



US00D550066S

(12) **United States Design Patent**  
**Sapir**

(10) **Patent No.:** **US D550,066 S**

(45) **Date of Patent:** **\*\* Sep. 4, 2007**

(54) **RETRACTOR MECHANISM**

(75) Inventor: **David Sapir**, Plymouth, MA (US)

(73) Assignee: **Sapir LLC**, Plymouth, MA (US)

(\*\*) Term: **14 Years**

(21) Appl. No.: **29/267,568**

(22) Filed: **Oct. 17, 2006**

(51) **LOC (8) Cl.** ..... **08-05**

(52) **U.S. Cl.** ..... **D8/356**

(58) **Field of Classification Search** ..... D8/382,  
D8/356, 354, 349, 105, 395, 394, 358; 242/916,  
242/600, 405.2, 405.1, 400.1, 177, 160.3,  
242/159, 118; 439/501; 24/561; 248/214,  
248/229.26, 316.7

See application file for complete search history.

(56) **References Cited**

**U.S. PATENT DOCUMENTS**

D480,942 S \* 10/2003 Ishida et al. .... D8/356  
D513,967 S \* 1/2006 Terrill et al. .... D8/356

\* cited by examiner

*Primary Examiner*—Robert M. Spear

*Assistant Examiner*—Susan Bennett Hattan

(74) *Attorney, Agent, or Firm*—Wolf Greenfield & Sacks

(57) **CLAIM**

The ornamental design for a retractor mechanism, as shown and described.

**DESCRIPTION**

FIG. 1 is a front view of the retractor mechanism;

FIG. 2 is a rear view thereof;

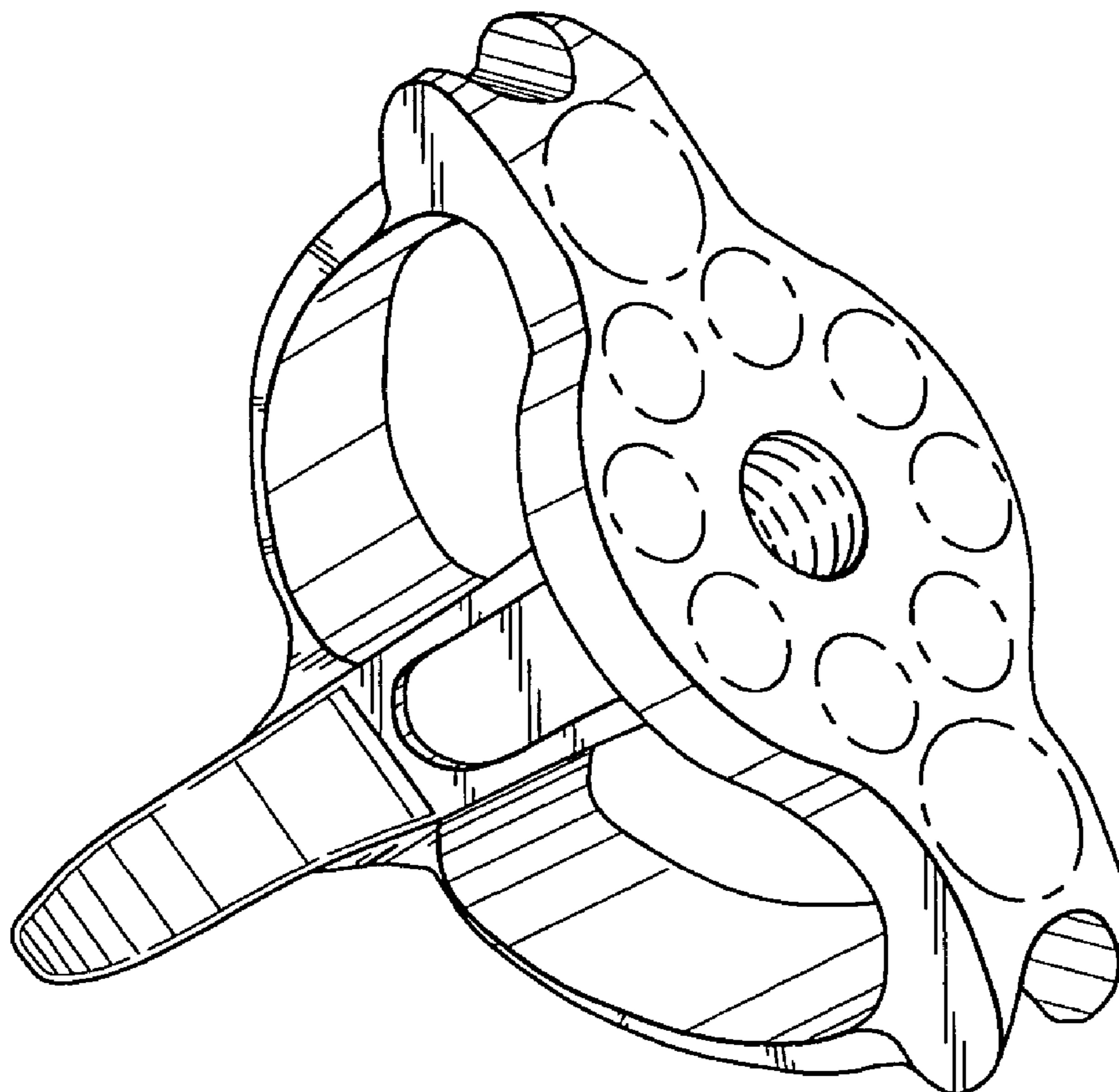
FIG. 3 is a left side view thereof, the right side view being a mirror image thereof,

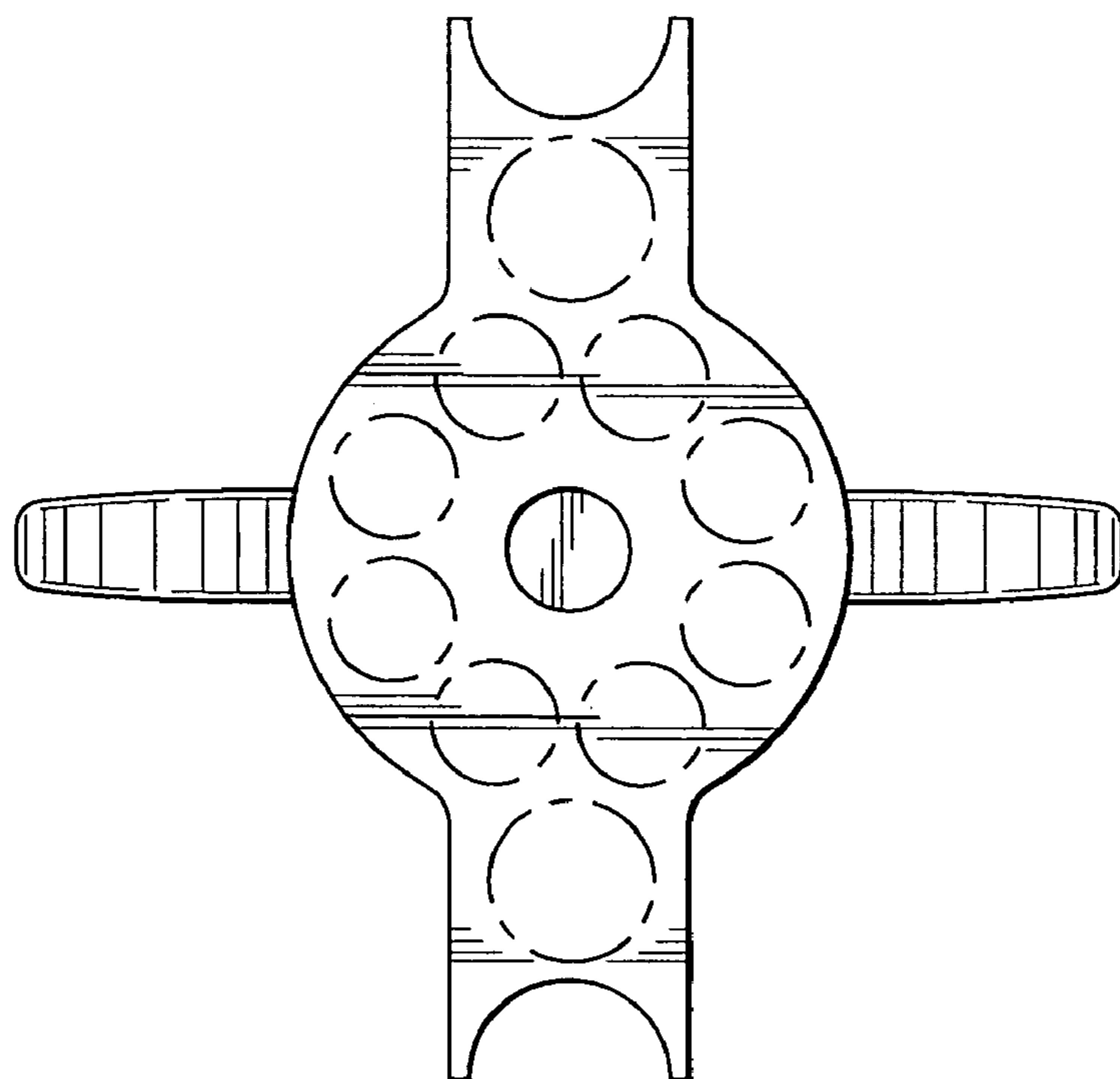
FIG. 4 is a top view thereof, the bottom side view being a mirror image thereof; and,

FIG. 5 is a front side perspective view of the retractor mechanism.

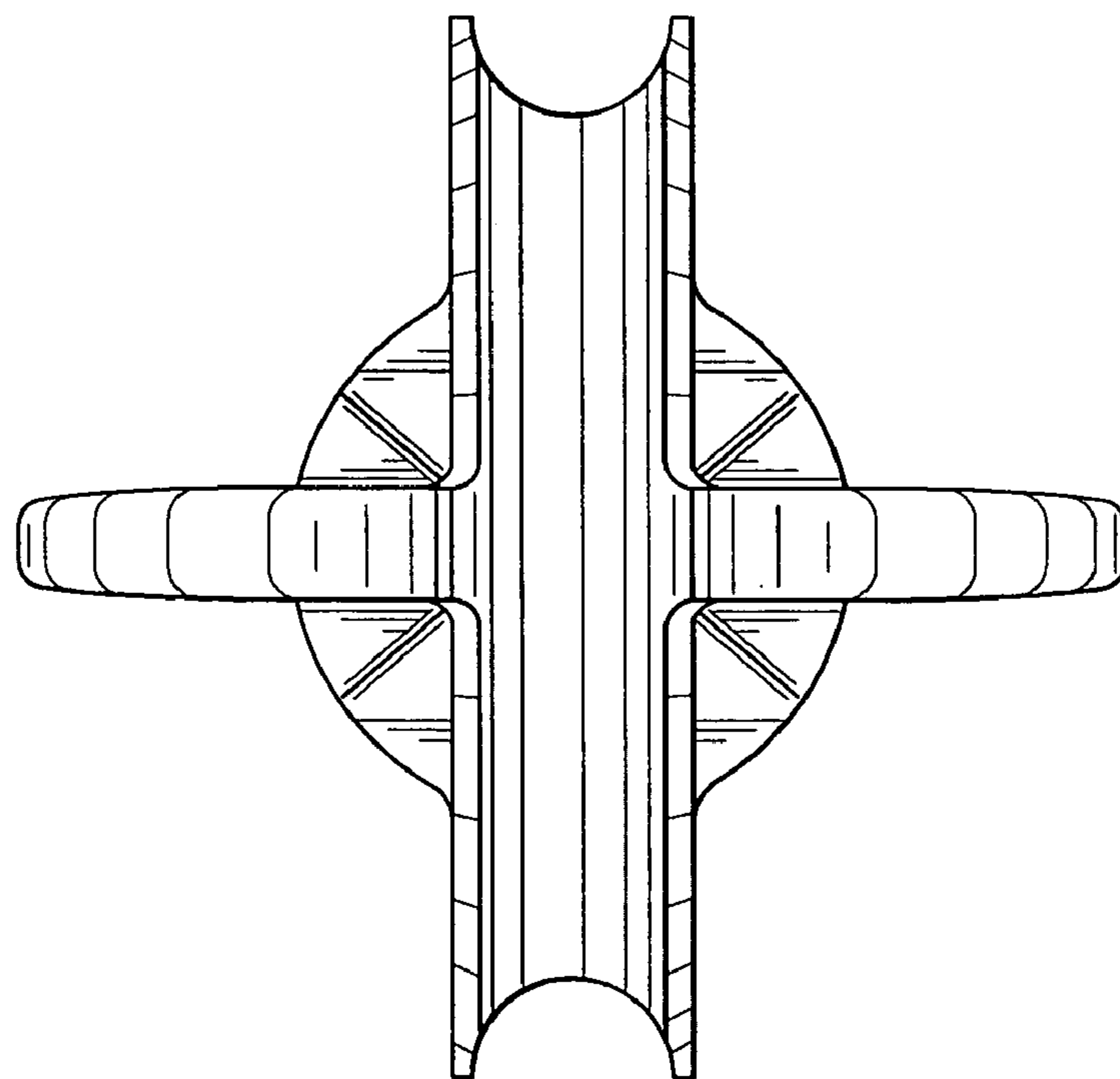
The broken lines are for illustrative purposes only and form no part of the claimed design.

**1 Claim, 3 Drawing Sheets**

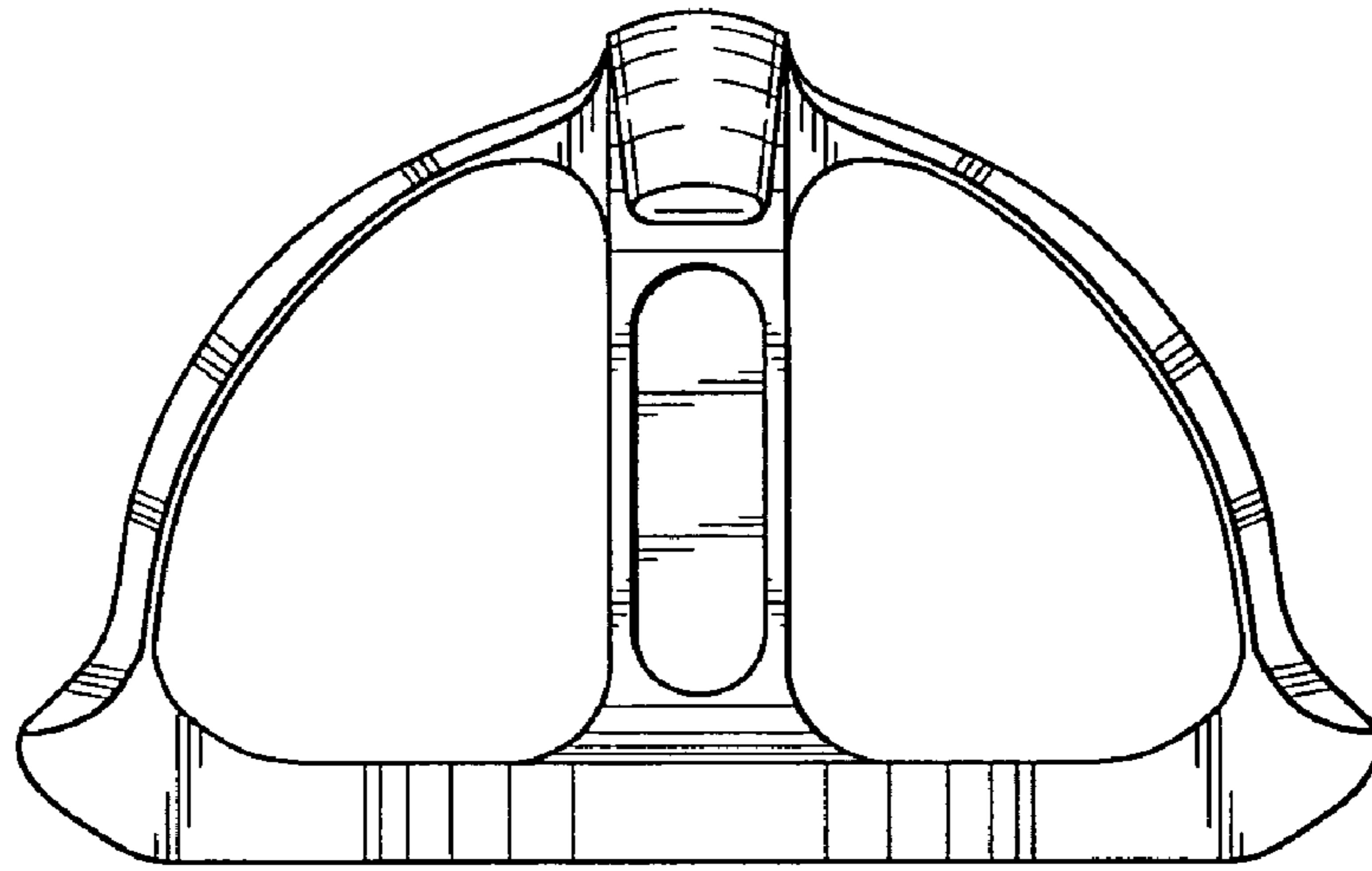




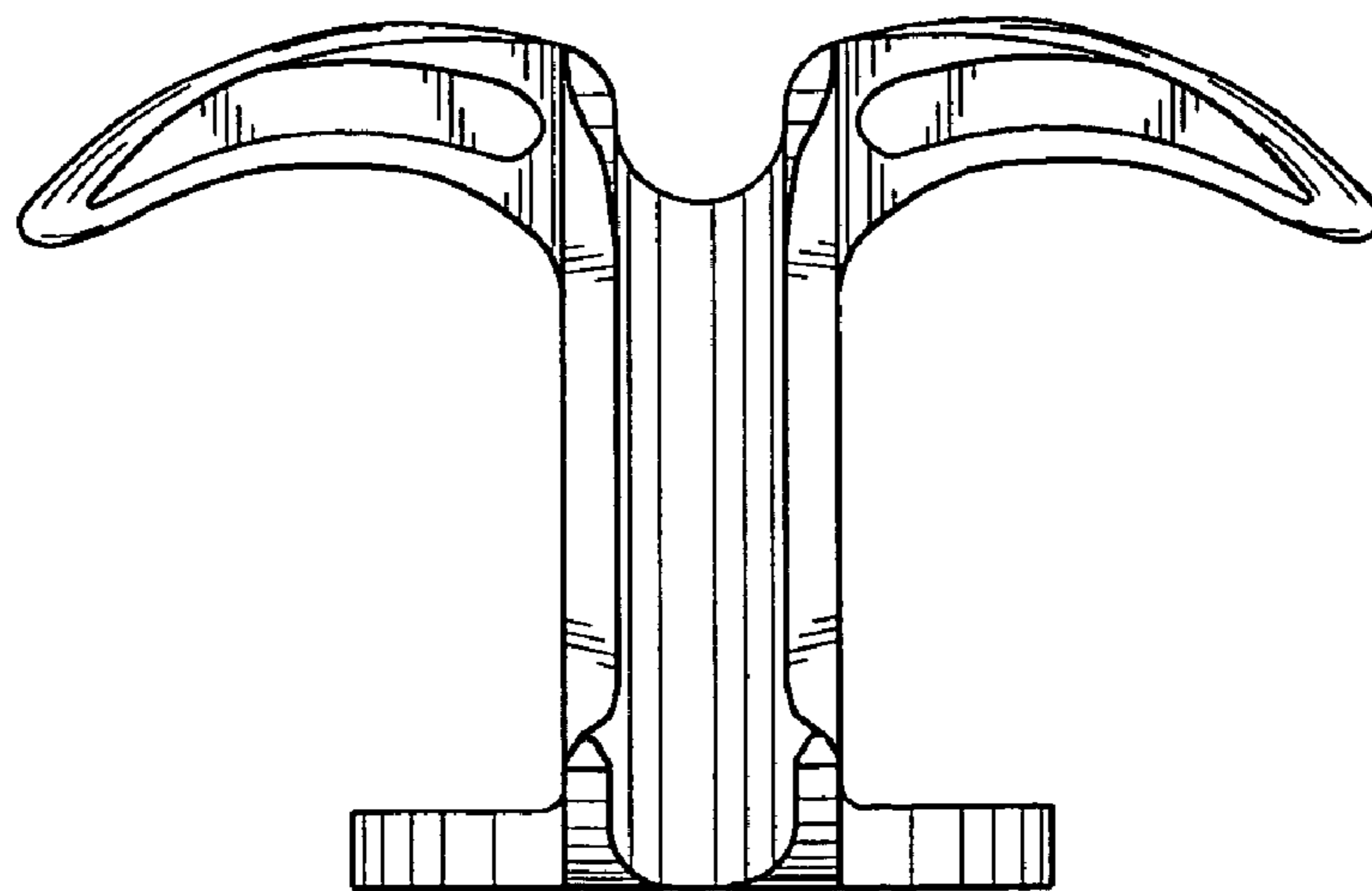
**FIG. 1**



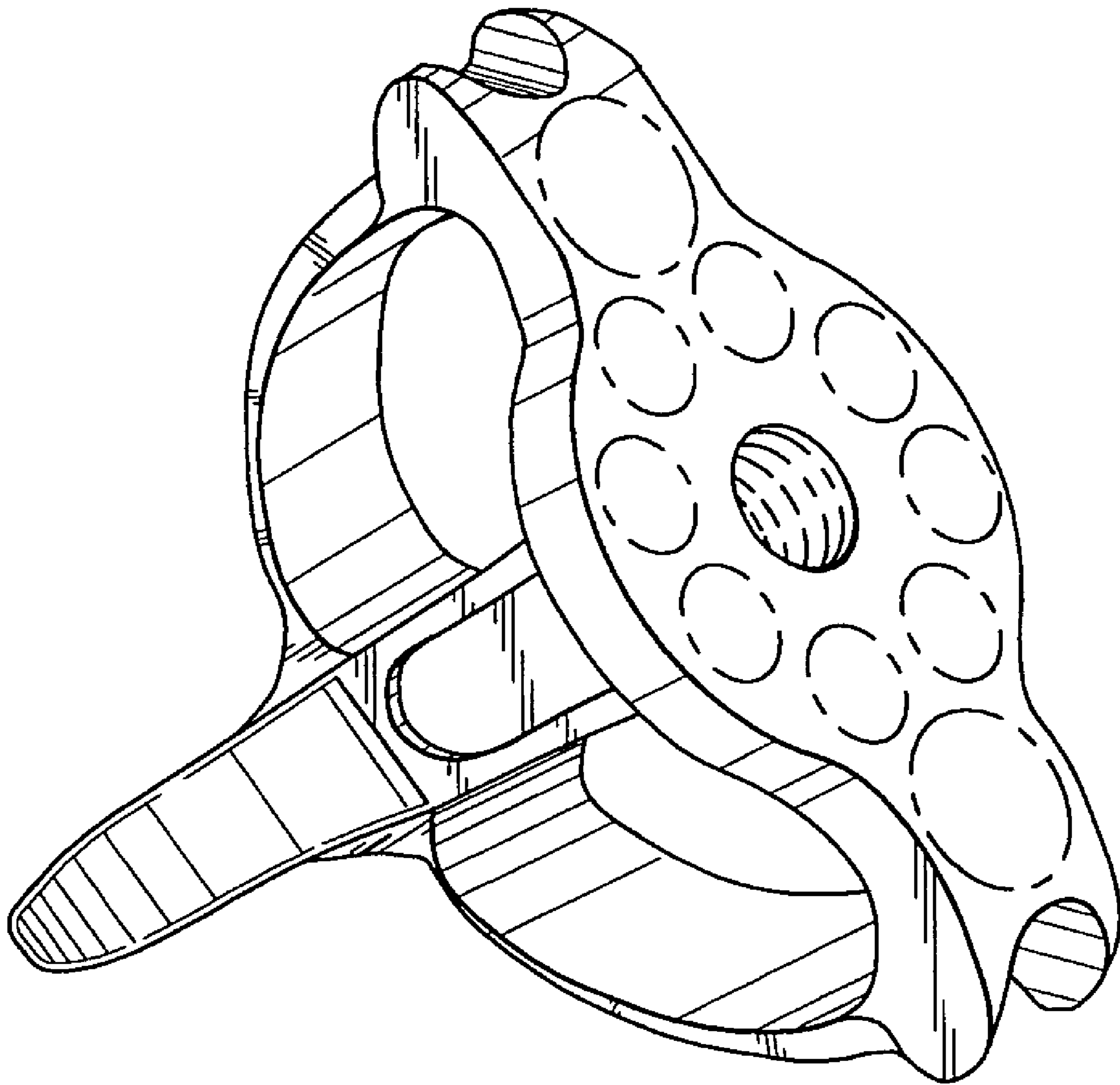
**FIG. 2**



**FIG. 3**



**FIG. 4**



**FIG. 5**