



US00D550064S

(12) **United States Design Patent**  
**Hoogendoorn**

(10) **Patent No.:** **US D550,064 S**

(45) **Date of Patent:** **\*\* Sep. 4, 2007**

(54) **DOOR CLOSER COVER**

D438,088 S \* 2/2001 Tomlinson ..... D8/330  
D439,131 S \* 3/2001 Bruno ..... D8/330

(75) Inventor: **John H. Hoogendoorn**, West Essendon (AU)

(73) Assignee: **ASSA ABLOY Australia Pty Limited**, Victoria (AU)

(\*\*) Term: **14 Years**

(21) Appl. No.: **29/237,071**

(22) Filed: **Aug. 25, 2005**

(30) **Foreign Application Priority Data**

Feb. 25, 2005 (AU) ..... 10741/2005

(51) **LOC (8) Cl.** ..... **08-07**

(52) **U.S. Cl.** ..... **D8/346**

(58) **Field of Classification Search** ..... D8/330-348  
See application file for complete search history.

(56) **References Cited**

U.S. PATENT DOCUMENTS

D428,793 S \* 8/2000 Bruno ..... D8/330

\* cited by examiner

*Primary Examiner*—Mitchell Siegel

(74) *Attorney, Agent, or Firm*—Taylor & Aust, P.C.

(57) **CLAIM**

The ornamental design for a door closer cover, as shown and described.

**DESCRIPTION**

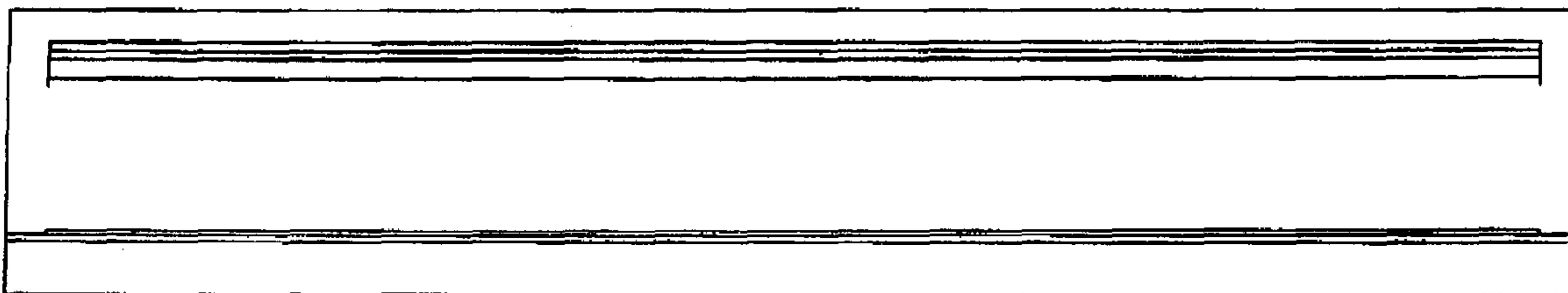
FIG. 1 is a top plan view of a door closer cover showing my new design;

FIG. 2 is a front view thereof;

FIG. 3 is a side view thereof, the opposite side view being identical; and,

FIG. 4 is a perspective view thereof.

**1 Claim, 2 Drawing Sheets**



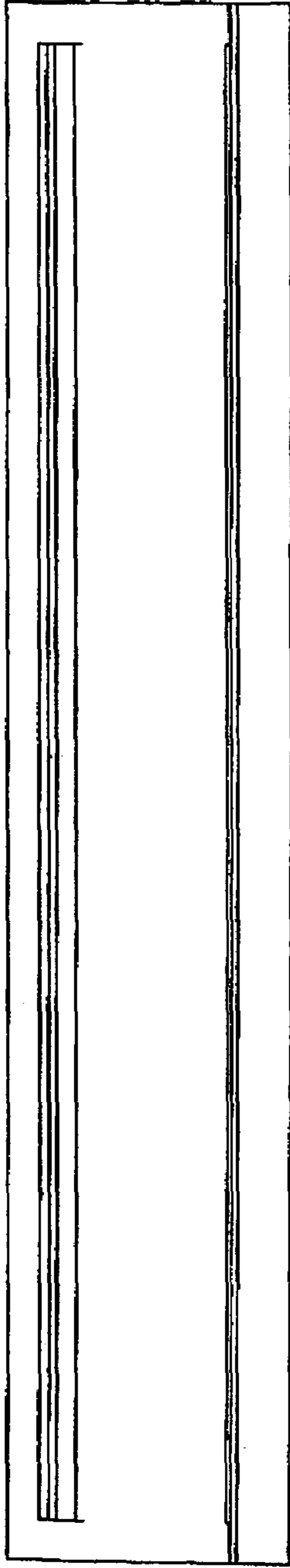


FIG 1

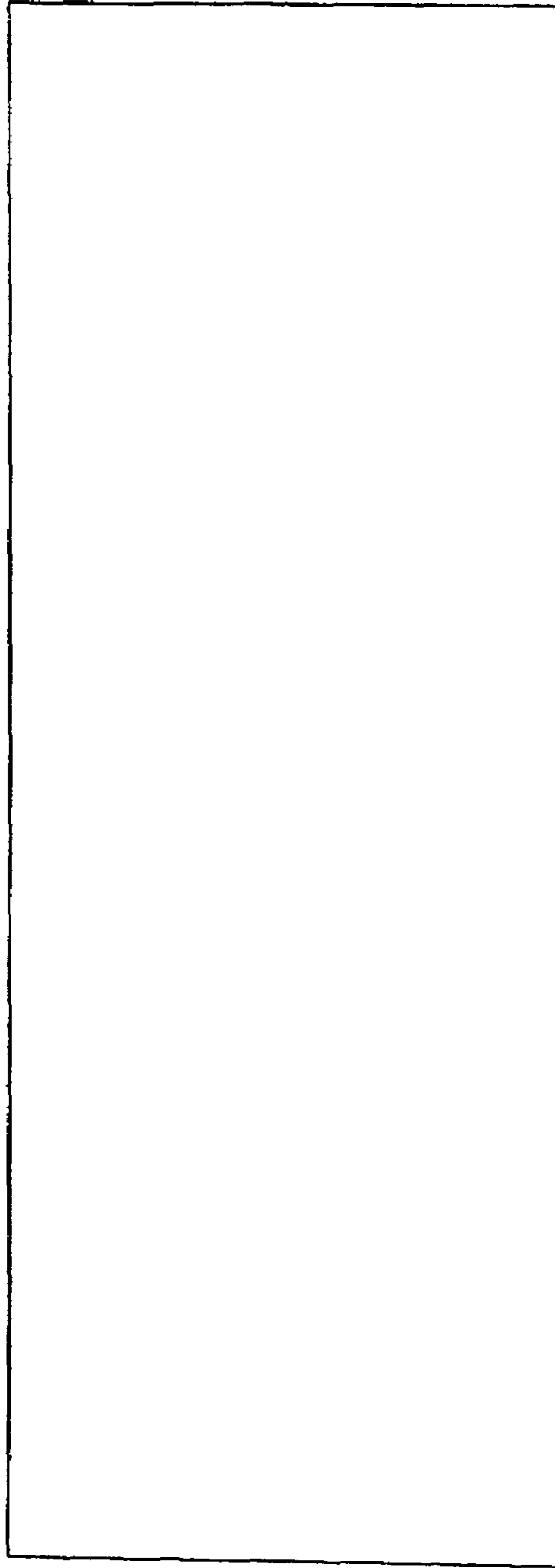


FIG 2

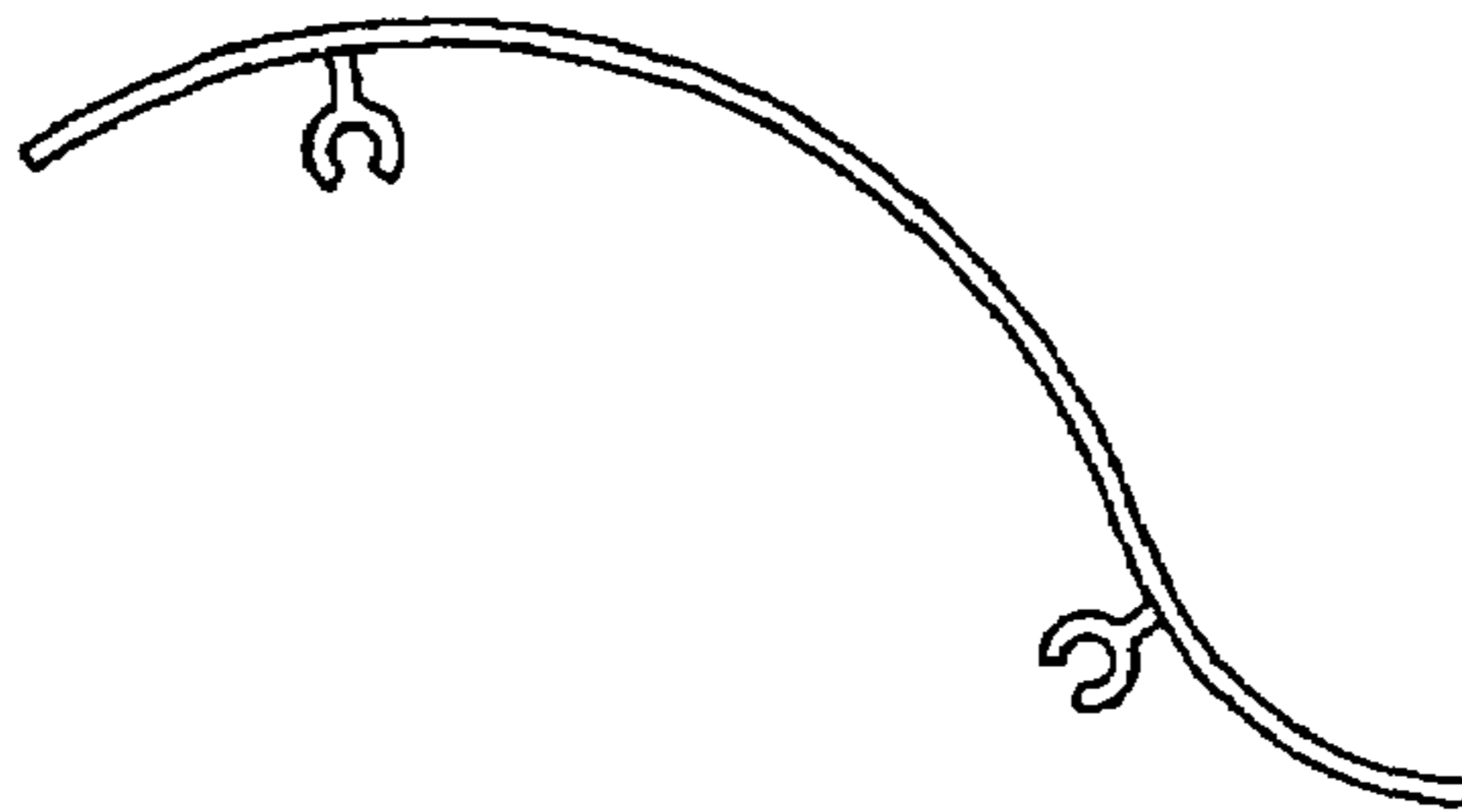


FIG 3

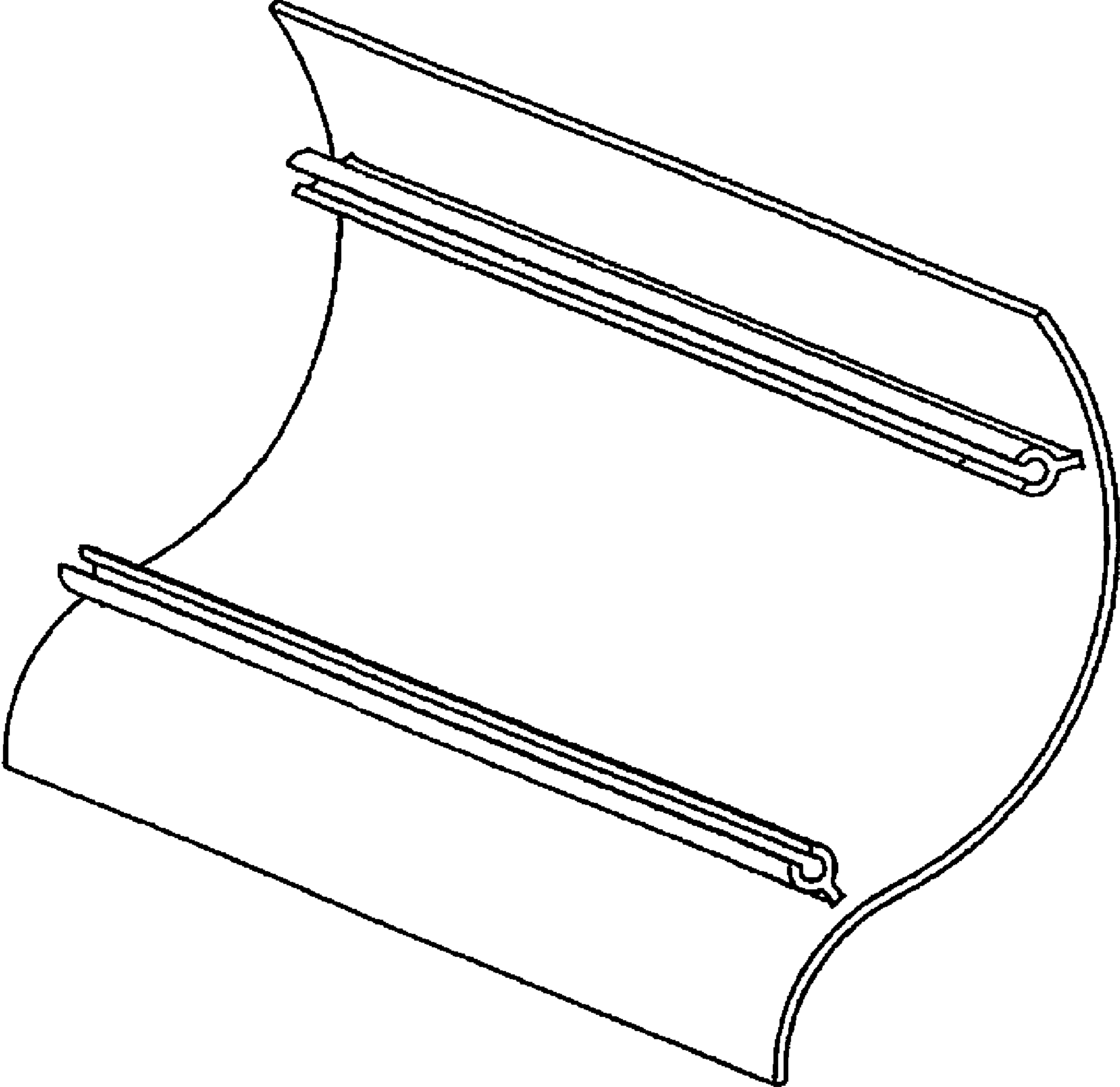


FIG 4

UNITED STATES PATENT AND TRADEMARK OFFICE  
**CERTIFICATE OF CORRECTION**

PATENT NO. : Des. 550,064 S  
APPLICATION NO. : 29/237071  
DATED : September 4, 2007  
INVENTOR(S) : Hoogendoorn

Page 1 of 1

It is certified that error appears in the above-identified patent and that said Letters Patent is hereby corrected as shown below:

On the Title Page, Item (30)

Under Foreign Application Priority Data, please delete "10741/2005", and substitute therefore --10742/2005--.

Signed and Sealed this

Nineteenth Day of August, 2008

A handwritten signature in black ink that reads "Jon W. Dudas". The signature is written in a cursive style with a large, looped initial "J".

JON W. DUDAS

*Director of the United States Patent and Trademark Office*