



US00D550061S

(12) **United States Design Patent** (10) **Patent No.:** **US D550,061 S**
Tang (45) **Date of Patent:** **** Sep. 4, 2007**

(54) **SECUREMENT APPARATUS**

(76) Inventor: **Gordon Tang**, 13 Diamond "S" Ranch,
Bellevue, WA (US) 98004

(**) Term: **14 Years**

(21) Appl. No.: **29/256,420**

(22) Filed: **Mar. 20, 2006**

(51) **LOC (8) Cl.** **08-07**

(52) **U.S. Cl.** **D8/330; D8/323**

(58) **Field of Classification Search** D8/330-348,
D8/323, 327, 329; 16/50, 221, 234, 235,
16/286, 254, 385-392

See application file for complete search history.

(56) **References Cited**

U.S. PATENT DOCUMENTS

D183,261 S *	7/1958	Mink	D8/327
6,553,966 B2 *	4/2003	Cornell et al.	123/446
D497,533 S *	10/2004	Wegman	D8/323

* cited by examiner

Primary Examiner—Mitchell Siegel

(74) *Attorney, Agent, or Firm*—Robert M. Storwich

(57) **CLAIM**

The ornamental design for a securement apparatus, as shown and described.

DESCRIPTION

FIG. 1 is a perspective view showing my new design in a disengaged position;

FIG. 2 is a front view of my new design in the disengaged position;

FIG. 3 is a rear view of my new design in the disengaged position;

FIG. 4 is a left side elevational view of my new design in the disengaged position;

FIG. 5 is a right side elevational view of my new design in the disengaged position;

FIG. 6 is a top view of my new design in the disengaged position;

FIG. 7 is a bottom view of my new design in the disengaged position;

FIG. 8 is a perspective view showing my new design in an engaged, but unopened, position;

FIG. 9 is a front view of my new design in the engaged, but unopened, position;

FIG. 10 is a rear view of my new design in the engaged, but unopened, position;

FIG. 11 is a left side elevational view of my new design in the engaged, but unopened, position;

FIG. 12 is a right side elevational view of my new design in the engaged, but unopened, position;

FIG. 13 is a top view of my new design in the engaged, but unopened, position;

FIG. 14 is a bottom view of my new design in the engaged, but unopened, position.

FIG. 15 is a perspective view showing my new design in an engaged, and partially opened, position;

FIG. 16 is a front view of my new design in the engaged, but unopened, position;

FIG. 17 is a rear view of my new design in the engaged, and partially opened, position;

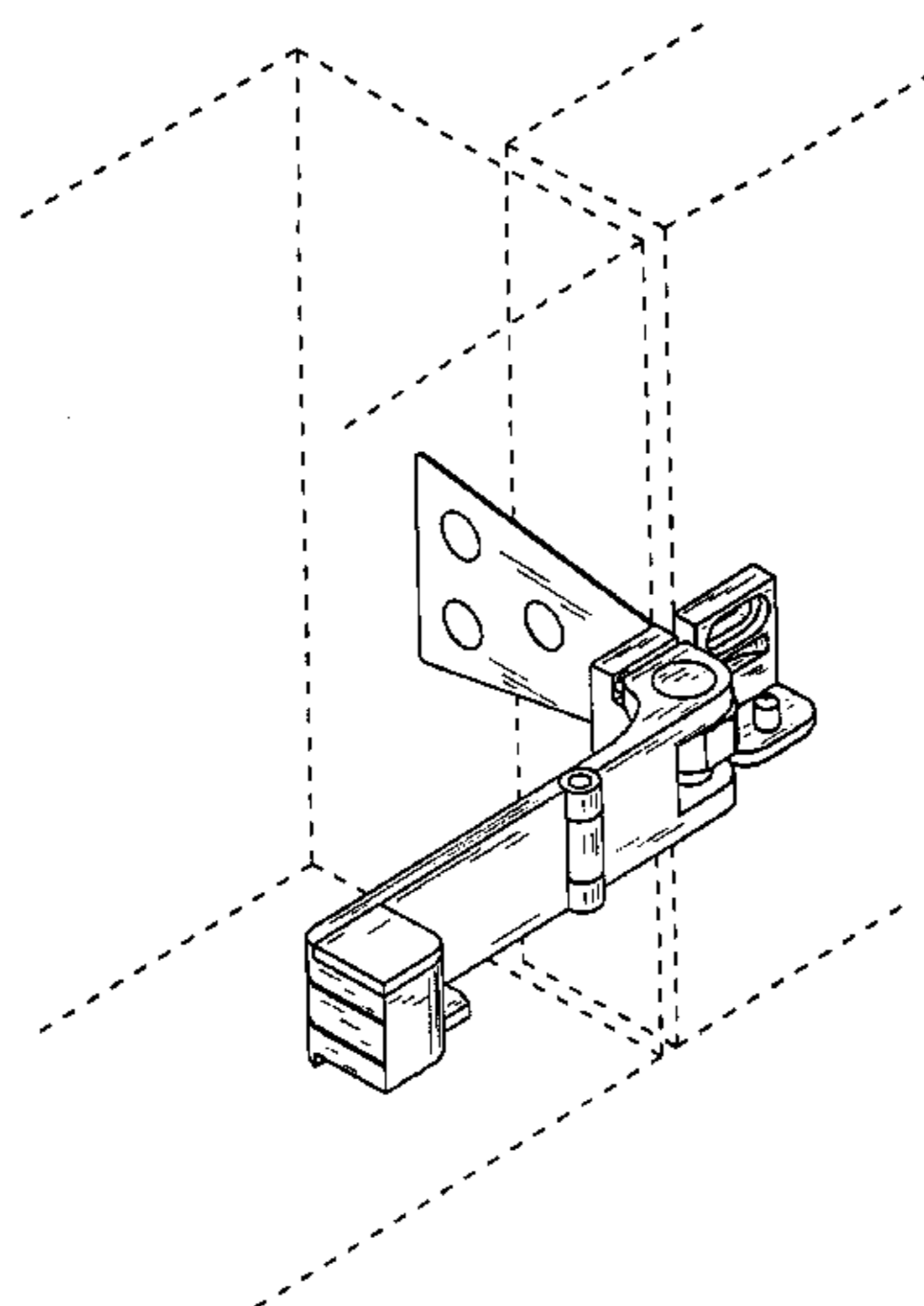
FIG. 18 is a left side elevational view of my new design in the engaged, and partially opened, position;

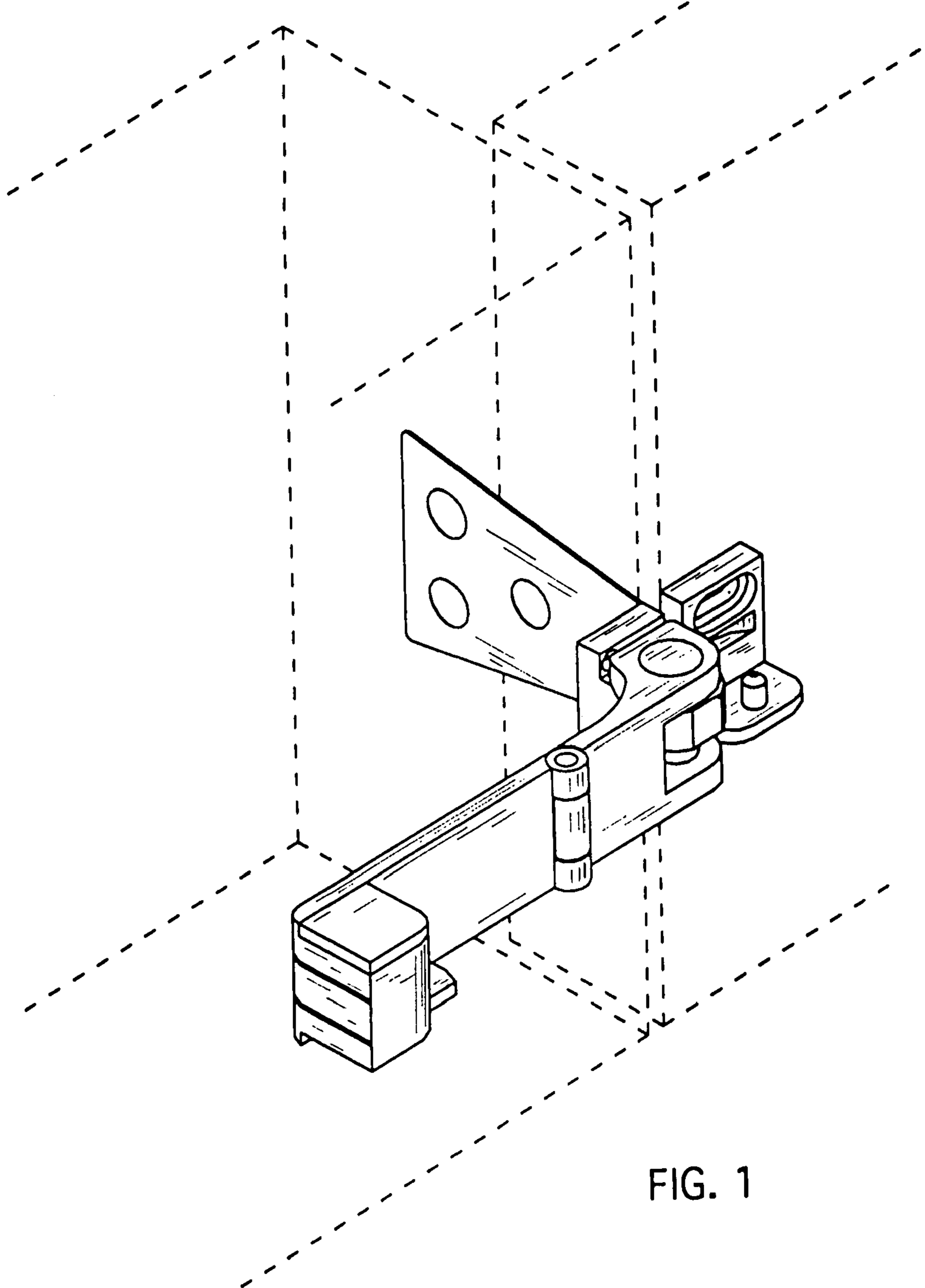
FIG. 19 is a right side elevational view of my new design in the engaged, and partially opened, position;

FIG. 20 is a top view of my new design in the engaged, and partially opened, position; and,

FIG. 21 is a bottom view of my new design in the engaged, and partially opened, position.

1 Claim, 19 Drawing Sheets





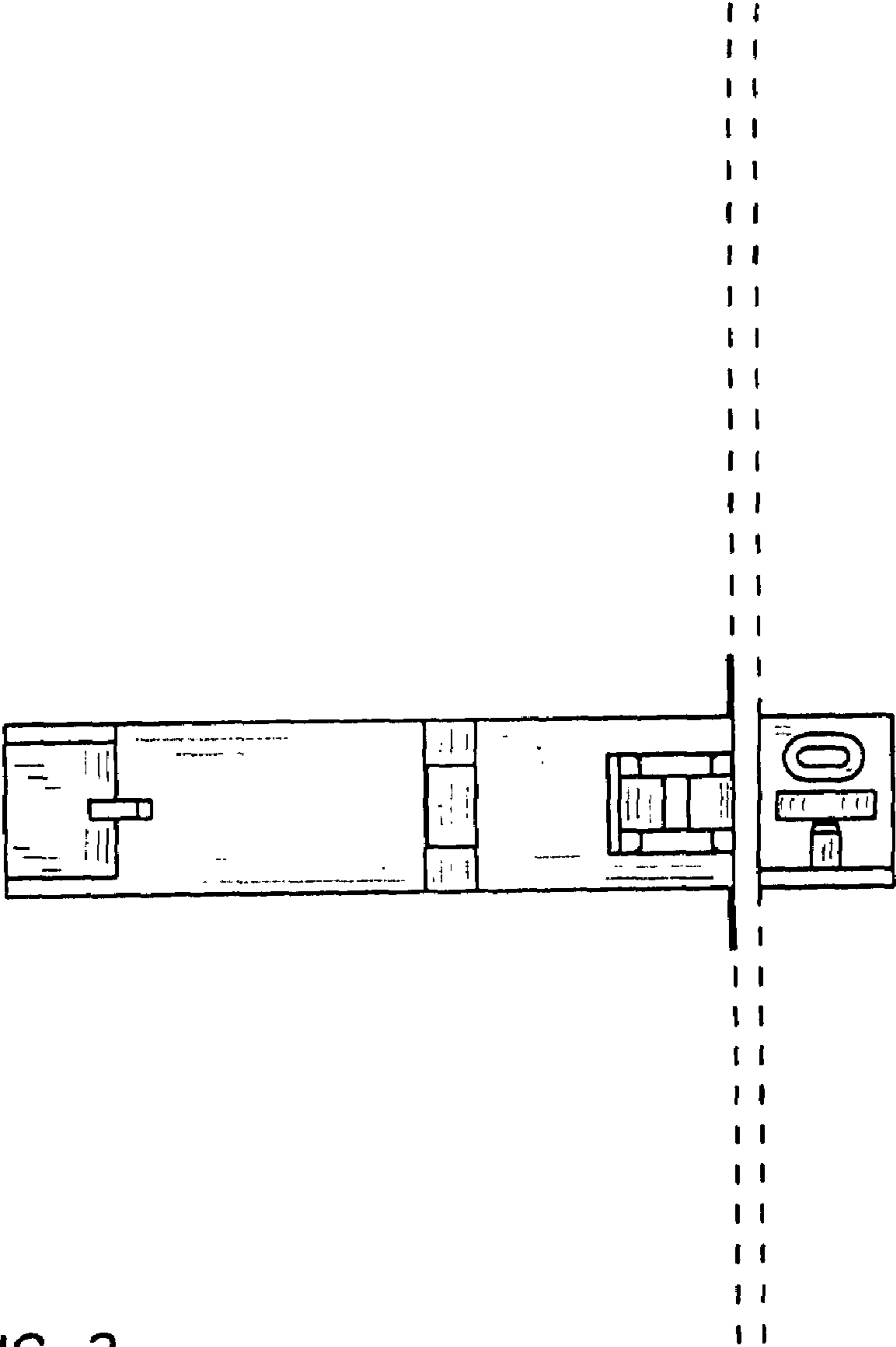


FIG. 2

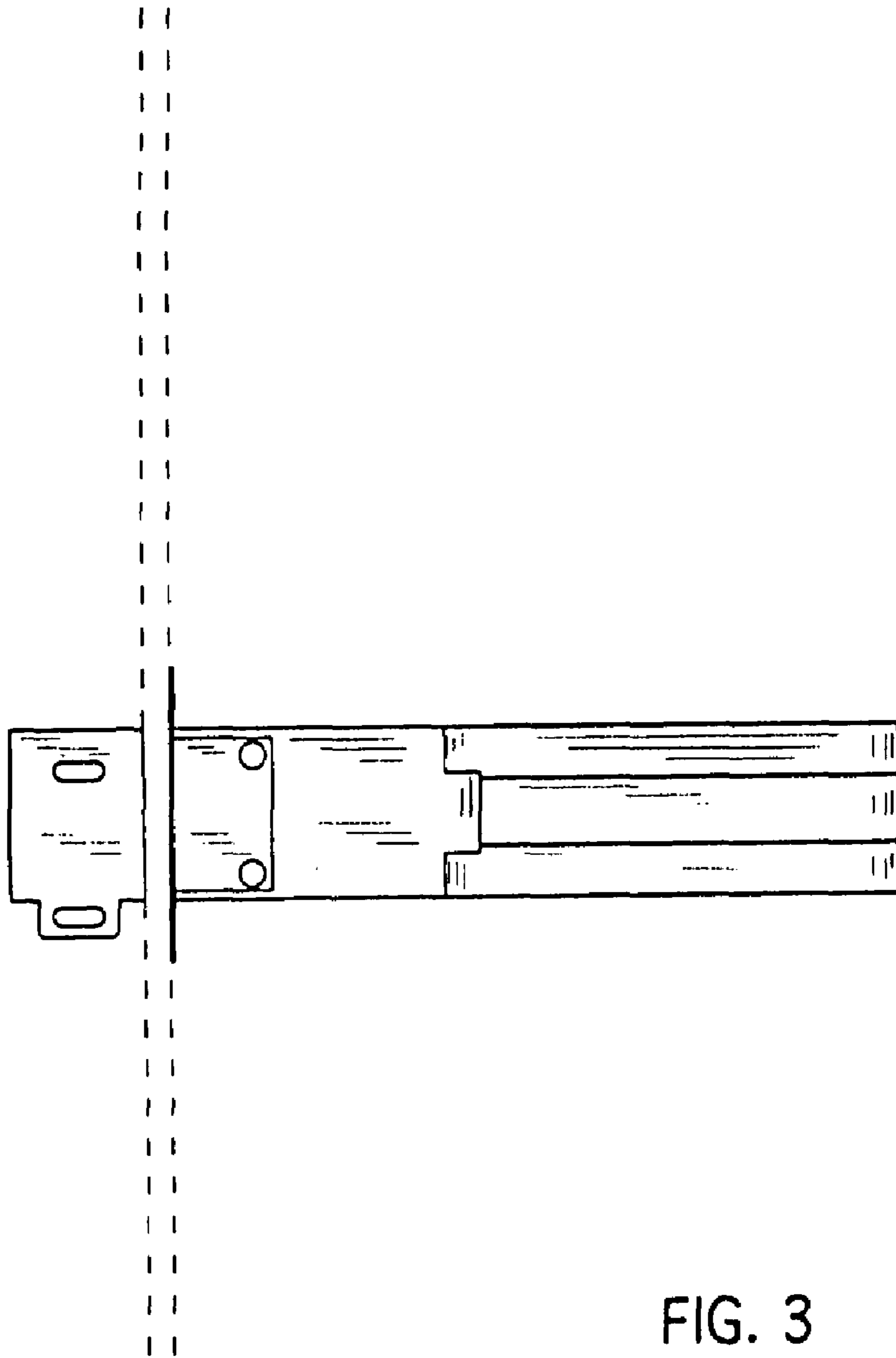


FIG. 3

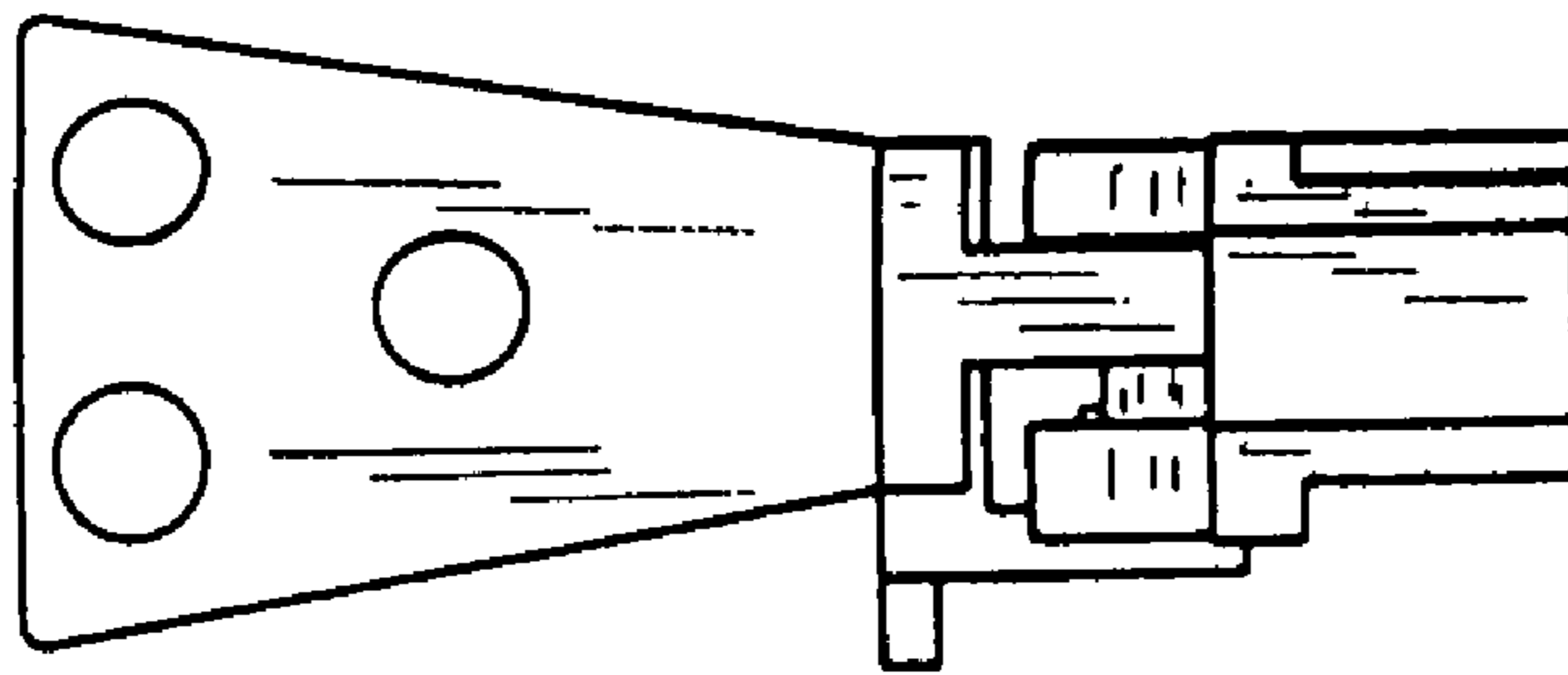


FIG. 4

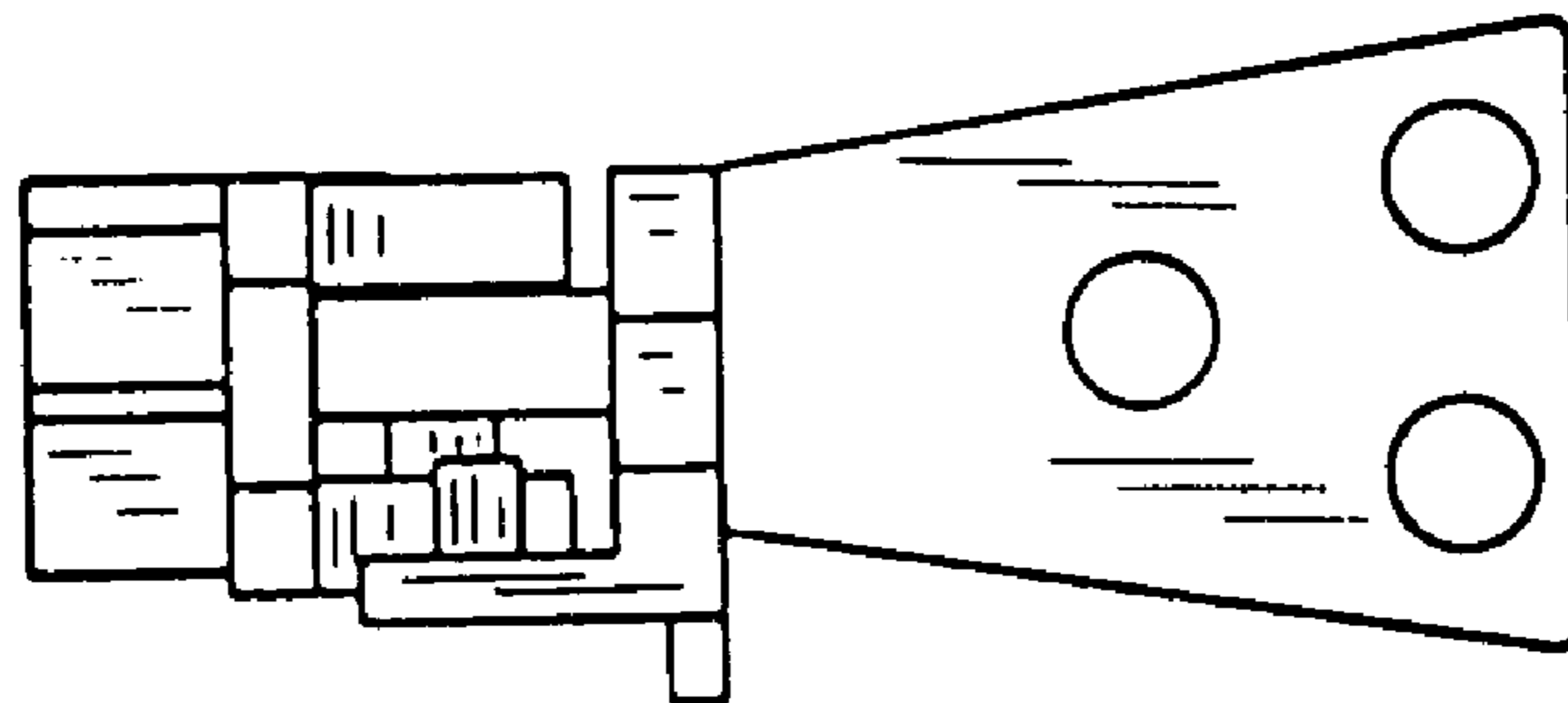


FIG. 5

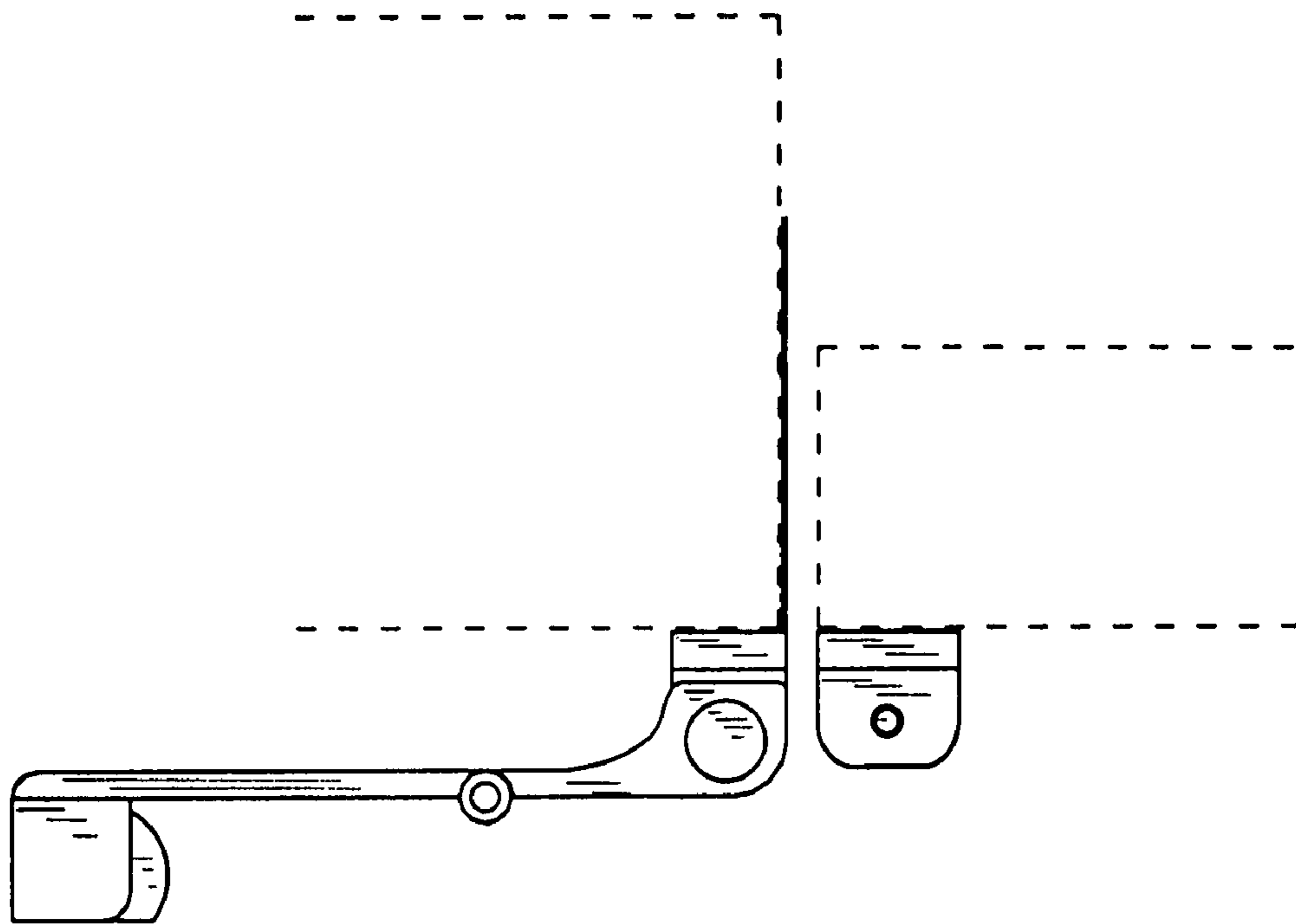


FIG. 6

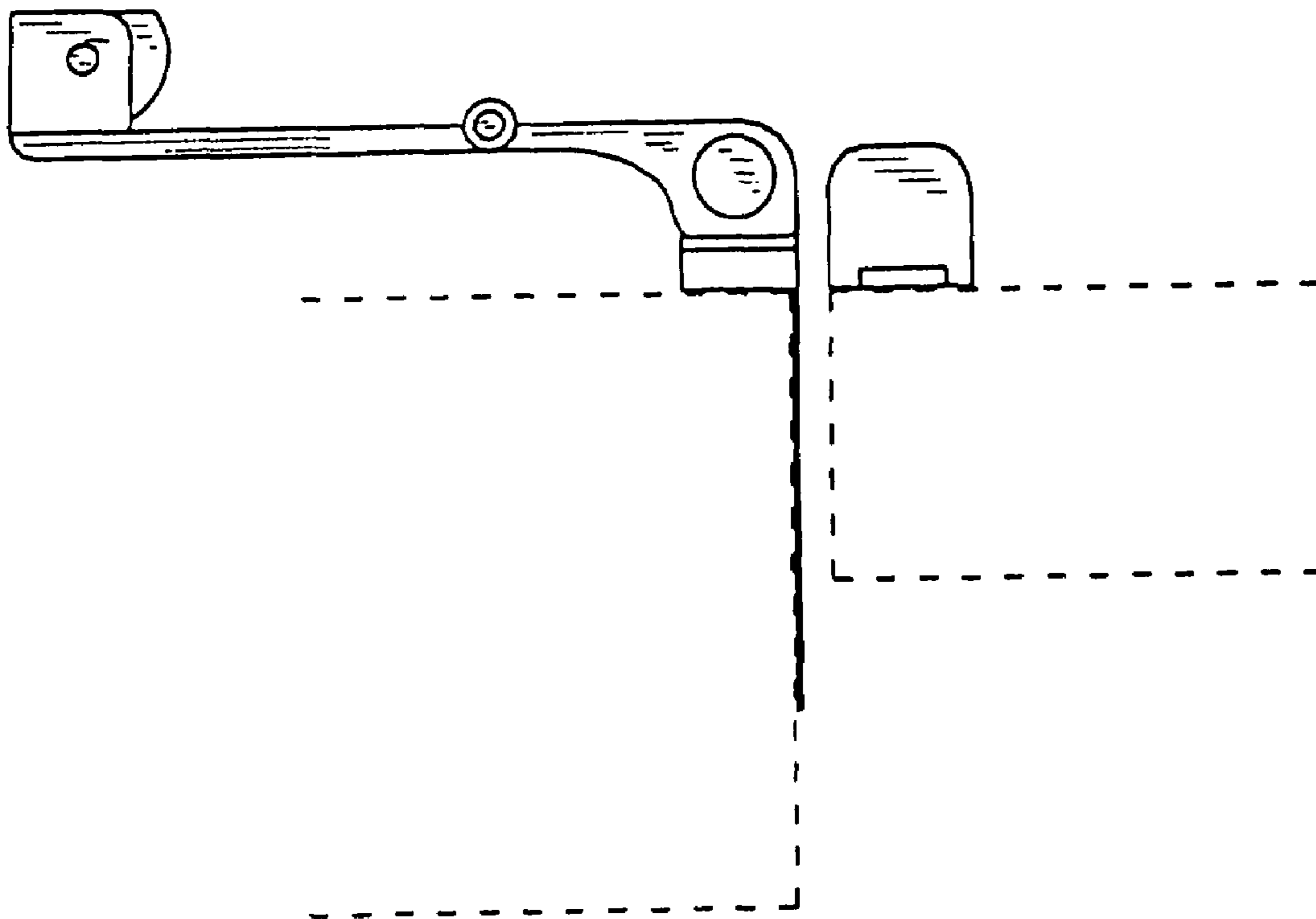


FIG. 7

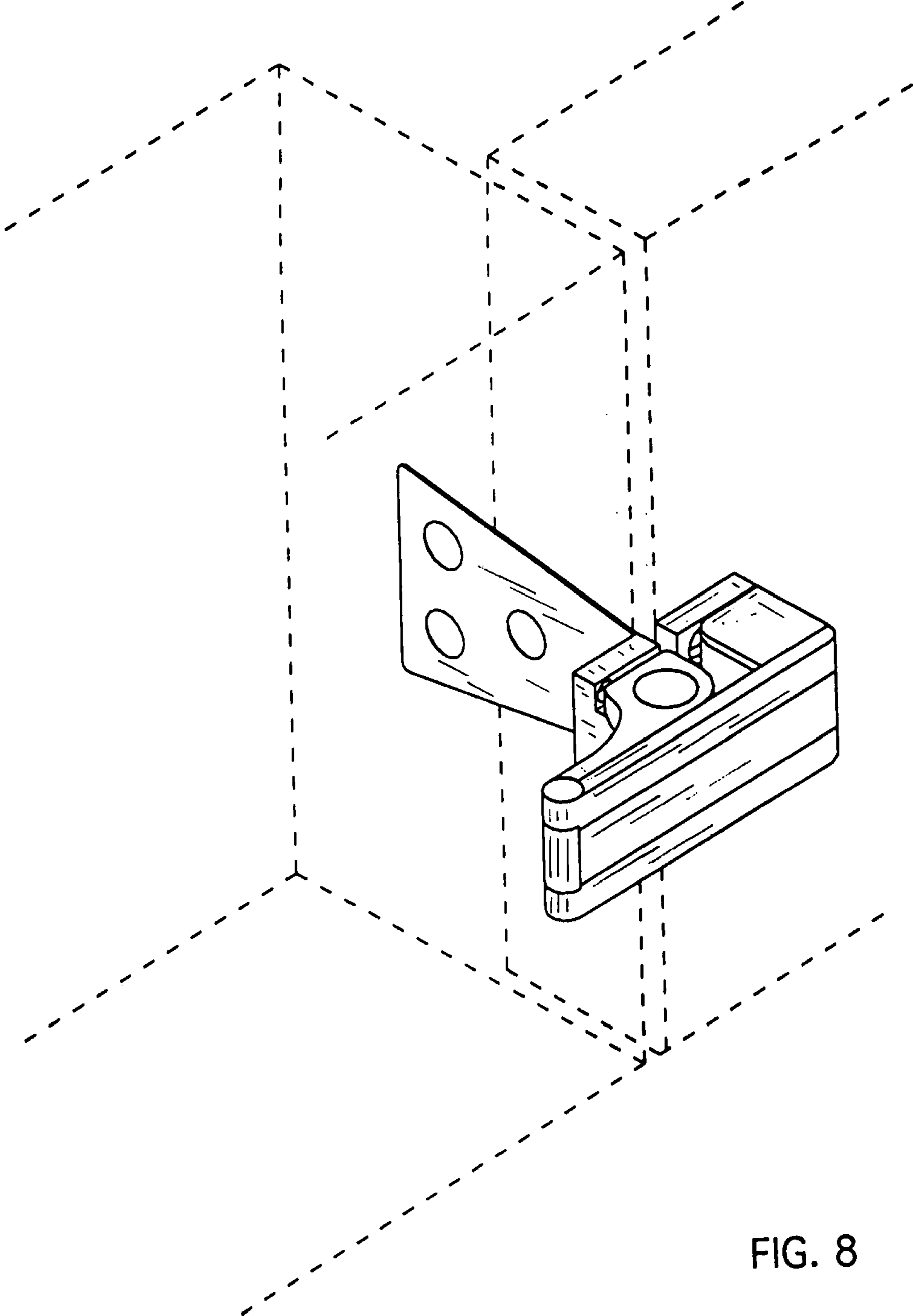


FIG. 8

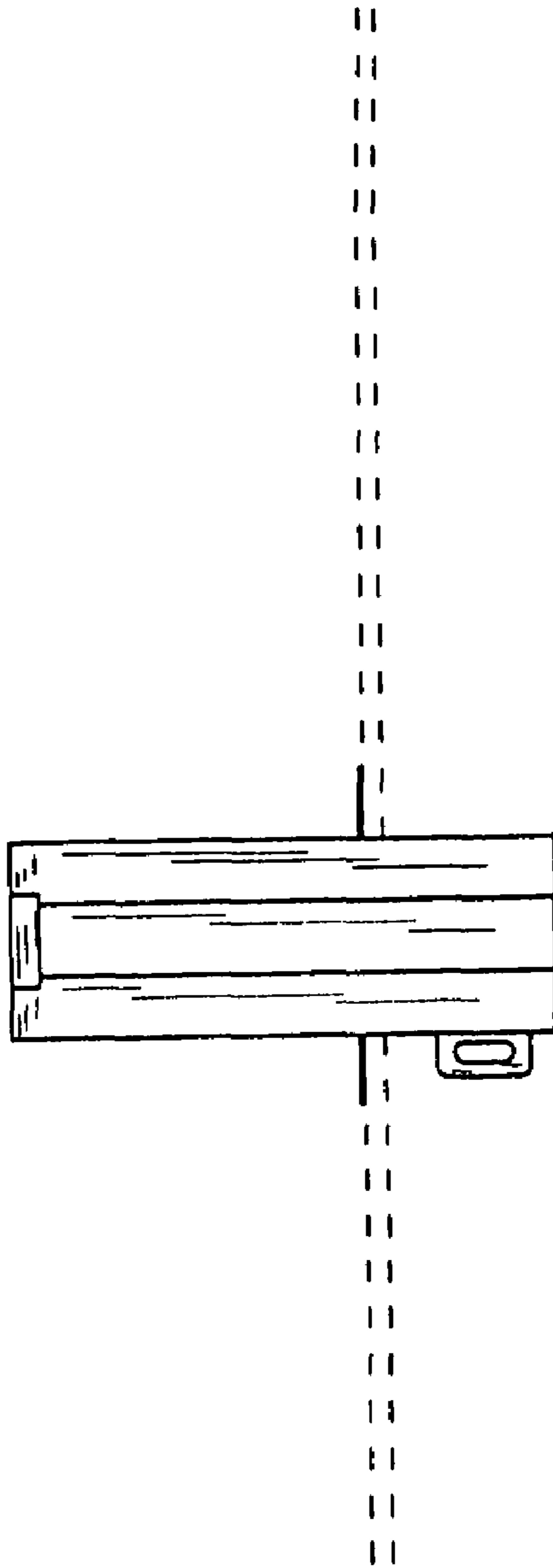


FIG. 9

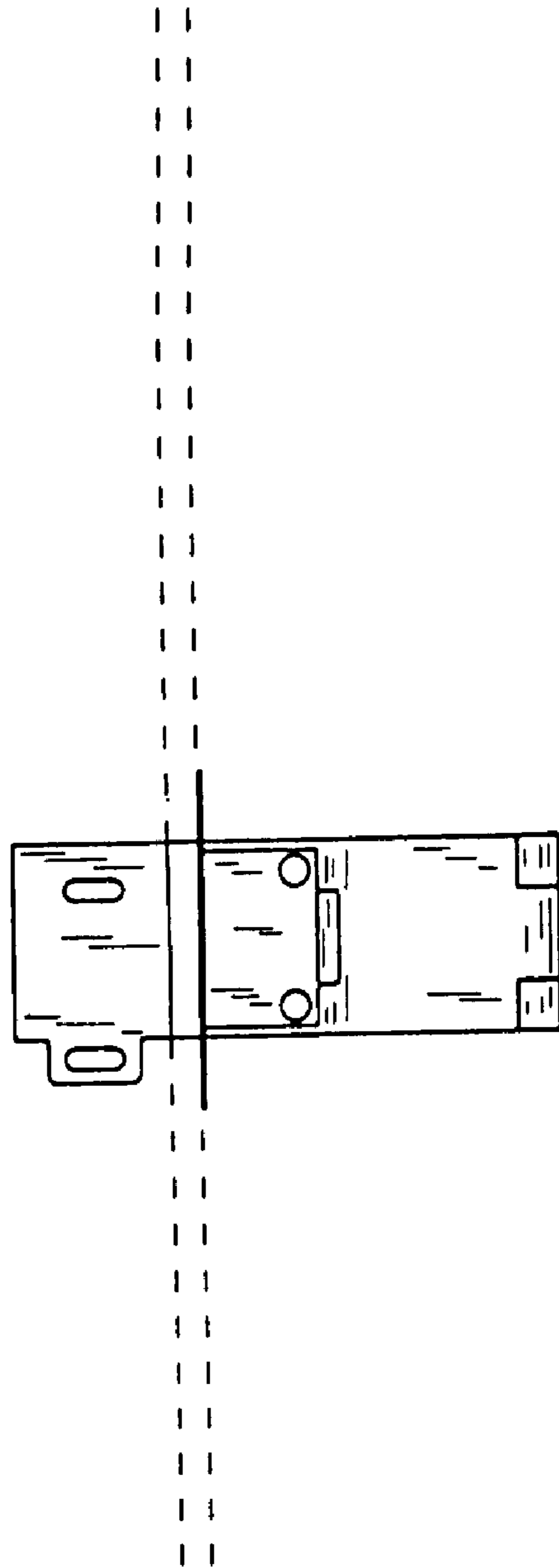


FIG. 10

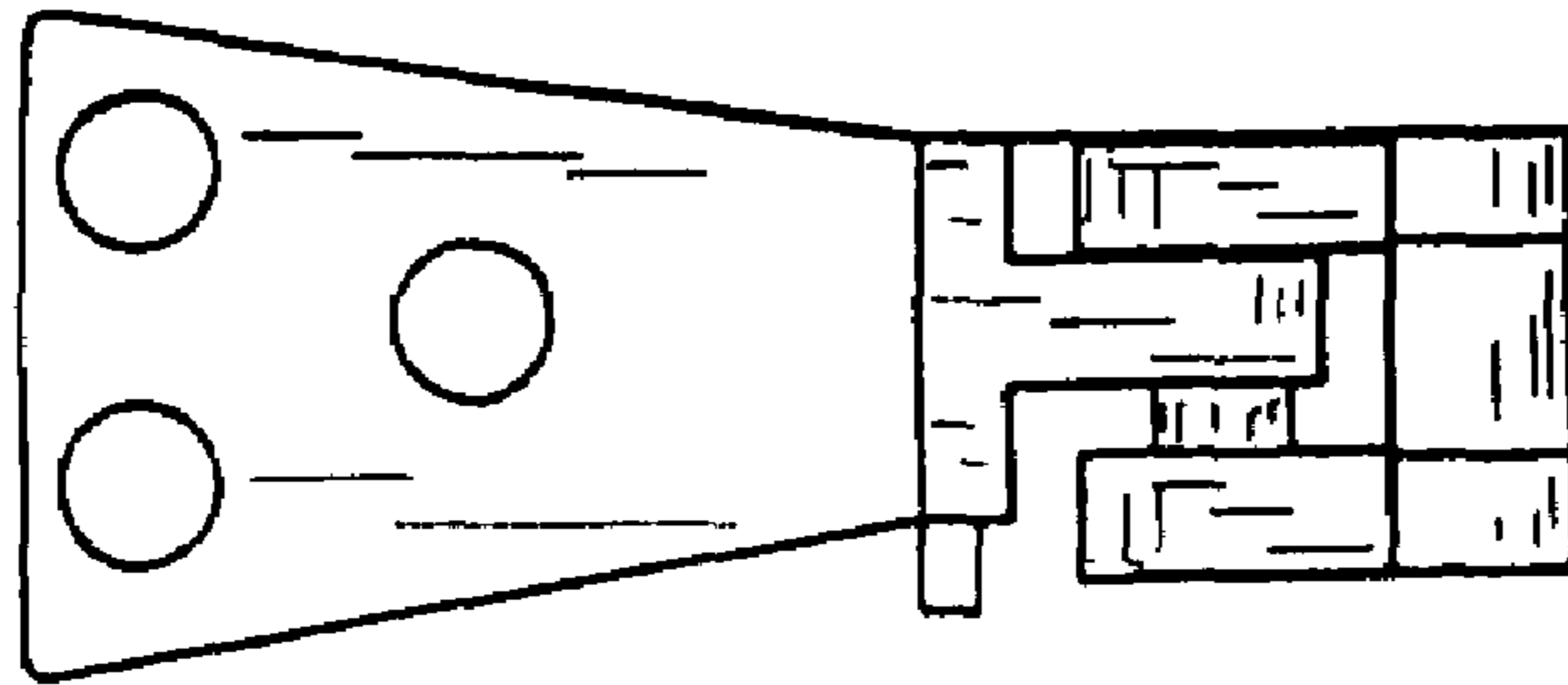


FIG. 11

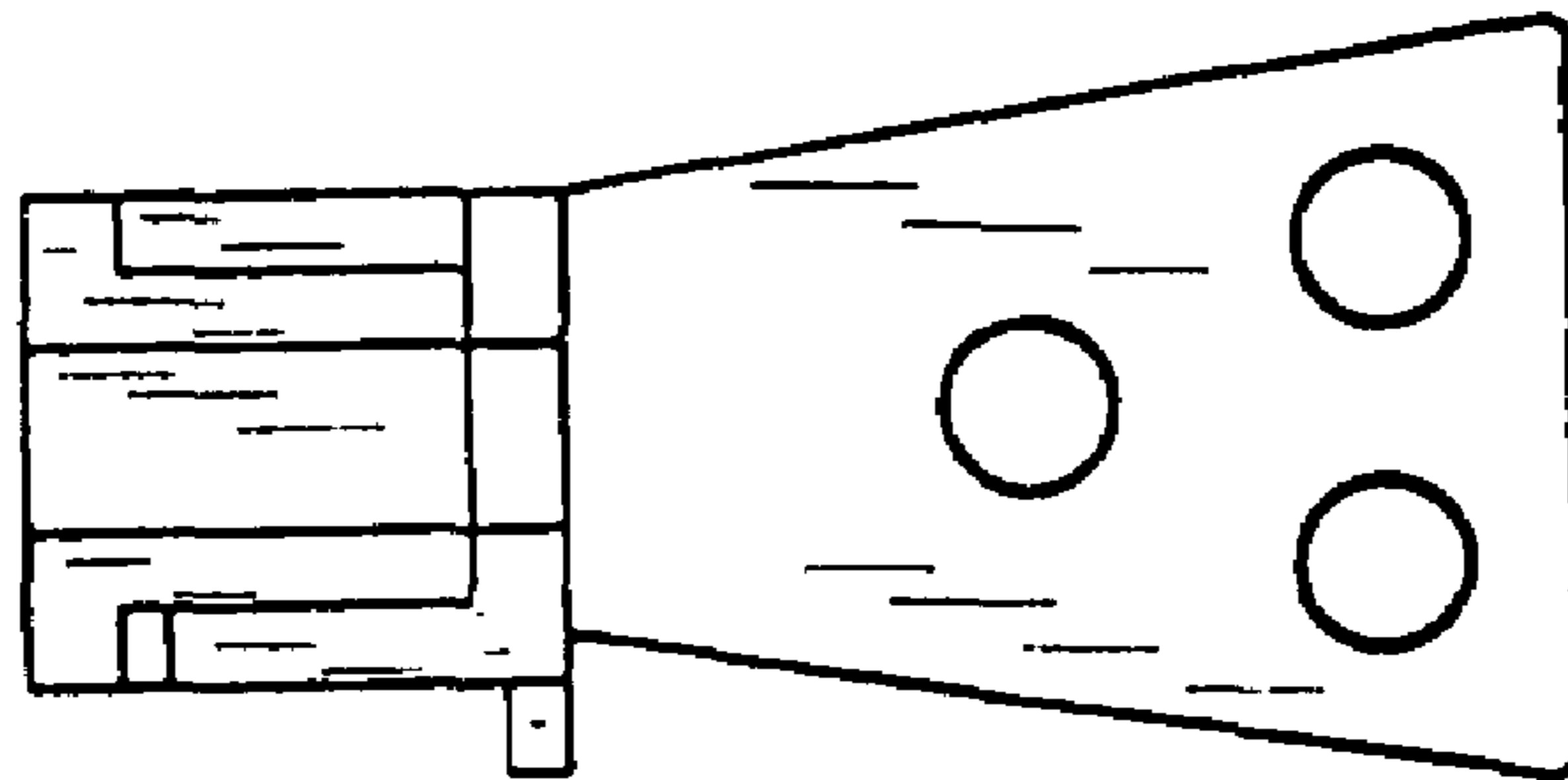
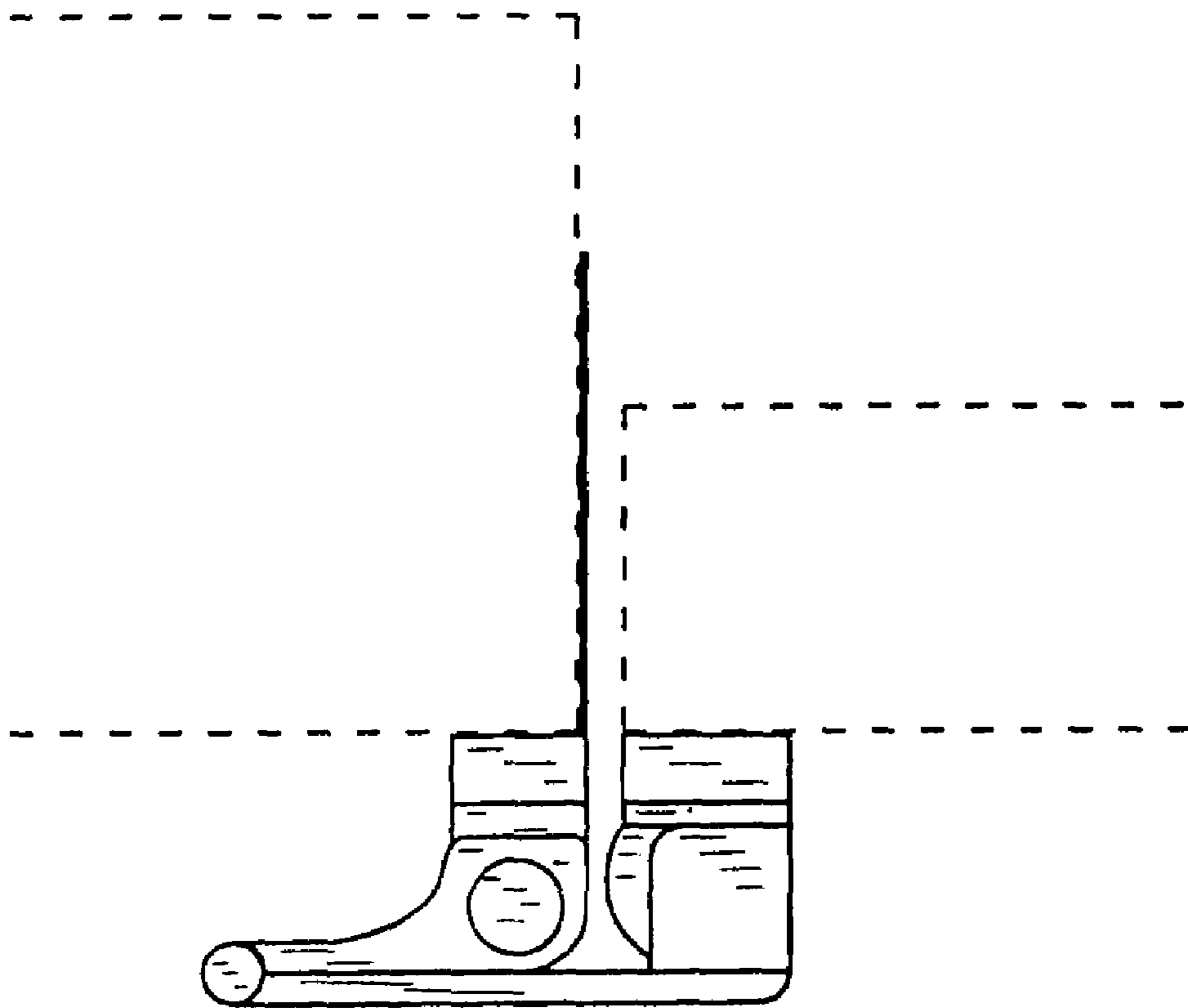


FIG. 12

FIG. 13



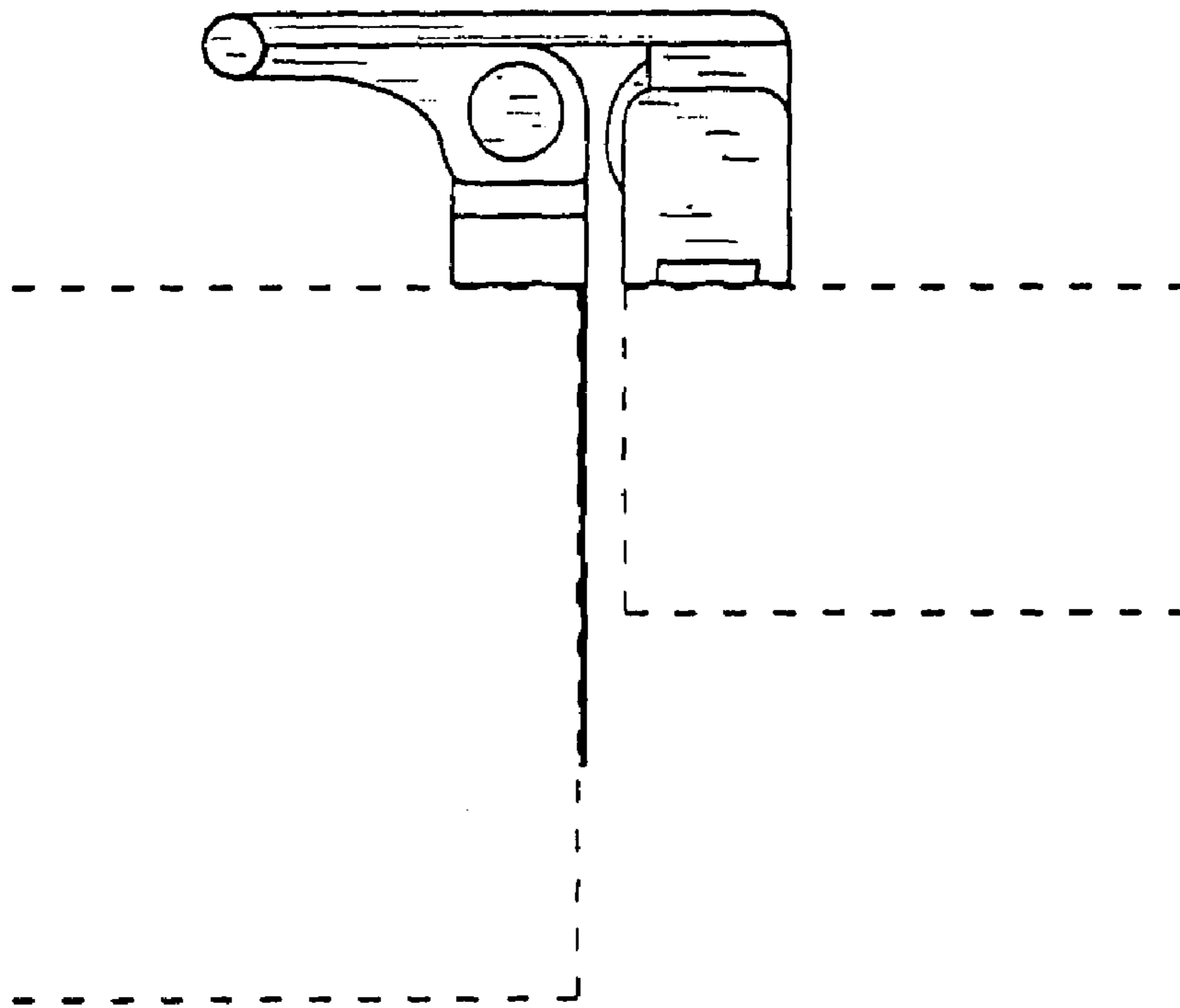


FIG. 14

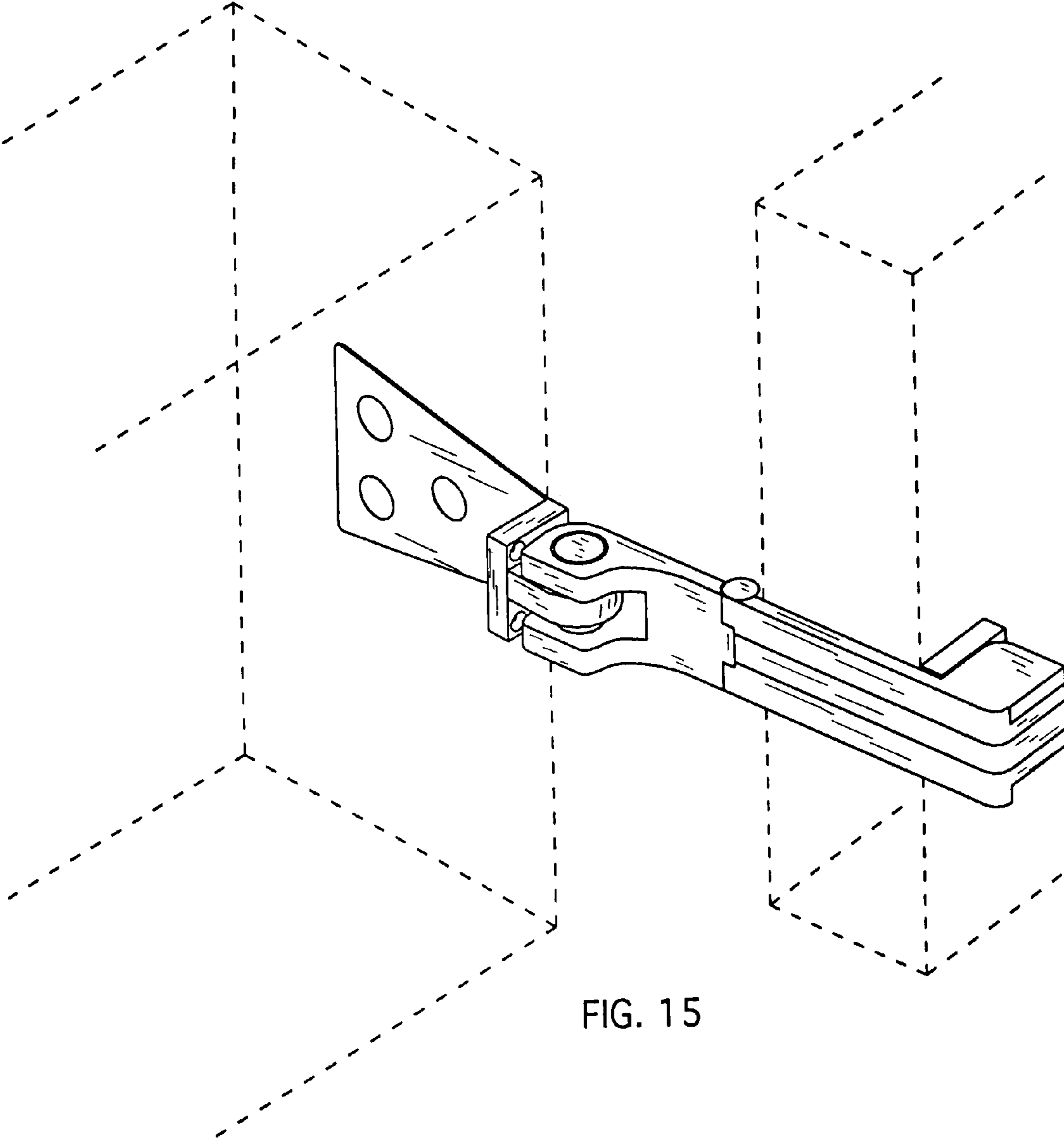


FIG. 15

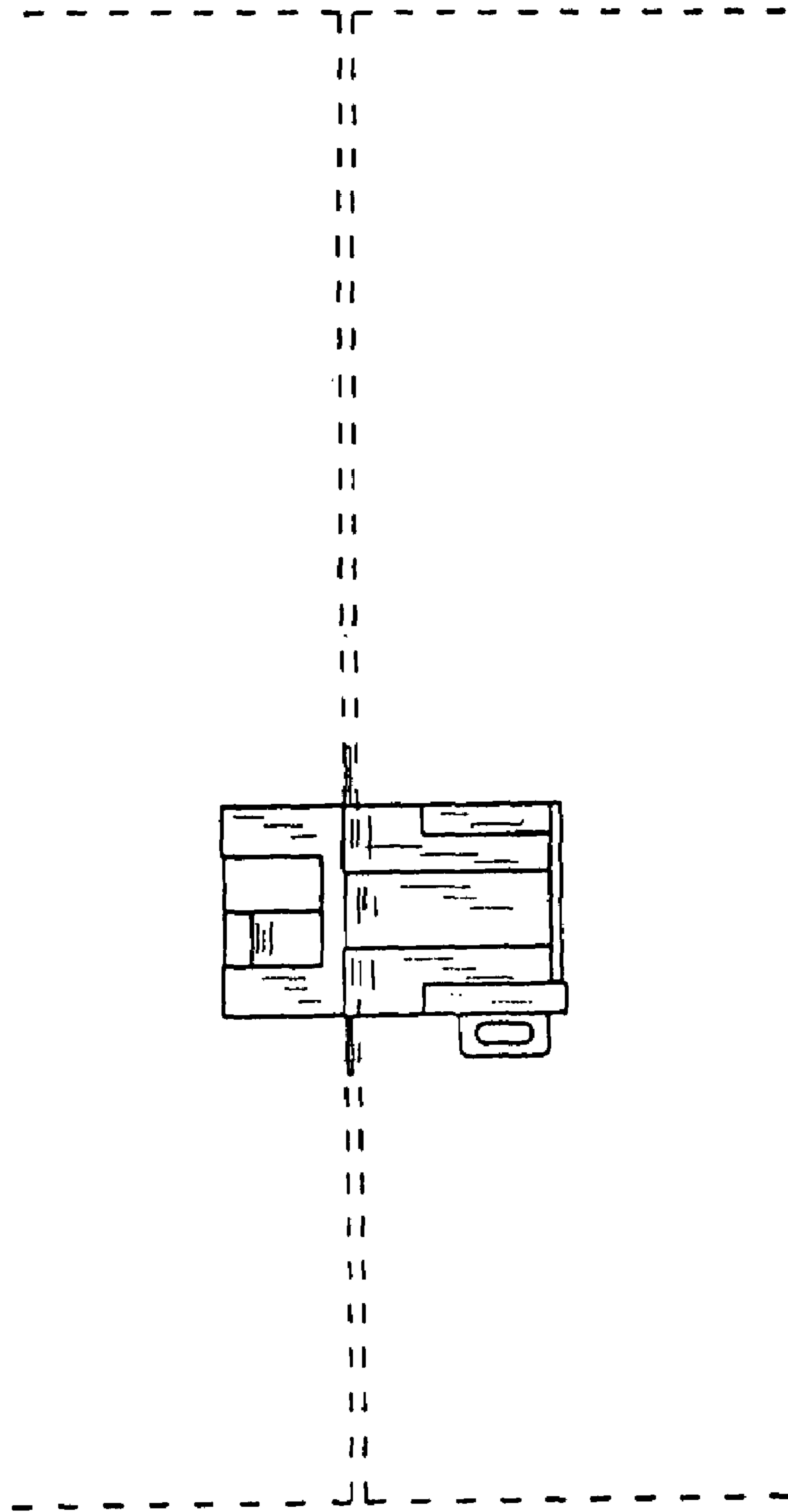


FIG. 16

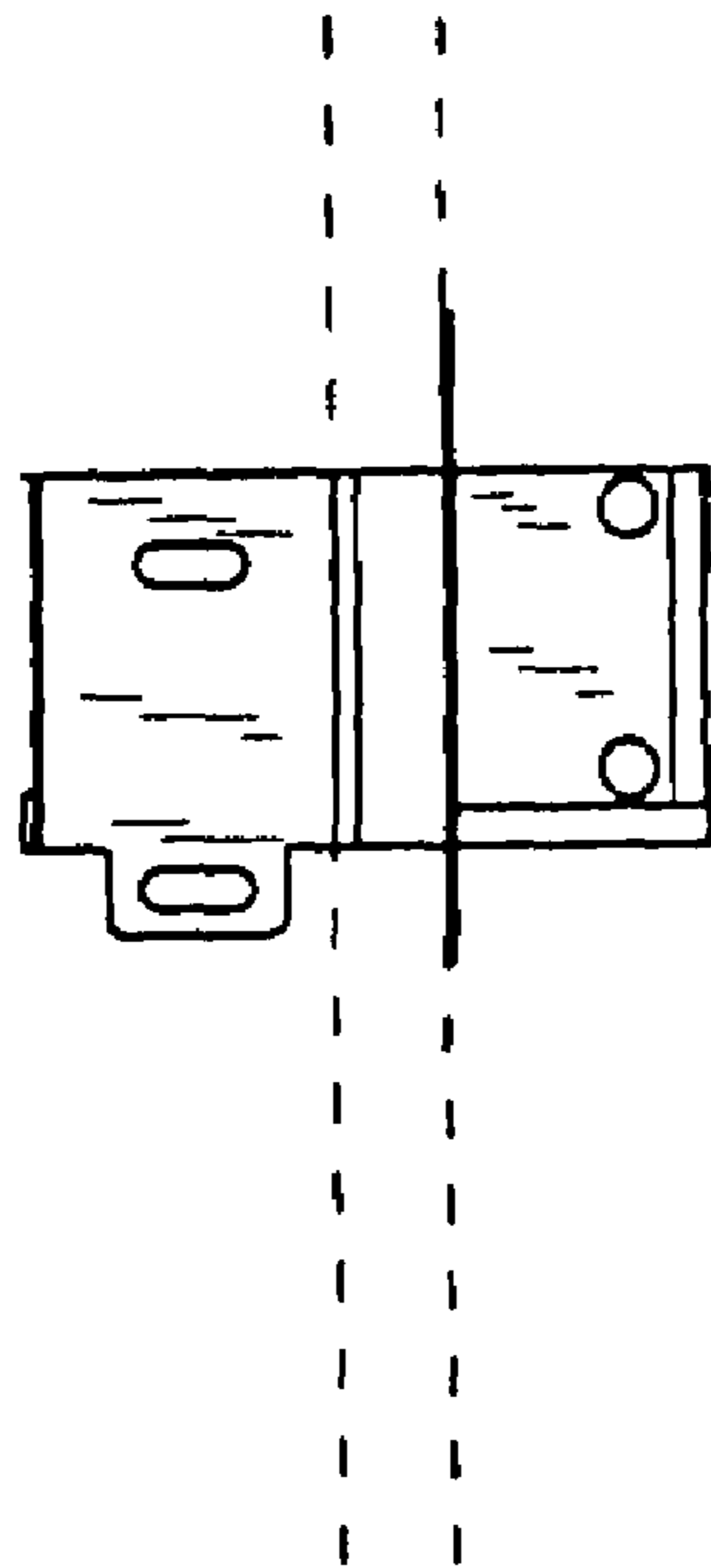


FIG. 17

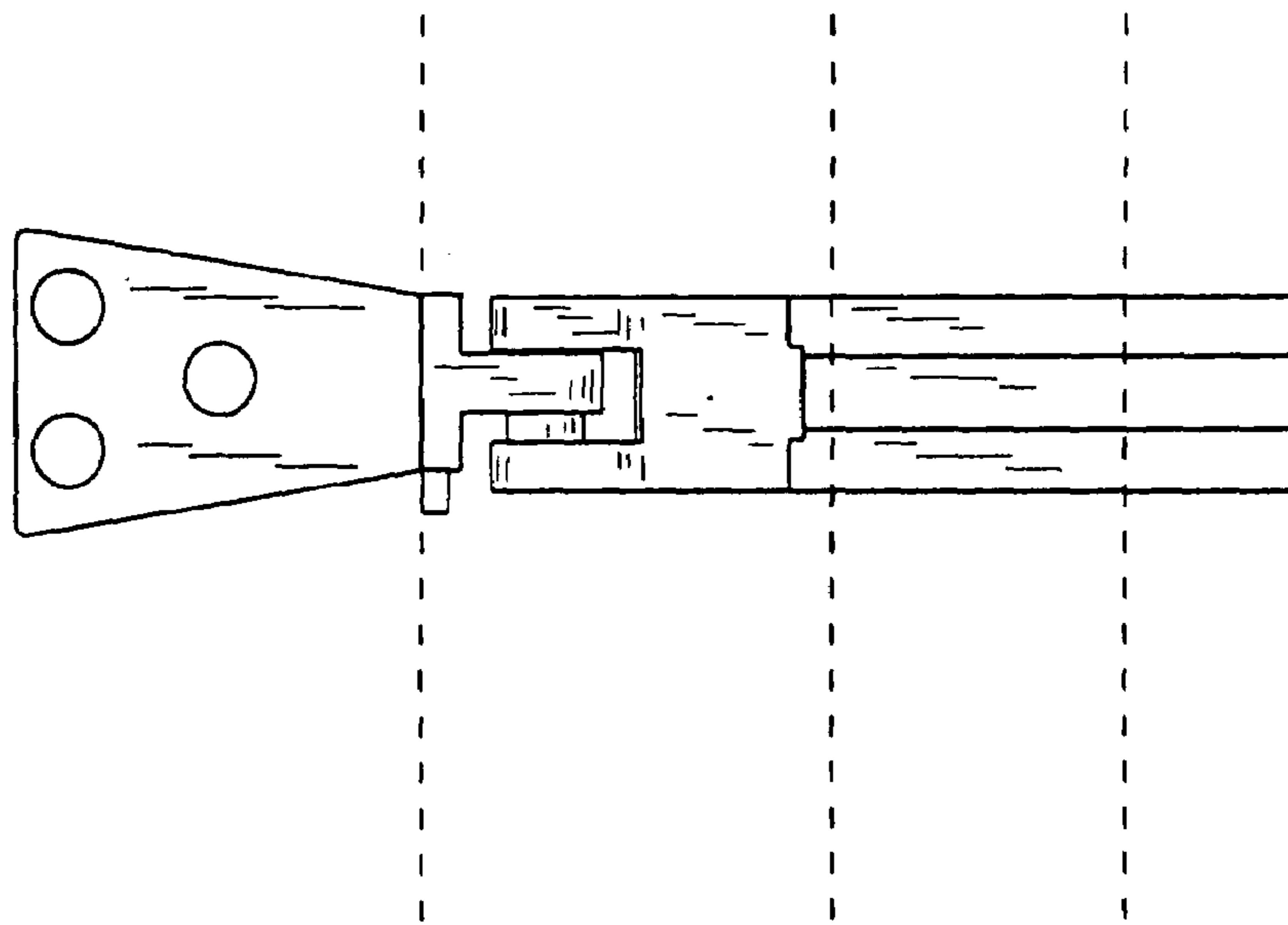


FIG. 18

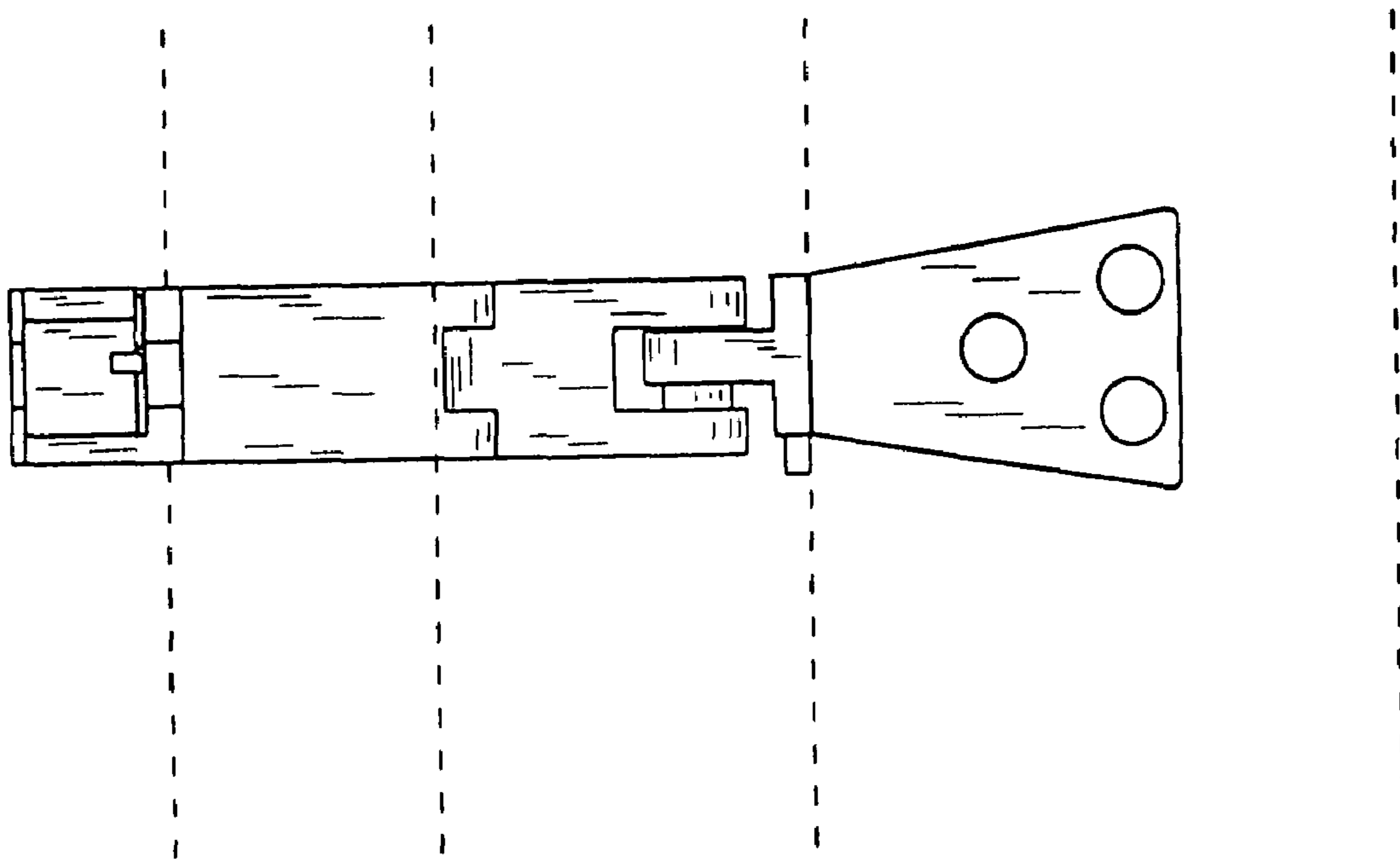


FIG. 19

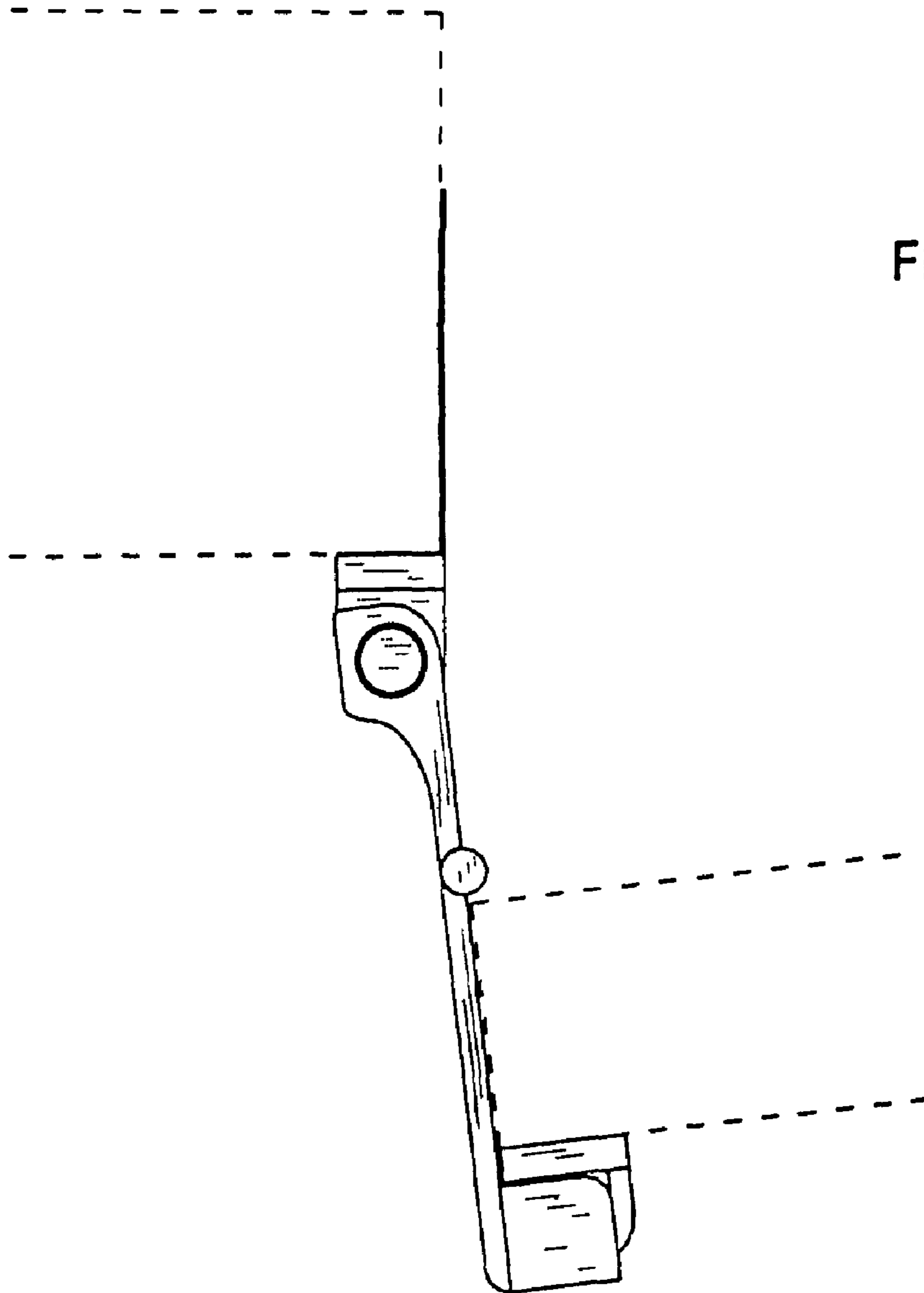


FIG. 20

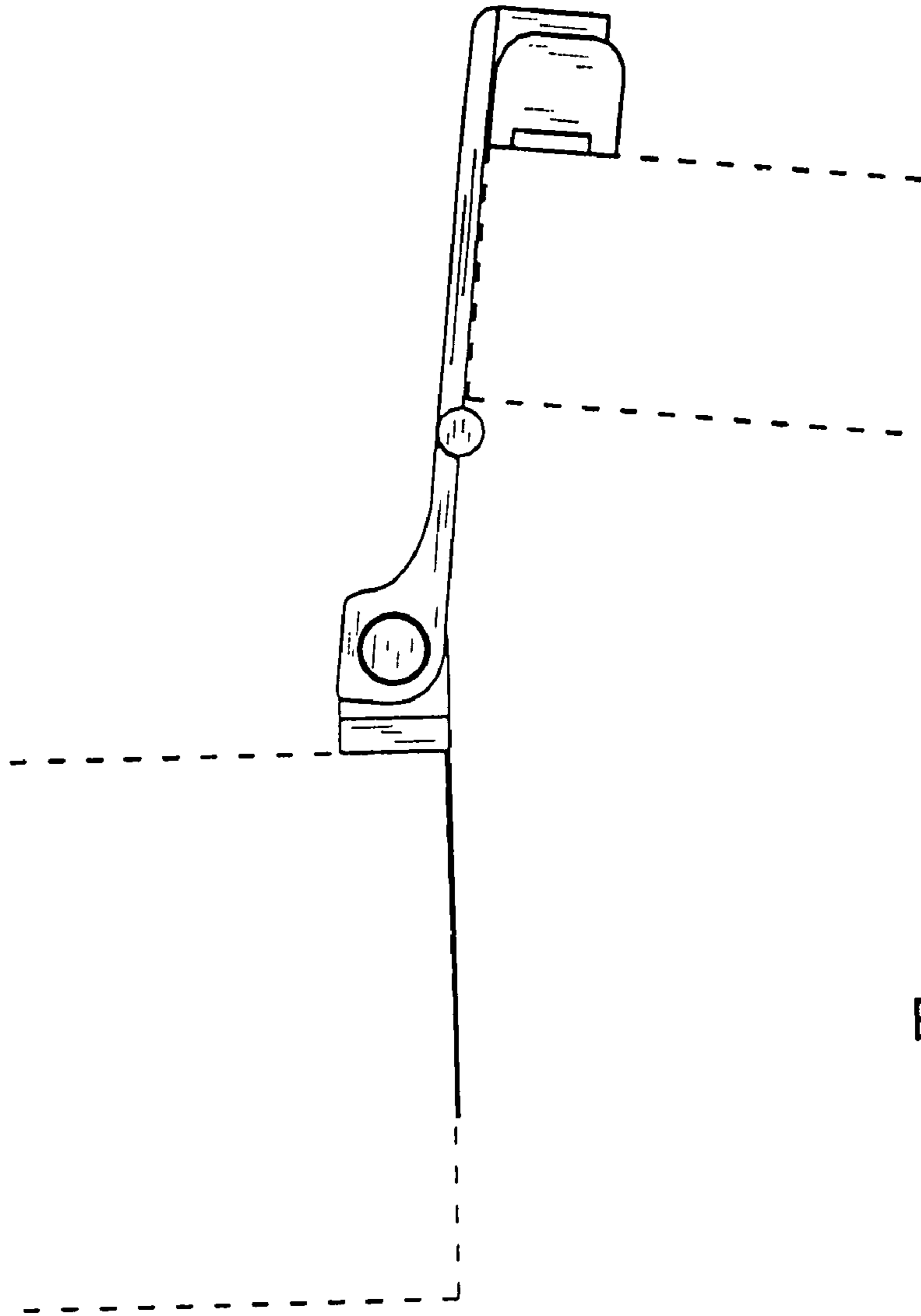


FIG. 21