

US00D550060S

(12) **United States Design Patent**
Wilfer

(10) **Patent No.:** **US D550,060 S**

(45) **Date of Patent:** **** Sep. 4, 2007**

(54) **LATCH**

D457,801 S * 5/2002 Zamberg D8/331

(76) **Inventor:** **Hans-Peter Wilfer**, Zum Hackerhof 5,
08258 Markneukirchen (DE)

* cited by examiner

Primary Examiner—Mitchell Siegel

(74) *Attorney, Agent, or Firm*—Russ, August & Kabat

(**) **Term:** **14 Years**

(21) **Appl. No.:** **29/234,329**

(57) **CLAIM**

(22) **Filed:** **Jul. 18, 2005**

The ornamental design for a latch, as shown and described.

(51) **LOC (8) Cl.** **08-07**

(52) **U.S. Cl.** **D8/330**

(58) **Field of Classification Search** D8/330–348;
292/58, 70, 74, 95, 109–114

See application file for complete search history.

DESCRIPTION

FIG. 1 is a left side perspective view of the latch;

FIG. 2 is a right side perspective view of the latch;

FIG. 3 is a end perspective view of the latch;

FIG. 4 is a back perspective view of the latch;

FIG. 5 is a top perspective view of the latch; and,

FIG. 6 is a end perspective view of the latch.

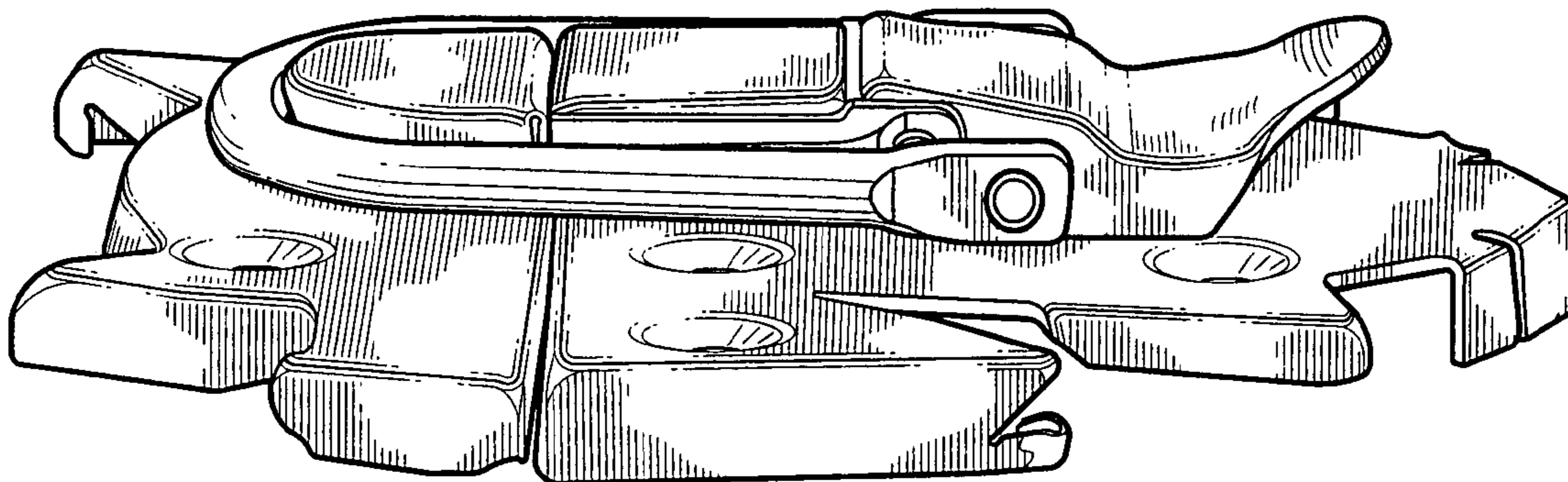
The area enclosed within dashed lines in FIG. 6 does not form part of the claimed invention.

(56) **References Cited**

U.S. PATENT DOCUMENTS

- D75,117 S * 5/1928 Horton et al. D8/341
- D77,984 S * 3/1929 Samson D8/341
- D206,643 S * 1/1967 Bialo D8/341
- D454,478 S * 3/2002 Willems D8/331

1 Claim, 4 Drawing Sheets



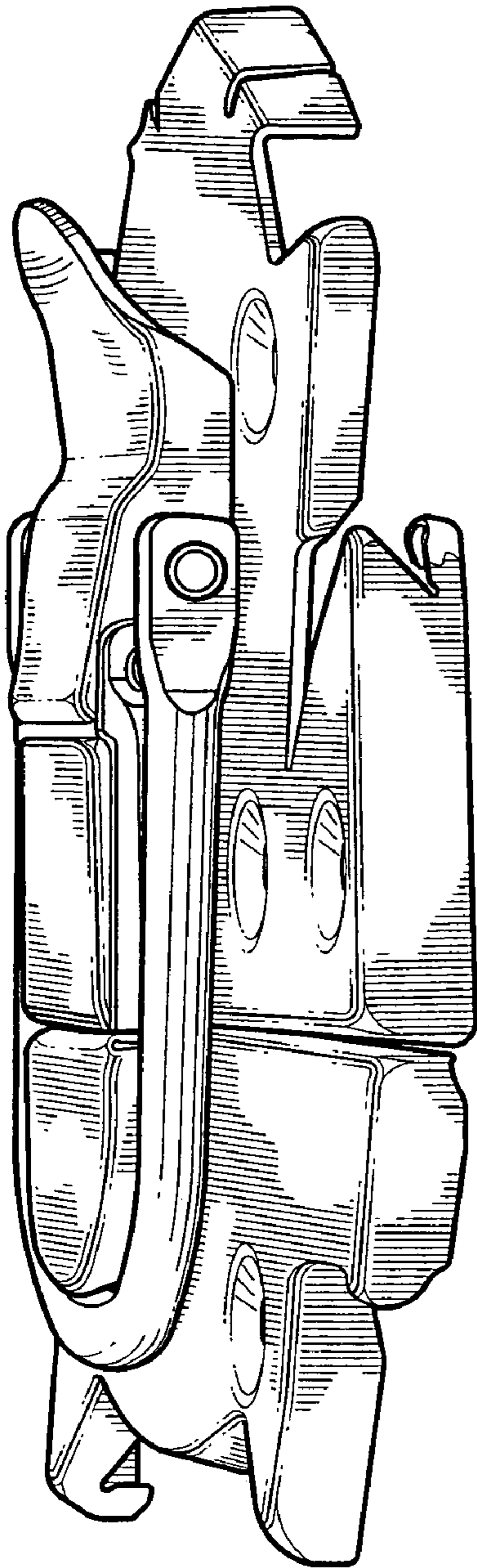


FIG. 1

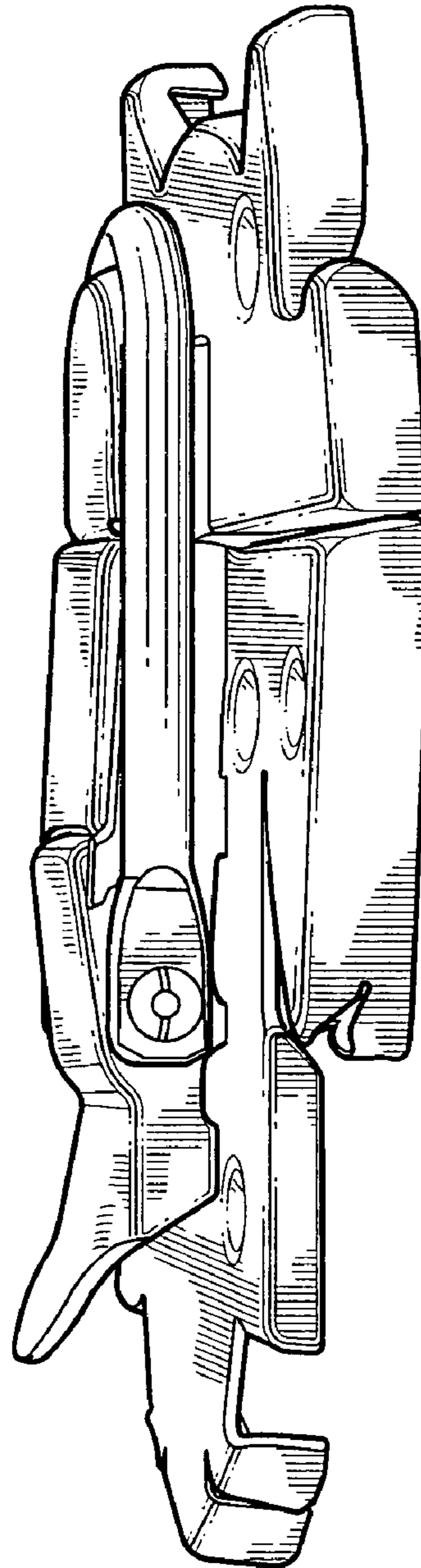


FIG. 2

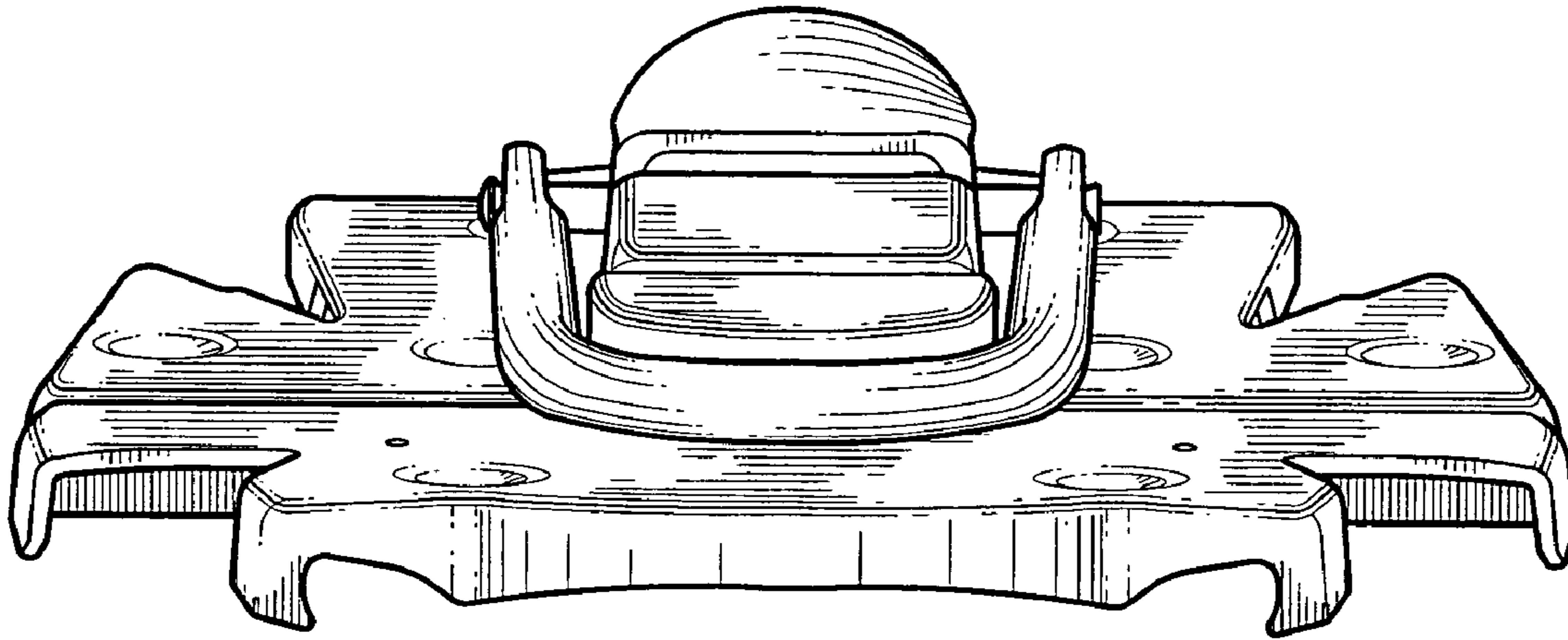


FIG. 3

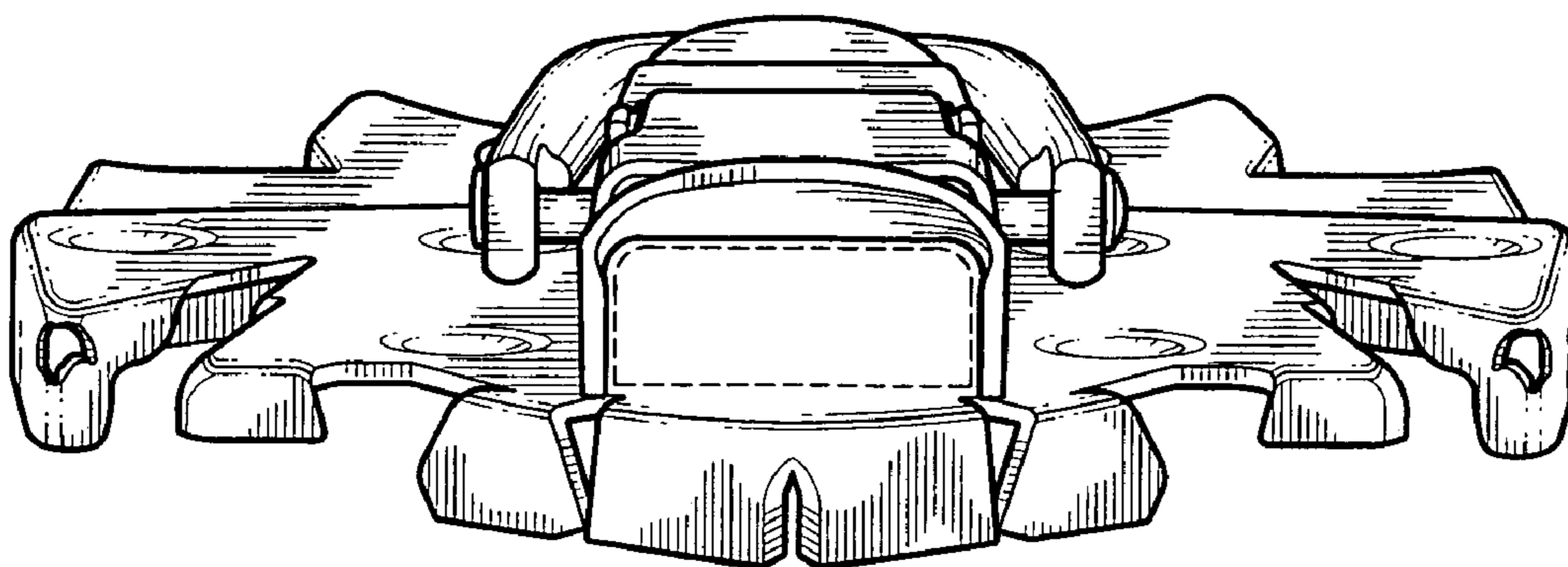


FIG. 6

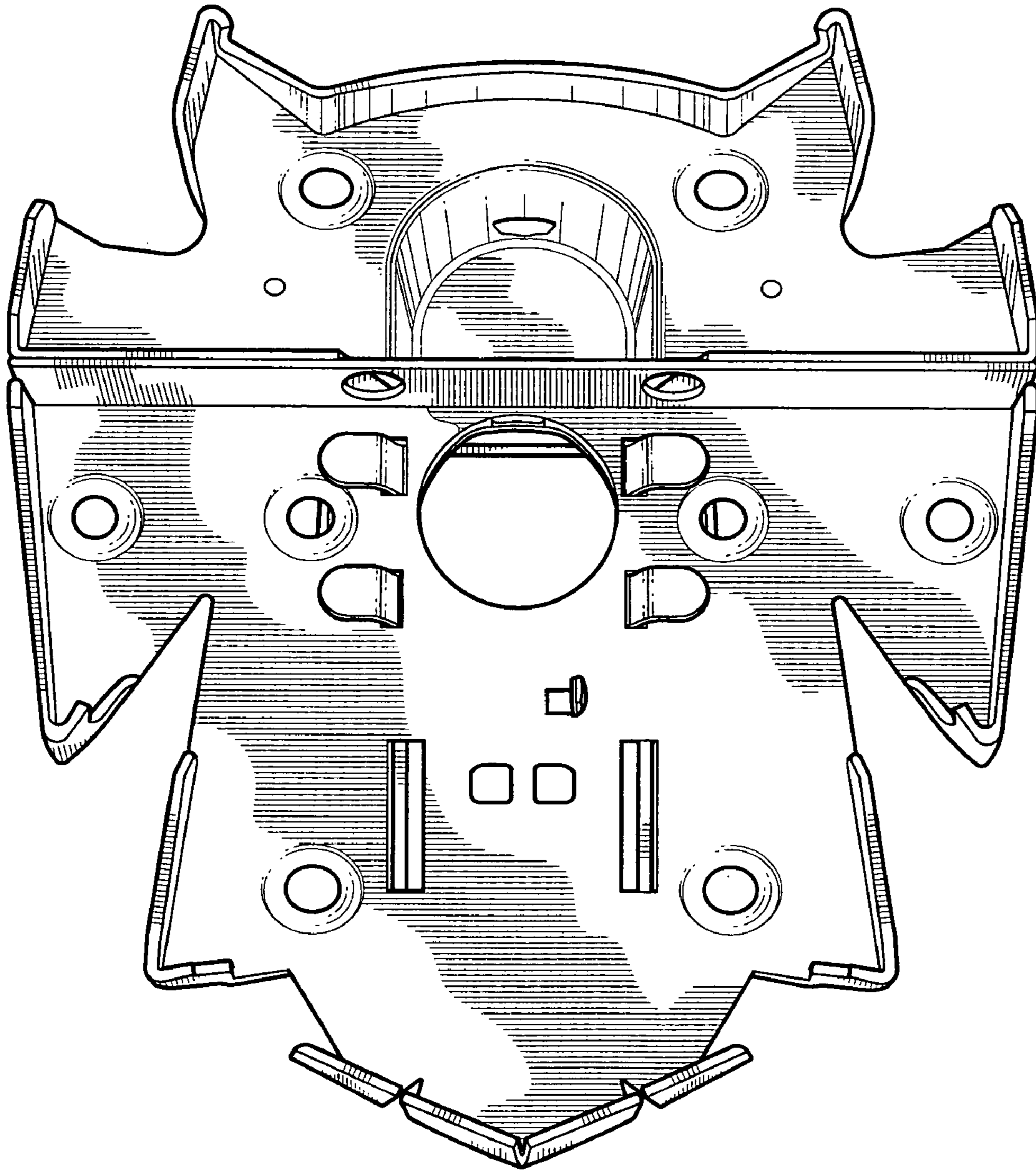


FIG.4

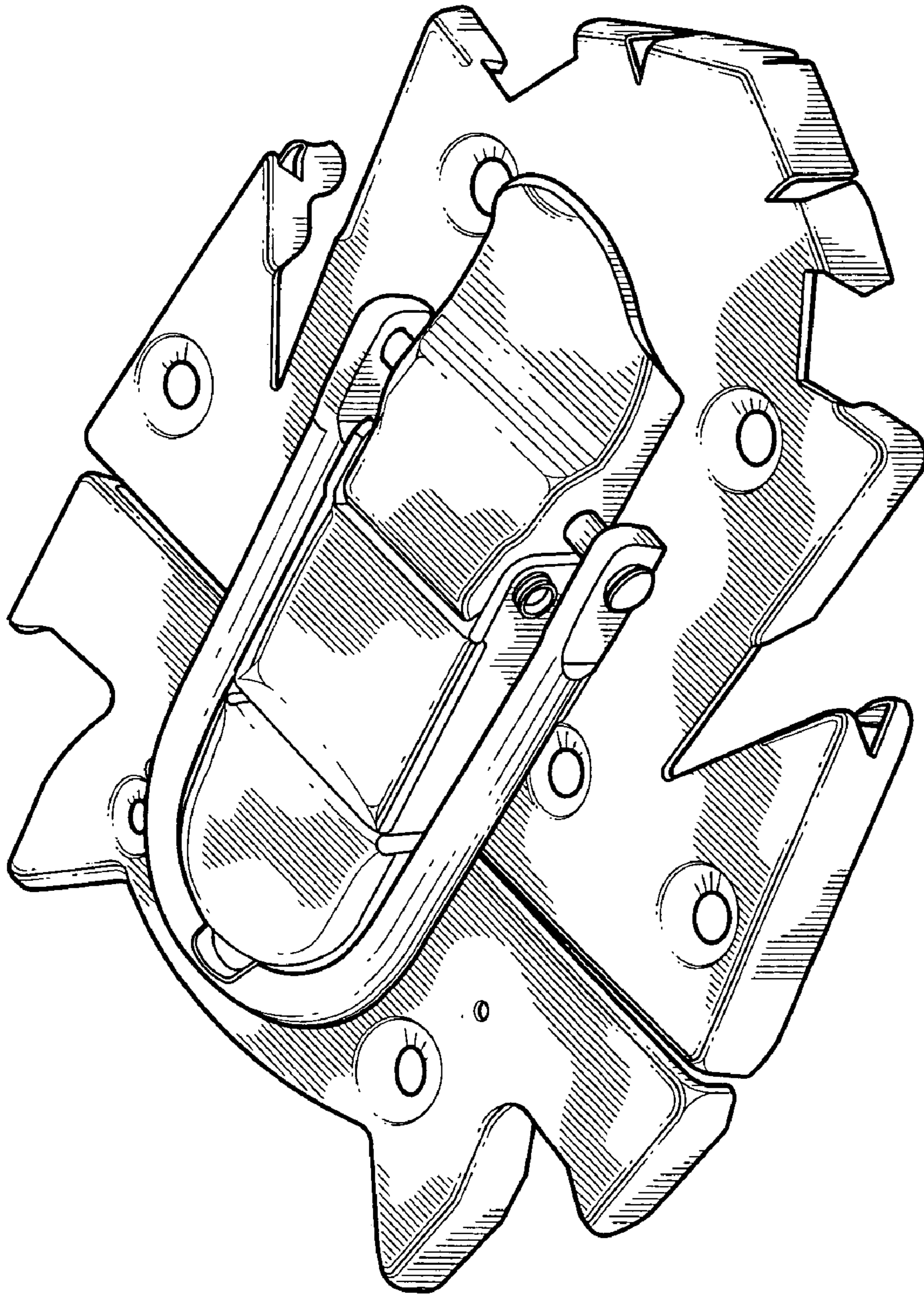


FIG. 5