



US00D550055S

(12) **United States Design Patent**  
**Chen**

(10) **Patent No.:** **US D550,055 S**

(45) **Date of Patent:** **\*\* Sep. 4, 2007**

(54) **HAMMERHEAD**

(76) **Inventor:** **Yung-Shou Chen**, 2F-1, No. 51, Sec. 3,  
Chung Yang Rd., Chung Ho Tsuen,  
Long-Ching Town, Taichung Hsien  
(TW)

(\*\*) **Term:** **14 Years**

(21) **Appl. No.:** **29/244,546**

(22) **Filed:** **Dec. 9, 2005**

(51) **LOC (8) Cl.** ..... **08-02**

(52) **U.S. Cl.** ..... **D8/78**

(58) **Field of Classification Search** ..... D8/75,  
D8/76, 77, 78, 79, 81; 254/25 R; 7/143;  
81/20, 21, 22, 23

See application file for complete search history.

(56) **References Cited**

**U.S. PATENT DOCUMENTS**

D275,261 S *	8/1984	Crowder	.....	D8/75
D283,392 S *	4/1986	Gossage	.....	D8/78
5,590,868 A *	1/1997	Hebert et al.	.....	254/26 R
D398,505 S *	9/1998	Gossage	.....	D8/78
D438,082 S *	2/2001	Stegner et al.	.....	D8/78

D460,337 S *	7/2002	Shults et al.	.....	D8/78
6,435,059 B1 *	8/2002	Martinez	.....	81/20
D468,181 S *	1/2003	Hung	.....	D8/78
D530,583 S *	10/2006	Chen	.....	D8/78

\* cited by examiner

*Primary Examiner*—Philip S. Hyder  
(74) *Attorney, Agent, or Firm*—Pai Patent & Trademark  
Law Firm; Chao-Chang David Pai

(57) **CLAIM**

The ornamental design for a hammerhead, as shown.

**DESCRIPTION**

FIG. 1 is a perspective view of a hammerhead, showing my new design;

FIG. 2 is a front elevational view thereof;

FIG. 3 is a rear elevational view thereof;

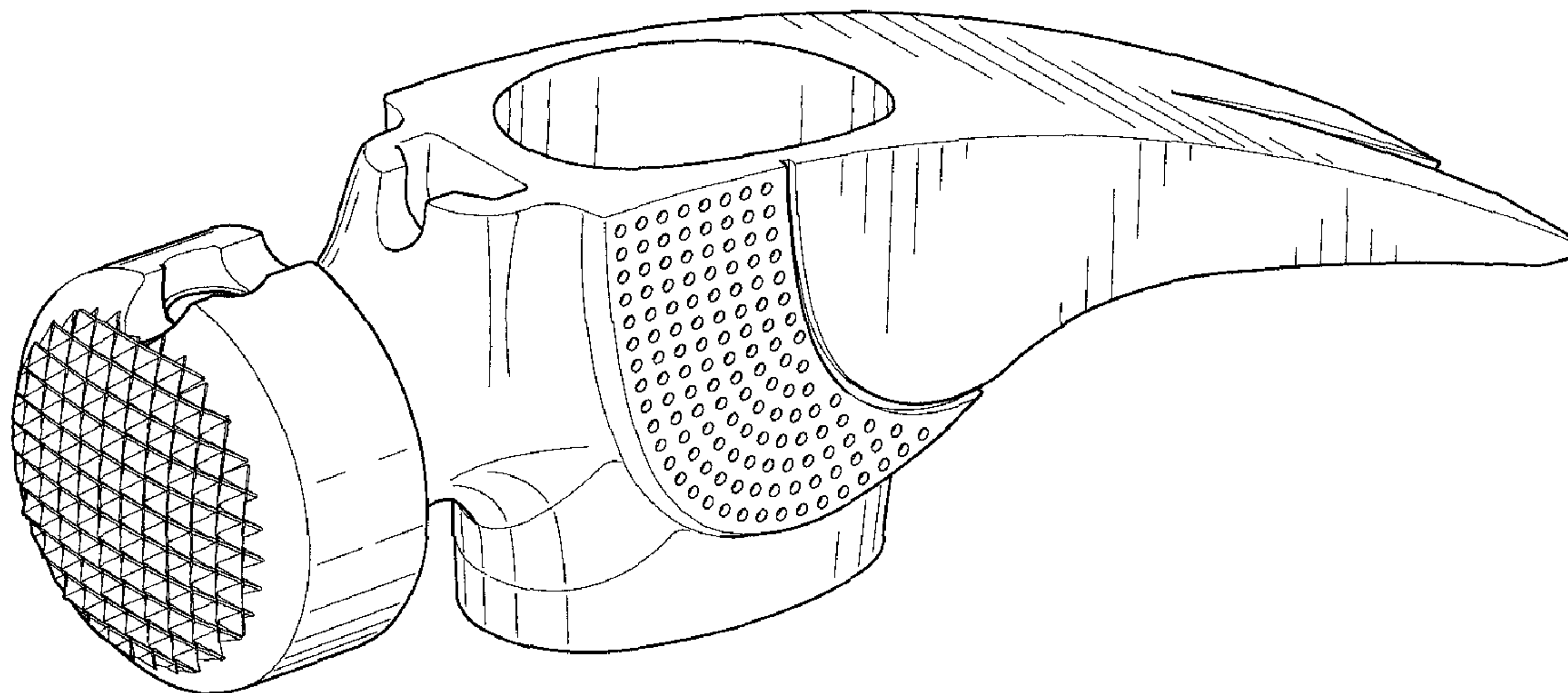
FIG. 4 is a left side elevational view thereof;

FIG. 5 is a right side elevational view thereof;

FIG. 6 is a top plan view thereof; and,

FIG. 7 is a bottom plan view thereof.

**1 Claim, 3 Drawing Sheets**



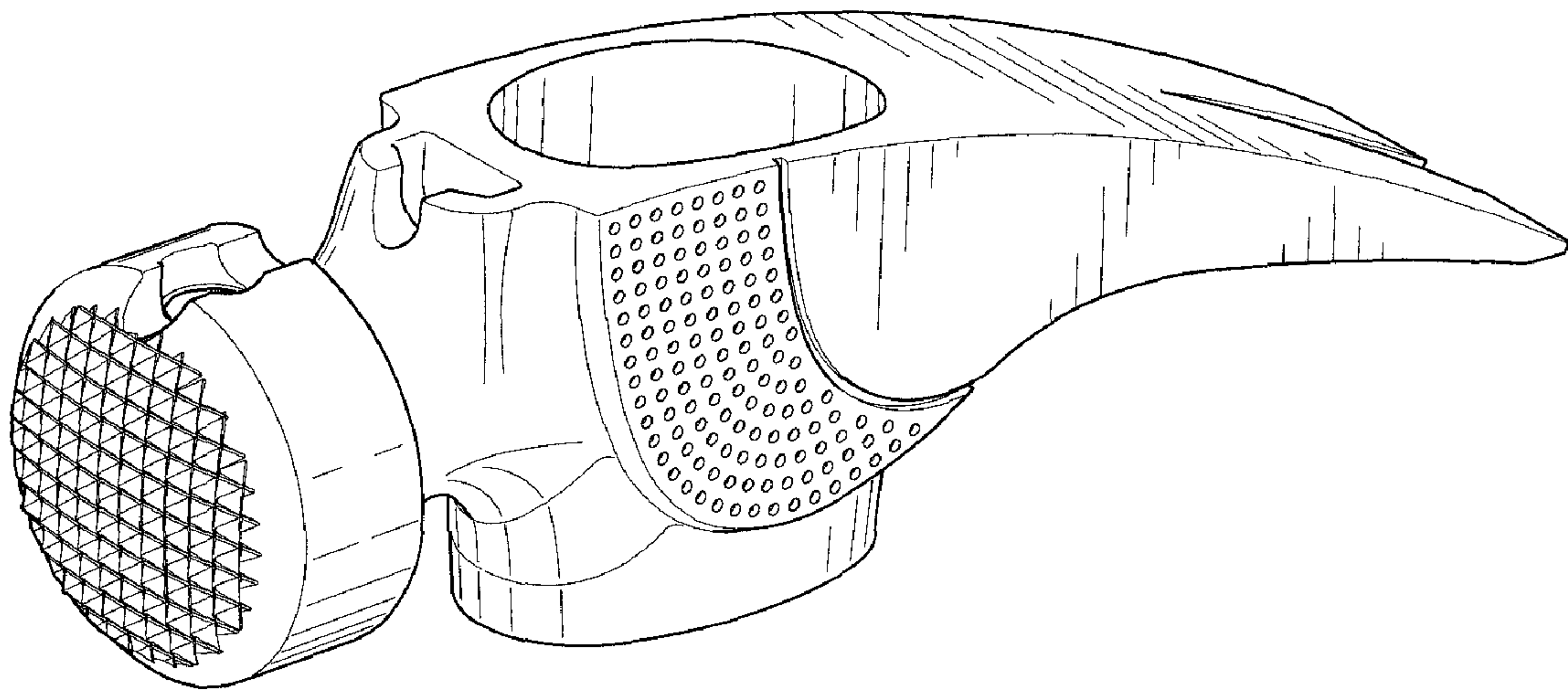


FIG. 1

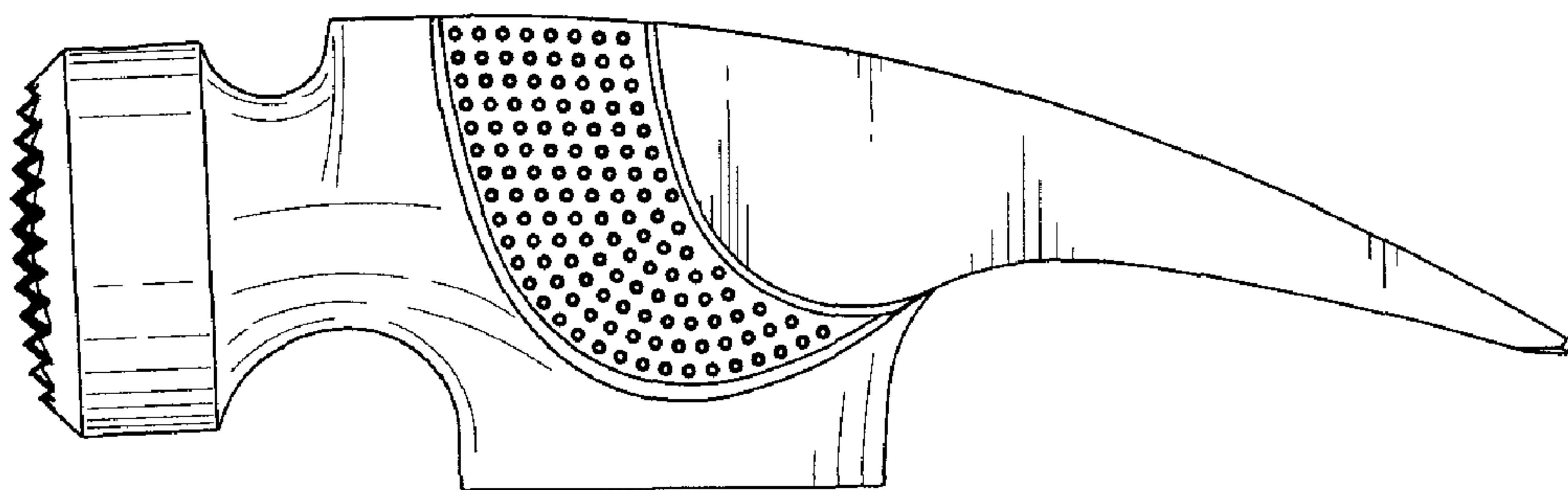


FIG. 2

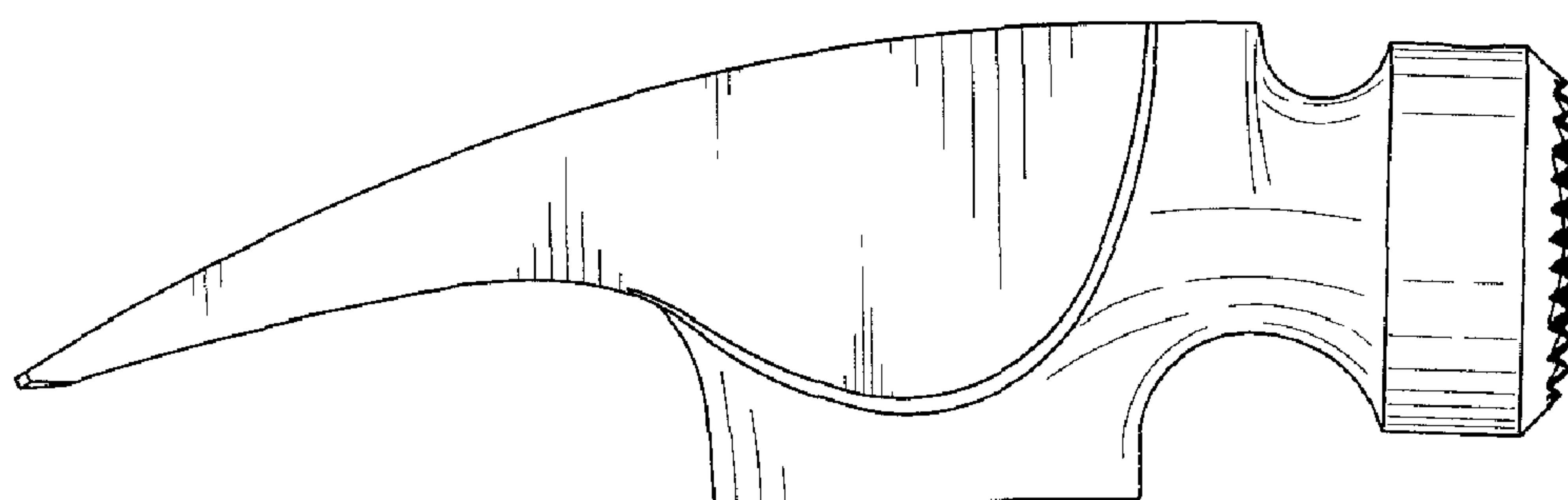


FIG. 3

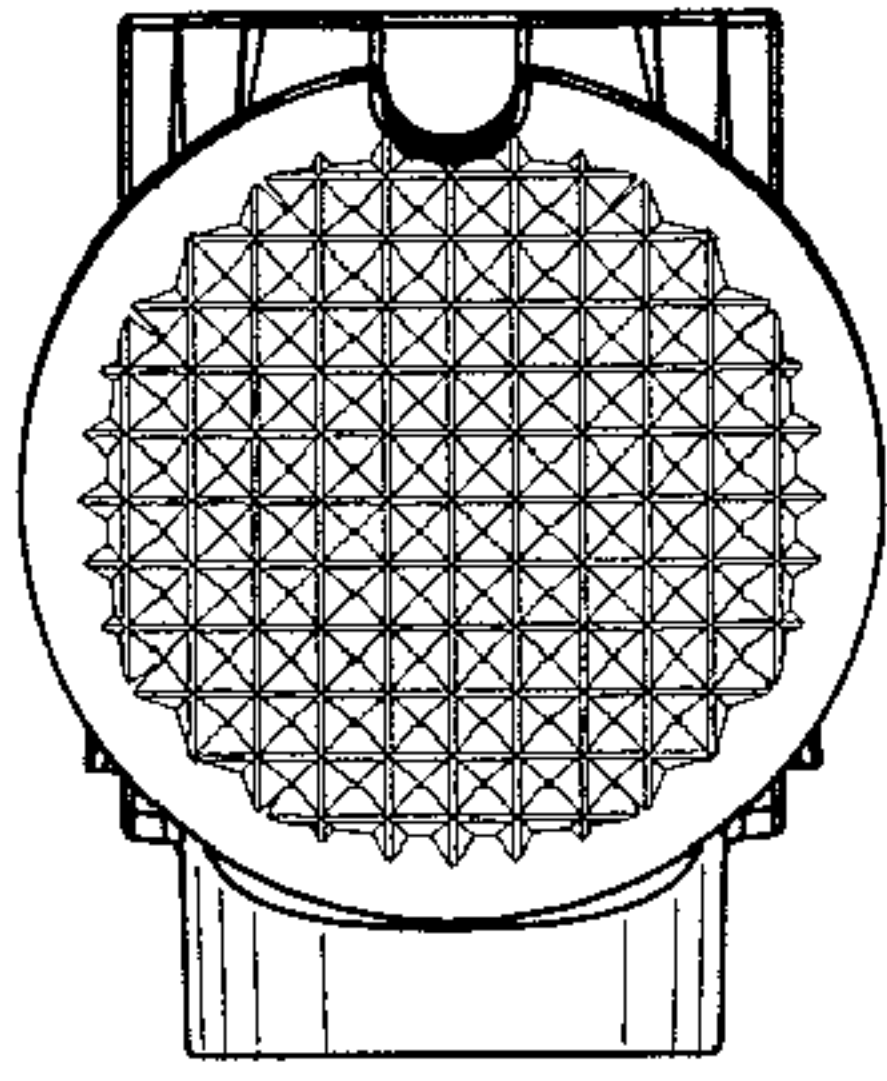


FIG. 4

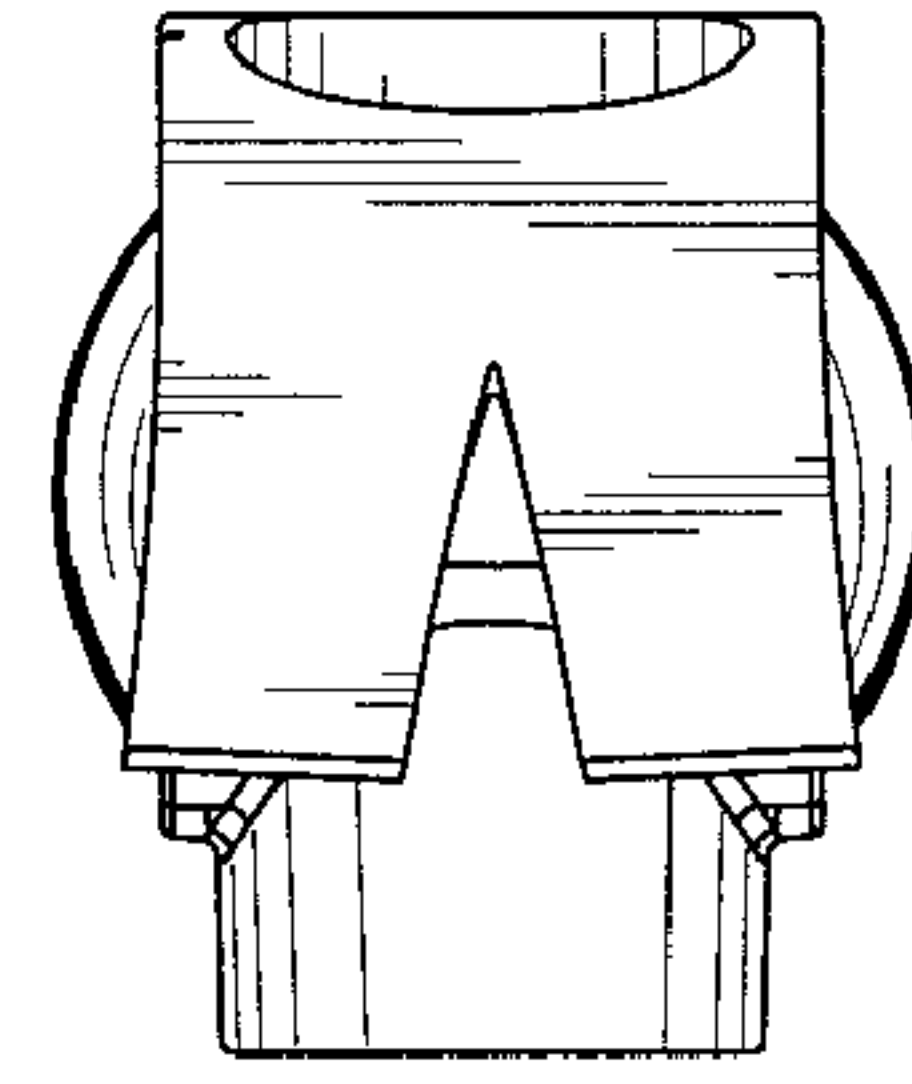


FIG. 5

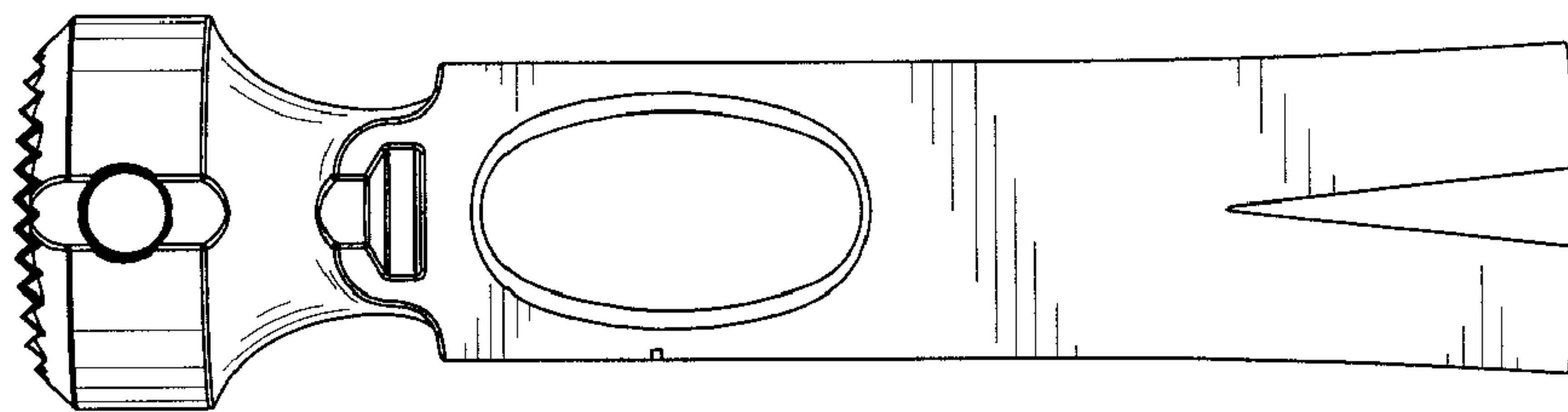


FIG. 6

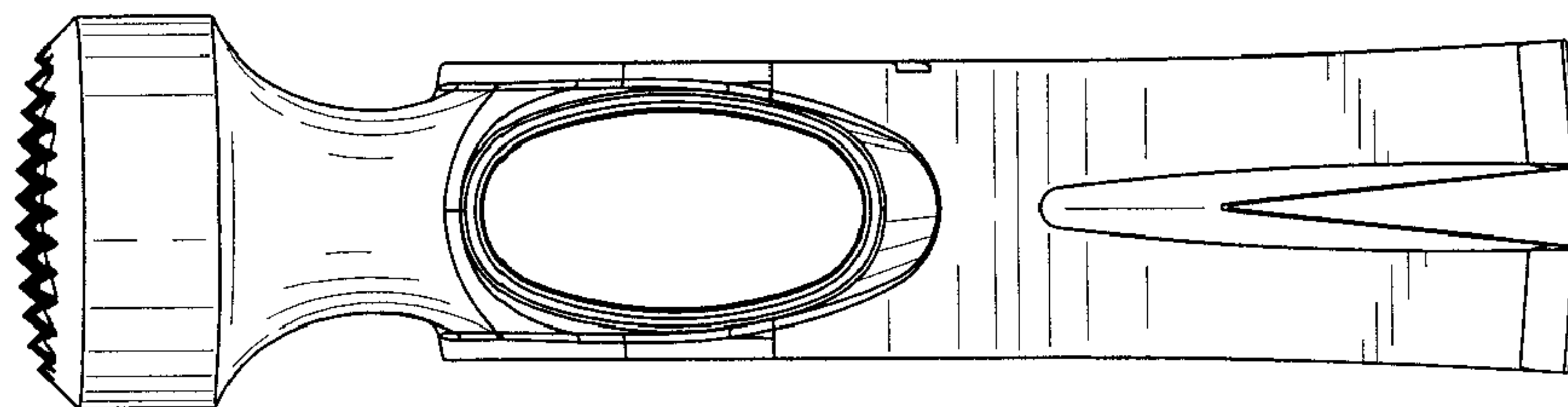


FIG. 7