



US00D550054S

(12) **United States Design Patent**  
**Yoho**

(10) **Patent No.:** **US D550,054 S**

(45) **Date of Patent:** **\*\* Sep. 4, 2007**

(54) **VERTICAL SUSPENSION VISE**

D349,226 S \* 8/1994 Ruyts ..... D8/74

(76) Inventor: **Randy R. Yoho**, 31826 Pasco Rd., San Antonio, FL (US) 33576

\* cited by examiner

*Primary Examiner*—Louis Zarfaz

*Assistant Examiner*—David G. Muller

(74) *Attorney, Agent, or Firm*—Larson & Larson; Herbert W. Larson

(\*\*) Term: **14 Years**

(21) Appl. No.: **29/232,429**

(22) Filed: **Jun. 17, 2005**

(57) **CLAIM**

(51) **LOC (8) Cl.** ..... **08-05**

The ornamental design for a vertical suspension vise, as shown and described.

(52) **U.S. Cl.** ..... **D8/74**

(58) **Field of Classification Search** ..... D8/59,  
D8/72, 73, 74, 394; 269/60, 65, 67, 76, 96,  
269/97, 249, 6, 100, 88, 16; D15/140; D24/140  
See application file for complete search history.

**DESCRIPTION**

FIG. 1 is a front elevational view of the vertical suspension vise, showing my novel design;

FIG. 2 is a rear elevational view thereof;

FIG. 3 is a left side view thereof;

FIG. 4 is a right side view thereof;

FIG. 5 is a bottom plan view thereof;

FIG. 6 is a top plan view thereof; and,

FIG. 7 is a perspective view of the vertical suspension vise, of the present invention as shown positioned on a table with a shock absorber within the vise.

The broken lines shown in FIG. 7 are for illustrative purposes only and form no part of the claimed design.

(56) **References Cited**

**U.S. PATENT DOCUMENTS**

893,875	A *	7/1908	Schneider	.....	269/88
D144,587	S *	4/1946	Ross	.....	D8/74
D164,687	S *	10/1951	Ingwer et al.	.....	D8/74
D175,105	S *	7/1955	Ewing et al.	.....	D8/74
2,854,876	A *	10/1958	Green	.....	269/6
D203,355	S *	12/1965	Kuziak	.....	D8/72
4,199,135	A *	4/1980	Wohrle et al.	.....	269/100
D255,578	S *	6/1980	Herczeg	.....	D15/140
4,415,149	A *	11/1983	Rees	.....	269/88
D274,093	S *	5/1984	Kenna	.....	D24/140
4,909,491	A *	3/1990	Cheng	.....	269/16
D331,181	S *	11/1992	Kl bel	.....	D8/73

**1 Claim, 4 Drawing Sheets**

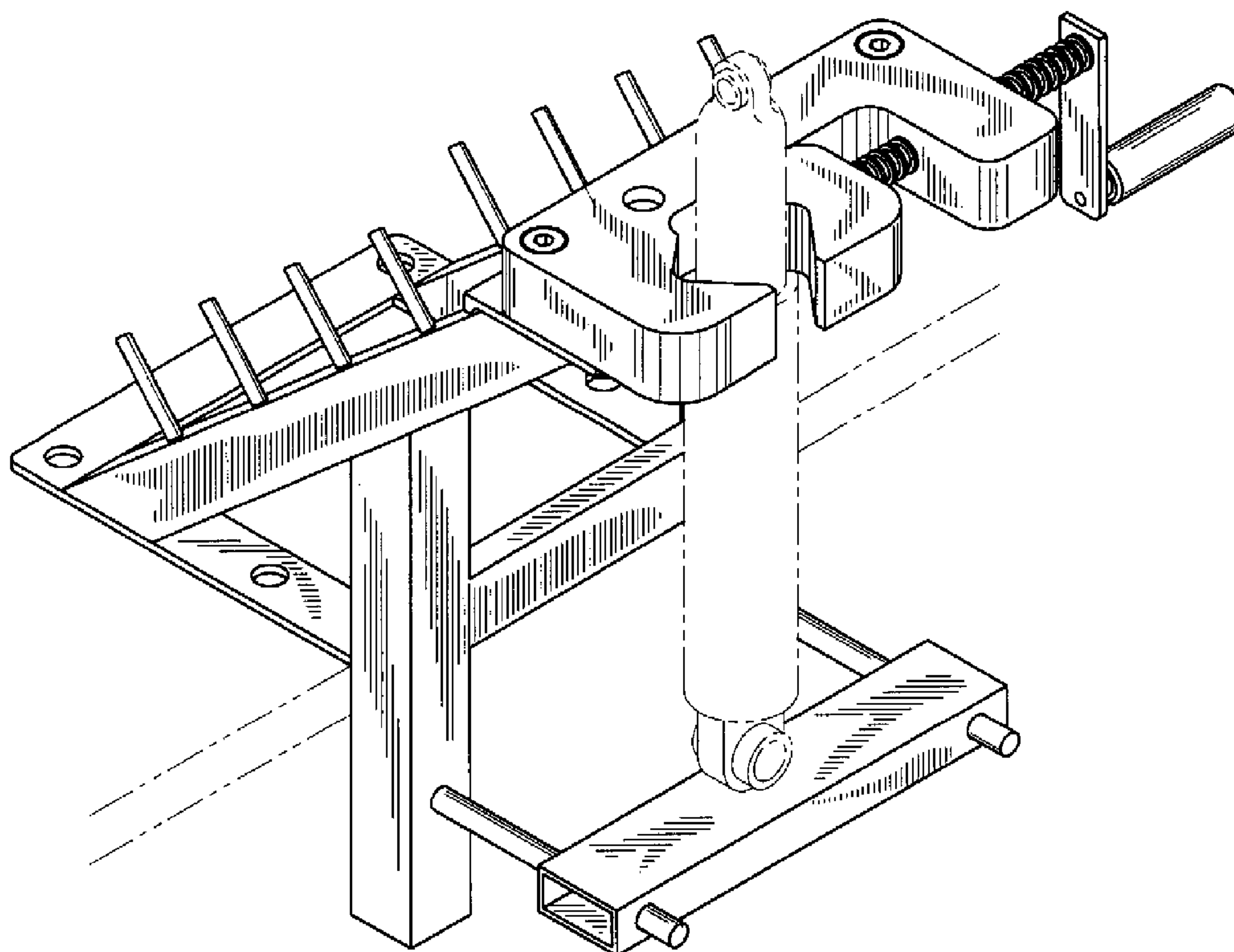


FIG. 1

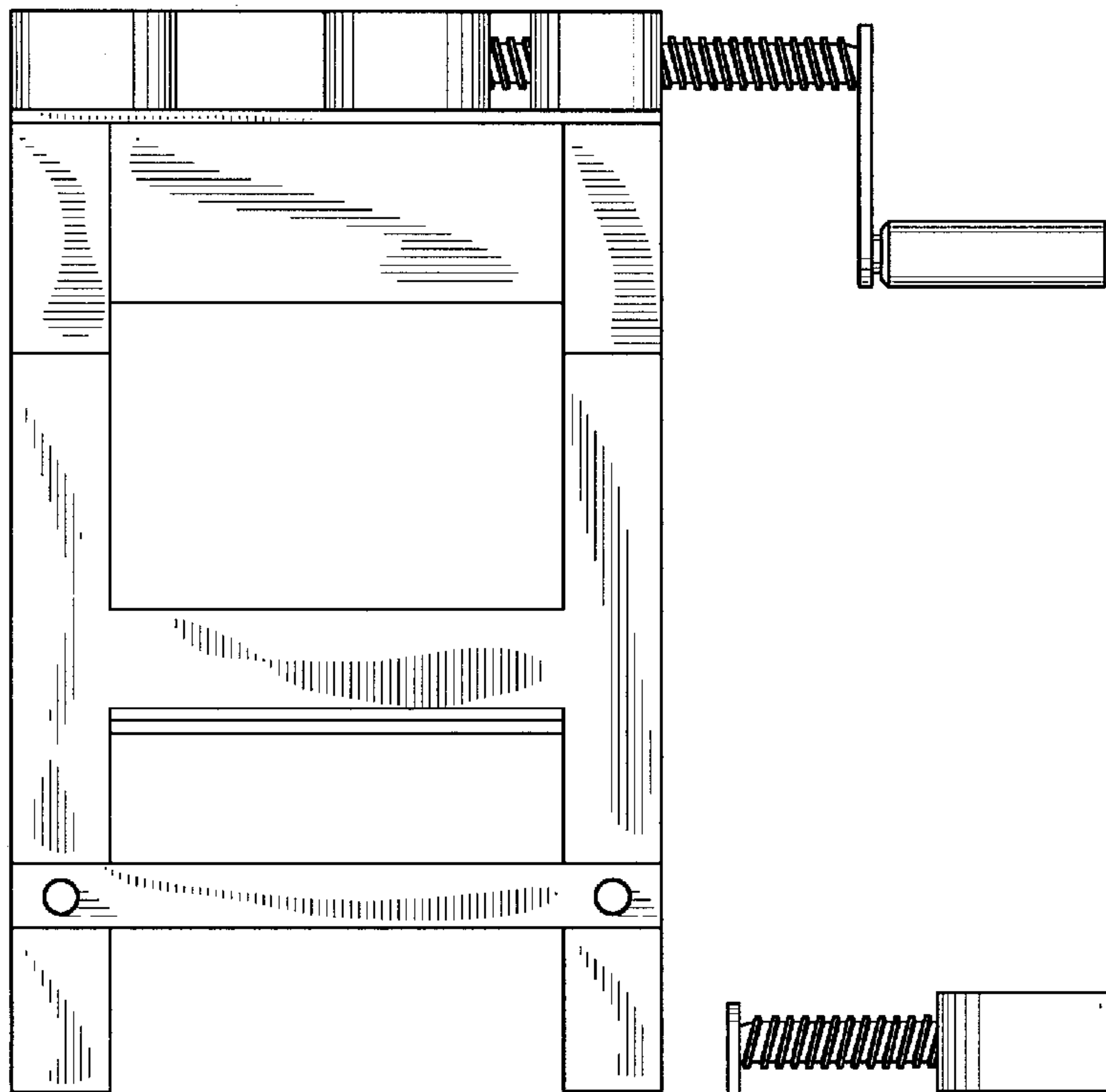


FIG. 2

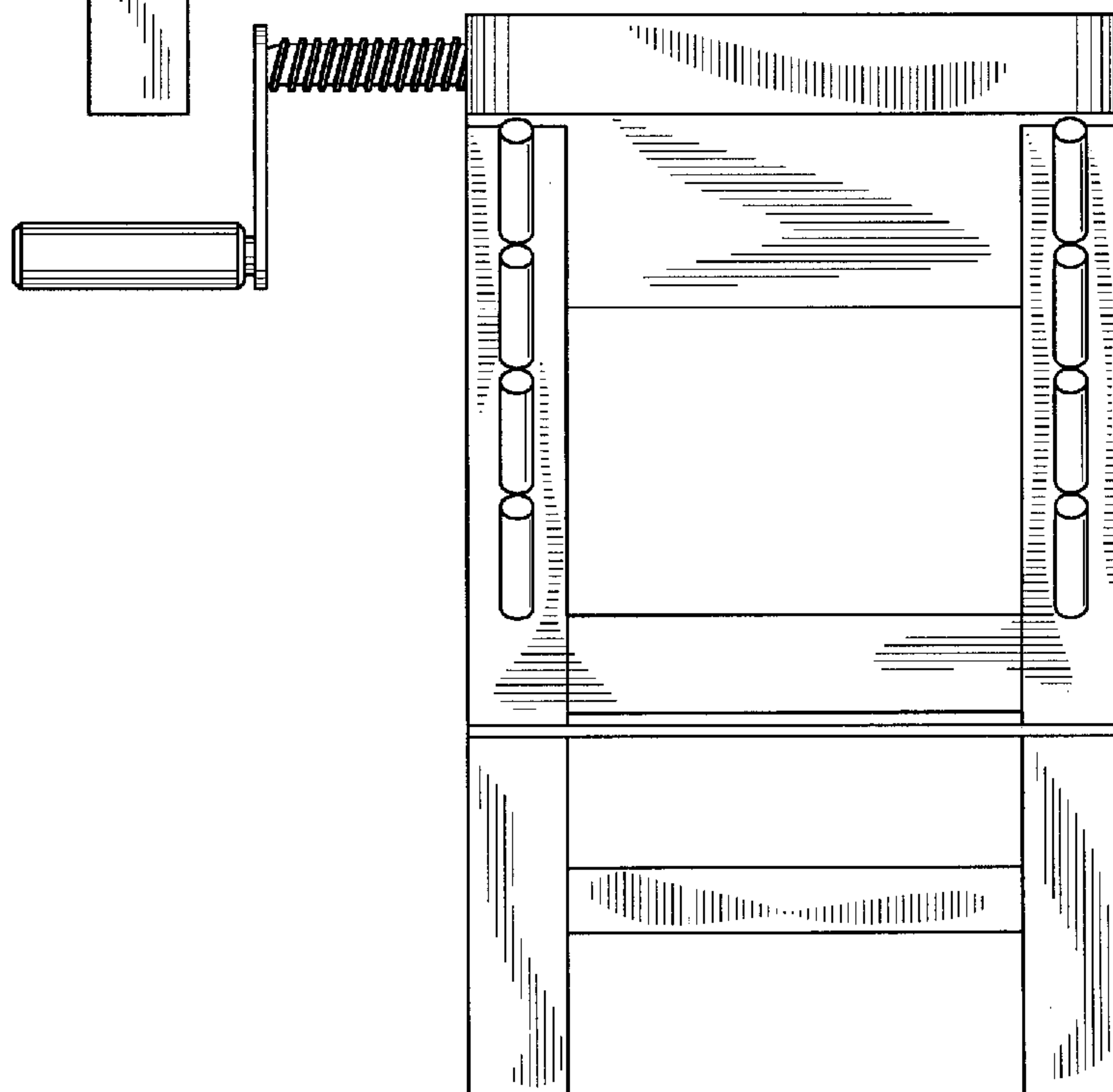


FIG. 3

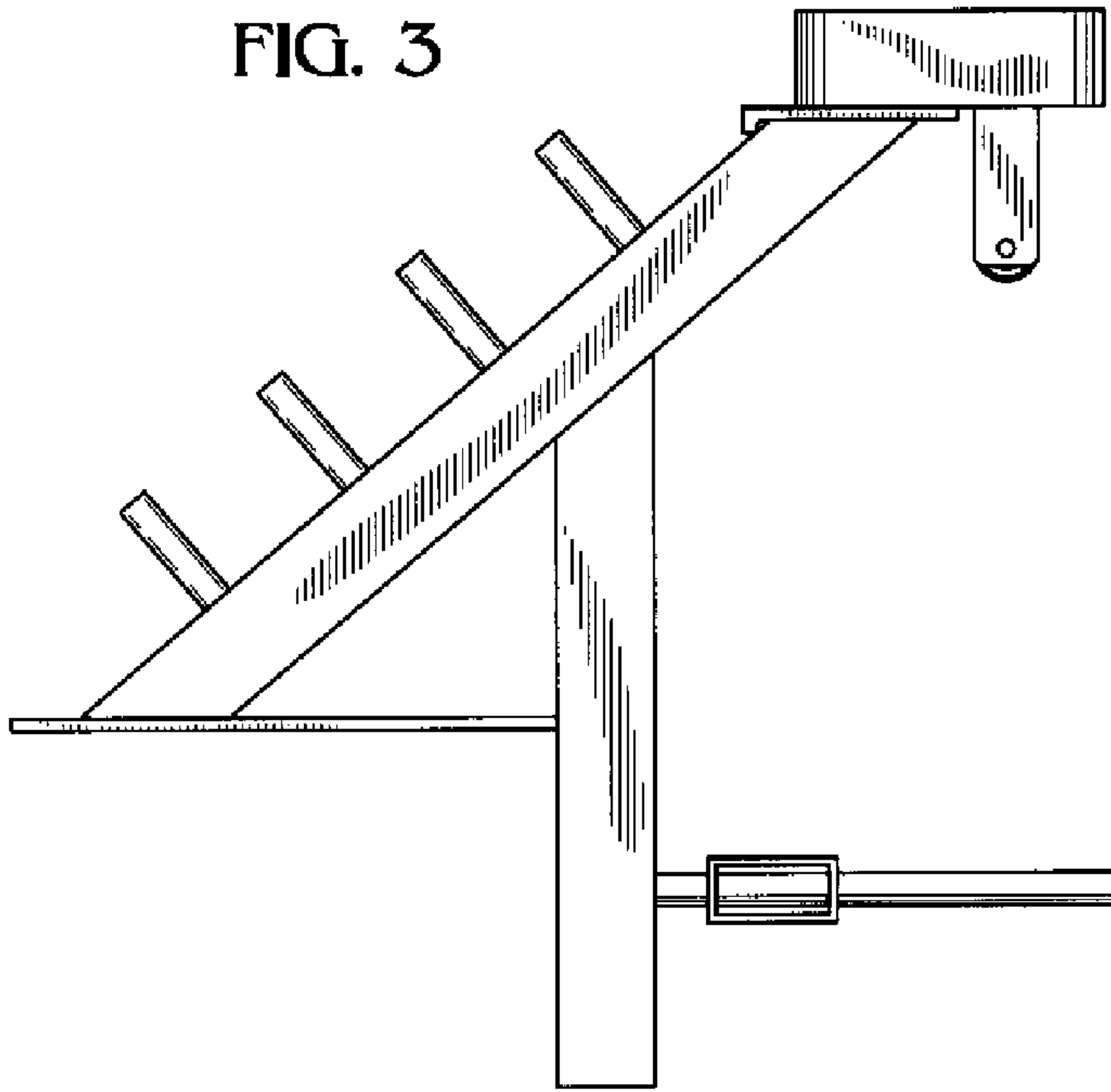


FIG. 4

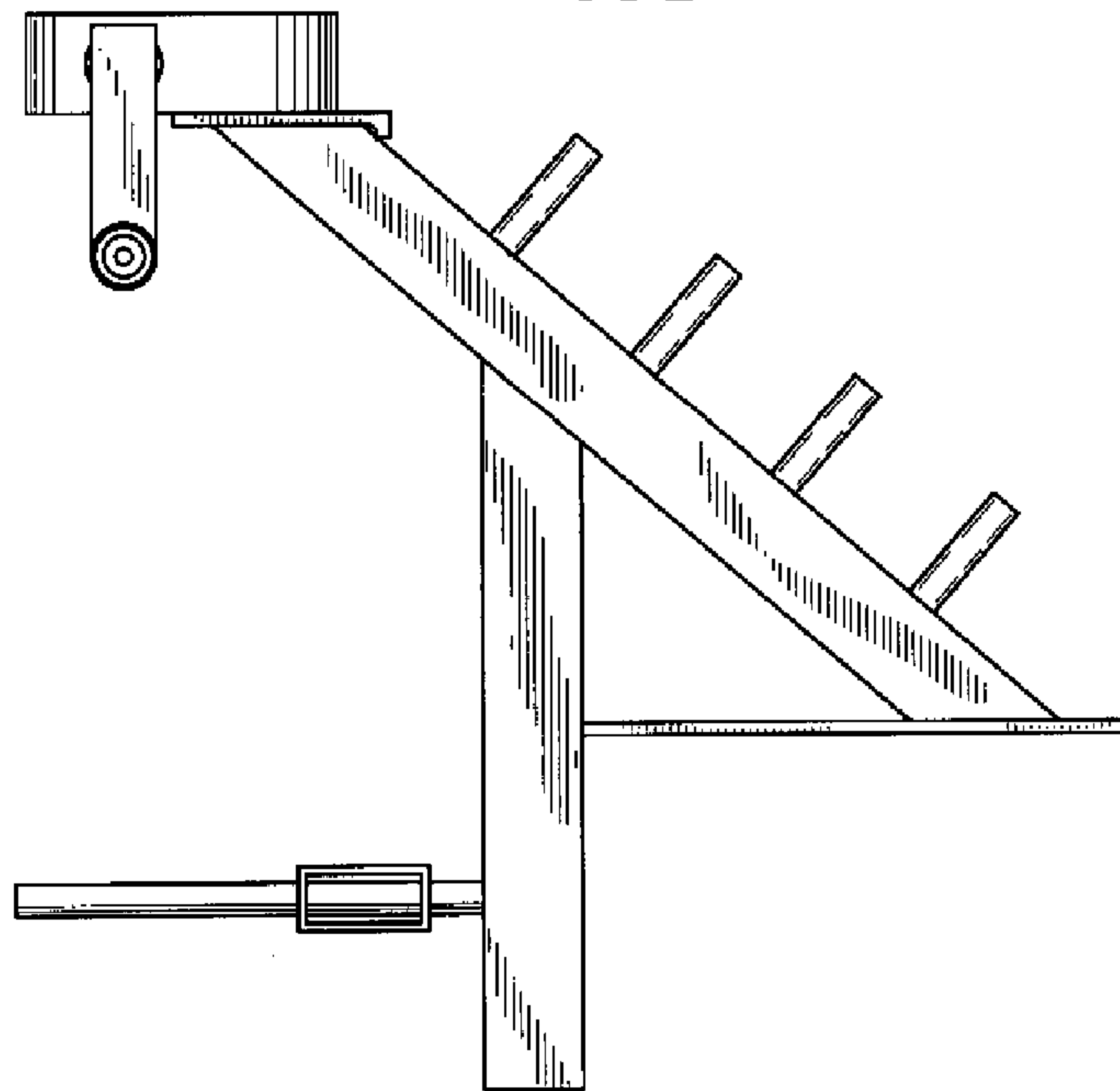


FIG. 5

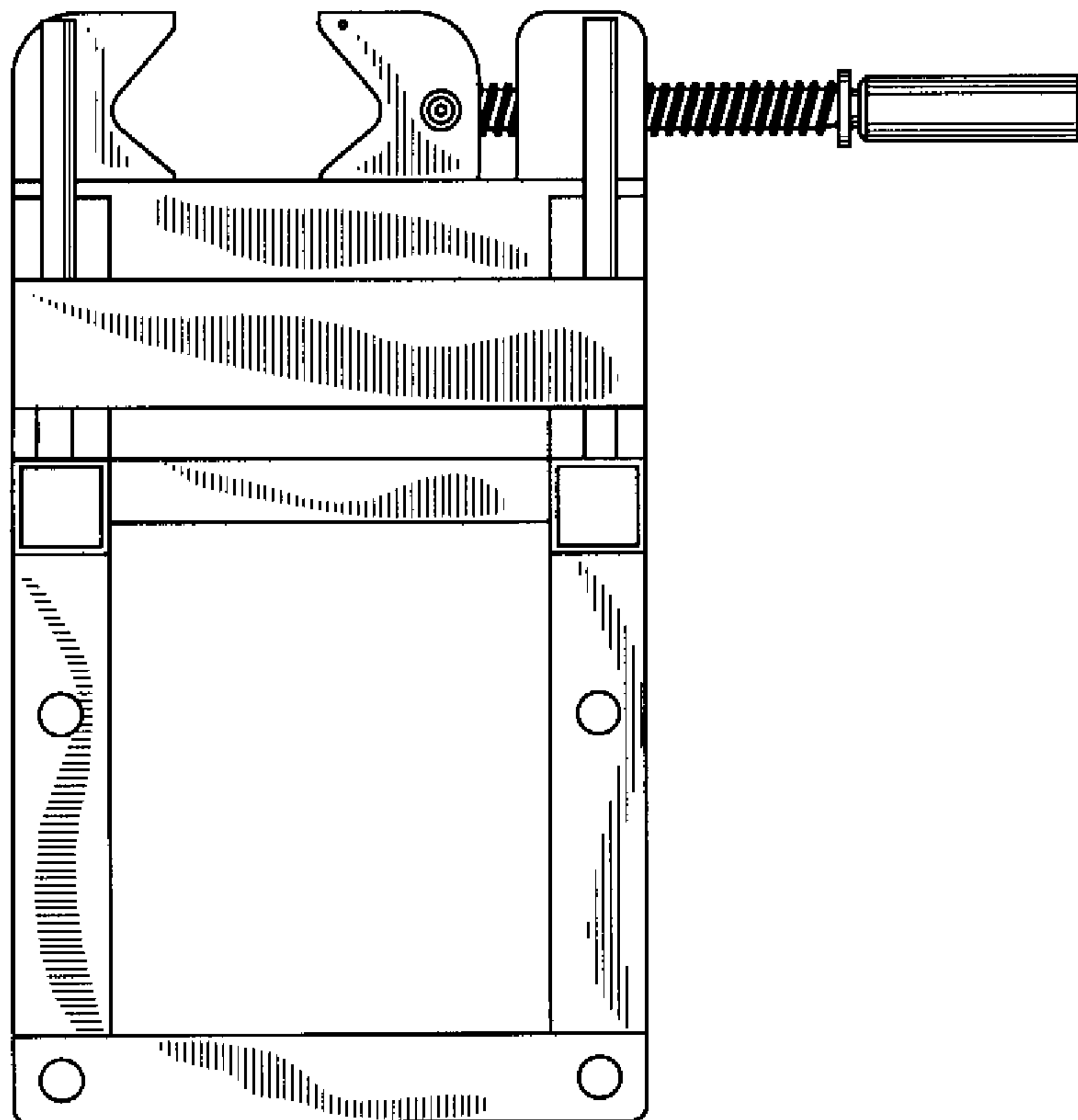


FIG. 6

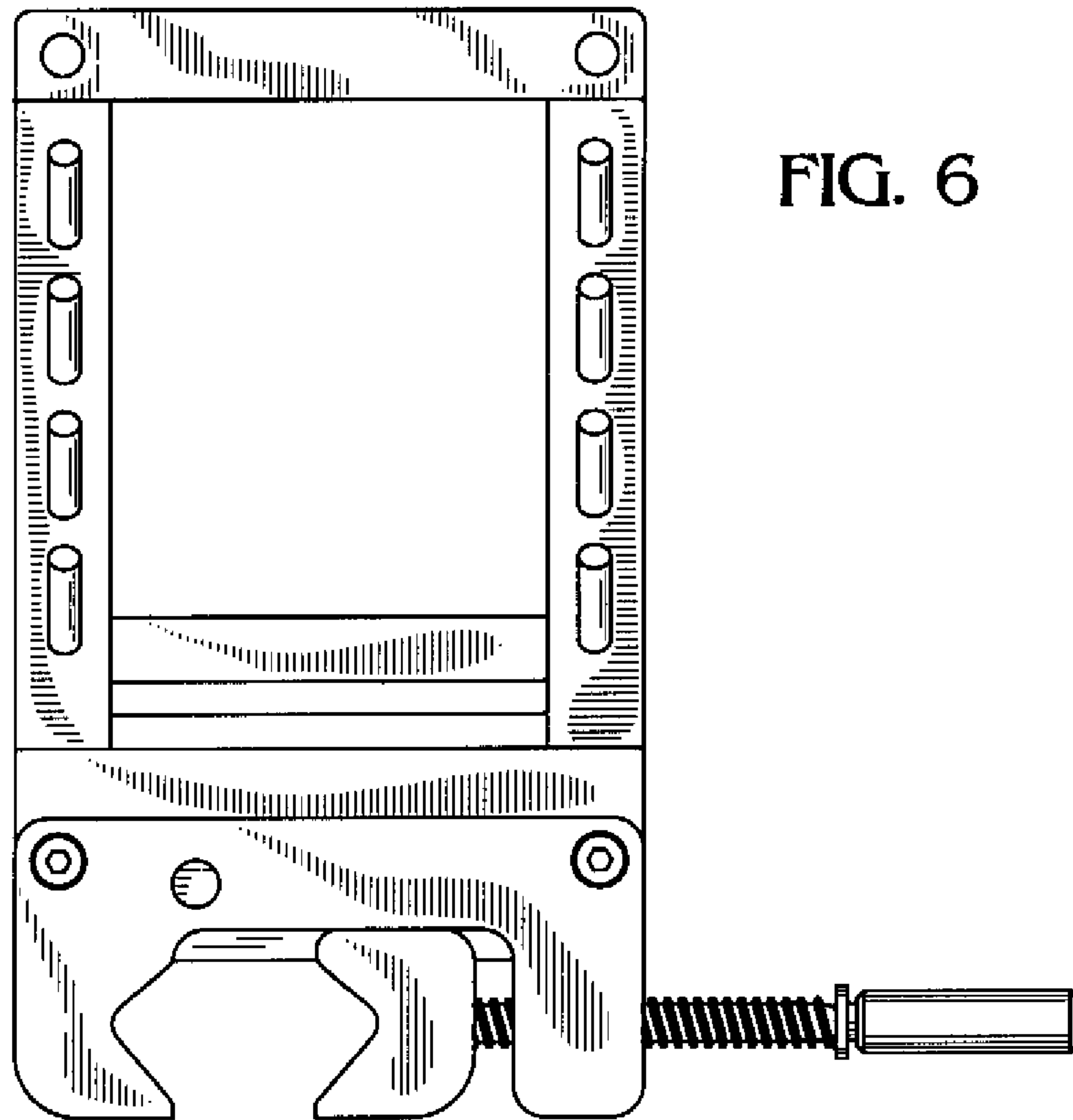


FIG. 7

