



US00D550053S

(12) **United States Design Patent**
Halstead

(10) **Patent No.:** **US D550,053 S**

(45) **Date of Patent:** **** Sep. 4, 2007**

(54) **AIR DIRECTING DEVICE FOR A POWER SAW**

(76) Inventor: **David Halstead**, 5273 Alpine Meadows St., Alta Loma, CA (US) 91737

(**) Term: **14 Years**

(21) Appl. No.: **29/229,433**

(22) Filed: **May 6, 2005**

Related U.S. Application Data

(63) Continuation-in-part of application No. 11/057,295, filed on Feb. 11, 2005.

(51) **LOC (8) Cl.** **08-05**

(52) **U.S. Cl.** **D8/70**

(58) **Field of Classification Search** D8/61, D8/62, 63, 64, 65, 66, 67, 68, 69, 70; D15/133, D15/138, 139, 140; 30/123, 124, 388-391, 30/166.3, 475; 451/164, 344, 351, 353, 356, 451/357, 359, 442, 453, 456; 408/67, 241 S; 173/75; 83/13; 144/35.1

See application file for complete search history.

(56) **References Cited**

U.S. PATENT DOCUMENTS

- 3,525,183 A * 8/1970 Gargrave 451/453
- D292,407 S * 10/1987 Legler et al. D15/133
- 5,074,044 A * 12/1991 Duncan et al. 30/390
- 5,931,072 A * 8/1999 Shibata 451/456

- 6,318,352 B1 * 11/2001 Gnazzo et al. 30/124
- 6,557,261 B1 * 5/2003 Buser et al. 30/124
- 6,648,742 B1 * 11/2003 Segiel, Jr. 451/453
- 6,802,766 B2 * 10/2004 Liu 451/356
- D499,625 S * 12/2004 Stirm D8/70
- 2004/0107584 A1 * 6/2004 Yoshida et al. 30/391

* cited by examiner

Primary Examiner—T. Chase Nelson
(74) *Attorney, Agent, or Firm*—Eric Karich

(57) **CLAIM**

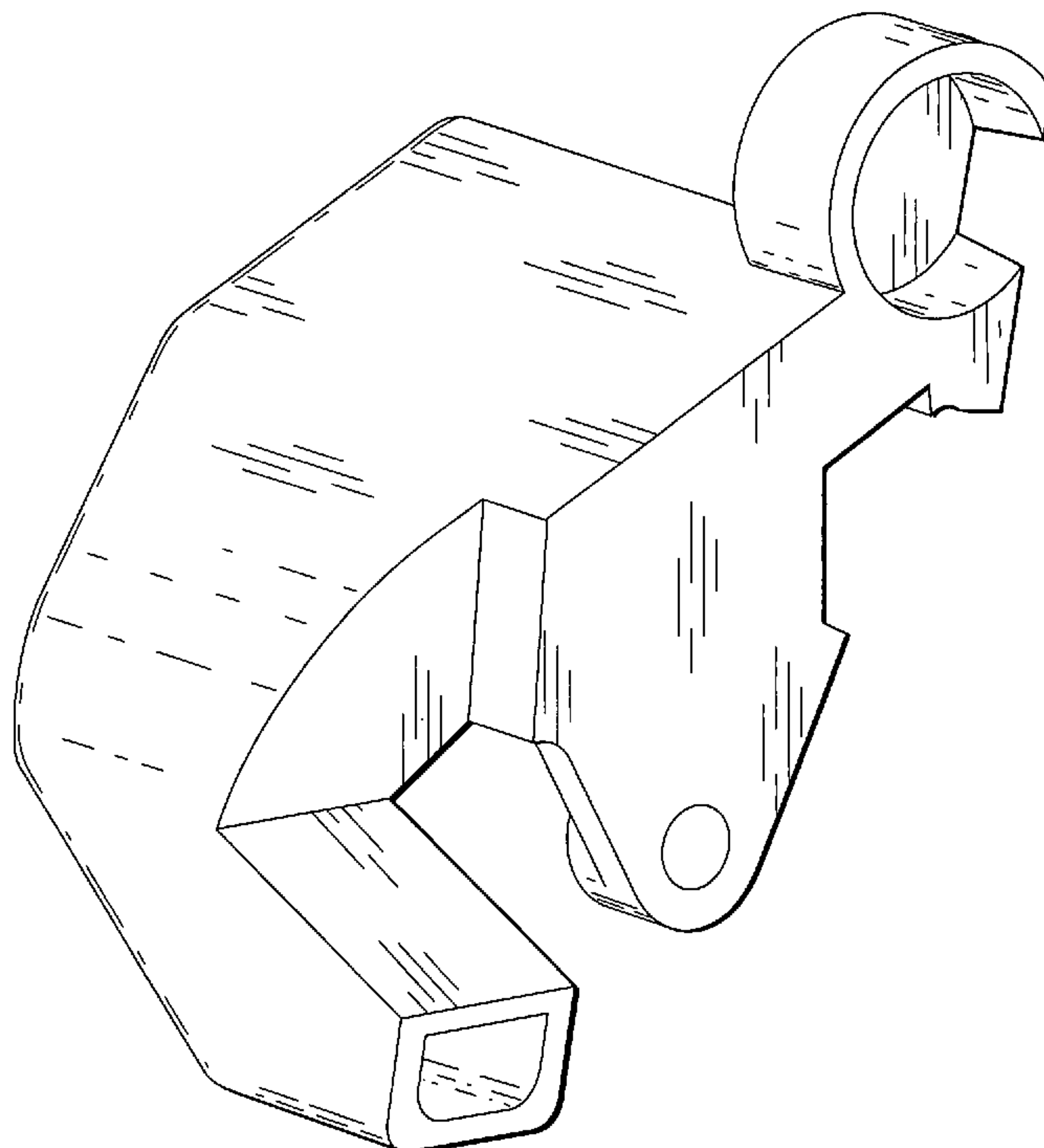
The ornamental design for an “air directing device for a power saw,” as shown and described.

DESCRIPTION

FIG. 1 is a perspective view of an air directing device for a power saw, showing my new design;
FIG. 2 is a left side elevational view thereof;
FIG. 3 is a right side elevational view thereof;
FIG. 4 is a rear elevational view thereof;
FIG. 5 is a front elevational view thereof;
FIG. 6 is a top plan view thereof; and,
FIG. 7 is a bottom plan view thereof.

The broken line showing of elevational planes is for illustrative purposes only and forms no part of the claimed design.

1 Claim, 7 Drawing Sheets



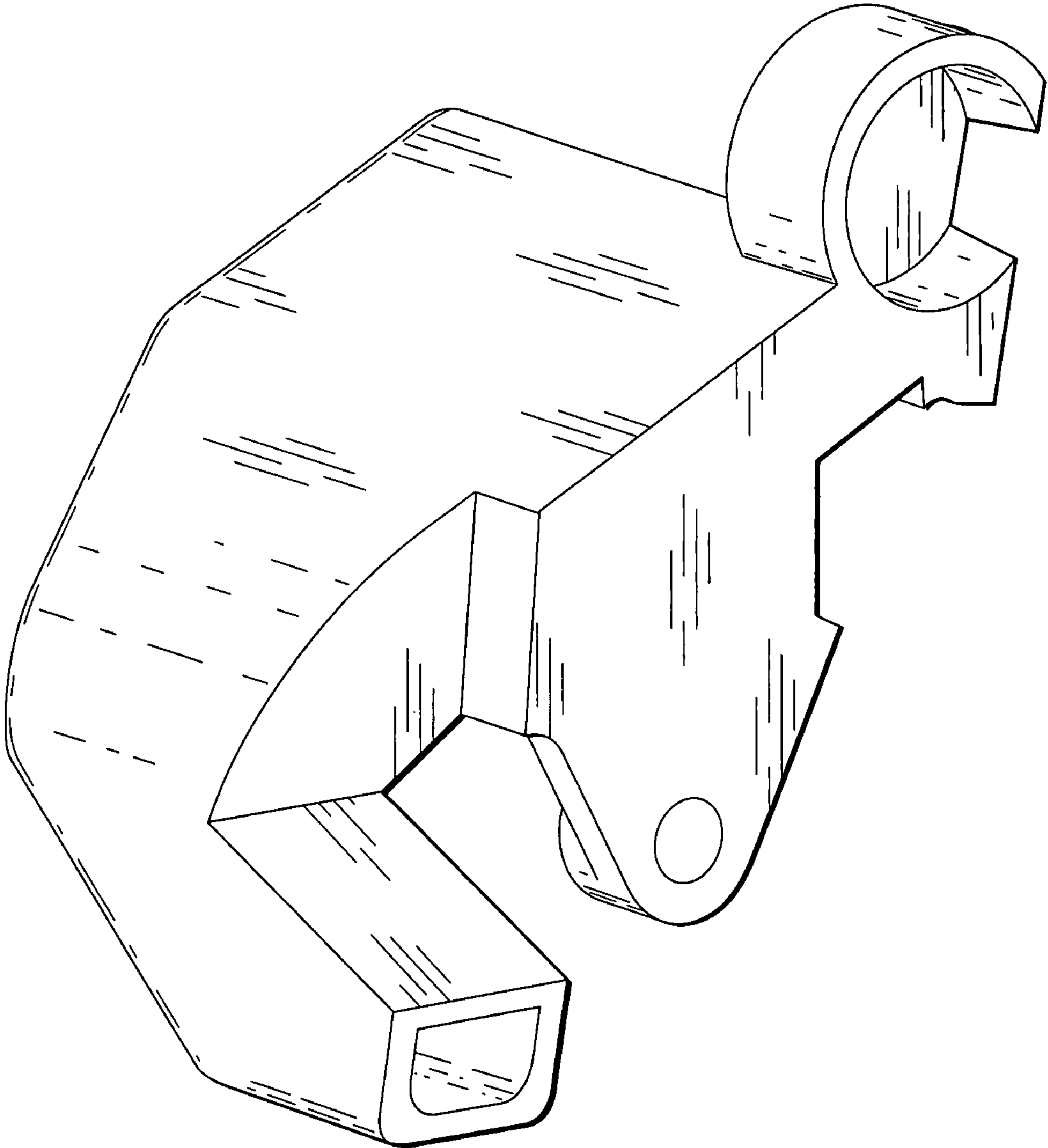


Fig. 1

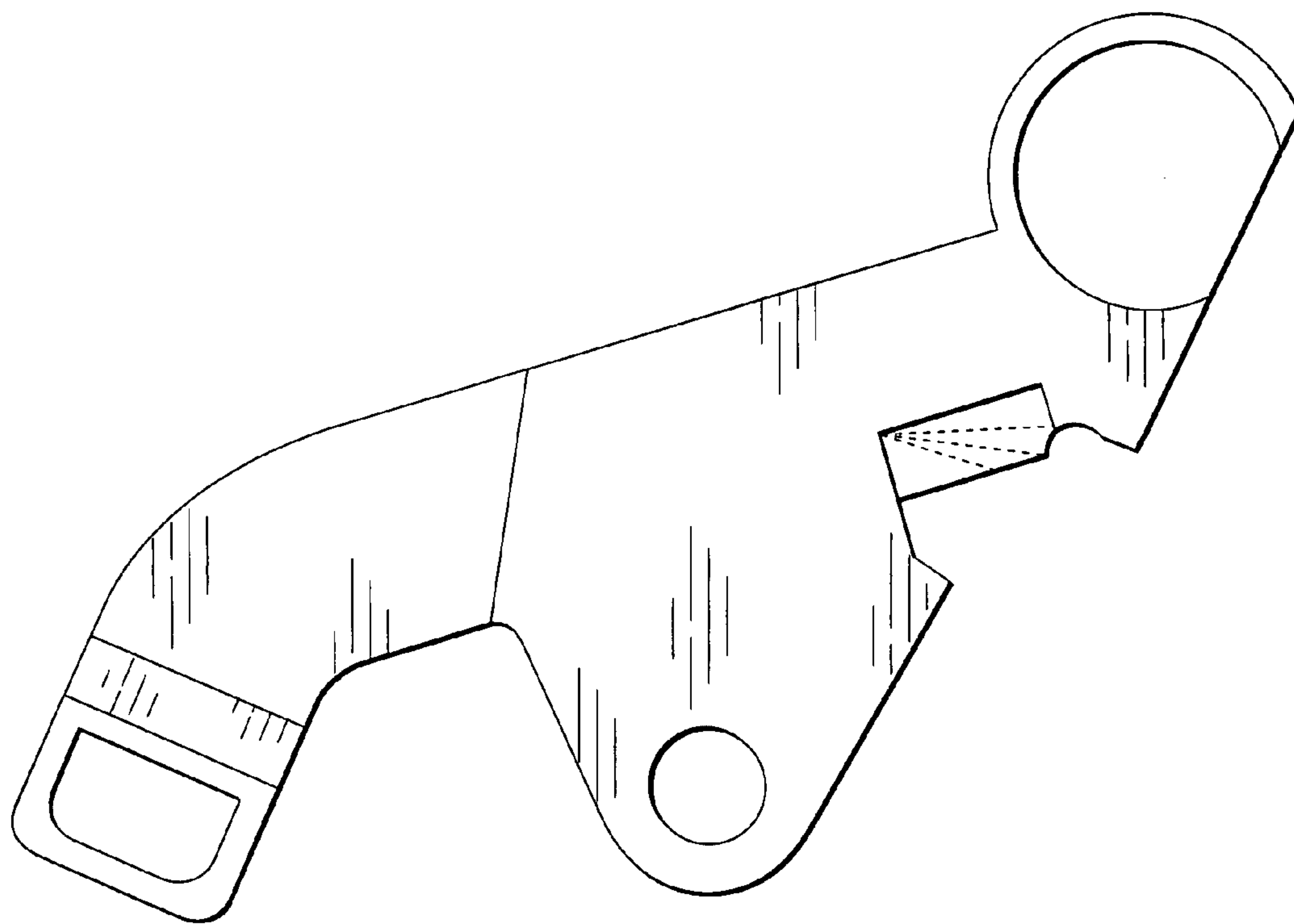


Fig. 2

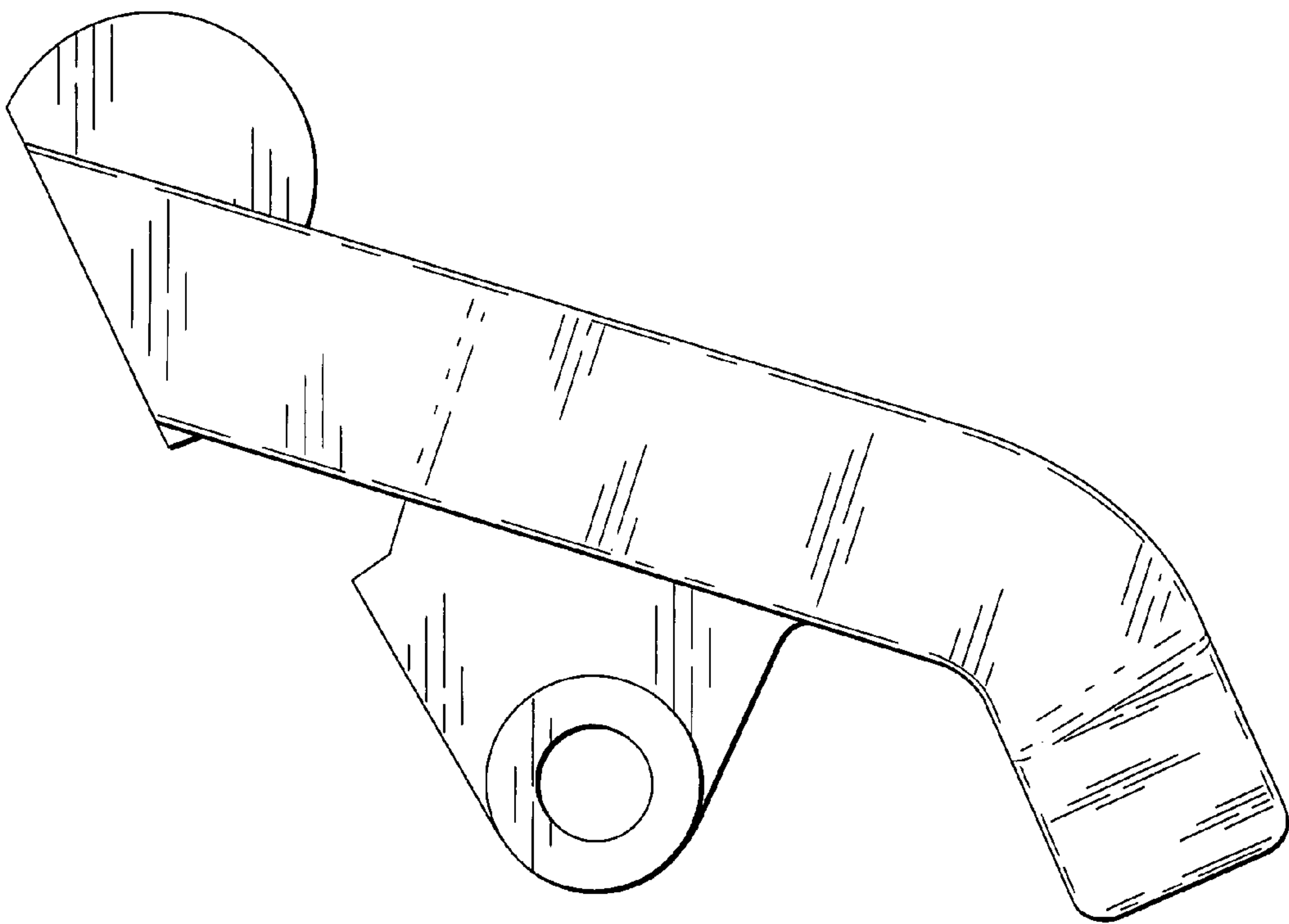


Fig. 3

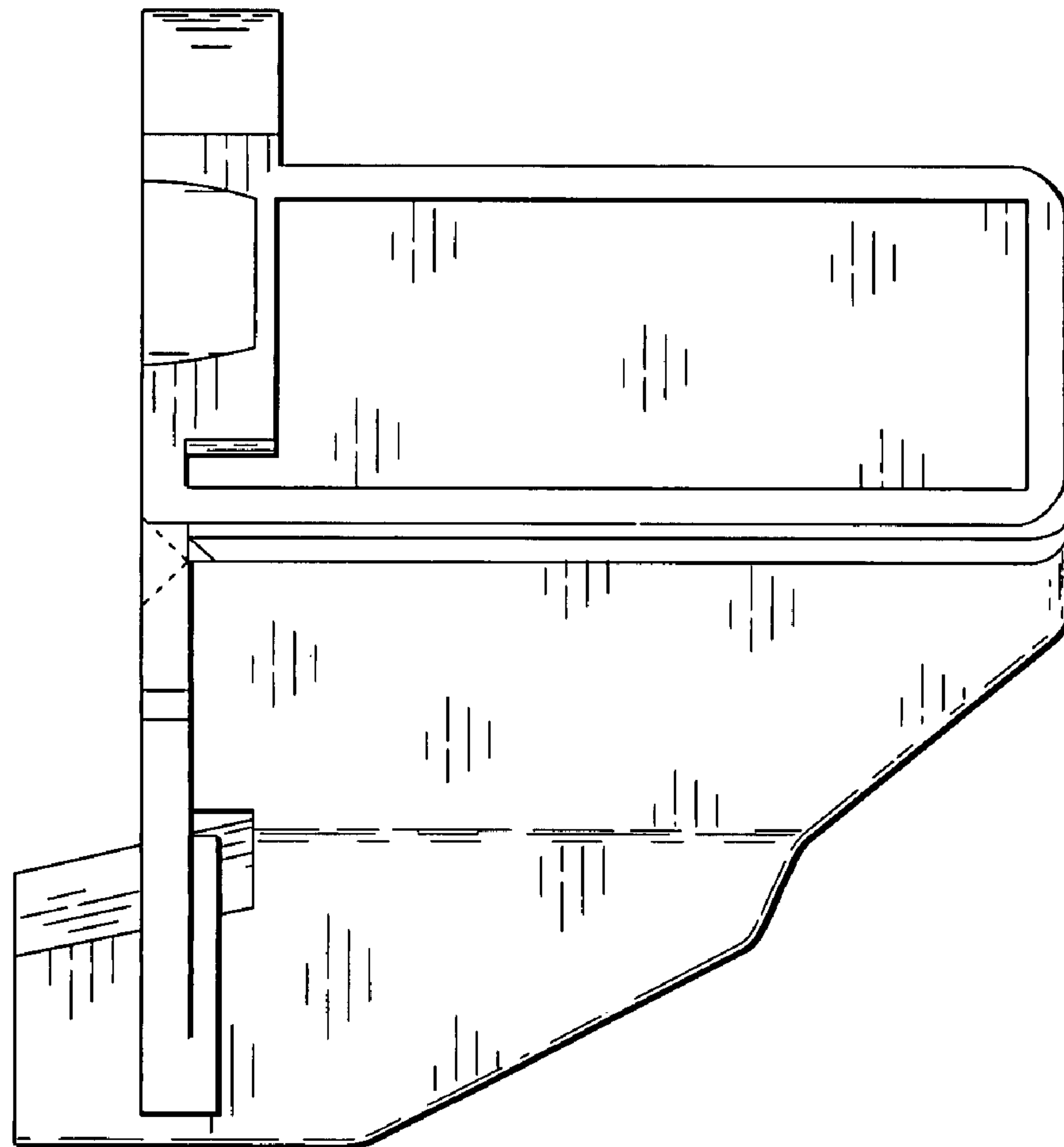


Fig. 4

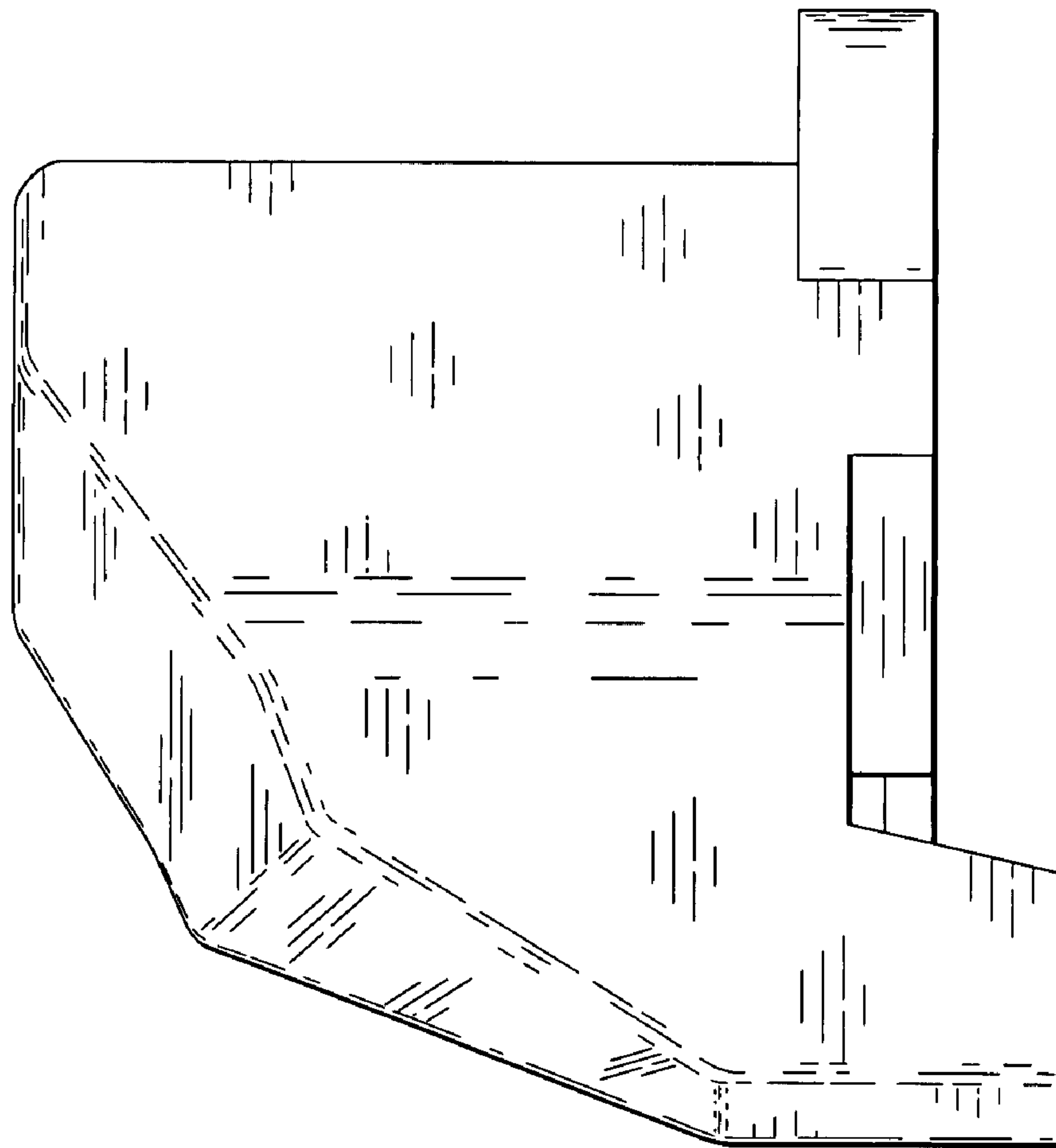


Fig. 5

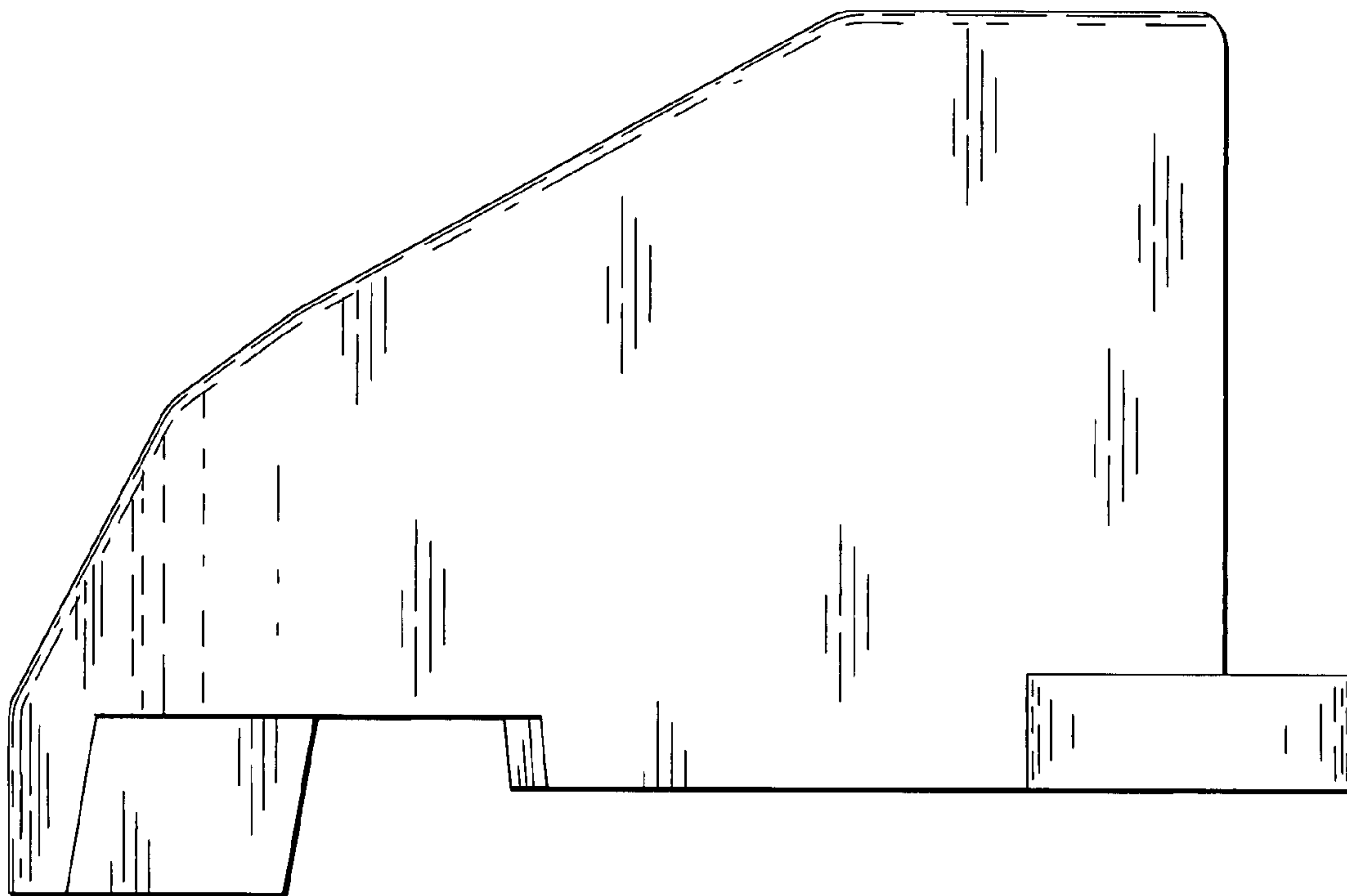


Fig. 6

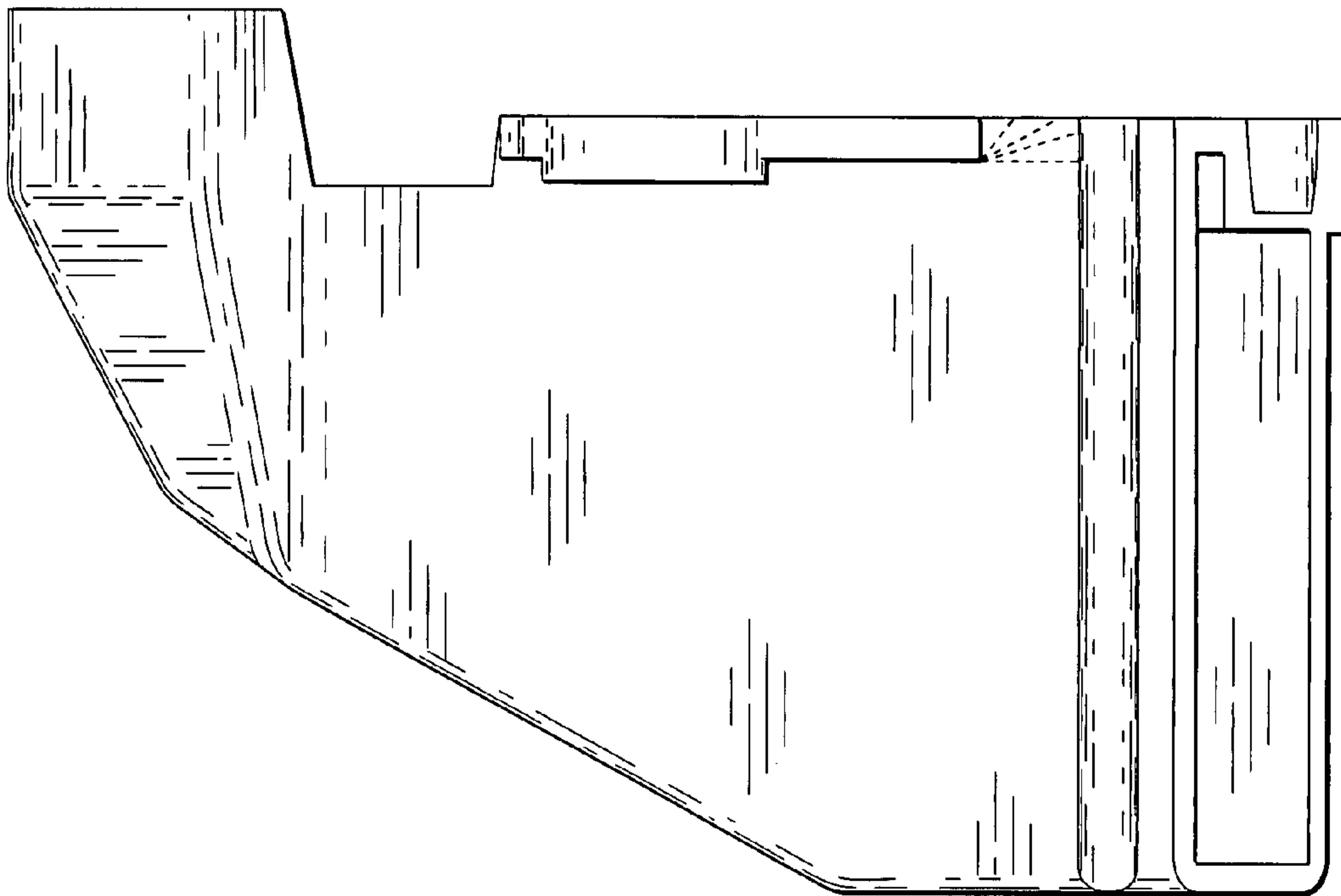


Fig. 7