



US00D550052S

(12) **United States Design Patent**
Lee

(10) **Patent No.:** **US D550,052 S**

(45) **Date of Patent:** **** Sep. 4, 2007**

(54) **ROTARY DRIVING TOOL**

(75) Inventor: **Timothy Lee, Hong Kong (CN)**

(73) Assignee: **Winsource Industries, Ltd (CN)**

(**) Term: **14 Years**

(21) Appl. No.: **29/265,806**

(22) Filed: **Sep. 8, 2006**

(51) **LOC (8) Cl.** **08-05**

(52) **U.S. Cl.** **D8/68**

(58) **Field of Classification Search** D8/14.1,
D8/61, 62, 63, 64, 65, 66, 67, 68, 69, 70;
81/57.11, 429, 464, 465, 466, 469, 489; 173/13,
173/104, 114, 168, 169, 170, 171, 178, 201,
173/211, 213, 217; 408/20, 124, 125, 234,
408/241 R; 451/358; 310/50; 227/8, 10,
227/113, 114, 120, 130, 136, 142
See application file for complete search history.

(56) **References Cited**

U.S. PATENT DOCUMENTS

- D154,713 S * 8/1949 Robillard D8/68
- 4,448,098 A * 5/1984 Totsu 81/57.11
- D326,400 S * 5/1992 Fushiya et al. D8/68

- D475,909 S * 6/2003 Waldron D8/68
- D502,854 S 3/2005 Ng
- D524,133 S * 7/2006 Wu D8/68
- D524,625 S * 7/2006 Wu D8/68
- D527,236 S * 8/2006 Wu D8/68
- D532,666 S * 11/2006 Chi D8/68
- 2004/0188119 A1 * 9/2004 Chen 173/217

* cited by examiner

Primary Examiner—T. Chase Nelson

(74) *Attorney, Agent, or Firm*—Stephen D. Carver

(57) **CLAIM**

The ornamental design for a rotary driving tool, as shown.

DESCRIPTION

FIG. 1 is a right side elevational view of my rotary driving tool showing my new design;

FIG. 2 is a rear elevational view thereof;

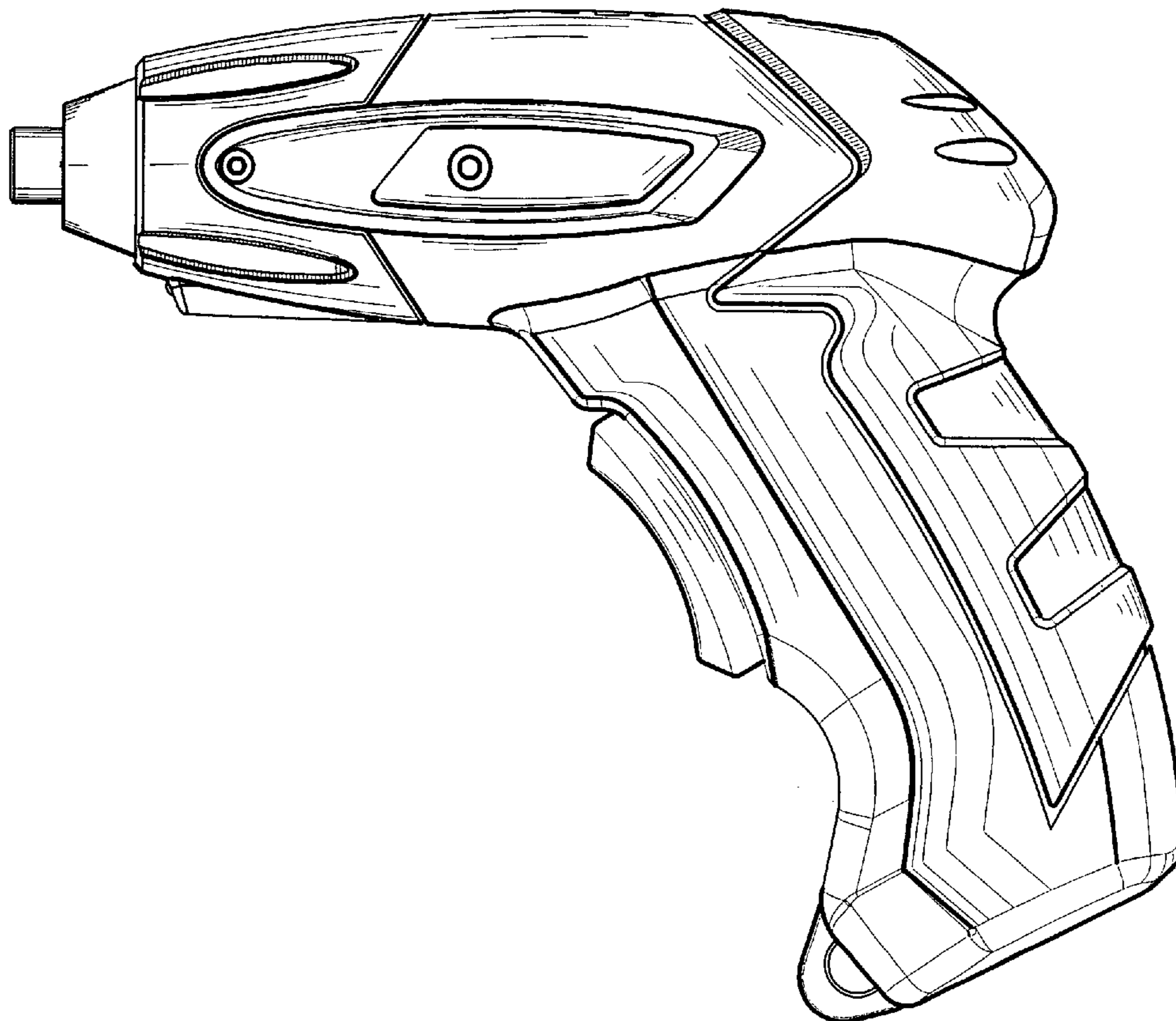
FIG. 3 is a front elevational view thereof;

FIG. 4 is a bottom plan view thereof;

FIG. 5 is a top plan view thereof; and,

FIG. 6 is a left side elevational view thereof.

1 Claim, 4 Drawing Sheets



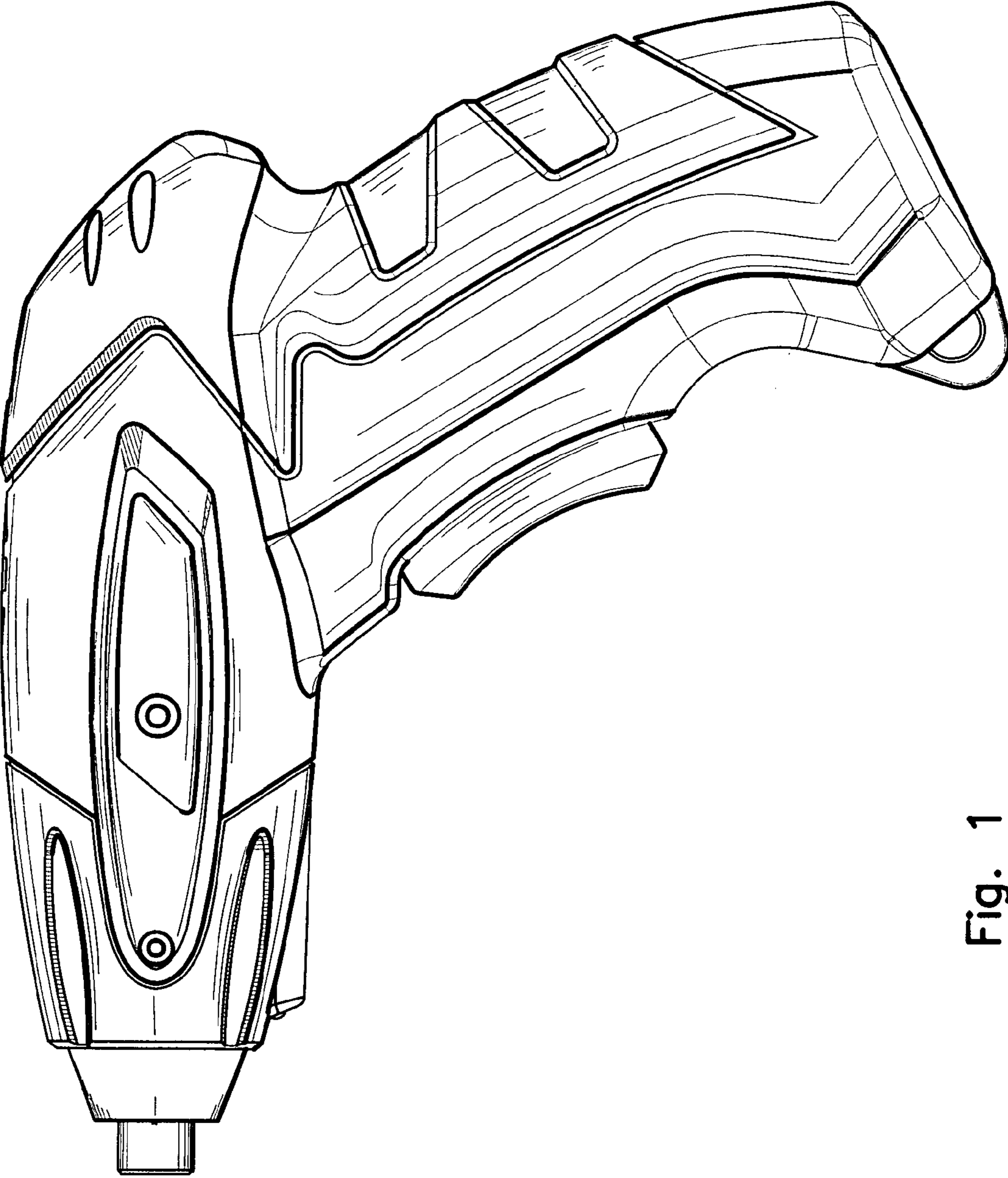


Fig. 1

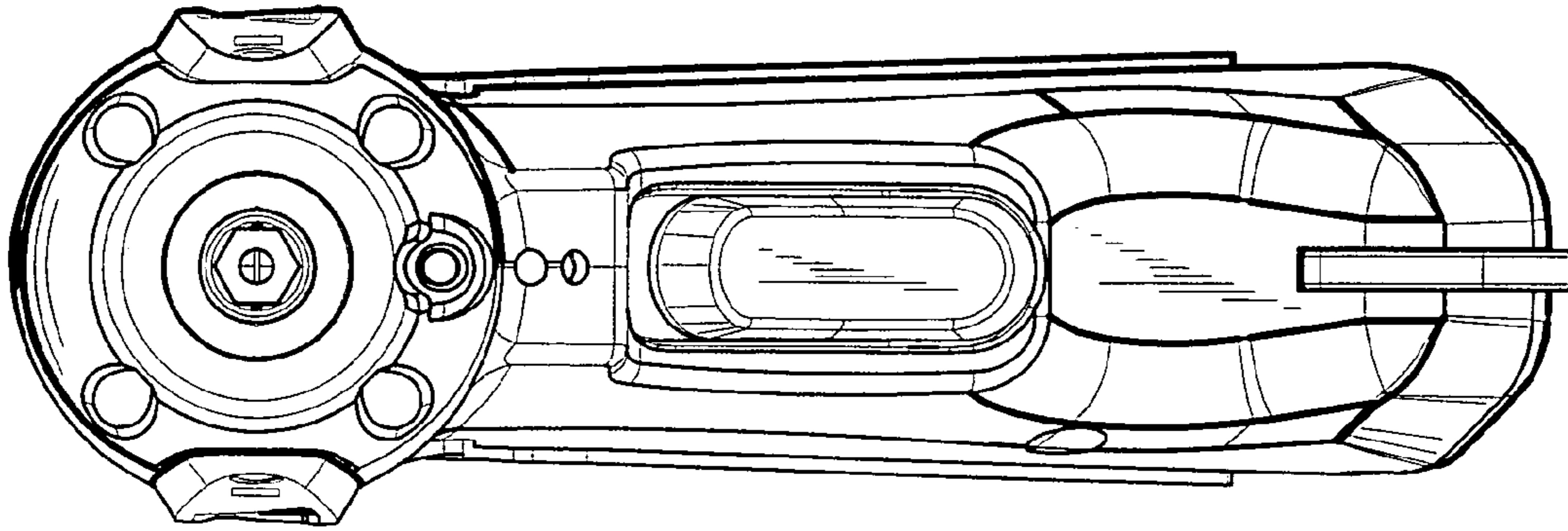


Fig. 3

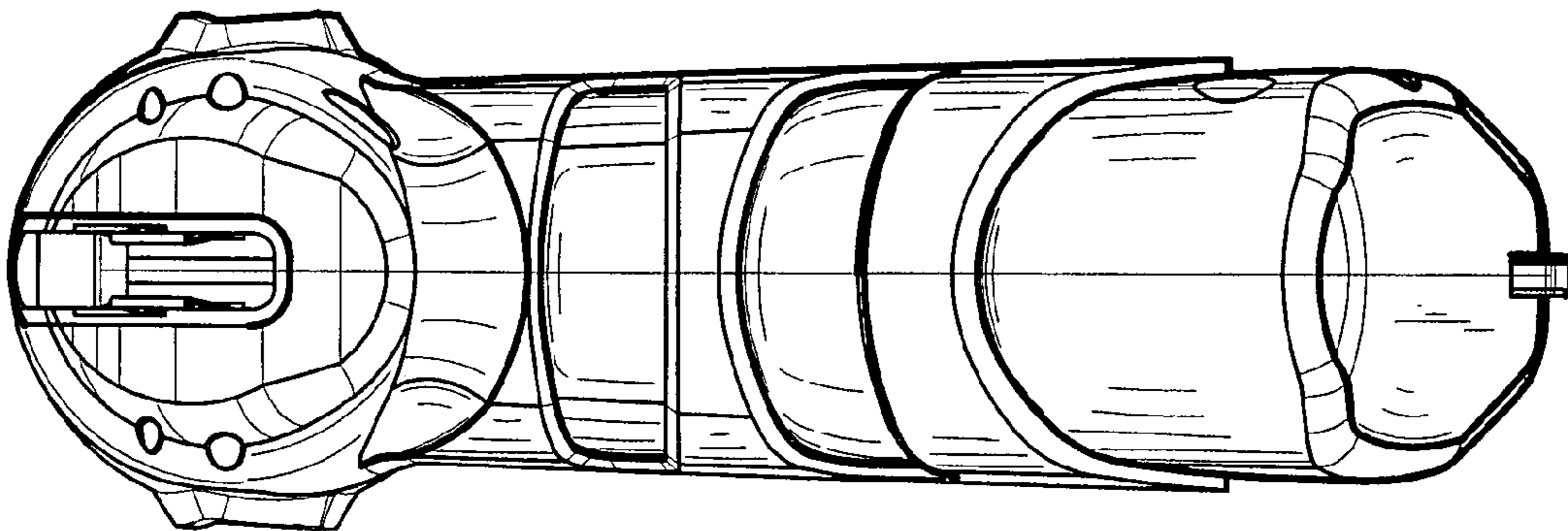


Fig. 2

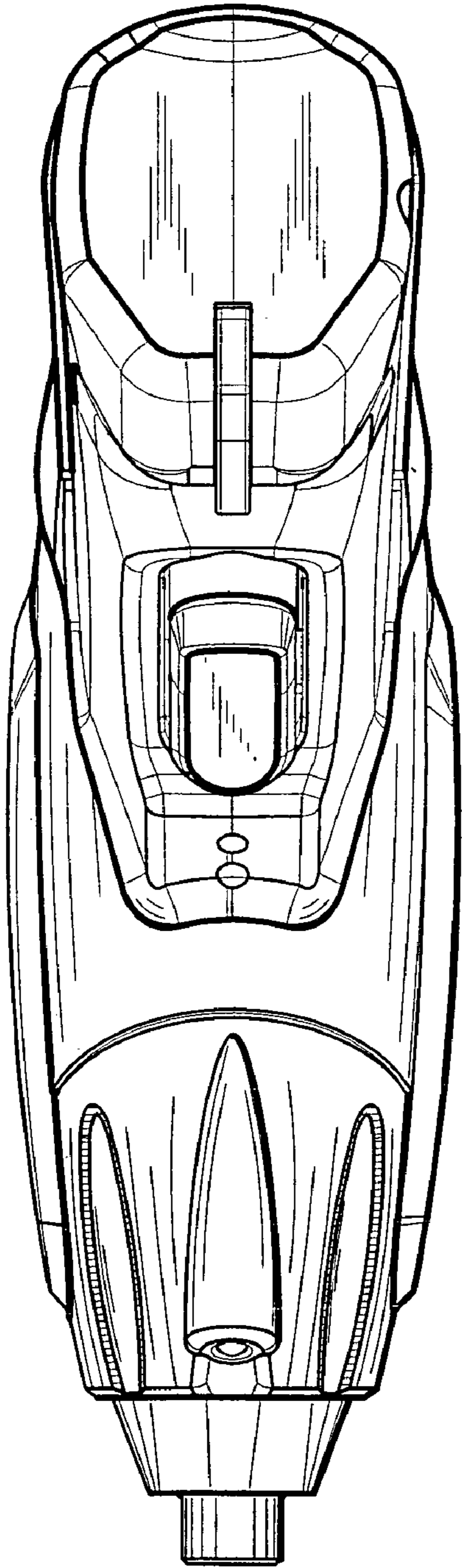


Fig. 4

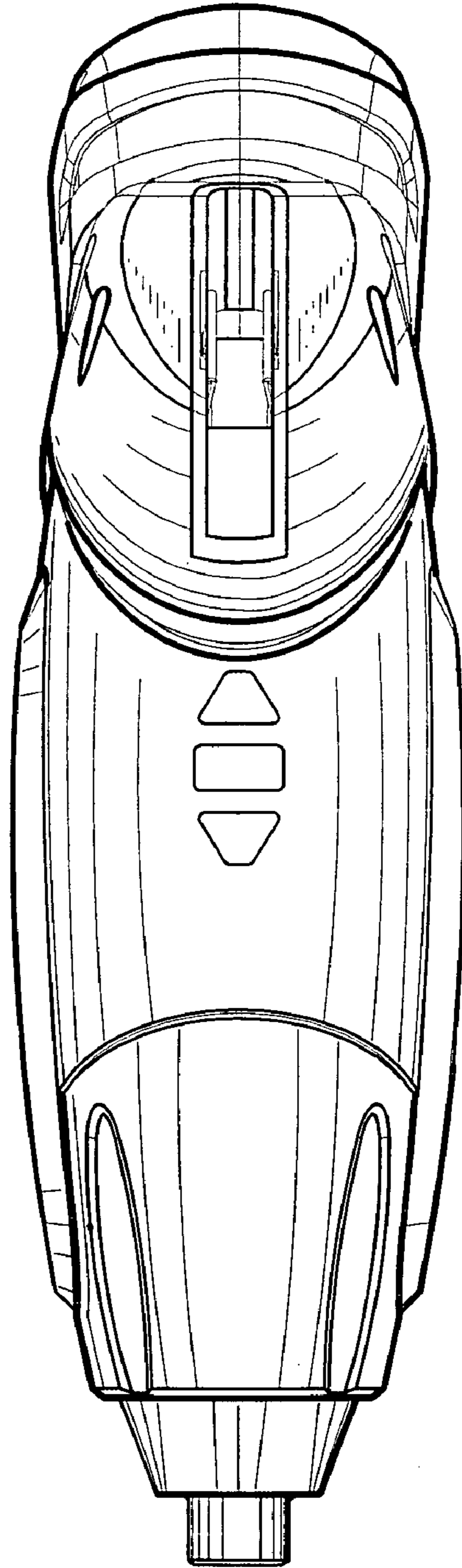


Fig. 5

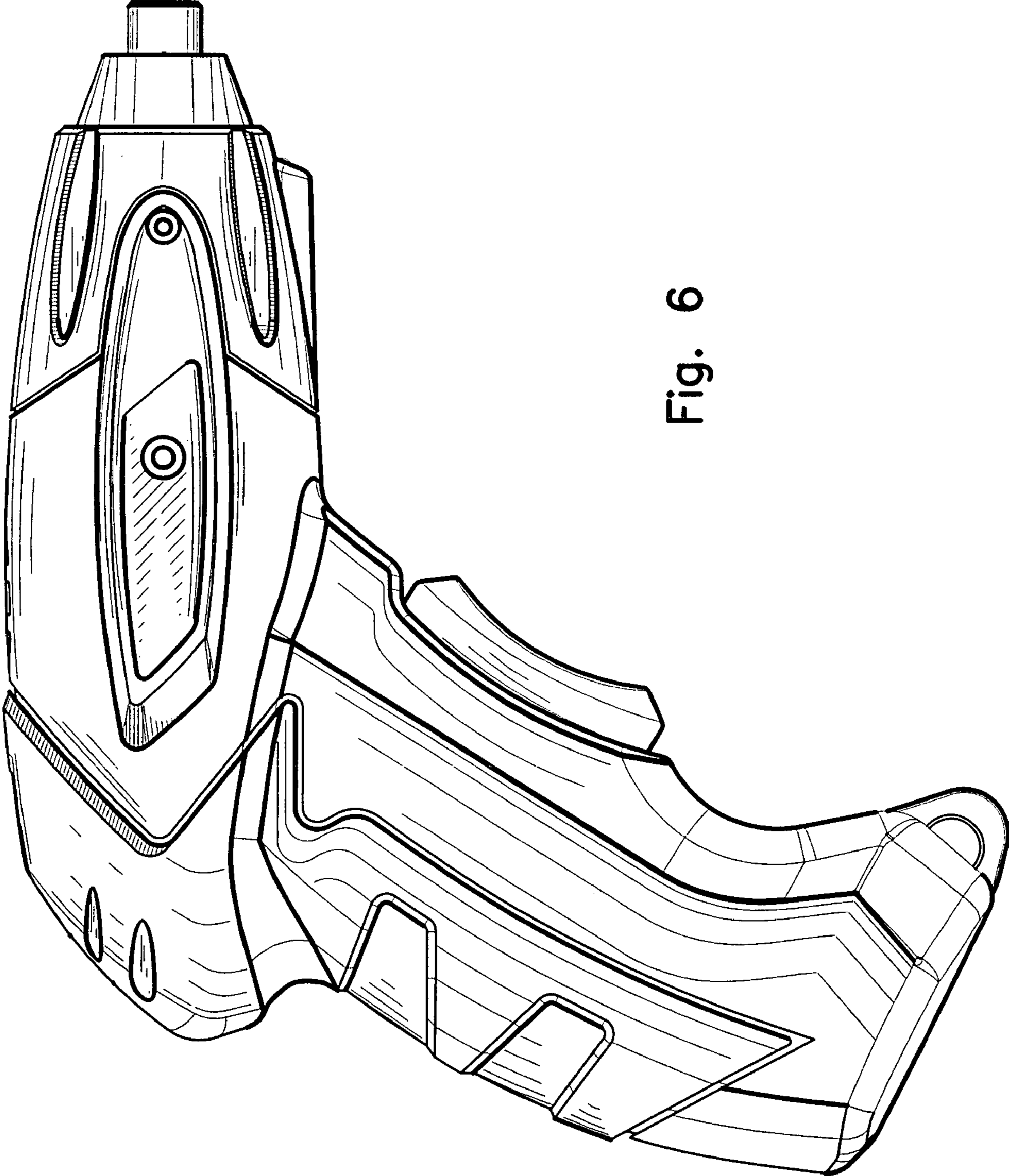


Fig. 6