



US00D550049S

(12) **United States Design Patent** (10) **Patent No.:** **US D550,049 S**
Peng (45) **Date of Patent:** **** Sep. 4, 2007**

(54) **WRENCH SOCKET**

(76) Inventor: **Chia Hui Peng**, No. 84, Damin 1st Road, Donbau Tsuen, Tanz Hsiang, Taichung Hsien 42747 (TW)

(**) Term: **14 Years**

(21) Appl. No.: **29/265,821**

(22) Filed: **Sep. 8, 2006**

Related U.S. Application Data

(63) Continuation-in-part of application No. 11/335,386, filed on Jan. 19, 2006, now abandoned.

(51) **LOC (8) Cl.** **08-05**

(52) **U.S. Cl.** **D8/29**

(58) **Field of Classification Search** D8/21-29;
81/119, 121.1, 120, 124.3, 124.4, 124.6, 124.7,
81/125, 177.1, 177.2, 177.85, 436, 177.6,
81/180, 186, 58-63.2, 3.09, 486, 158, 122,
81/53.2, 441

See application file for complete search history.

(56) **References Cited**

U.S. PATENT DOCUMENTS

4,699,029	A *	10/1987	Kelly et al.	81/121.1
5,012,706	A *	5/1991	Wright et al.	81/121.1
5,476,024	A *	12/1995	Hsieh	81/121.1
5,509,333	A *	4/1996	Rion	81/180.1
5,791,848	A *	8/1998	Lanham	411/373
5,996,446	A *	12/1999	Lee	81/128
6,626,067	B1 *	9/2003	Iwinski et al.	81/121.1

6,971,286	B2 *	12/2005	Hu	81/63.2
7,032,478	B2 *	4/2006	Hu	81/124.3
D524,615	S *	7/2006	Albertson	D8/29
D526,172	S *	8/2006	Lin	D8/29
2002/0178872	A1 *	12/2002	Ferrantelli	81/124.3

* cited by examiner

Primary Examiner—Raphael Barkai
Assistant Examiner—Randall H. Gholson
(74) *Attorney, Agent, or Firm*—Charles E. Baxley

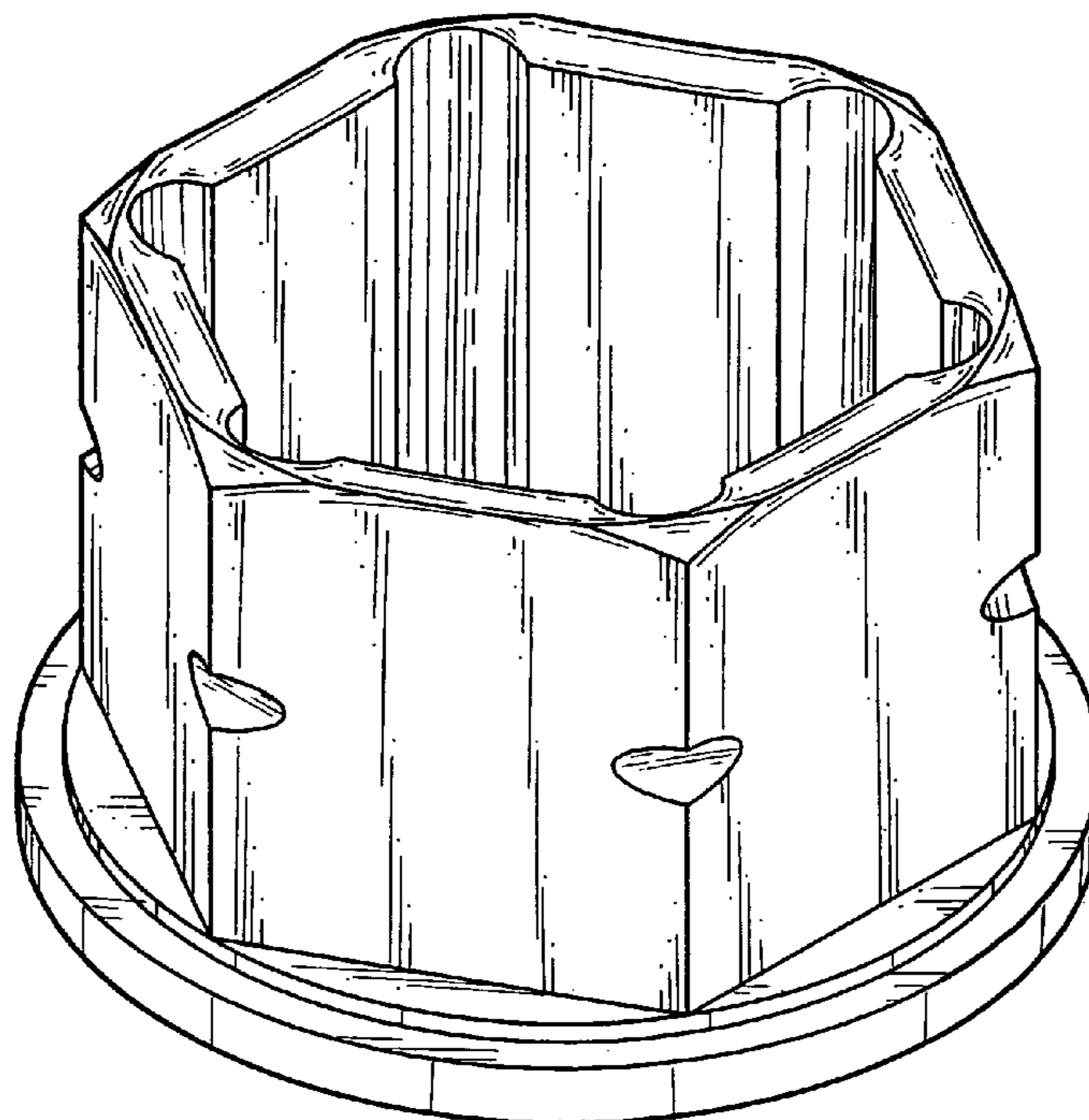
(57) **CLAIM**

The ornamental design for a wrench socket, as shown and described.

DESCRIPTION

FIG. 1 is a perspective view of a wrench socket showing my new design;
FIG. 2 is a front elevational view thereof;
FIG. 3 is a rear elevational view thereof;
FIG. 4 is a top plan view thereof;
FIG. 5 is a bottom plan view thereof;
FIG. 6 is a left side elevational view thereof;
FIG. 7 is a right side elevational view thereof; and,
FIG. 8 is a perspective view thereof in a reduced size, the driving tool depicted by means of broken lines being for illustrative purposes only and forming no part of the claimed design.

1 Claim, 6 Drawing Sheets



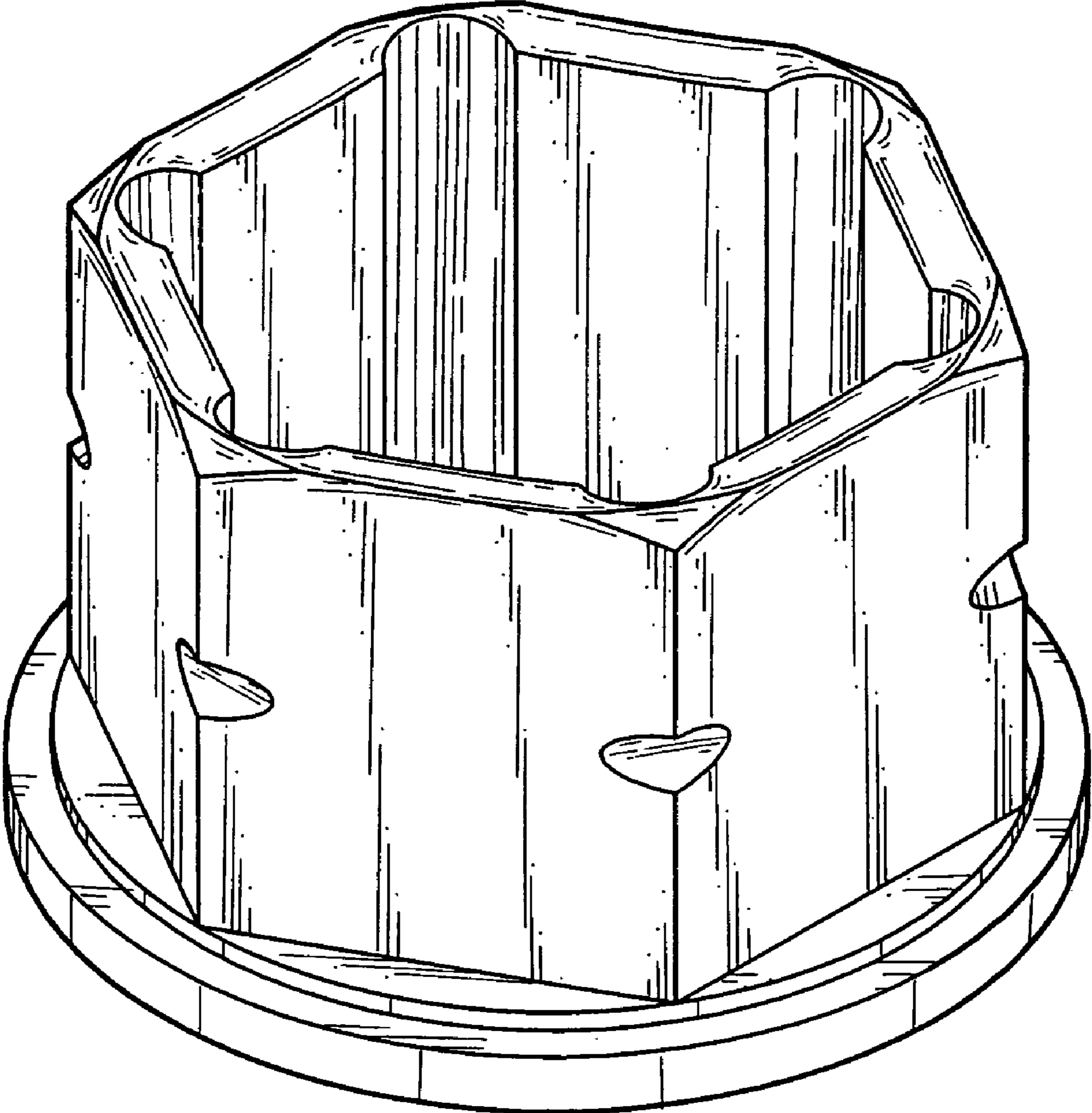


FIG. 1

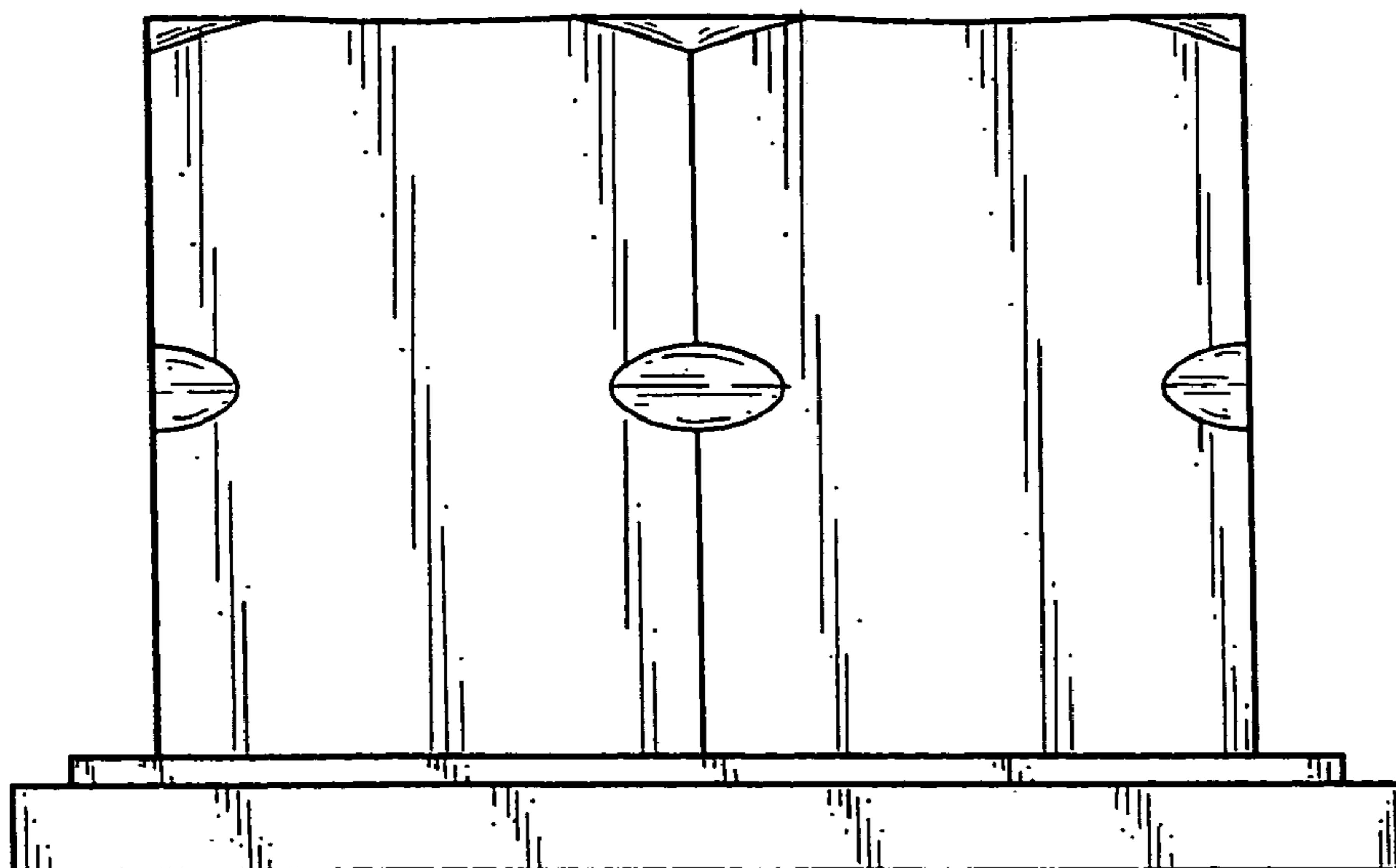


FIG. 2

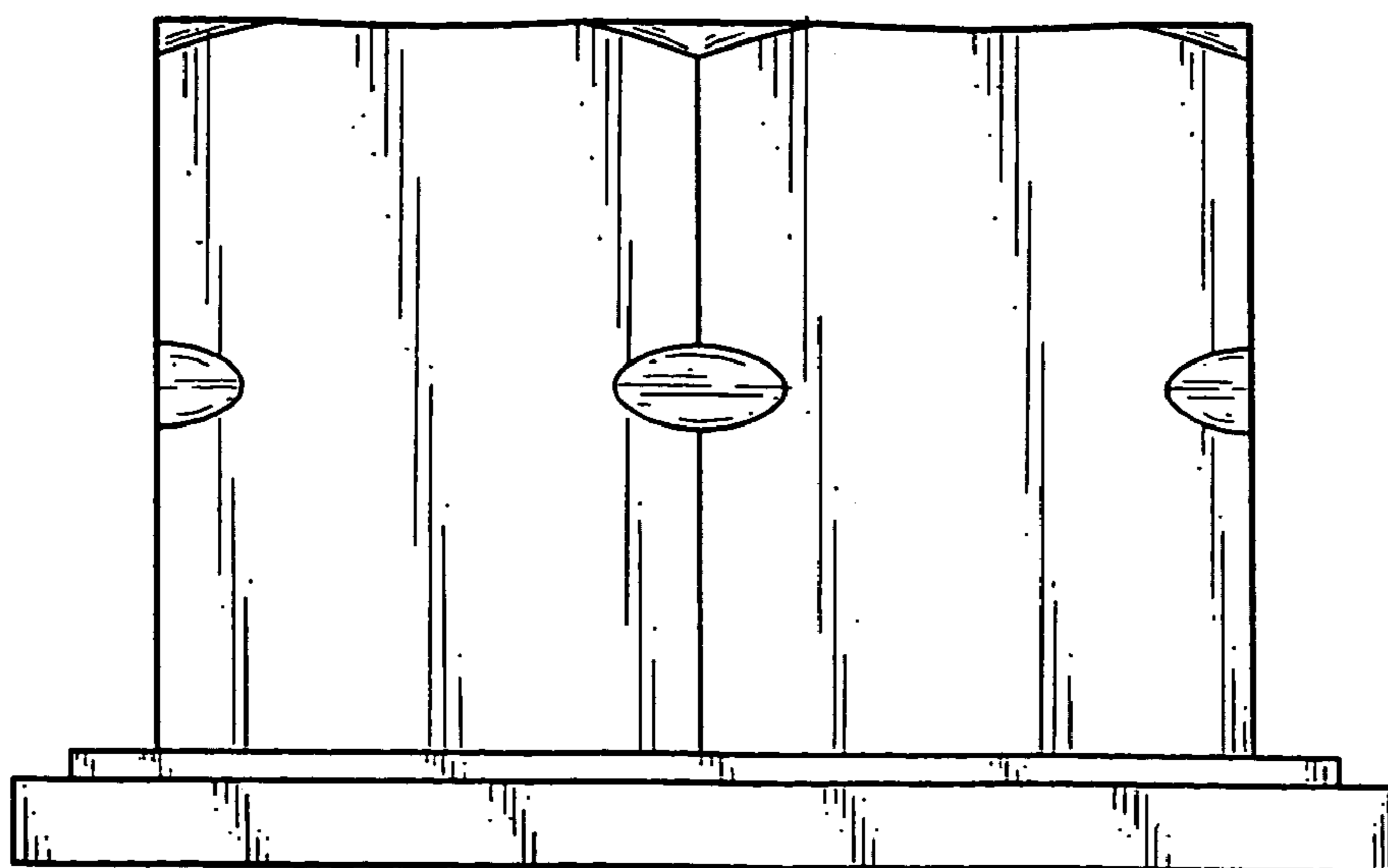


FIG. 3

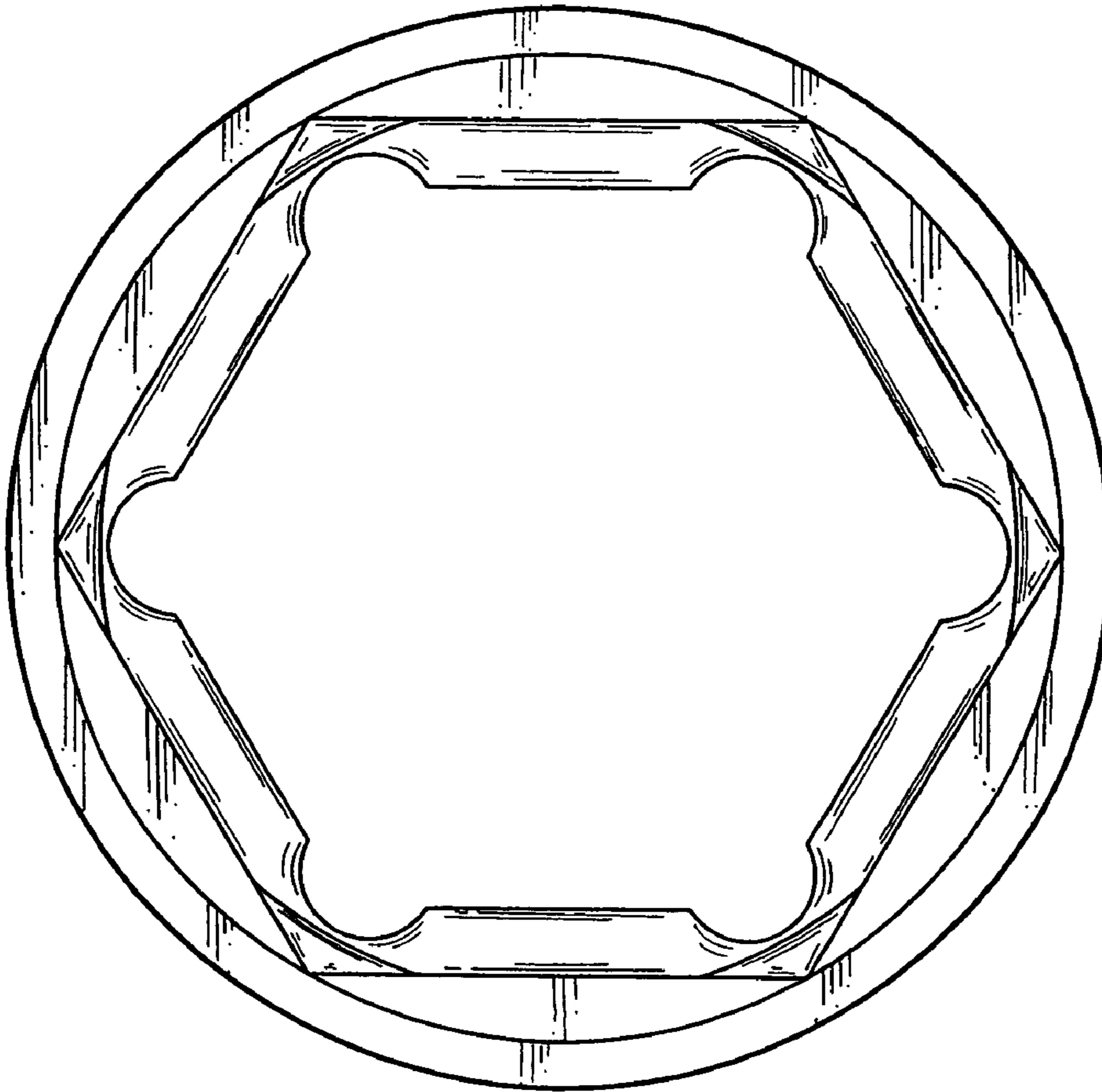


FIG. 4

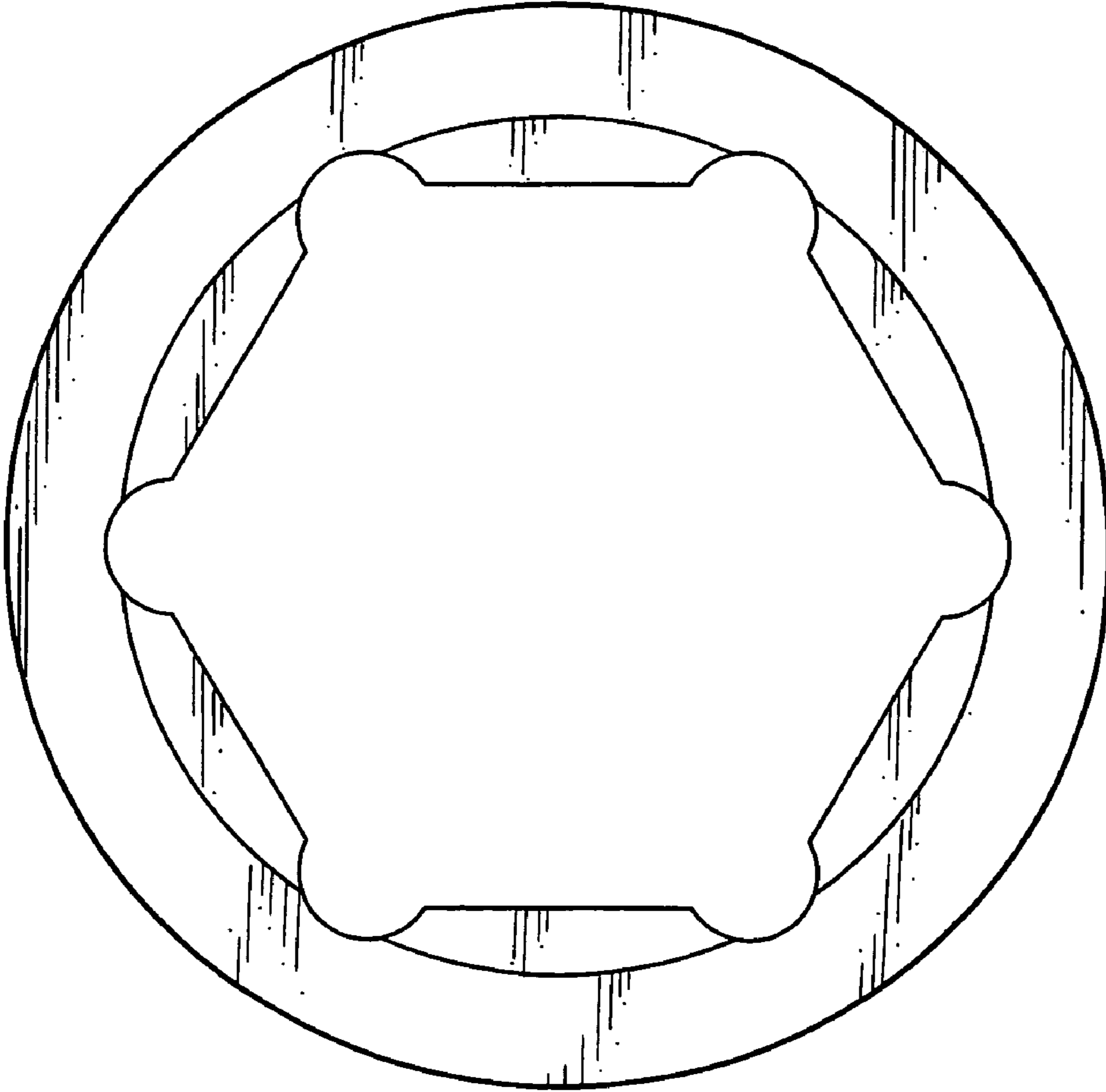


FIG. 5

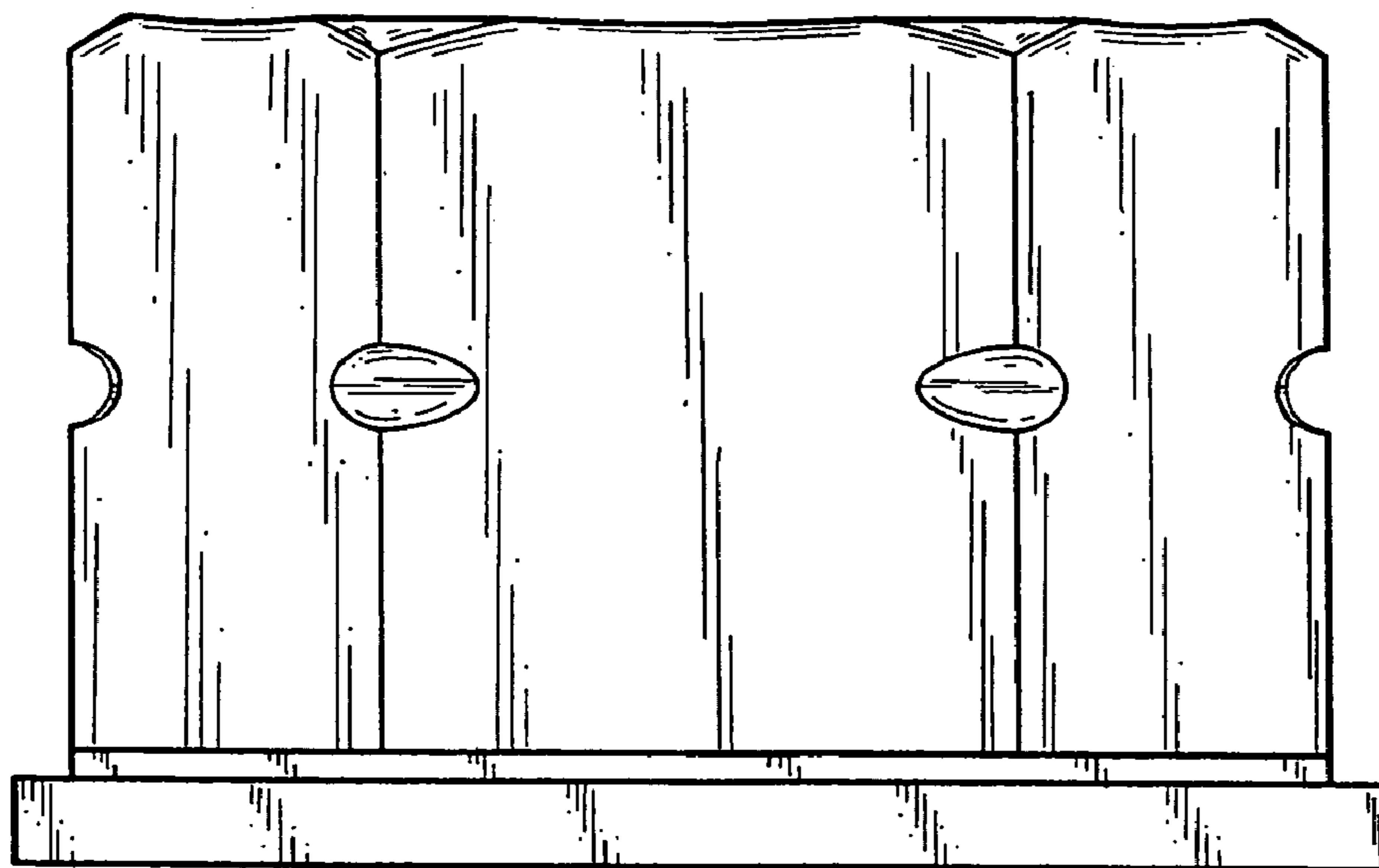


FIG. 6

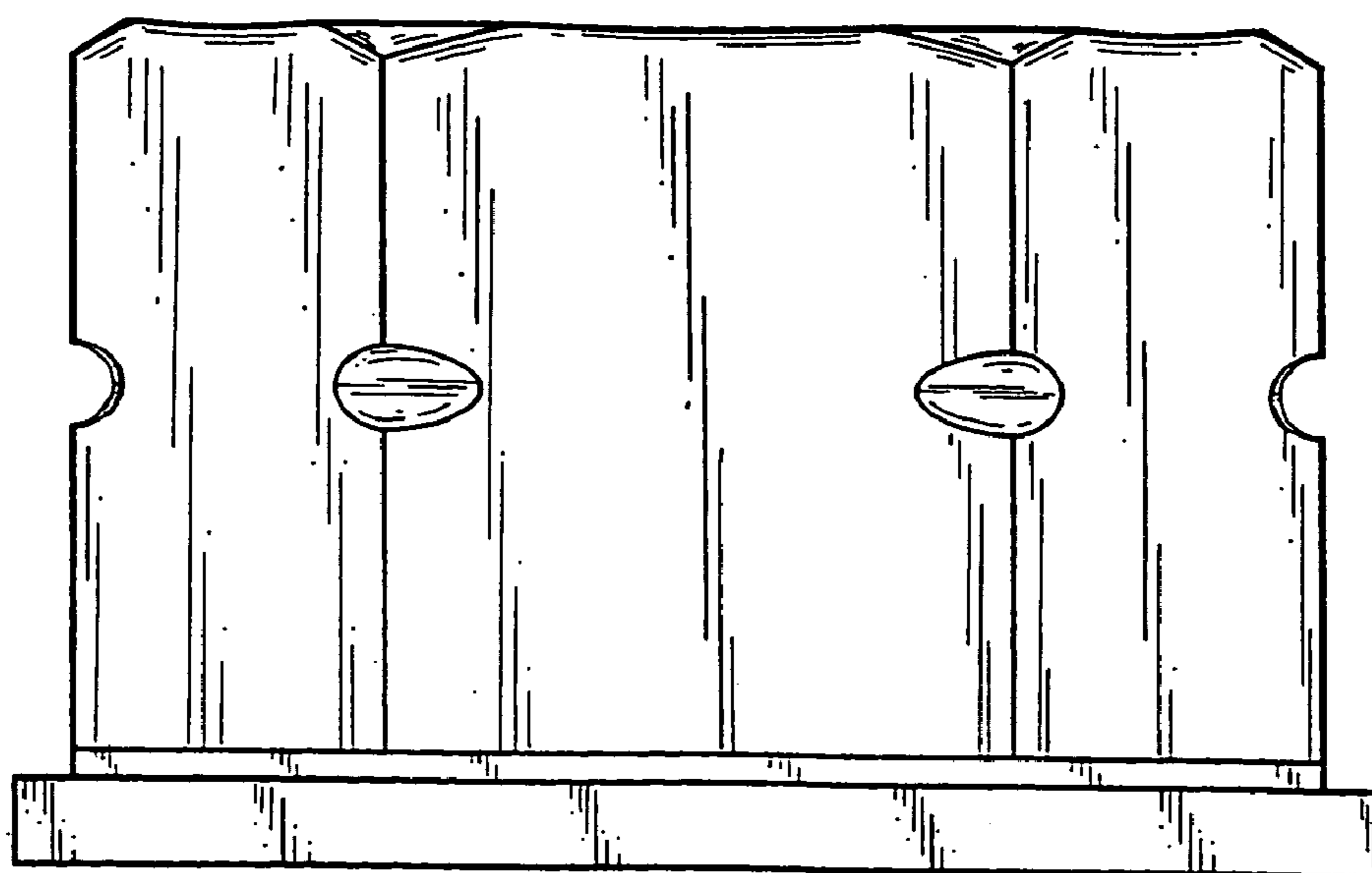


FIG. 7

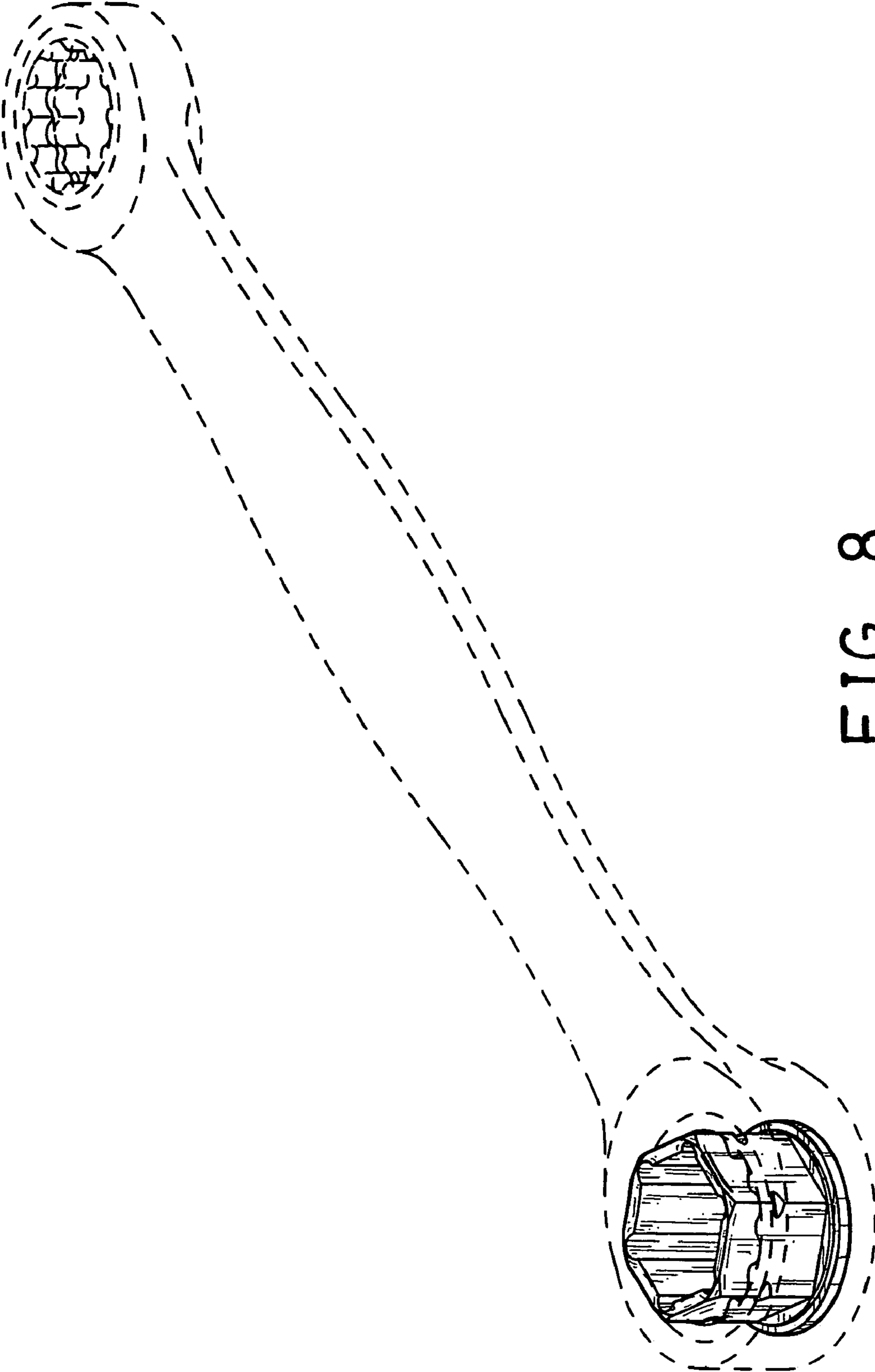


FIG. 8