



US00D550048S

(12) **United States Design Patent**  
**Robson**

(10) **Patent No.:** **US D550,048 S**

(45) **Date of Patent:** **\*\* Sep. 4, 2007**

(54) **VEGETATION PRUNING DEVICE**

(75) Inventor: **Nigel Robson**, Tyne & Wear (GB)

(73) Assignee: **Black & Decker Inc.**, Newark, DE (US)

(\*\*) Term: **14 Years**

(21) Appl. No.: **29/222,639**

(22) Filed: **Feb. 2, 2005**

(30) **Foreign Application Priority Data**

Aug. 5, 2004 (EM) ..... 000210695

(51) **LOC (8) Cl.** ..... **08-01**

(52) **U.S. Cl.** ..... **D8/5**

(58) **Field of Classification Search** ..... D8/4,  
D8/5, 57, 260; 30/251, 260, 262  
See application file for complete search history.

(56) **References Cited**

**U.S. PATENT DOCUMENTS**

2005/0022389 A1\* 2/2005 Stones et al. .... 30/123  
2005/0028378 A1\* 2/2005 Stones et al. .... 30/134

\* cited by examiner

*Primary Examiner*—Holly H. Baynham

*Assistant Examiner*—Sheryl Friedman

(74) *Attorney, Agent, or Firm*—John Yun; Bruce S. Shapiro; Wesley W. Muller

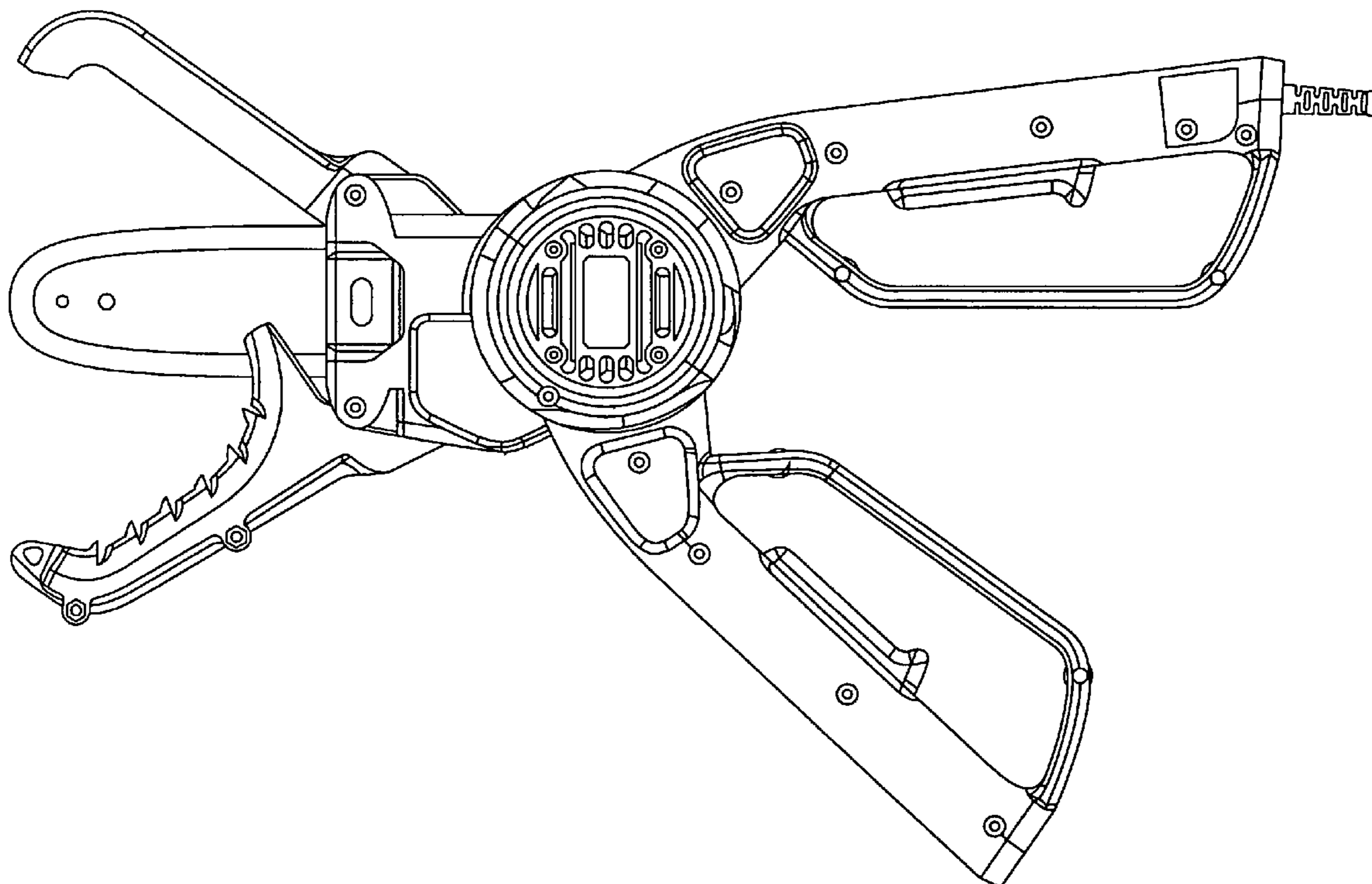
(57) **CLAIM**

The ornamental design for a vegetation pruning device, as shown and described.

**DESCRIPTION**

FIG. 1 is an open front view;  
FIG. 2 is an open right view;  
FIG. 3 is an open left view;  
FIG. 4 is an open top view;  
FIG. 5 is an open bottom view;  
FIG. 6 is open rear view;  
FIG. 7 is an open isometric view;  
FIG. 8 is a closed front view;  
FIG. 9 is a closed right view;  
FIG. 10 is a closed left view;  
FIG. 11 is a closed top view;  
FIG. 12 is a closed bottom view;  
FIG. 13 is a closed rear view; and,  
FIG. 14 is a closed isometric view.

**1 Claim, 14 Drawing Sheets**



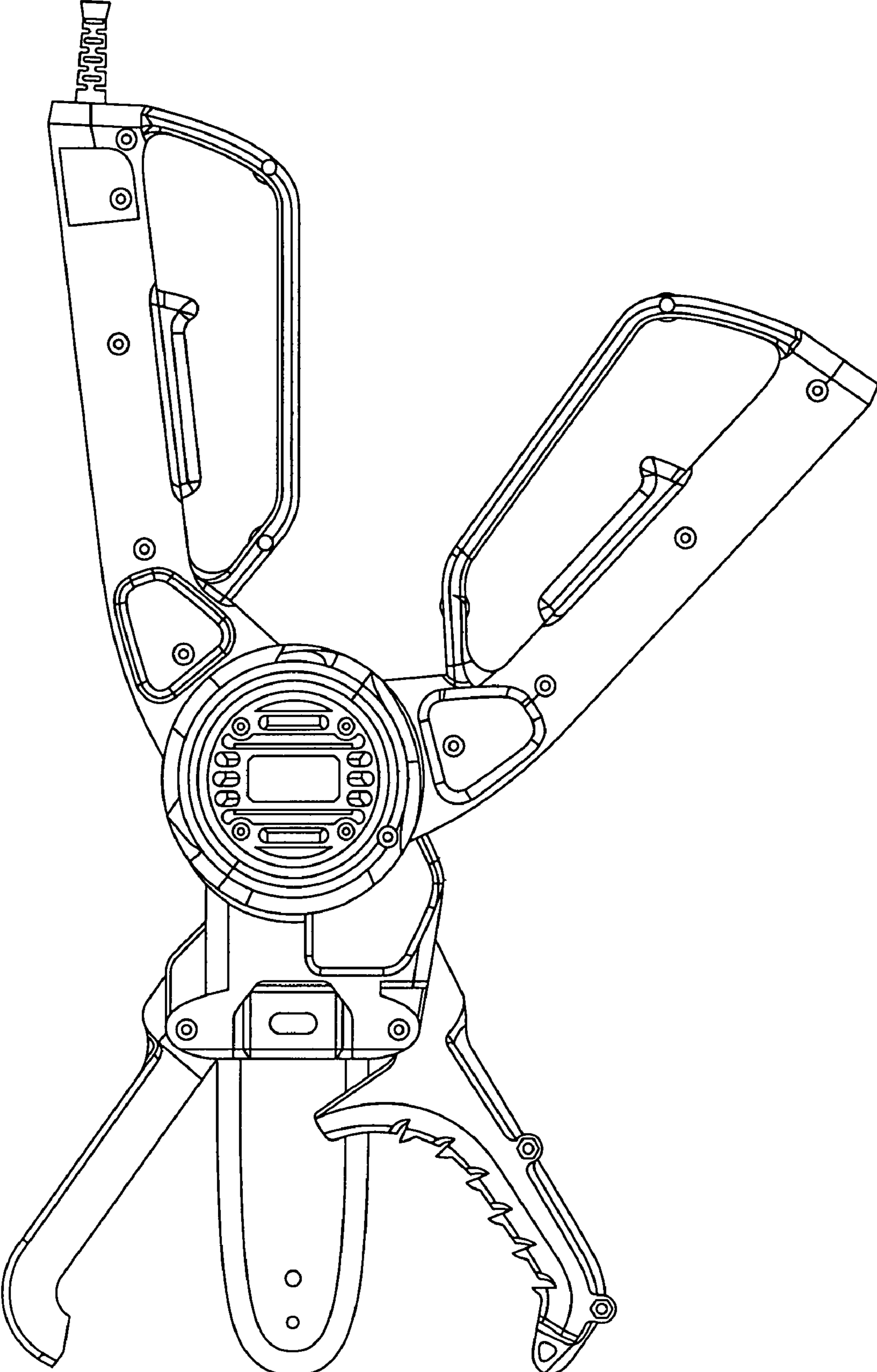


FIG. 1

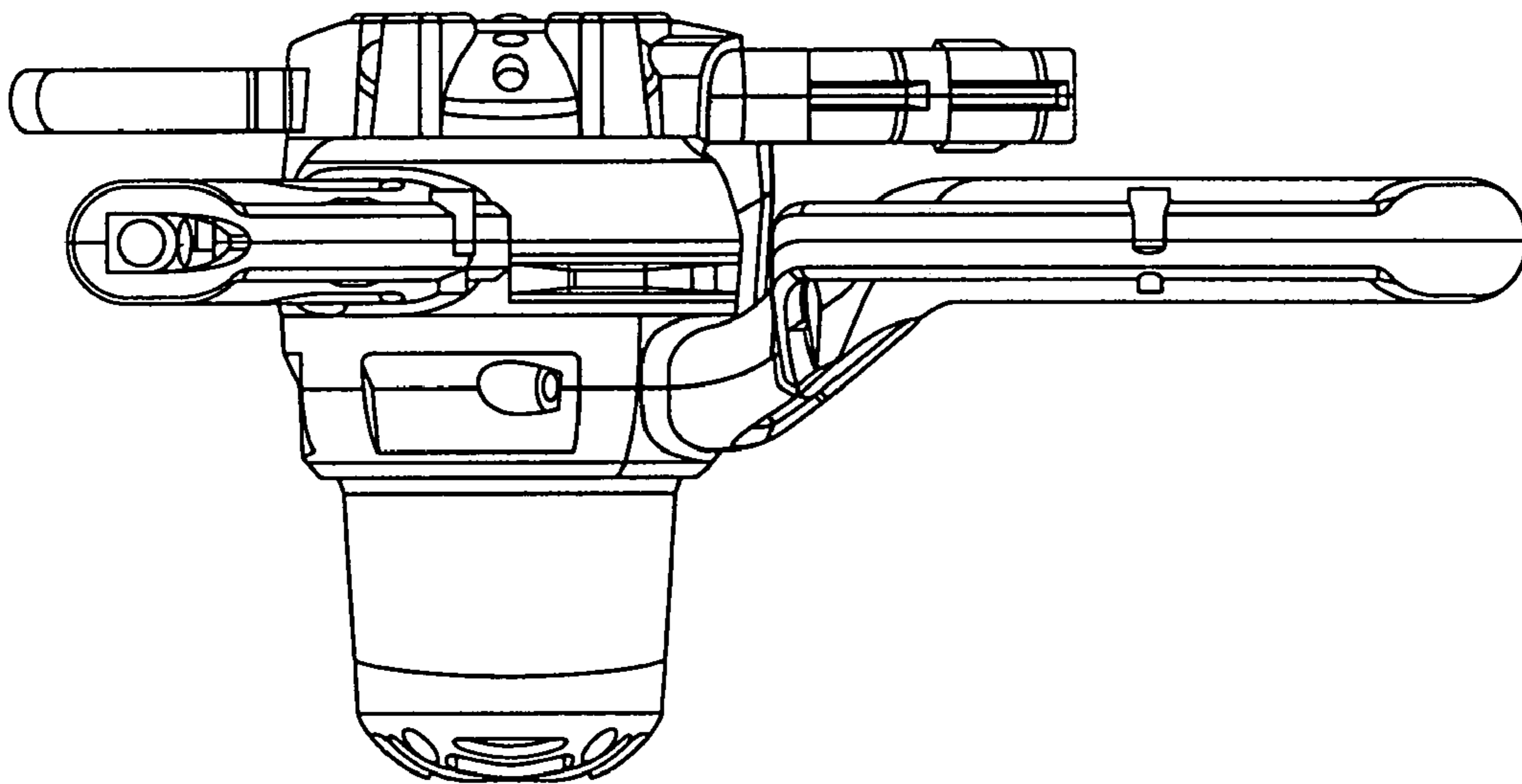


FIG. 2

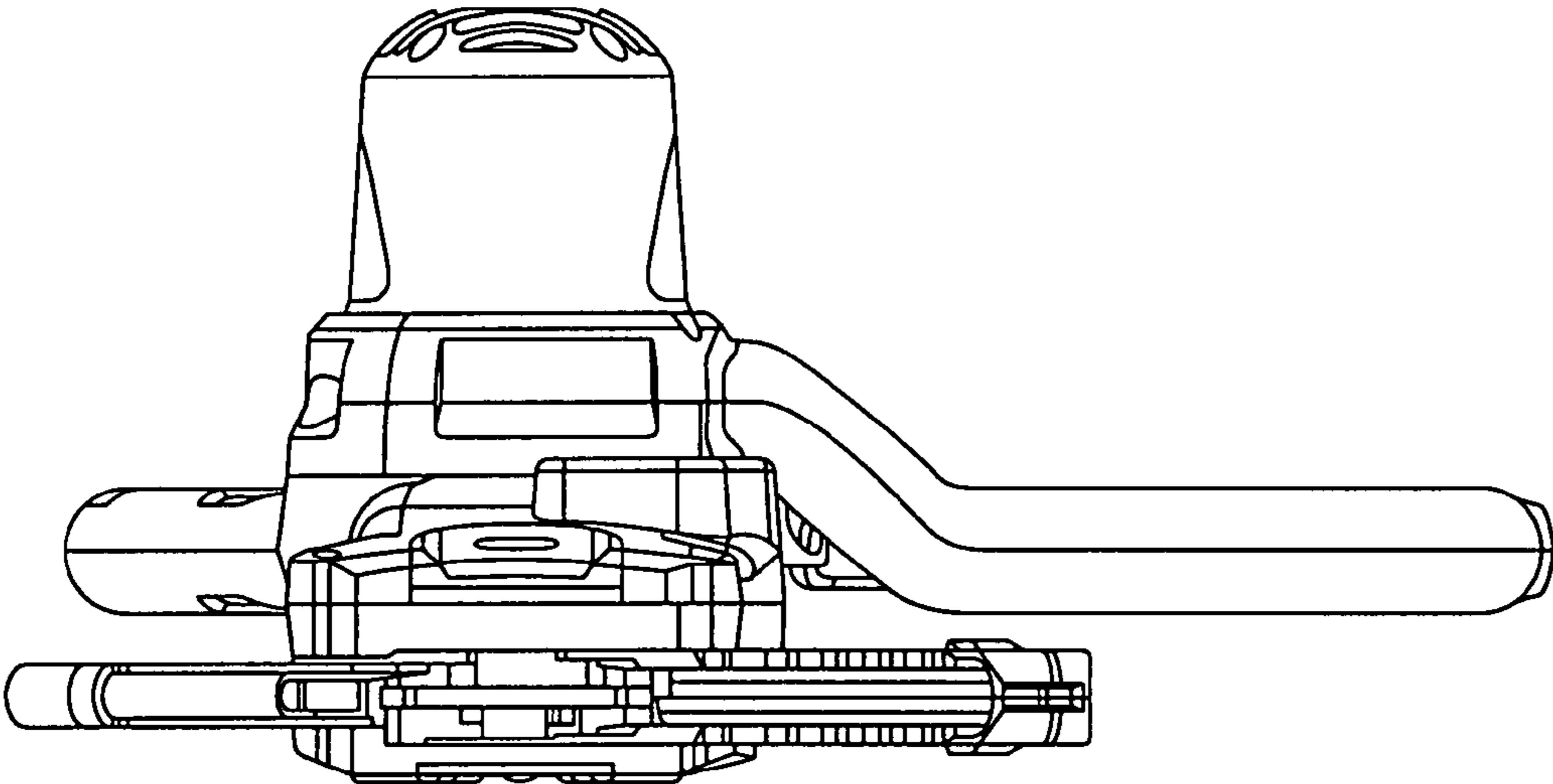


FIG. 3

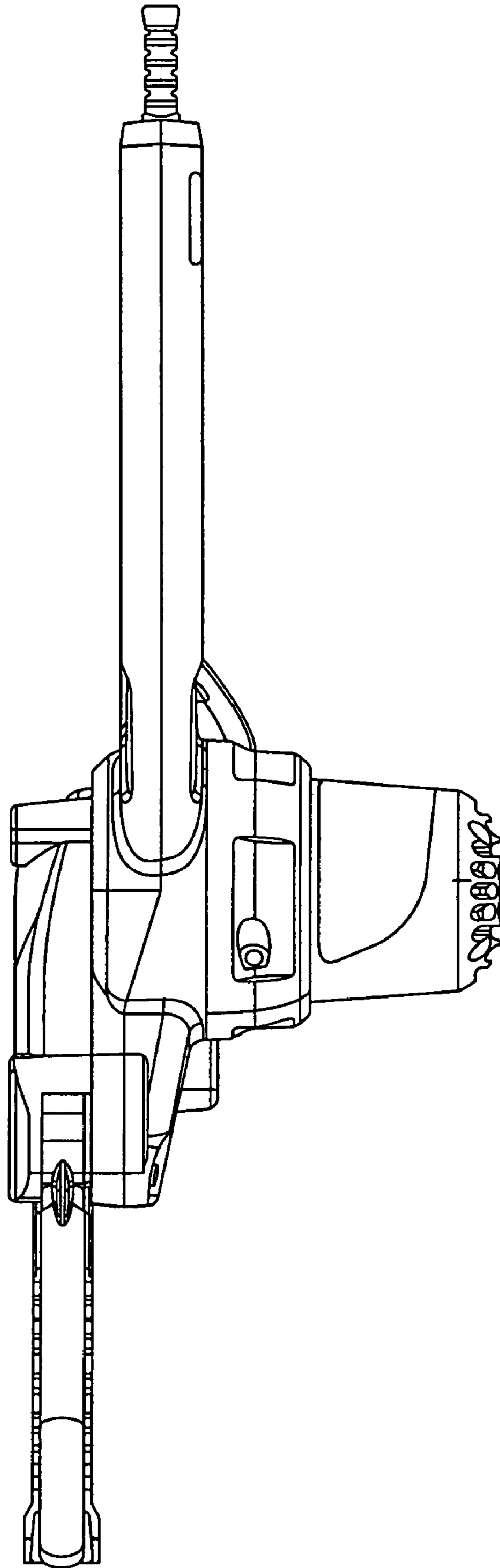


FIG. 4

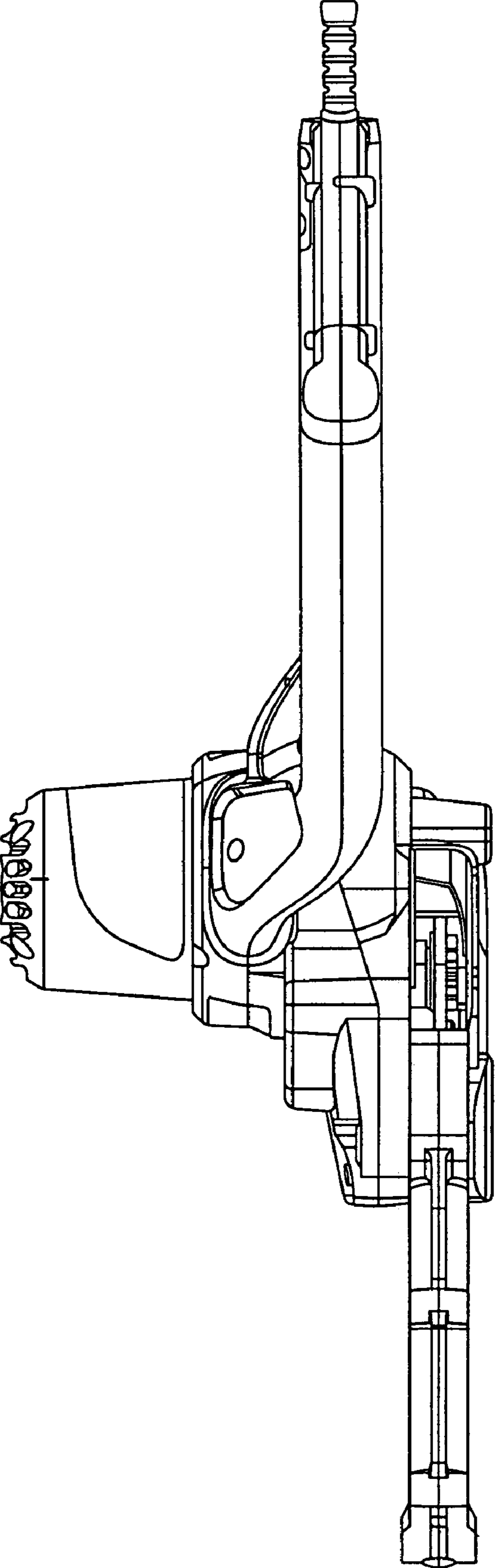


FIG. 5

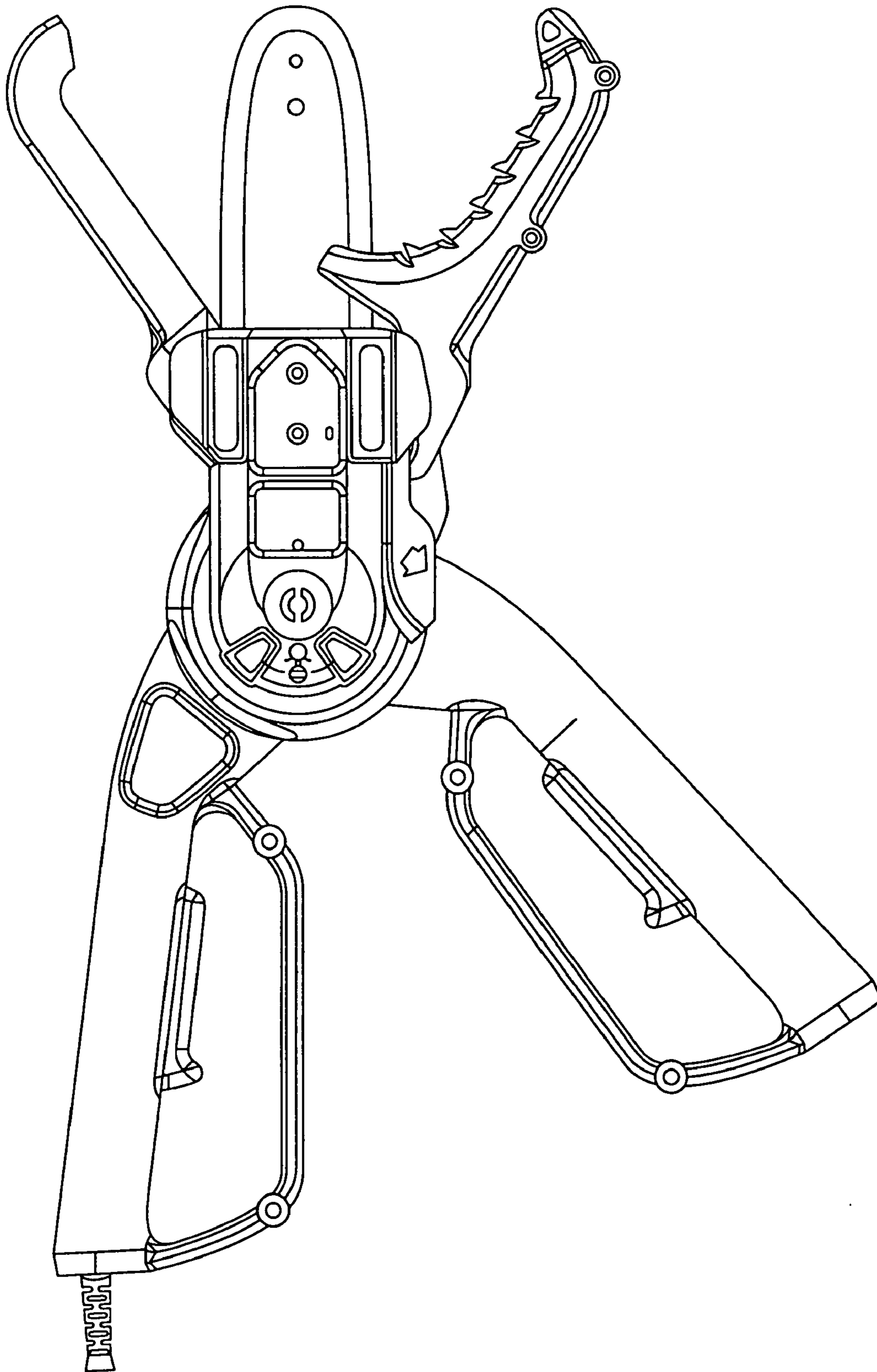


FIG. 6

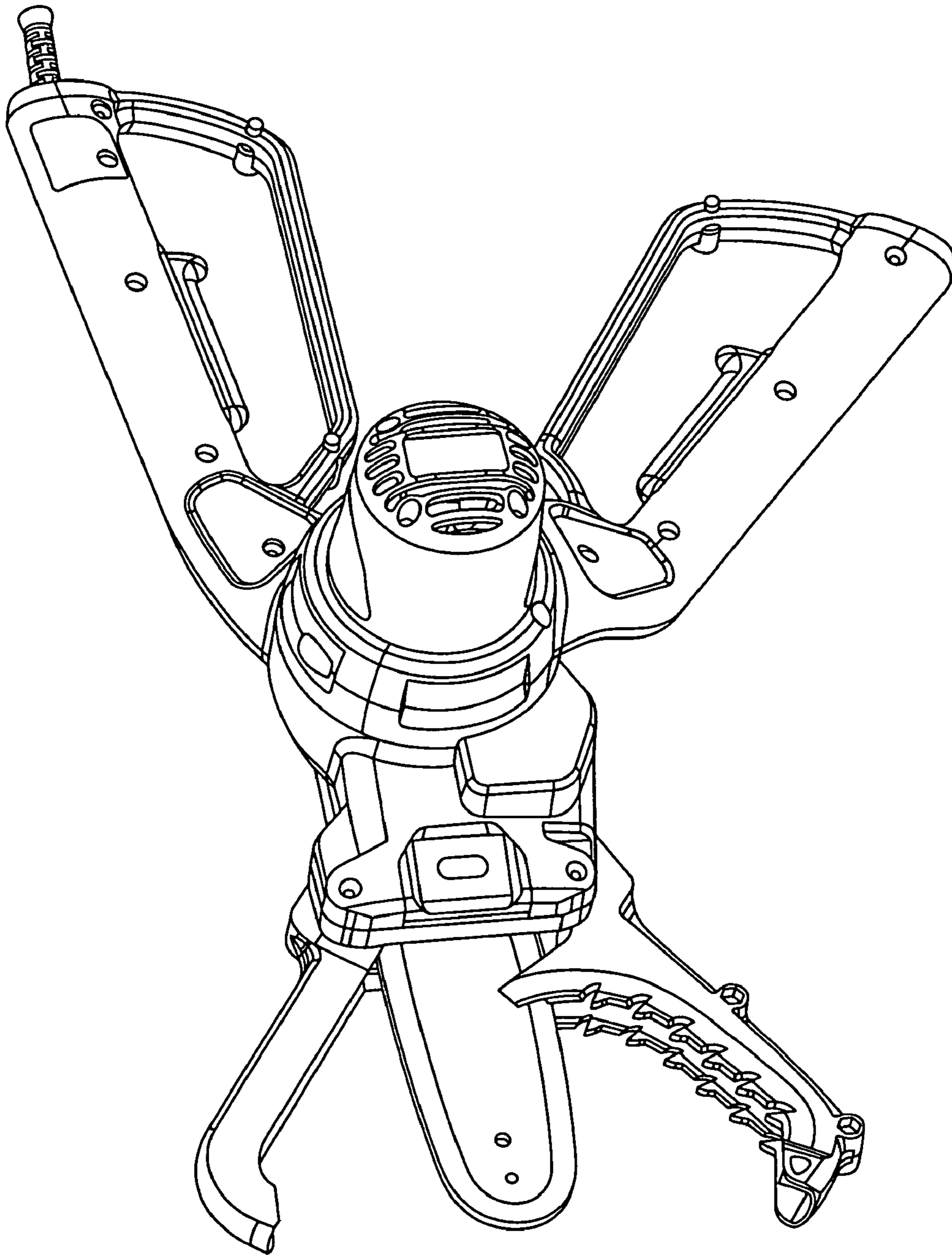


FIG. 7



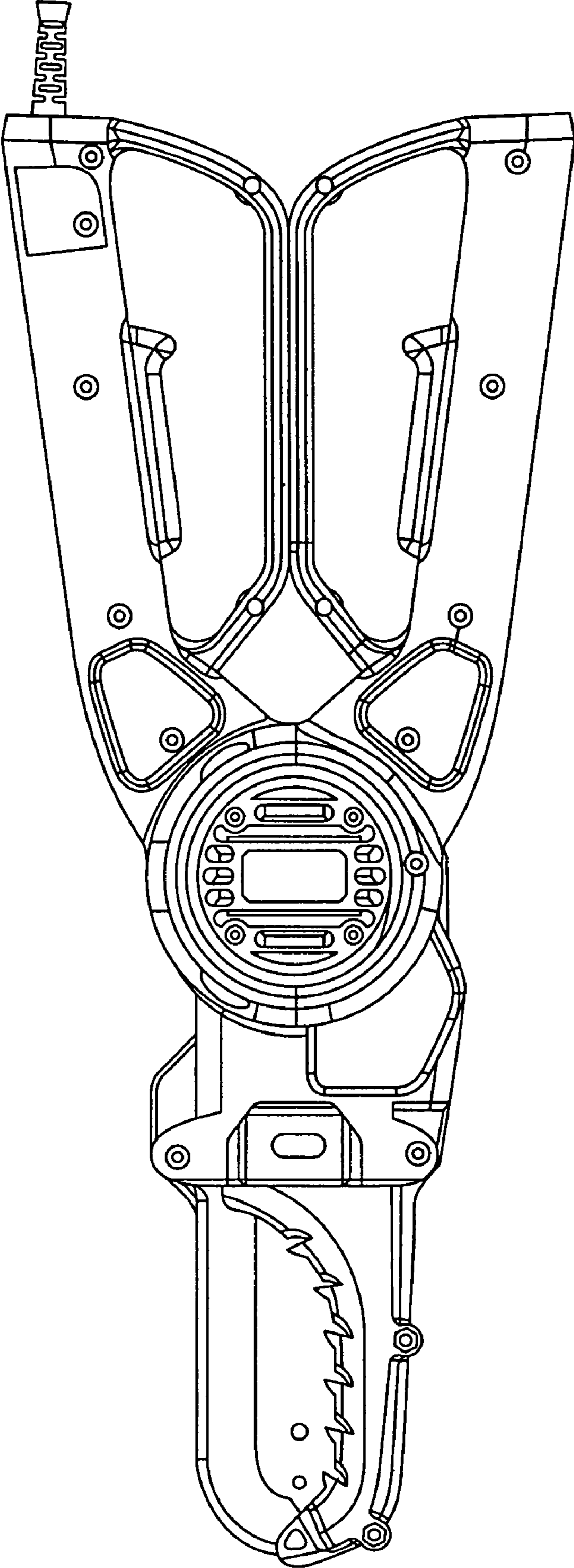


FIG. 8

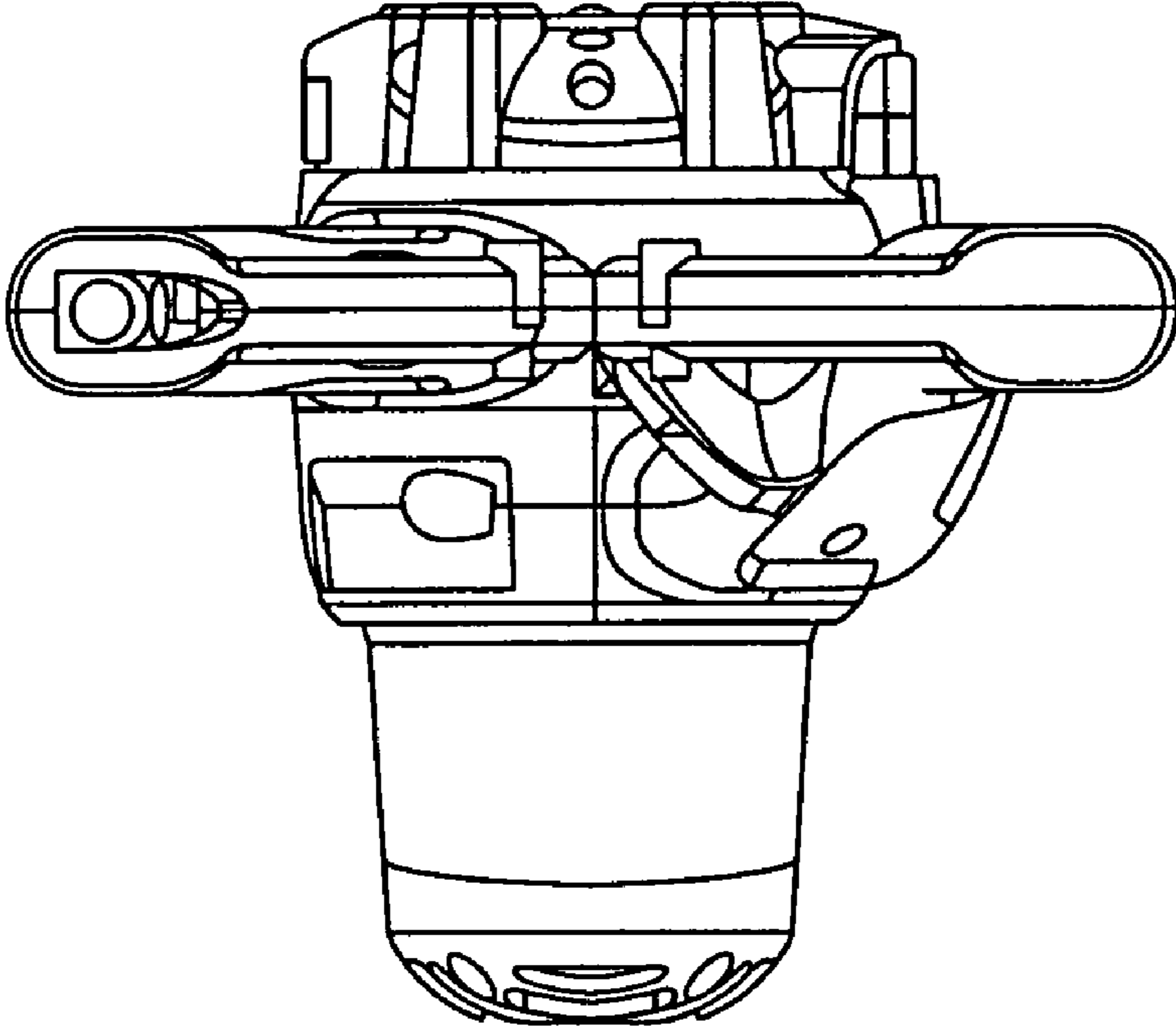


FIG. 9

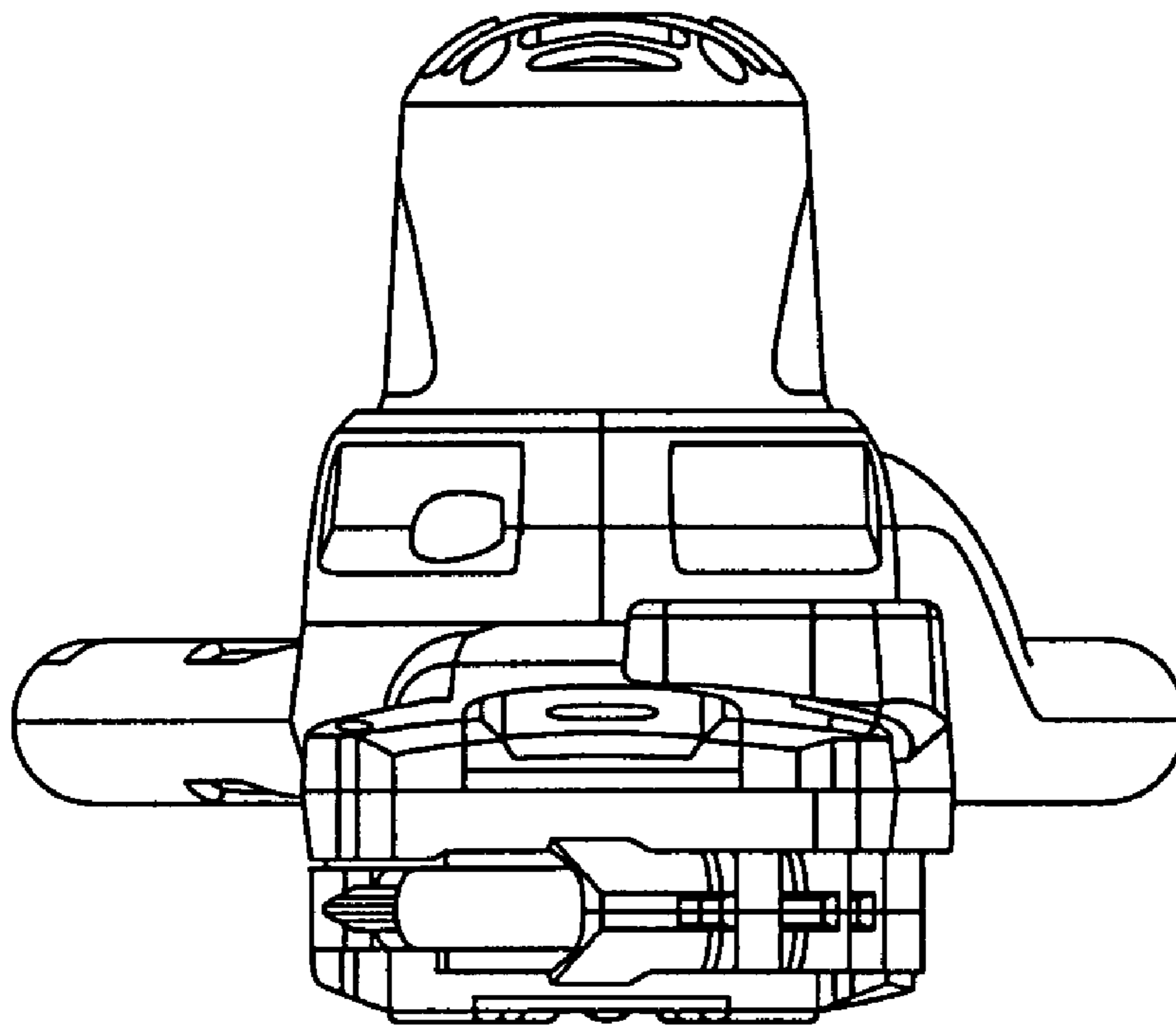


FIG. 10

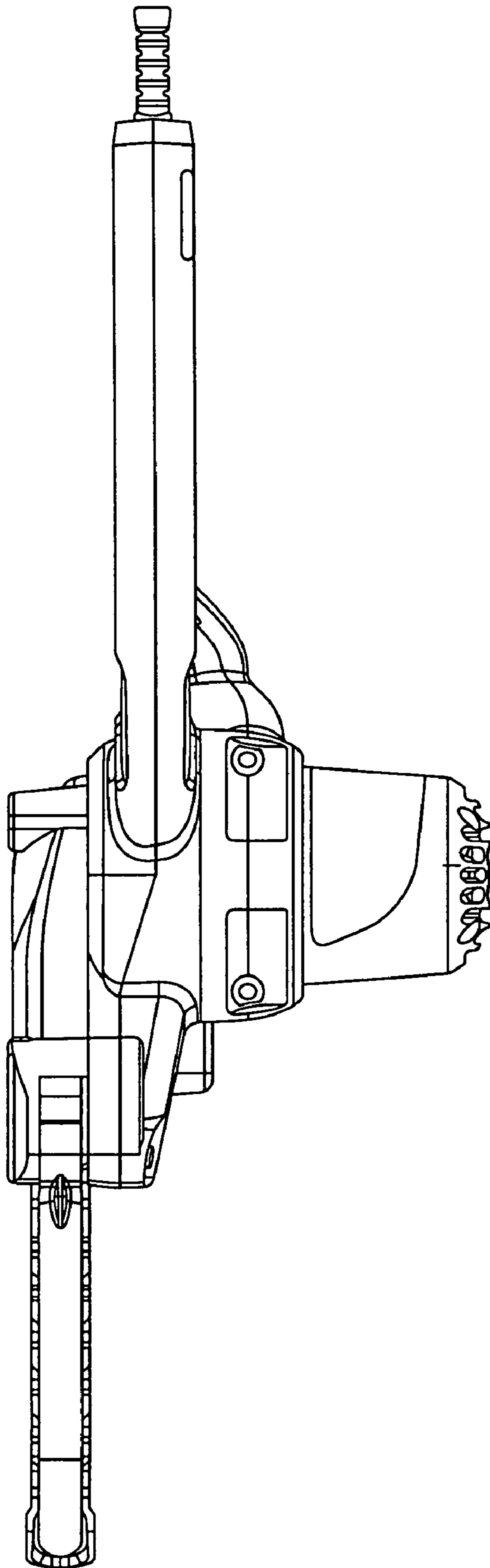


FIG. 11

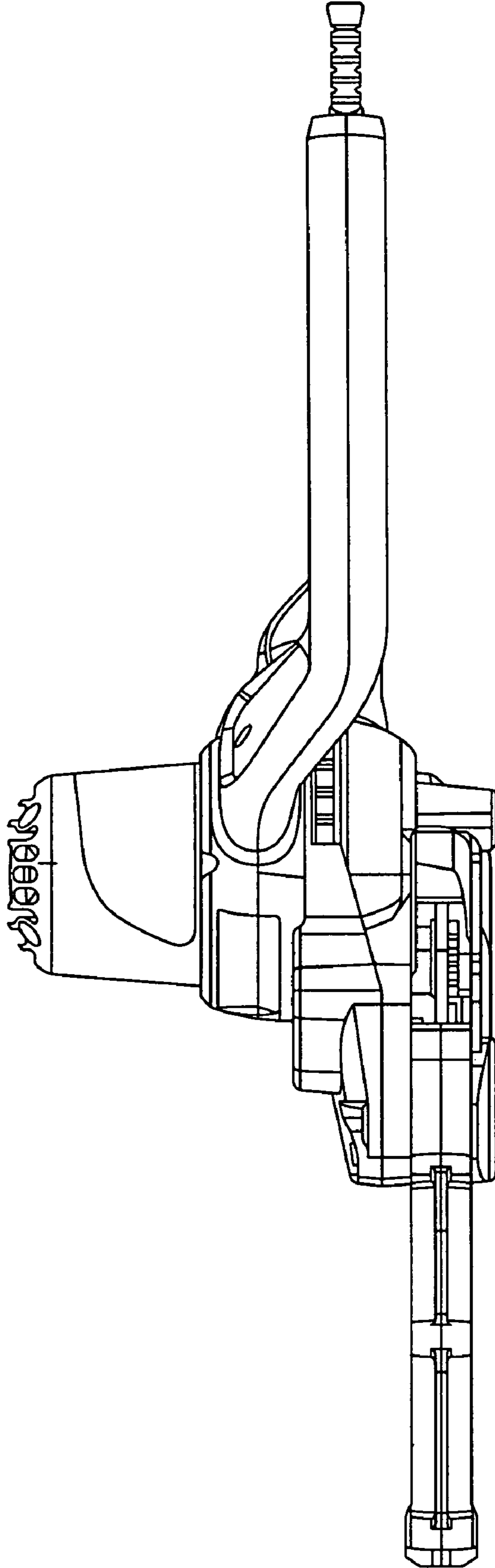


FIG. 12

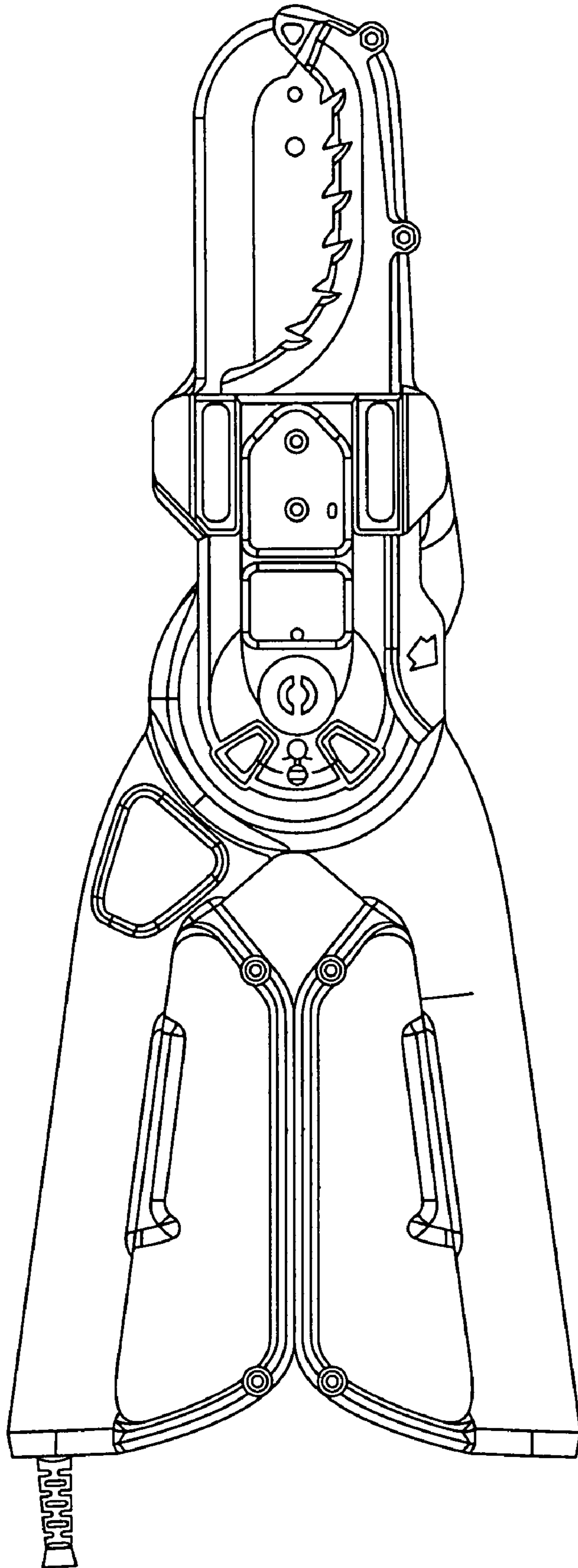


FIG. 13

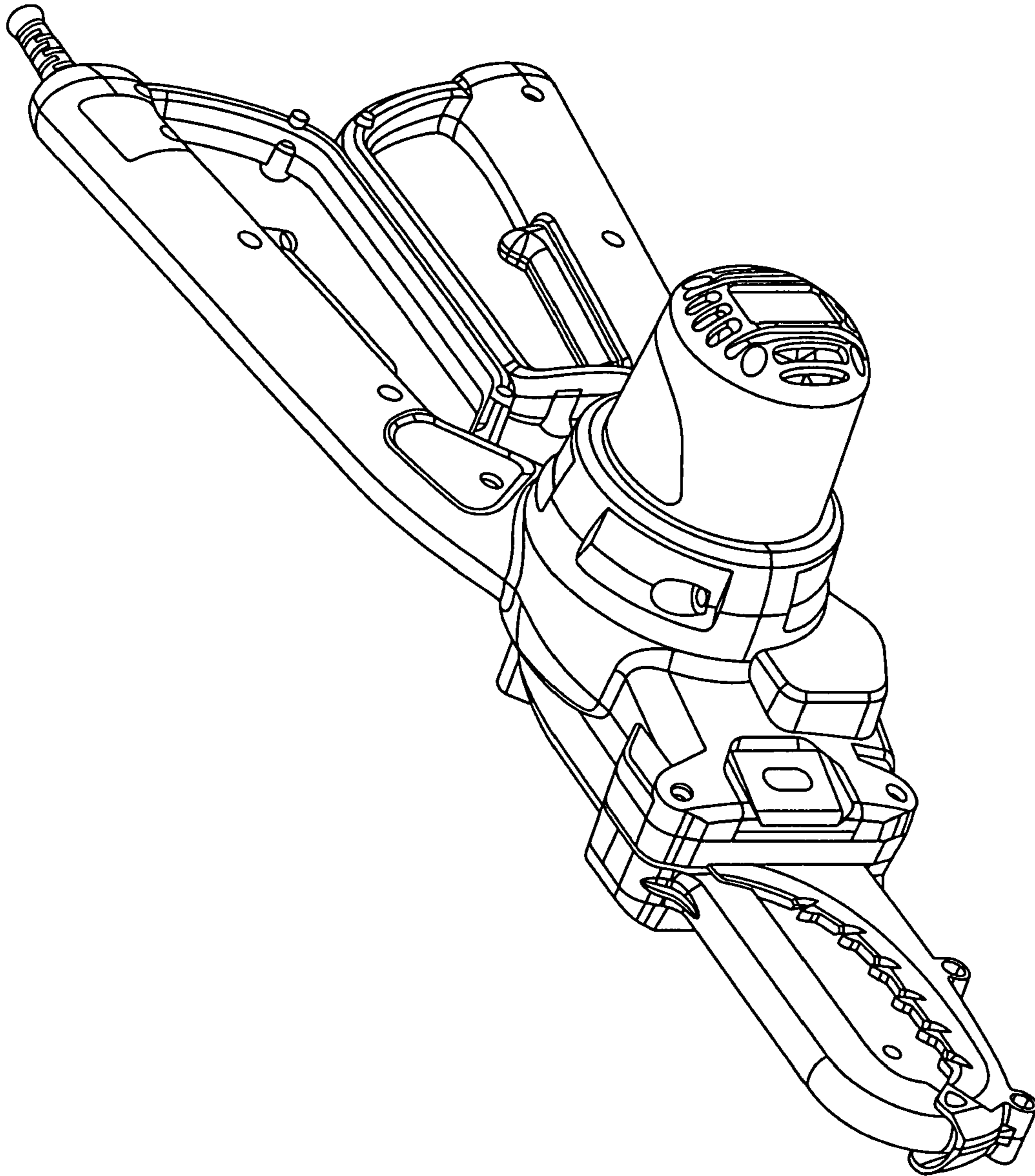


FIG. 14