



US00D550044S

(12) **United States Design Patent** (10) **Patent No.:** **US D550,044 S**  
**Curtin et al.** (45) **Date of Patent:** **\*\* Sep. 4, 2007**

(54) **CONTAINER AND LID**

- (75) Inventors: **Heather Curtin**, Renton, WA (US);  
**Jacob A. Marks**, Chelsea, MA (US)
- (73) Assignee: **Progressive International Corp.**, Kent,  
WA (US)
- (\*\*) Term: **14 Years**
- (21) Appl. No.: **29/247,424**
- (22) Filed: **Jun. 16, 2006**
- (51) **LOC (8) Cl.** ..... **07-01**
- (52) **U.S. Cl.** ..... **D7/629; D7/698**
- (58) **Field of Classification Search** ..... **D7/602,**  
**D7/629, 612-615, 538-542, 698; 229/406,**  
**229/407, 902-906; 220/574-575, 780-806,**  
**220/912, 913; D9/425-432, 737, 756, 761**

See application file for complete search history.

(56) **References Cited**

**U.S. PATENT DOCUMENTS**

|           |     |         |              |       |           |
|-----------|-----|---------|--------------|-------|-----------|
| 3,708,086 | A * | 1/1973  | Colato       | ..... | 220/575   |
| D287,802  | S * | 1/1987  | Daenen       | ..... | D7/540    |
| D352,423  | S * | 11/1994 | Laib         | ..... | D7/538    |
| D376,295  | S * | 12/1996 | Ahern et al. | ..... | D7/549    |
| 5,593,062 | A * | 1/1997  | Martin       | ..... | 220/574.1 |
| D395,985  | S * | 7/1998  | Krupa et al. | ..... | D7/629    |
| D451,018  | S * | 11/2001 | Chen et al.  | ..... | D9/428    |
| D489,579  | S * | 5/2004  | Wright       | ..... | D7/629    |
| D491,024  | S * | 6/2004  | Welsh        | ..... | D7/629    |

\* cited by examiner

*Primary Examiner*—Terry A. Wallace  
(74) *Attorney, Agent, or Firm*—Black Lowe & Graham,  
PLLC

(57) **CLAIM**

I claim the ornamental design for the container and lid, as shown and described.

**DESCRIPTION**

FIG. 1 is a front view of the combined container, cutting board and lid;

FIG. 2 is a top view of the combined container, cutting board and lid;

FIG. 3 is a bottom view of the combined container, cutting board and lid;

FIG. 4 is a back view of the combined container, cutting board and lid;

FIG. 5 is a right side view of the combined container, cutting board and lid;

FIG. 6 is a left side view of the combined container, cutting board and lid;

FIG. 7 is a top perspective view of the combined container, cutting board and lid;

FIG. 8 is a bottom perspective view of the combined container, cutting board and lid;

FIG. 9 is an exploded view of the combined container, cutting board and lid;

FIG. 10 is a front view of the combined container, cutting board and lid, the back, left side, and right side views being identical;

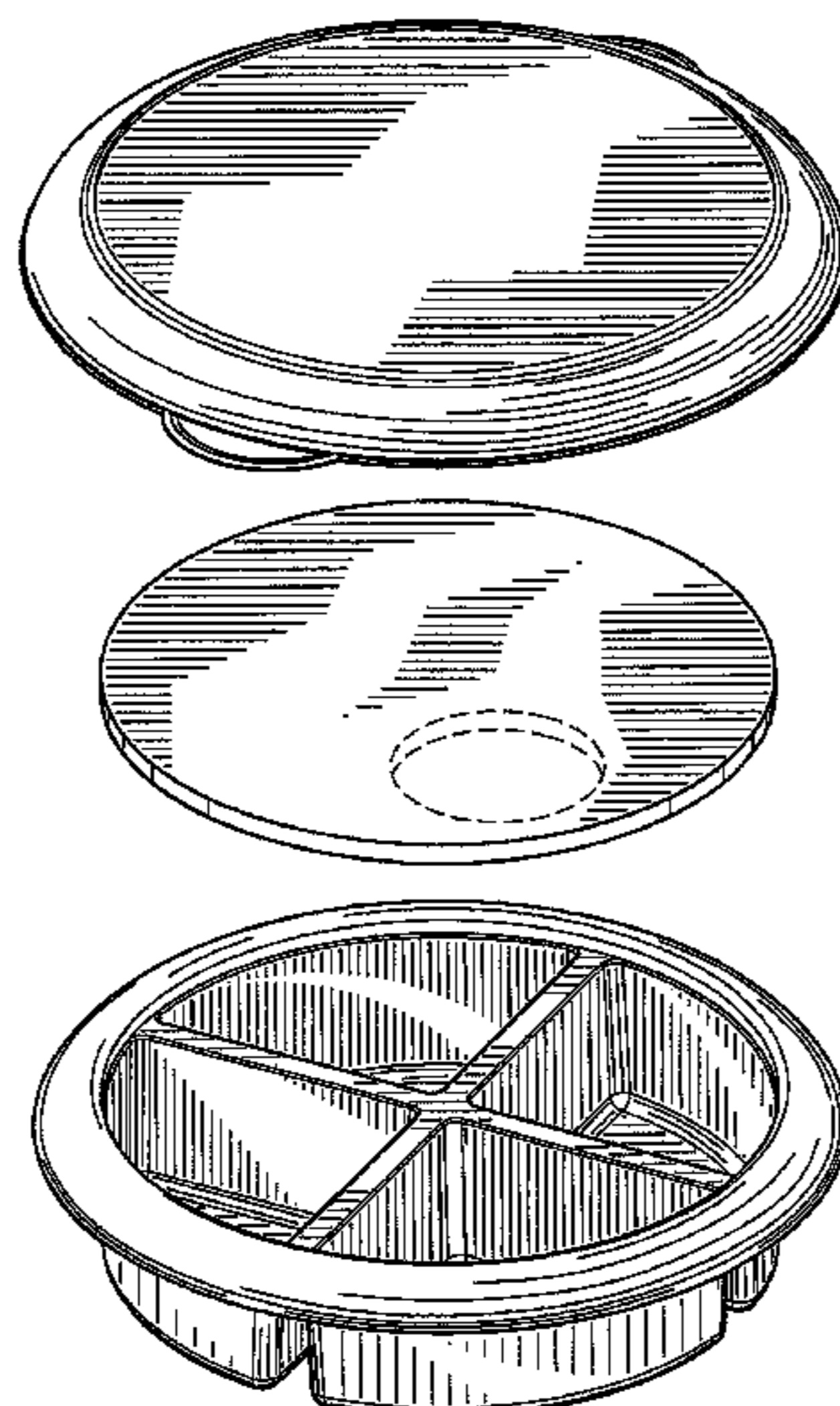
FIG. 11 is a top view of the combined container, cutting board and lid, the bottom view being identical; and,

FIG. 12 is a top perspective view of the combined container, cutting board and lid.

The cutting board includes a hole as shown in phantom, with the particular shape of the hole forming no part of the invention.

The cutting board is shown separately for clarity of illustration.

**1 Claim, 6 Drawing Sheets**



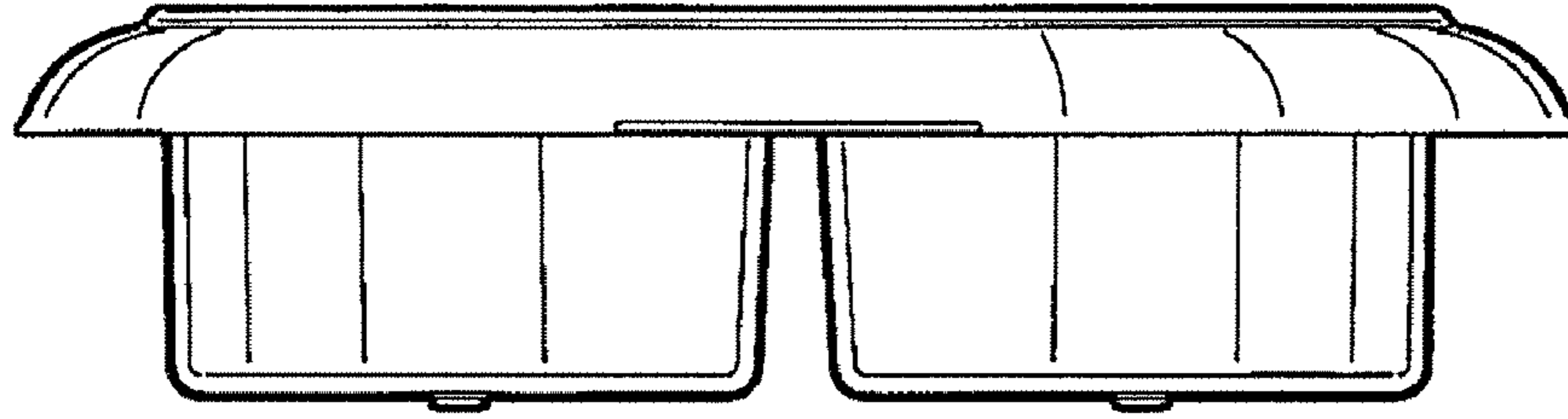


FIG.1

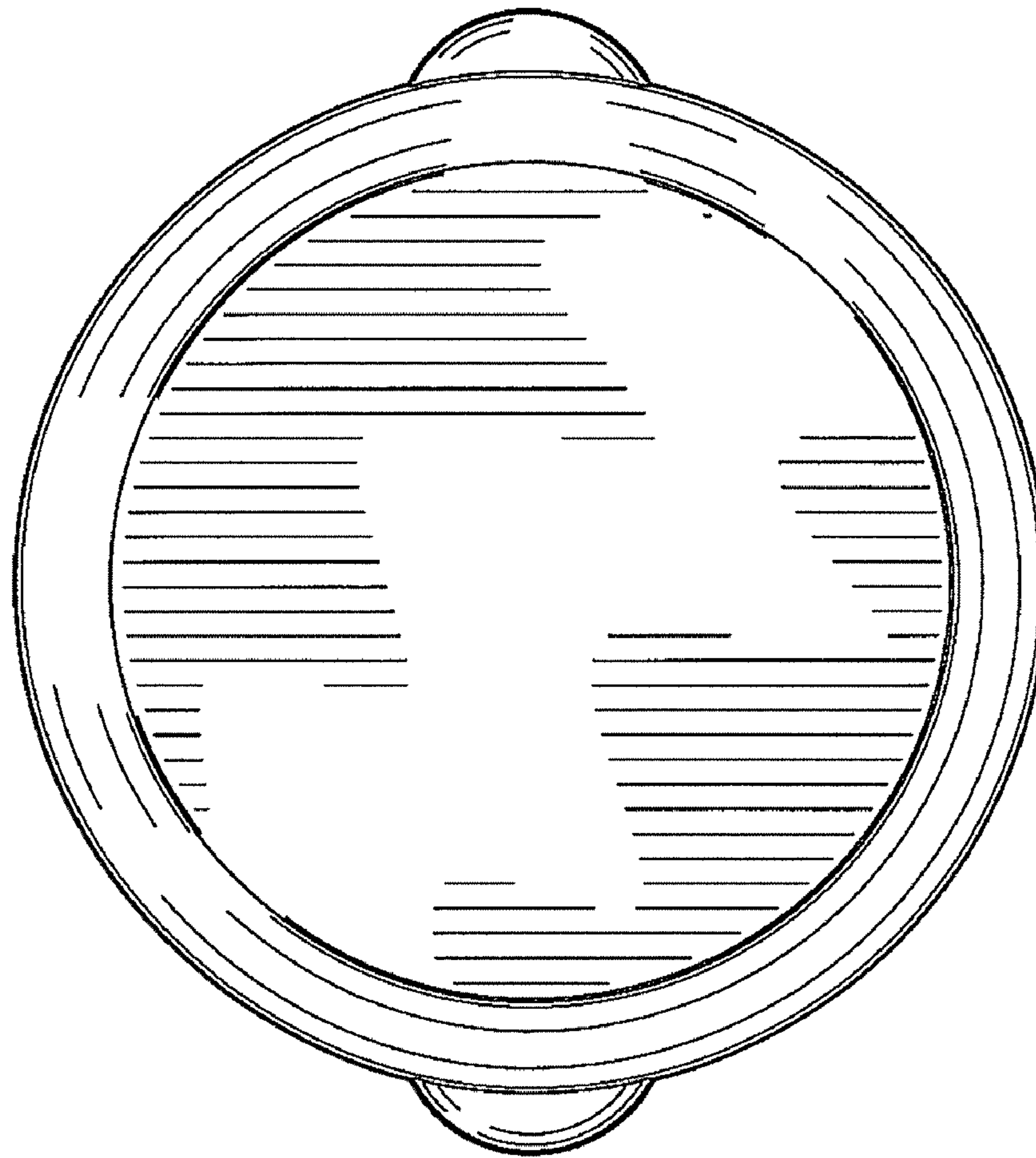


FIG.2

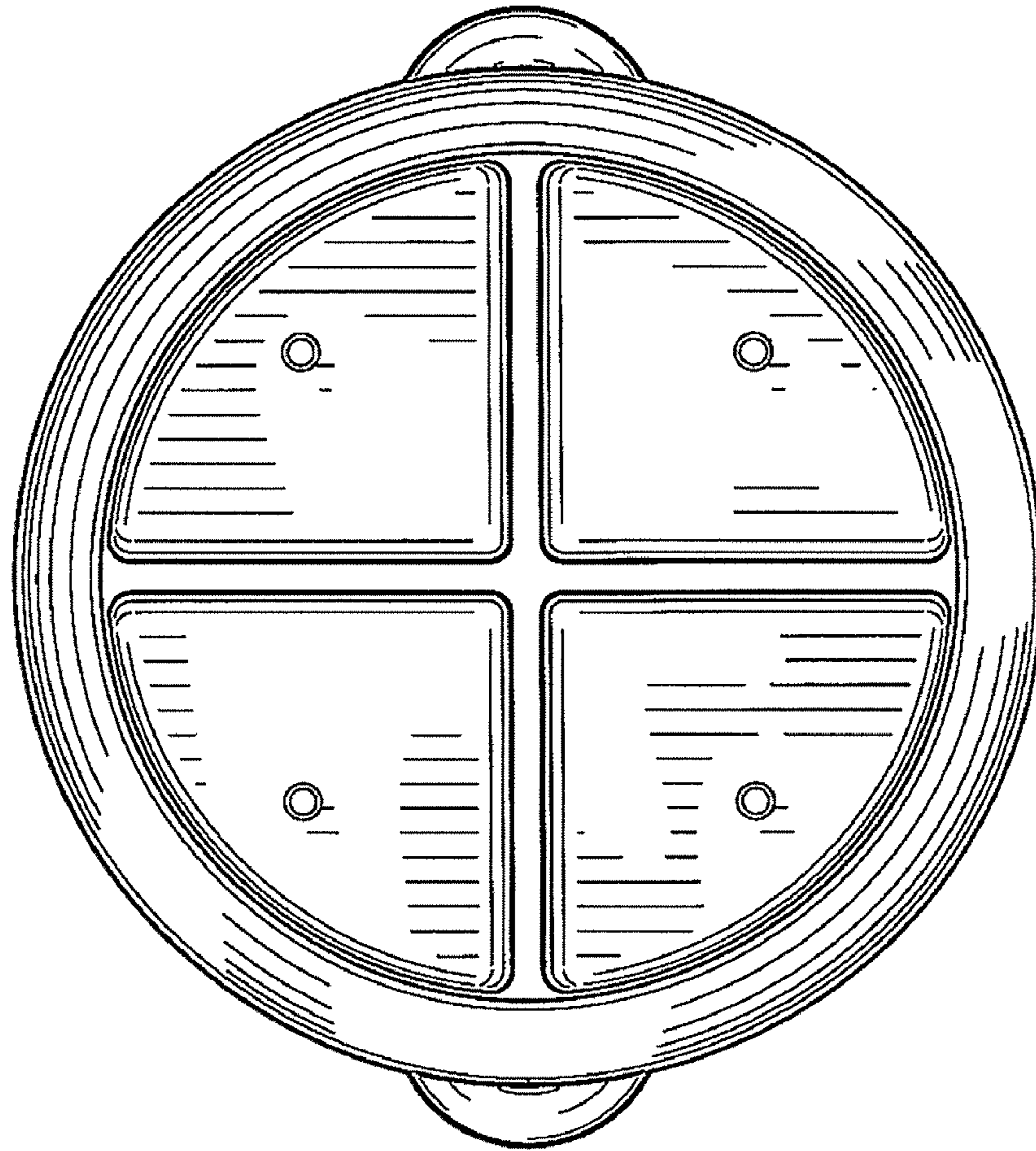


FIG. 3

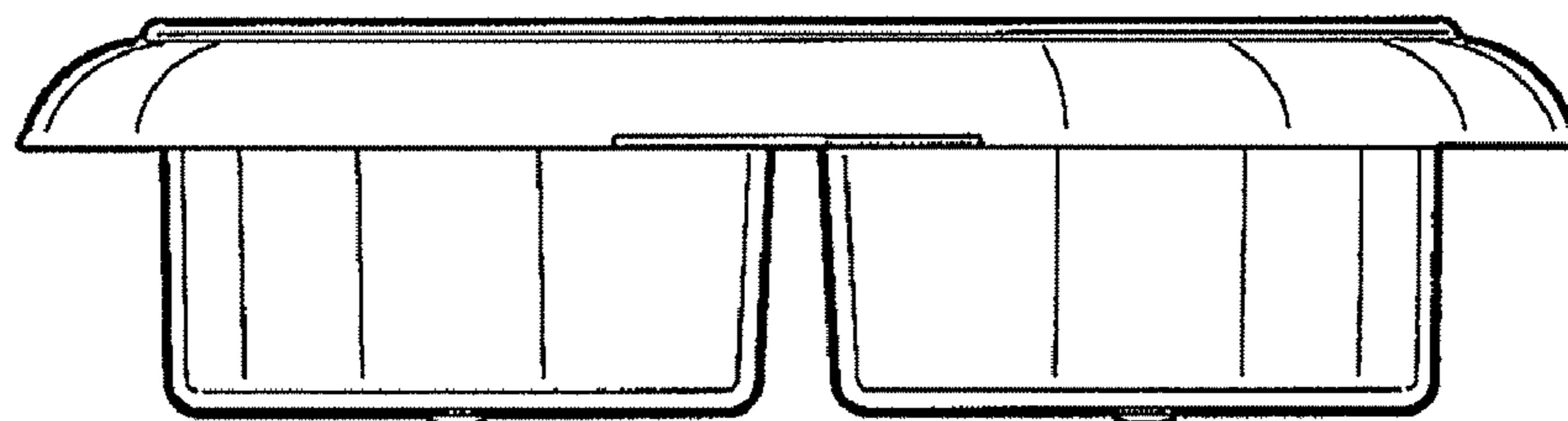


FIG. 4

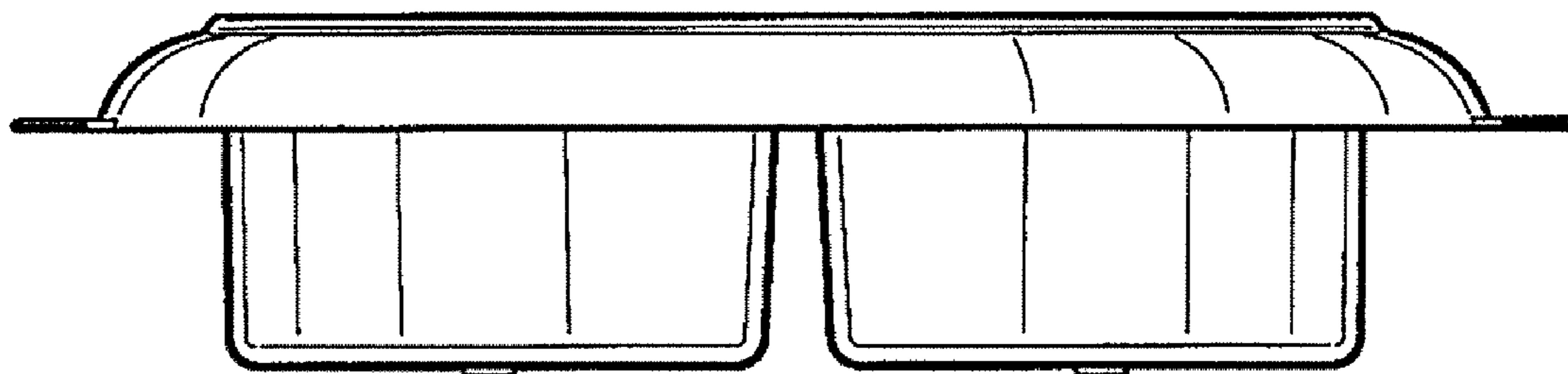


FIG. 5

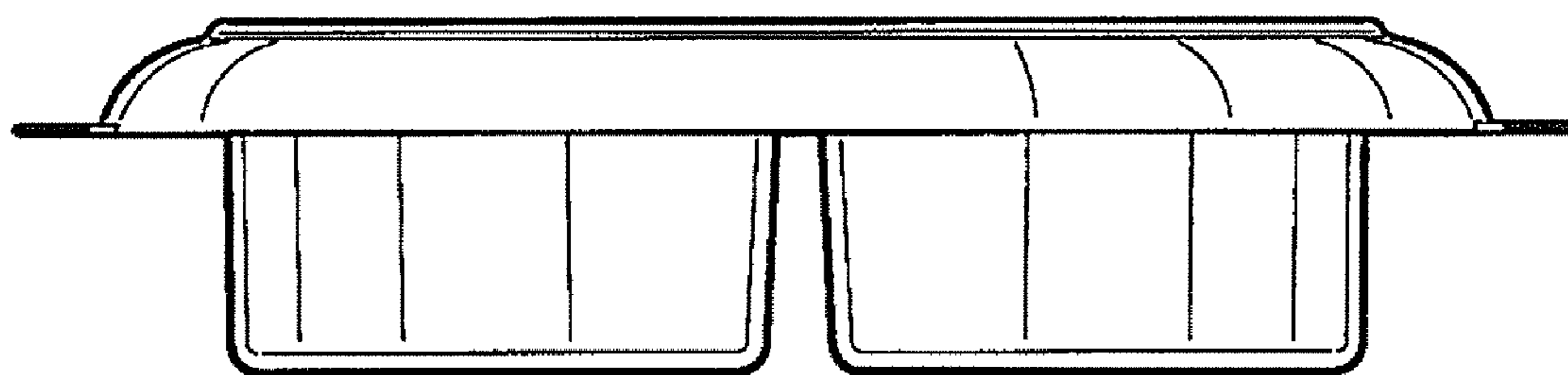


FIG. 6

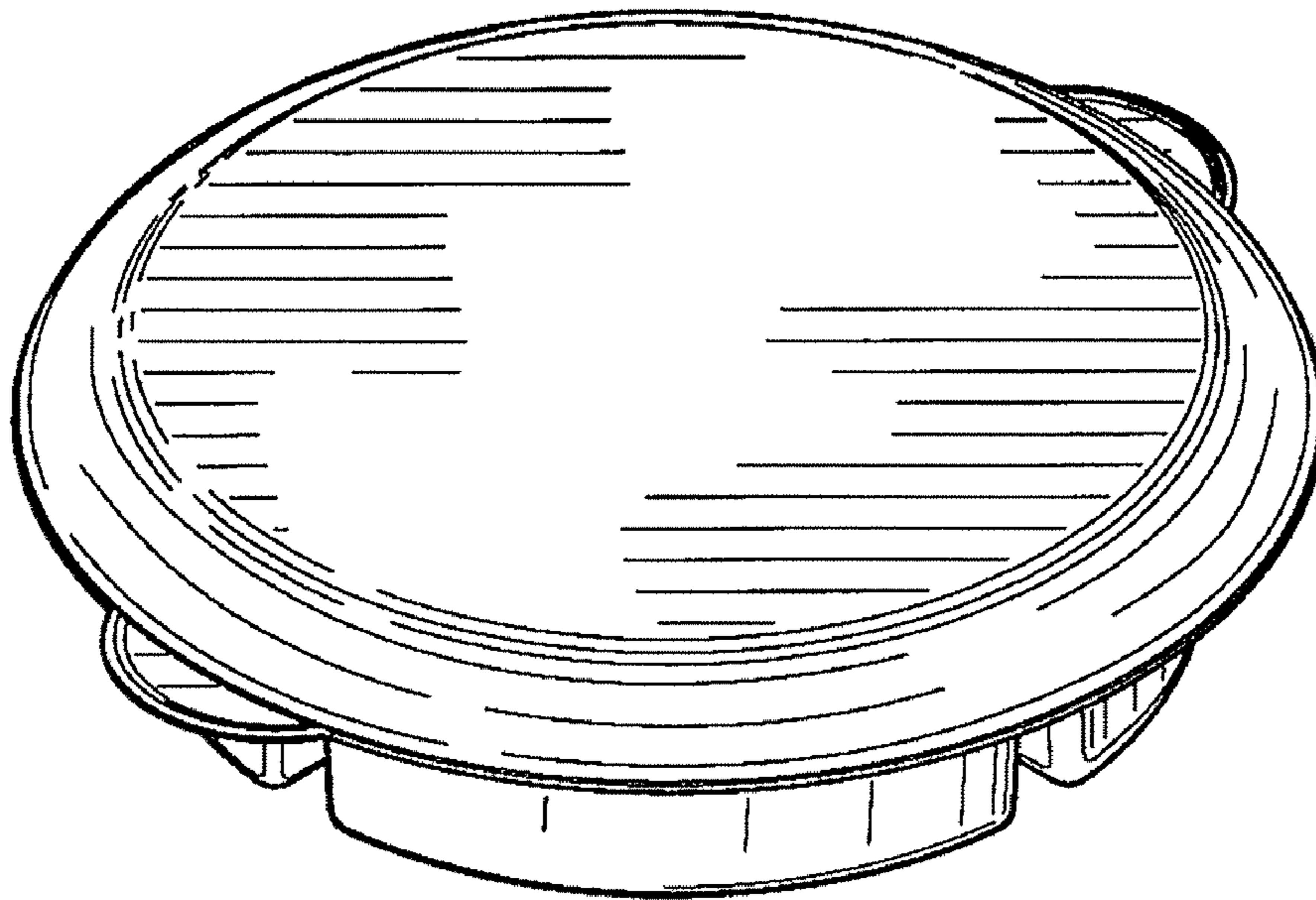


FIG. 7

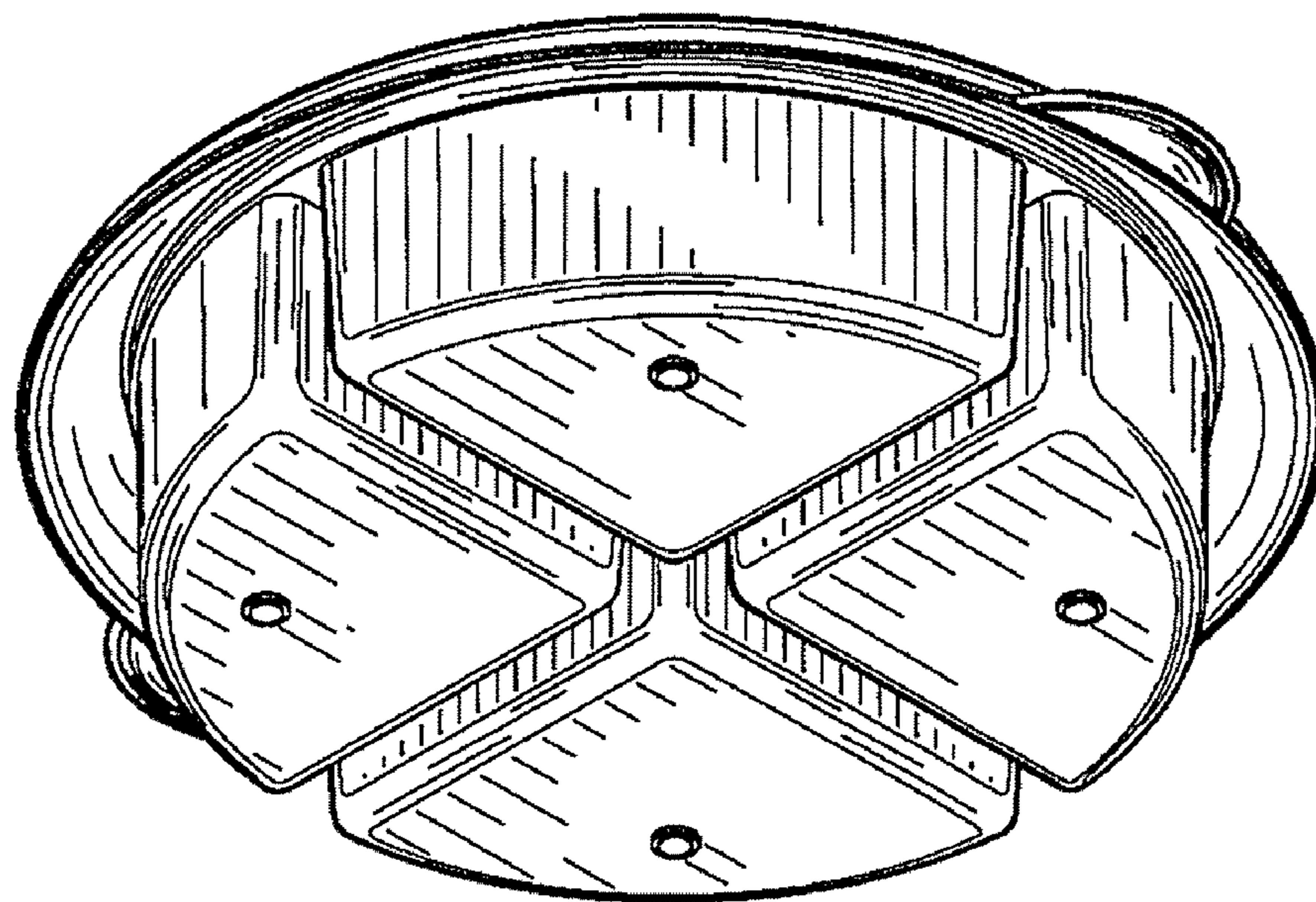


FIG. 8

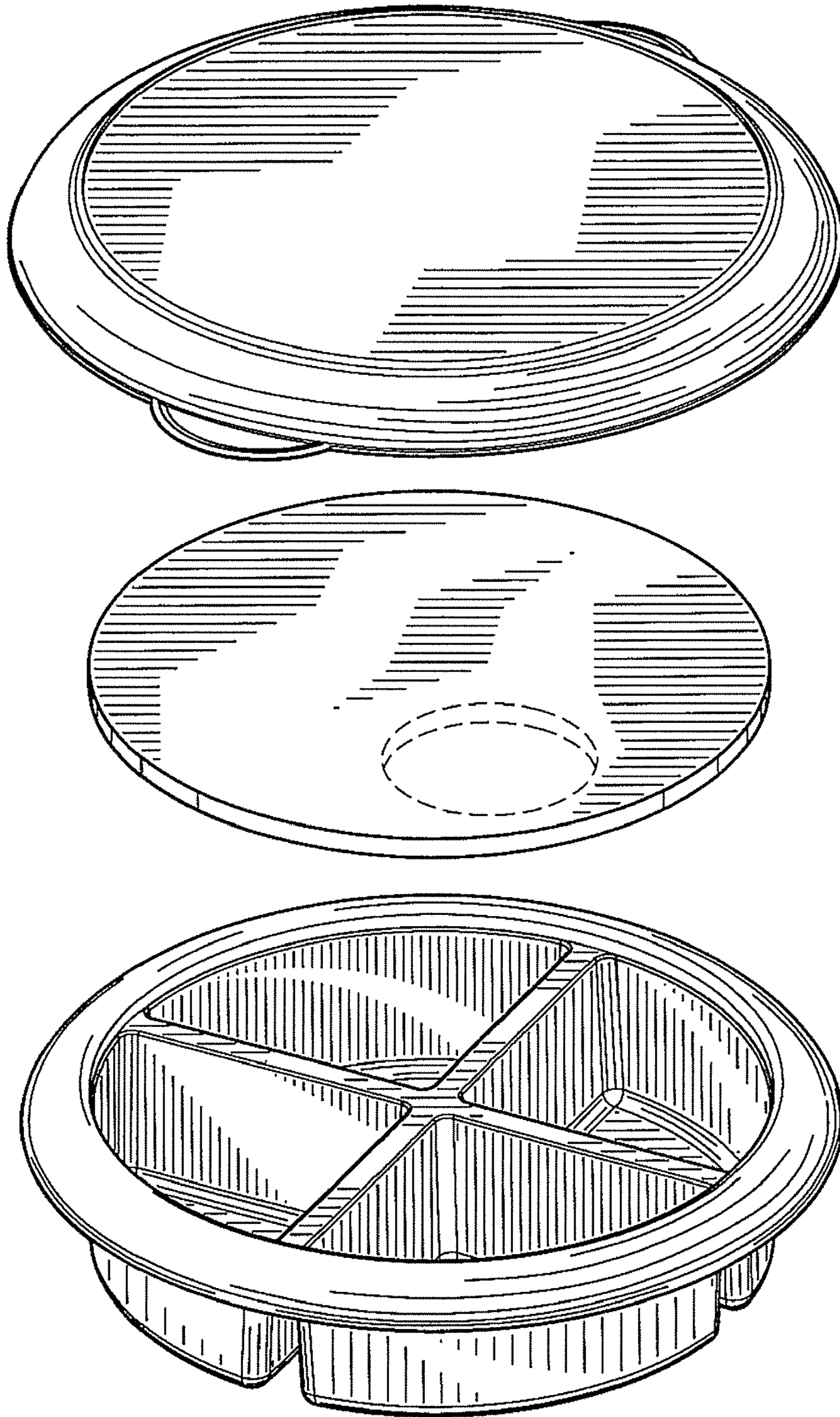


FIG. 9

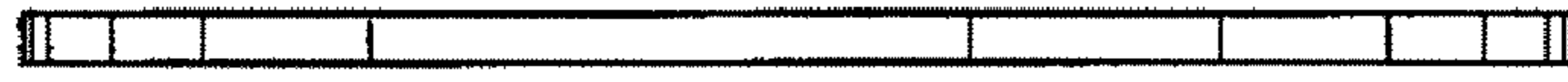


FIG.10

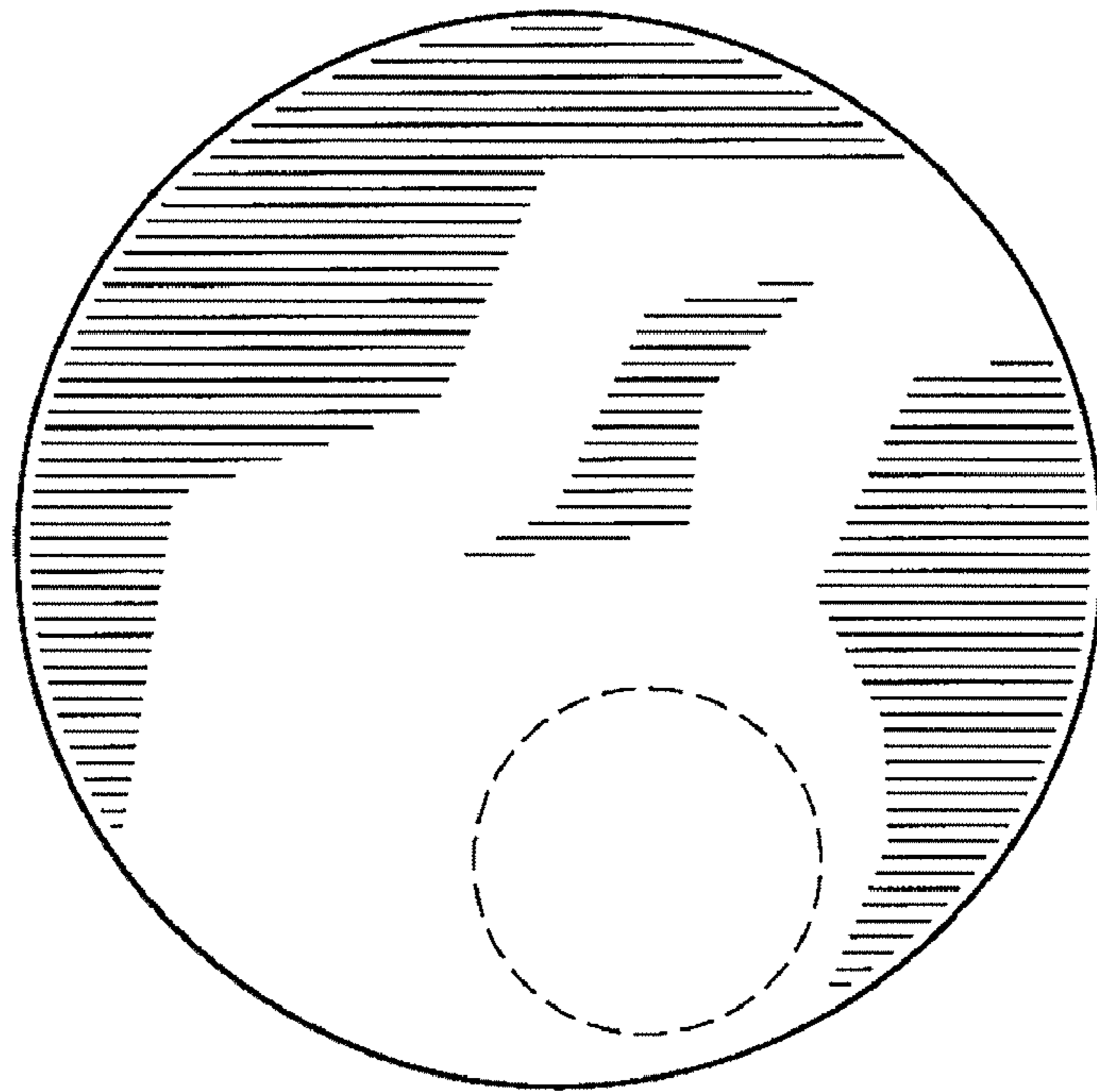


FIG.11

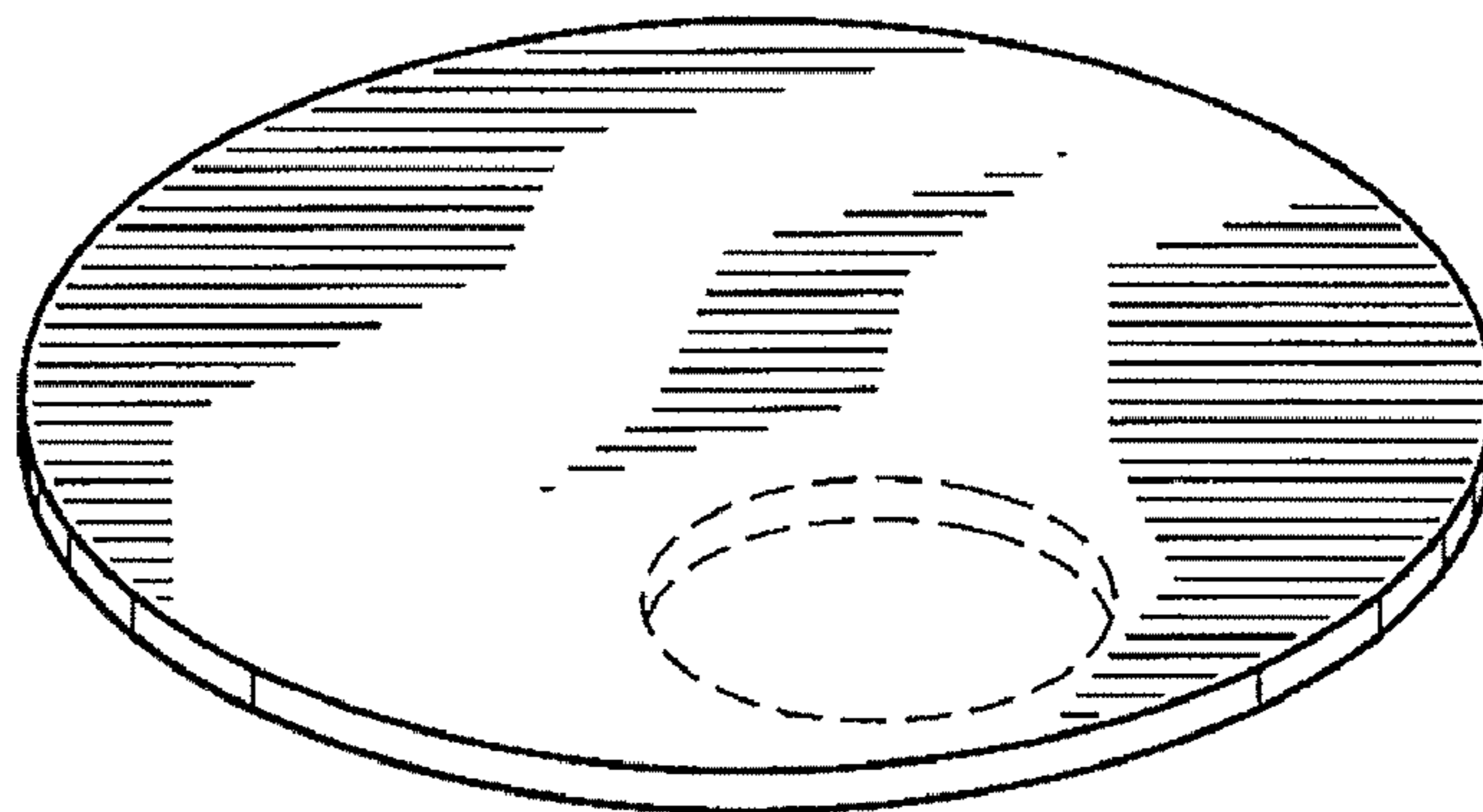


FIG.12