



US00D550042S

(12) **United States Design Patent**
Chapple

(10) **Patent No.:** **US D550,042 S**

(45) **Date of Patent:** **** Sep. 4, 2007**

(54) **DRIP TRAY**

(76) Inventor: **Ron Chapple**, 18 Koonalda Road,
Gladstone Park, Melbourne (AU) 3043

(**) Term: **14 Years**

(21) Appl. No.: **29/244,346**

(22) Filed: **Dec. 8, 2005**

(30) **Foreign Application Priority Data**

Jun. 8, 2005 (AU) 12480/05

(51) **LOC (8) Cl.** **07-01**

(52) **U.S. Cl.** **D7/550.1; D7/397**

(58) **Field of Classification Search** D7/300,
D7/346, 354, 500, 543, 550.1-550.2, 552-554,
D7/553.2, 557, 558, 562, 590, 592; D25/124;
D3/201, 304, 307-314; D6/406.1-406.6;
D9/456; D12/133, 415, 416; D19/92, 93;
D28/61; D30/131, 133; 108/43; 206/522,
206/557; 215/386, 392; 220/570, 571, 574;
222/108; 414/675

See application file for complete search history.

(56) **References Cited**

U.S. PATENT DOCUMENTS

D47,322 S * 5/1915 Campbell D7/698
2,763,880 A * 9/1956 Mulcahy 15/257.06
D251,507 S * 4/1979 Maricic D25/124
D315,493 S * 3/1991 Cleland D8/373
D326,795 S * 6/1992 Reitz et al. D7/397
5,209,452 A * 5/1993 Goldberg 248/676

D399,092 S * 10/1998 Miller D7/397
D401,111 S * 11/1998 Leatherman D7/397
D401,474 S * 11/1998 Leatherman et al. D7/397
D427,573 S * 7/2000 Wiggins D14/457
D442,603 S * 5/2001 Lam D14/458
6,408,554 B1 * 6/2002 Przylucki 40/661.08
D482,366 S * 11/2003 Rowell D14/471

* cited by examiner

Primary Examiner—Philip S. Hyder

Assistant Examiner—Cynthia Underwood

(74) *Attorney, Agent, or Firm*—Lerner, David, Littenberg,
Krumholz & Mentlik, LLP

(57) **CLAIM**

The ornamental design for a drip tray, as shown and described.

DESCRIPTION

FIG. 1 is a perspective view of a drip tray showing my new design;

FIG. 2 is an exploded unassembled perspective view of my design shown in FIG. 1;

FIG. 3 is a top plan view;

FIG. 4 is a bottom plan view;

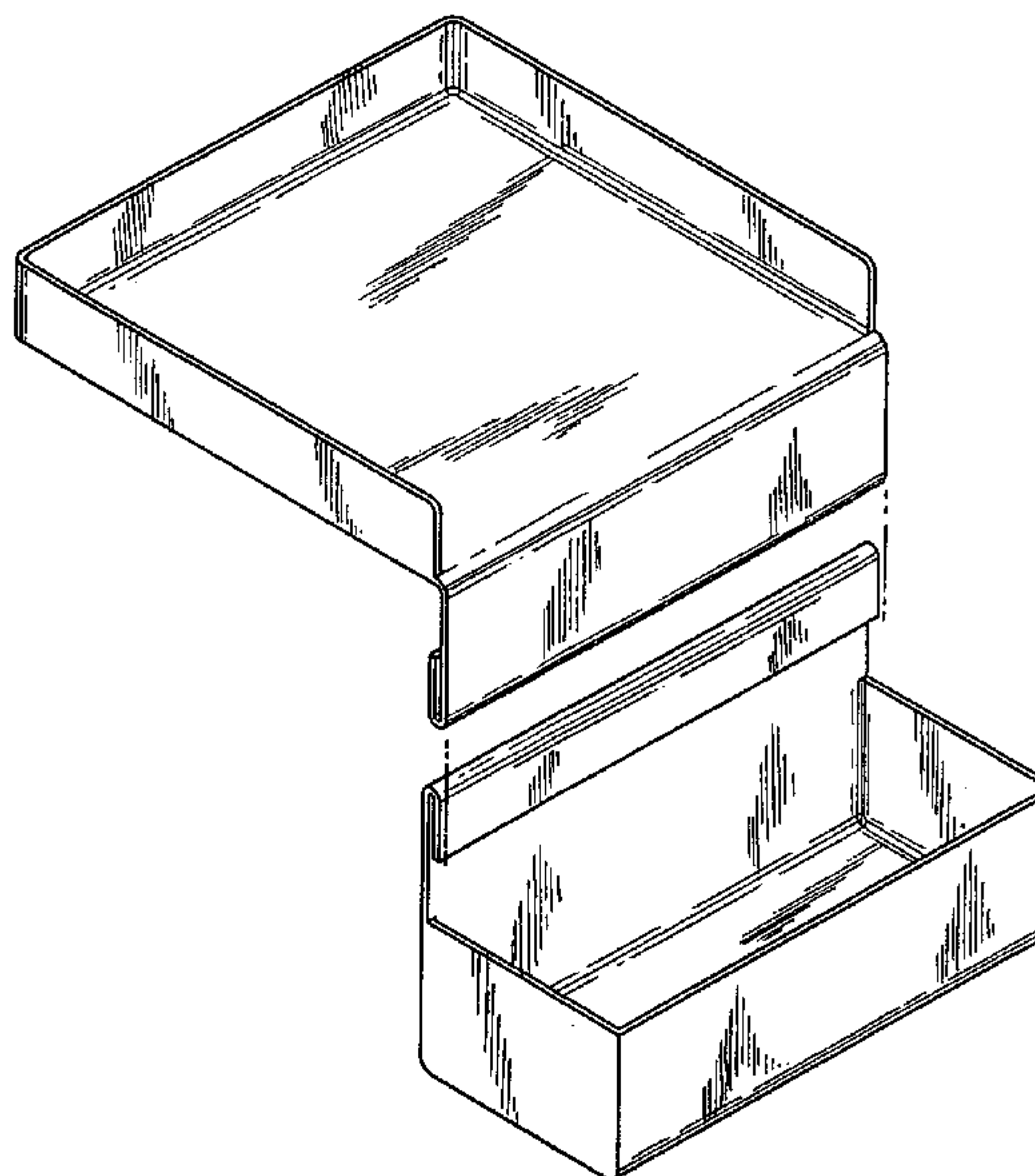
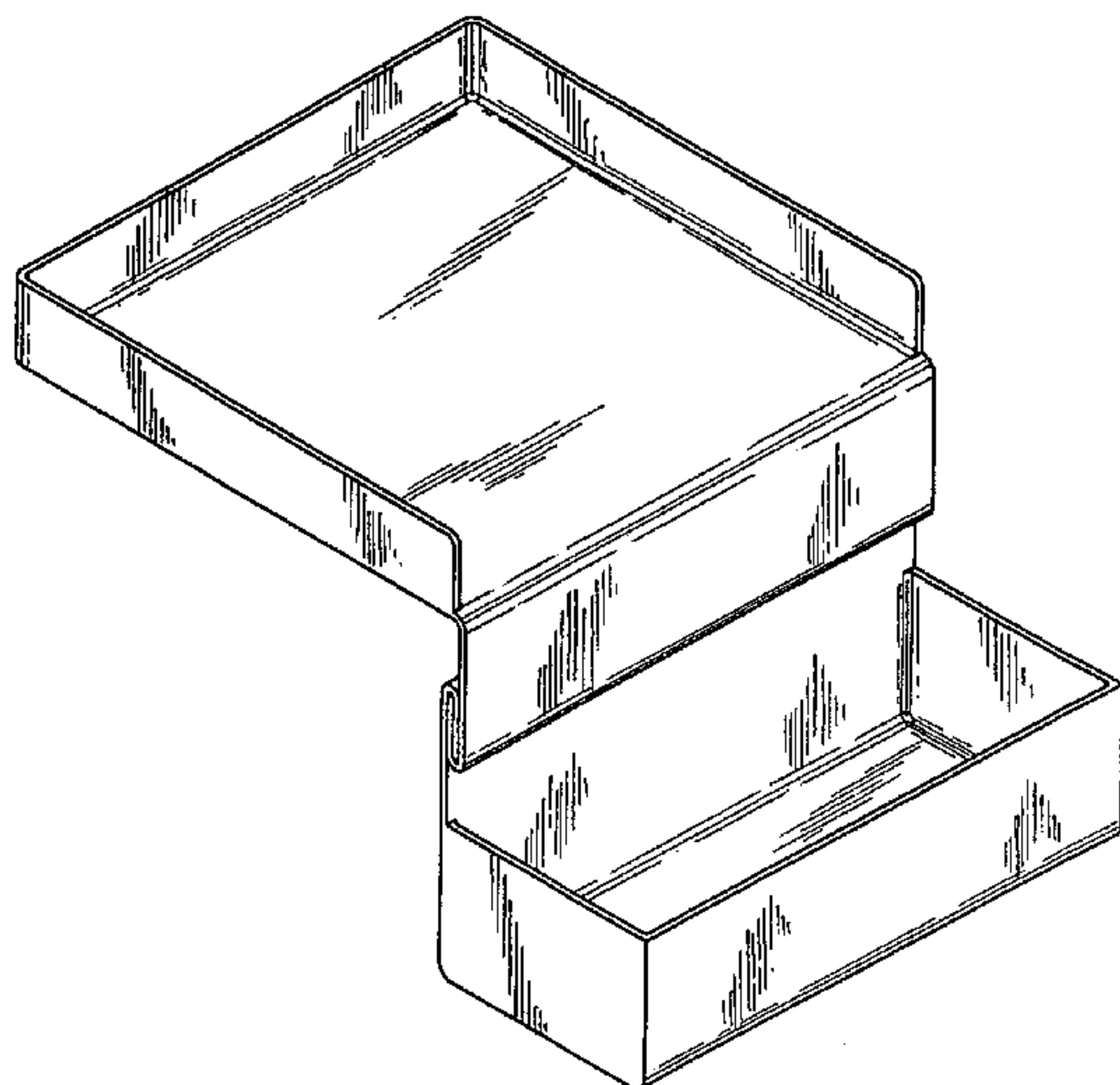
FIG. 5 is a front elevational view;

FIG. 6 is a rear elevational view;

FIG. 7 is a left side elevational view; and,

FIG. 8 is a right side elevational view.

1 Claim, 3 Drawing Sheets



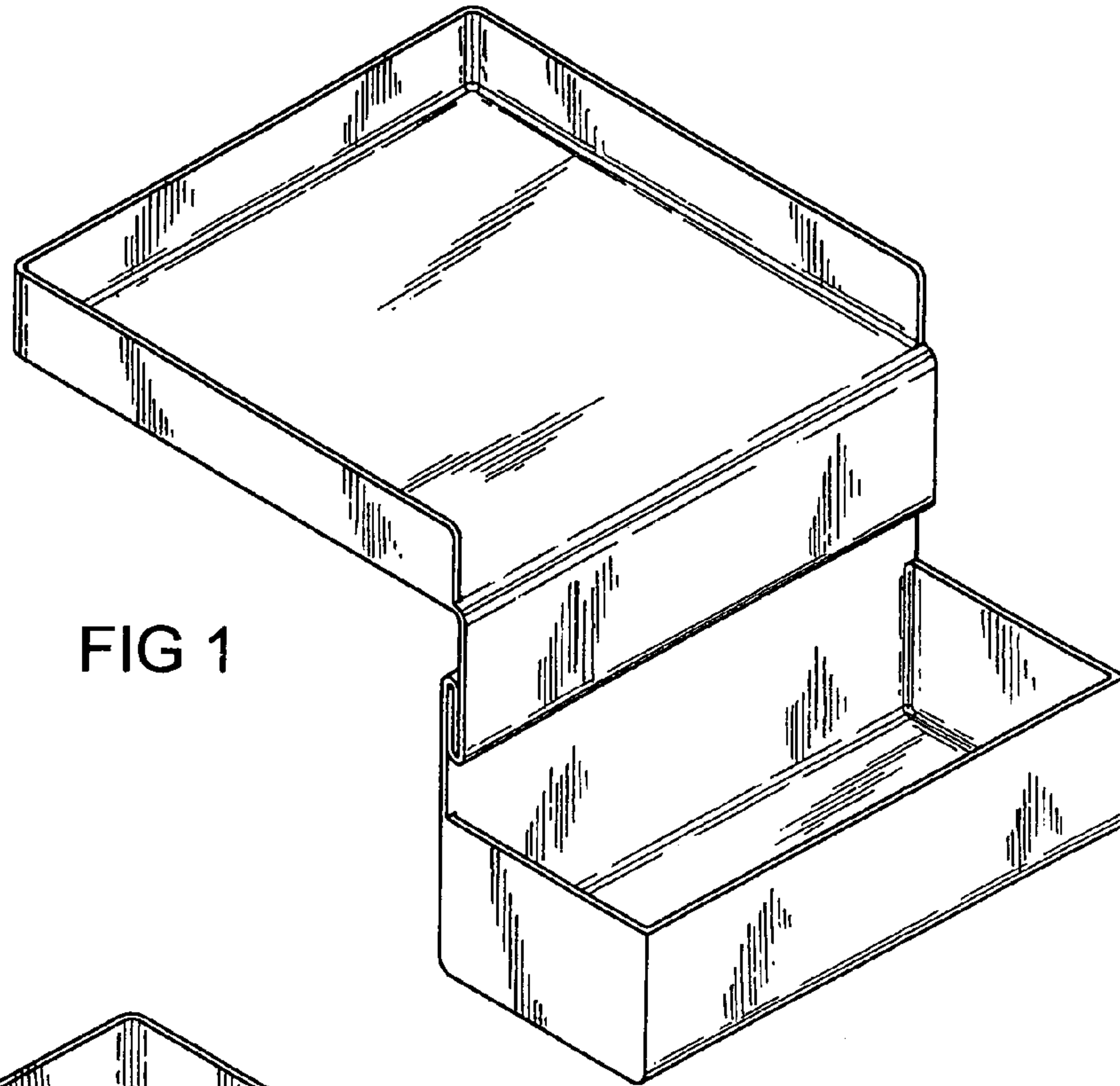


FIG 1

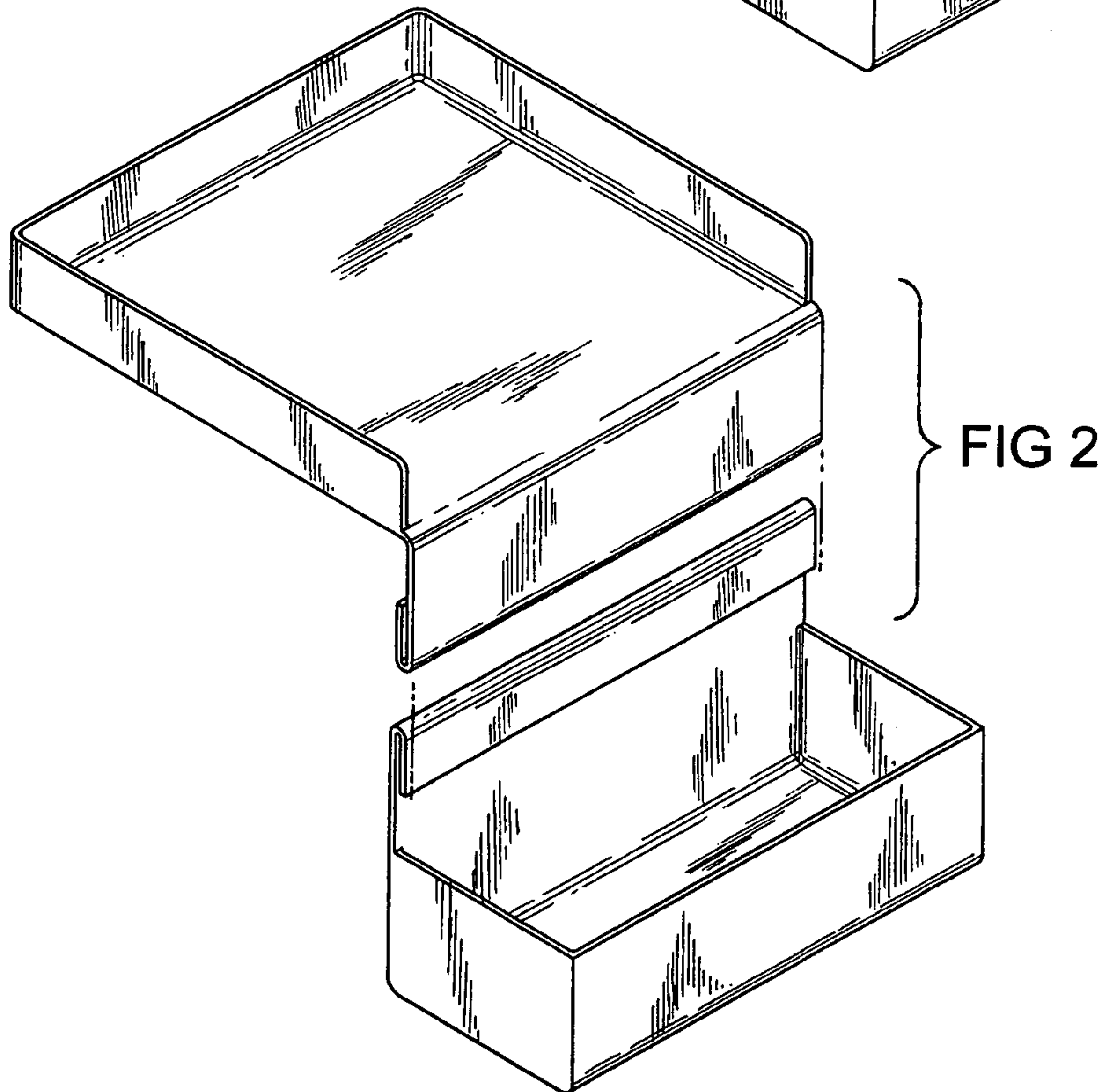


FIG 2

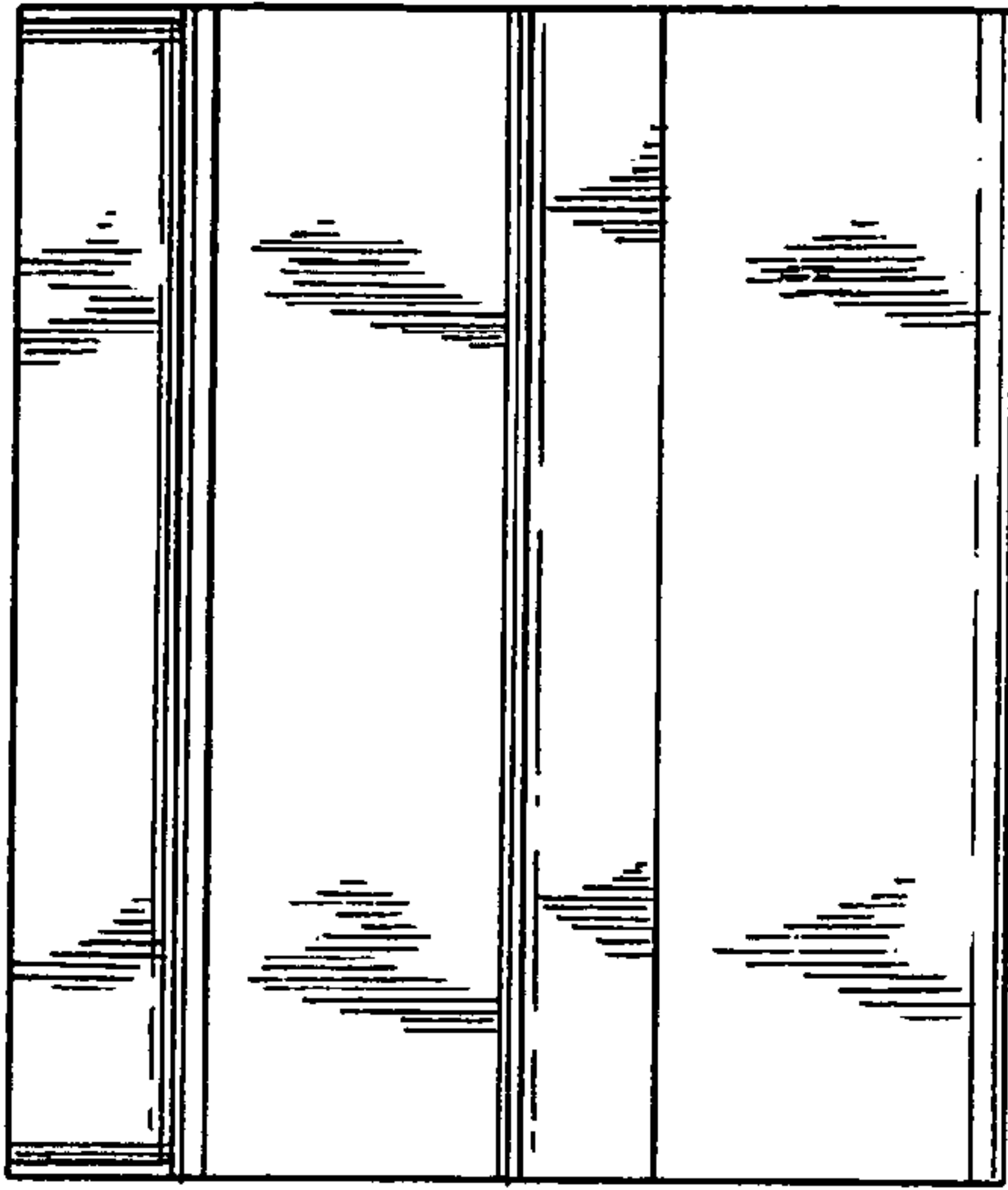


FIG 5

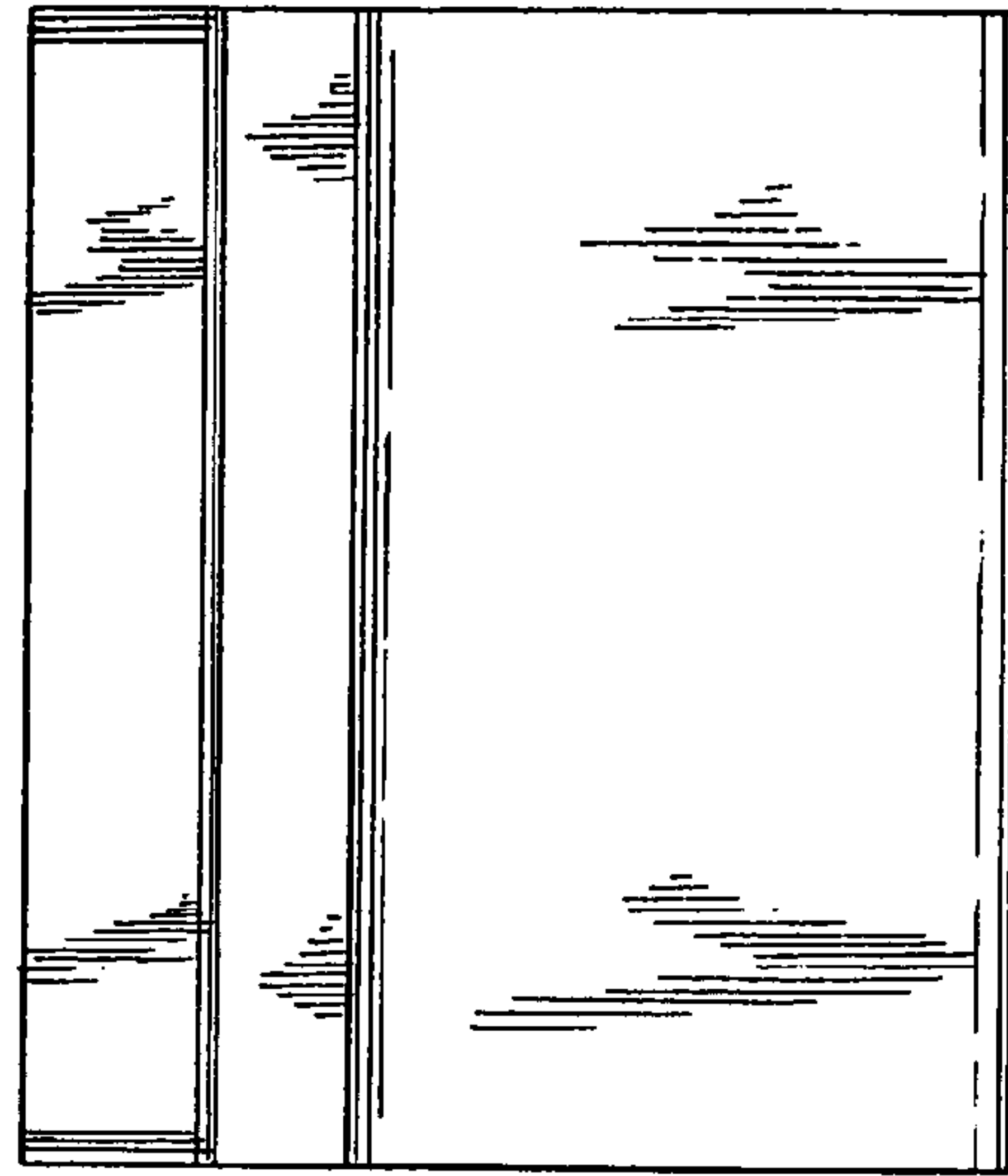


FIG 6

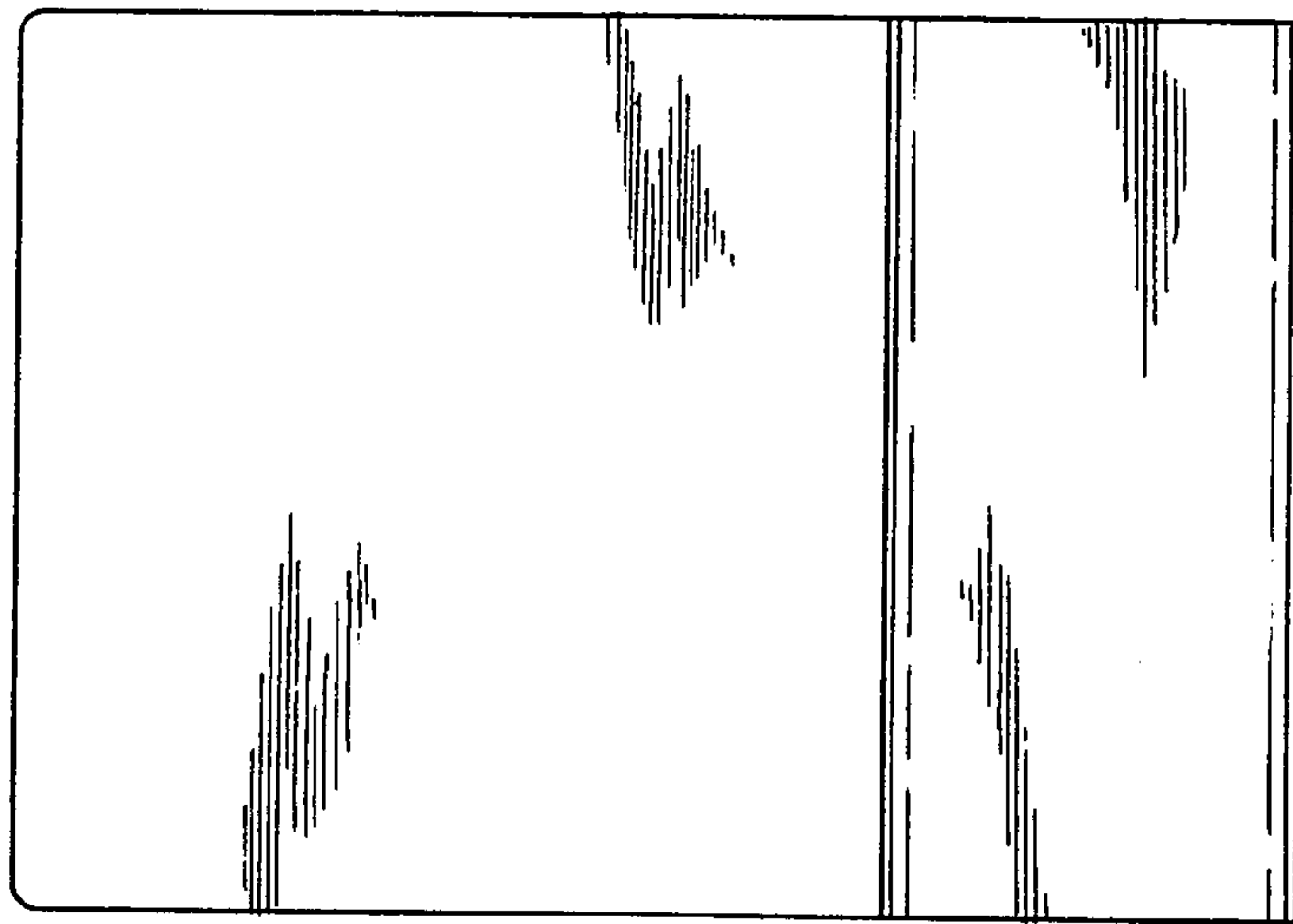


FIG 4

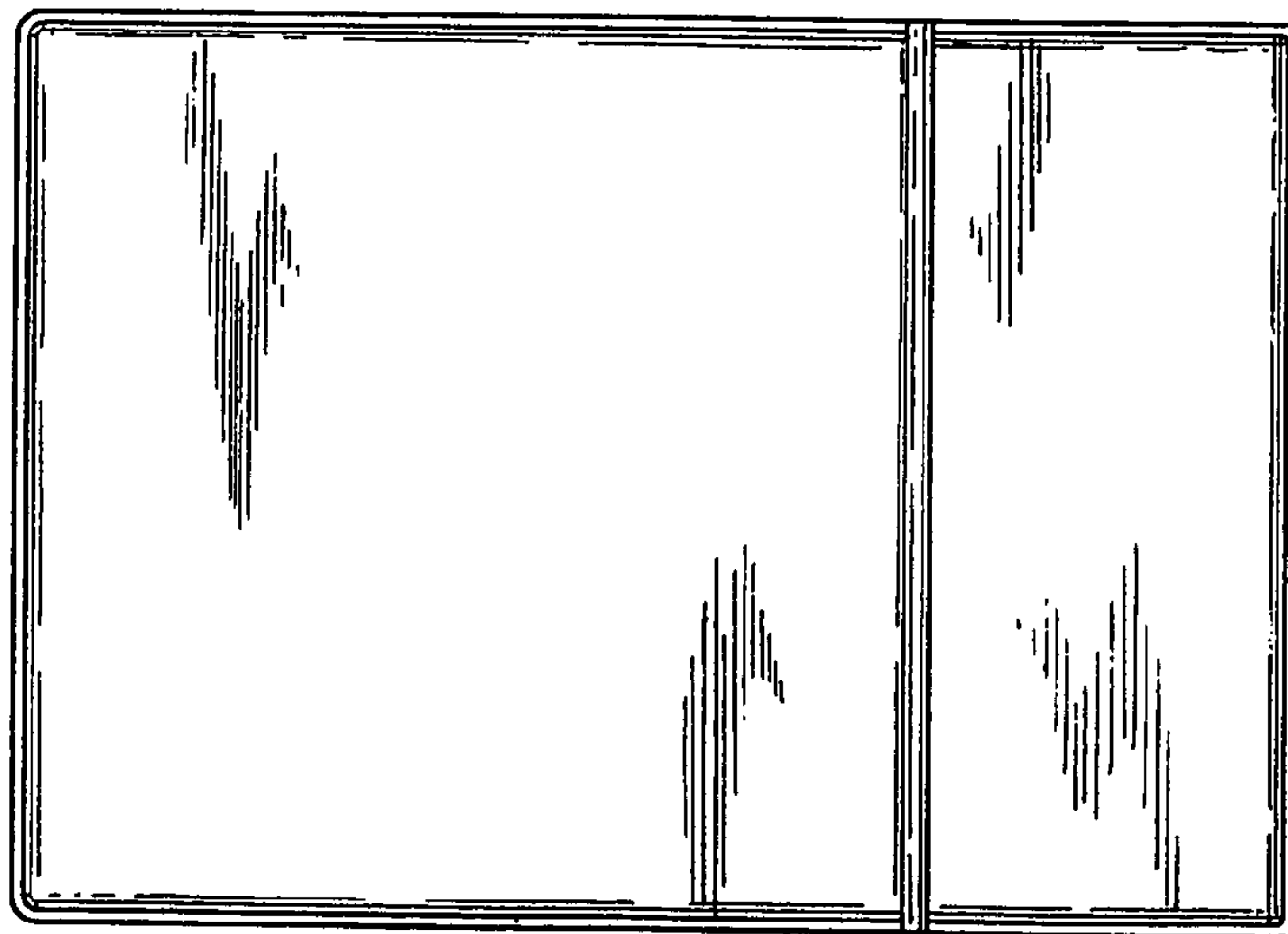


FIG 3

