



US00D550041S

(12) **United States Design Patent**
Rush et al.

(10) **Patent No.:** **US D550,041 S**

(45) **Date of Patent:** **** Sep. 4, 2007**

(54) **DISPOSABLE SERVING BOWL AND LID**

(75) Inventors: **Jonathan E. Rush**, Mount Bethel, PA (US); **Donald B. Campbell**, Northampton, PA (US); **Robert J. Linnander**, Nazareth, PA (US); **Margaret P. Hoks**, Neenah, WI (US); **Gerald J. Van Handel**, Neenah, WI (US); **Anthony J. Swiontek**, Neenah, WI (US)

(73) Assignee: **Dixie Consumer Products LLC**, Atlanta, GA (US)

(**) Term: **14 Years**

(21) Appl. No.: **29/245,312**

(22) Filed: **Dec. 21, 2005**

(51) **LOC (8) Cl.** **07-01**

(52) **U.S. Cl.** **D7/542; D7/538; D7/500**

(58) **Field of Classification Search** D7/354, D7/387, 388, 391, 500, 538, 542, 543, 545, D7/550.1, 552.1, 554.1–554.2, 584, 587, D7/601, 602, 629; D9/424–432; 219/734; 220/574, 656, 657, 659

See application file for complete search history.

(56) **References Cited**

U.S. PATENT DOCUMENTS

2,681,142	A *	6/1954	Cohen	206/522
D312,941	S *	12/1990	Zivin	D7/545
5,065,889	A *	11/1991	Conti	220/360
D373,954	S *	9/1996	Wolff	D9/429
D450,580	S *	11/2001	Littlejohn et al.	D9/429
D452,417	S	12/2001	Whitmore et al.	
D468,202	S *	1/2003	Chou	D9/429
D479,097	S *	9/2003	Willis	D7/565
D479,441	S *	9/2003	Whitworth et al.	D7/629
D485,470	S *	1/2004	Willis	D7/542
D515,872	S *	2/2006	Vendl et al.	D7/545
7,124,910	B2 *	10/2006	Nordland	220/839
D532,649	S *	11/2006	Peterson	D7/388
2007/0003739	A1 *	1/2007	Peterson	428/174

* cited by examiner

Primary Examiner—Philip S. Hyder

Assistant Examiner—Cynthia Underwood

(74) *Attorney, Agent, or Firm*—Georgia-Pacific LLC; Jacqueline M. Hutter

(57) **CLAIM**

The ornamental design for a disposable serving bowl and lid, as shown and described.

DESCRIPTION

A portion of the disclosure of this patent document contains material to which a claim for copyright is made. The copyright owner has no objection to the facsimile reproduction by anyone of the patent document or the patent disclosure as it appears in the Patent and Trademark Office patent file or records, but reserves all other copyright rights whatsoever.

FIG. 1 is a perspective view of the inventive disposable serving bowl and lid with the lid mounted on the bowl;

FIG. 2 is a top plan view of the disposable serving bowl and lid with the lid mounted on the bowl;

FIG. 3 is a bottom plan view of the assembly of FIG. 2;

FIG. 4 is a top plan view of the disposable serving bowl and lid of FIG. 1, wherein the disposable bowl is placed beside the disposable lid;

FIG. 5 is a bottom plan view of the disposable serving bowl and lid of FIG. 1, wherein the disposable bowl is placed beside the disposable lid;

FIG. 6 is a view in elevation and perspective of the disposable serving bowl and lid of FIG. 1 wherein the disposable bowl is placed beside the disposable lid;

FIG. 7 is an enlarged view in section and elevation of the bowl along line 7—7 of FIG. 4; and,

FIG. 8 is an enlarged view in section and elevation along line 8—8 of FIG. 4.

The disposable bowl is generally symmetrical about an imaginary axis bisecting the brim portion of the bowl at its maximum span, as will be appreciated from the drawings.

The disposable lid is generally symmetrical about an imaginary axis through one of its rim tabs which is also equidistant from the other two tabs, as will be appreciated from the drawings.

1 Claim, 7 Drawing Sheets

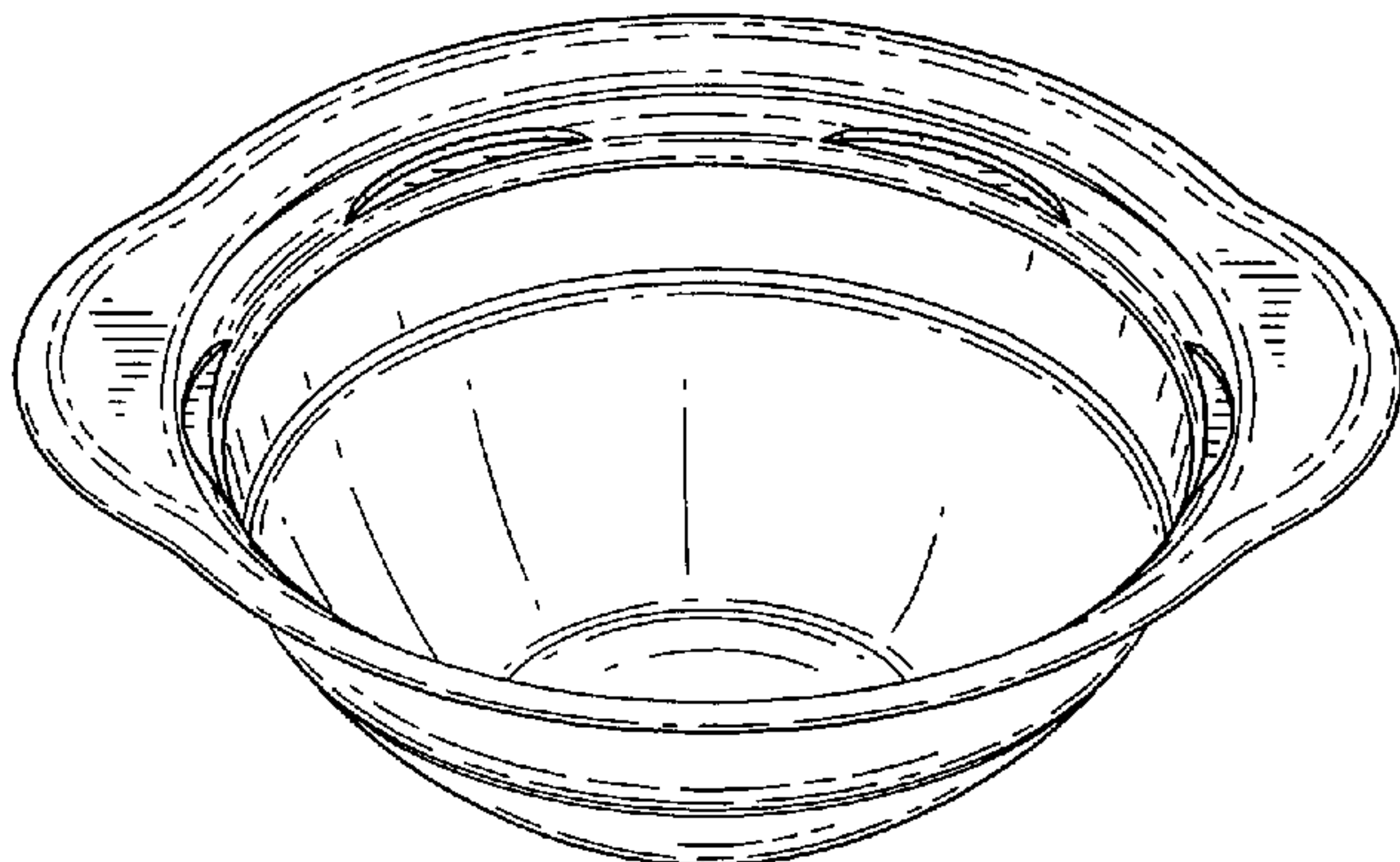
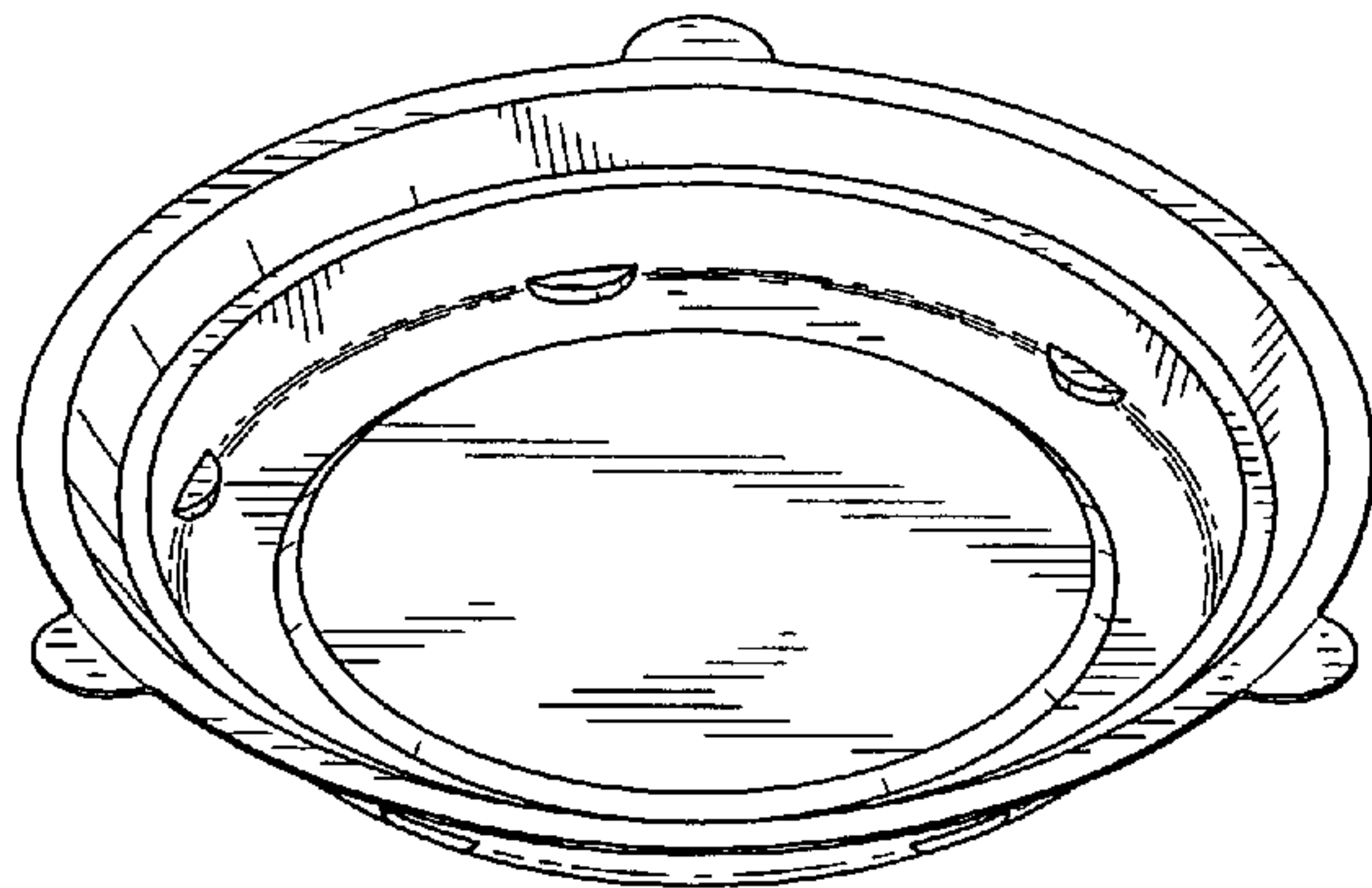


FIG. 1

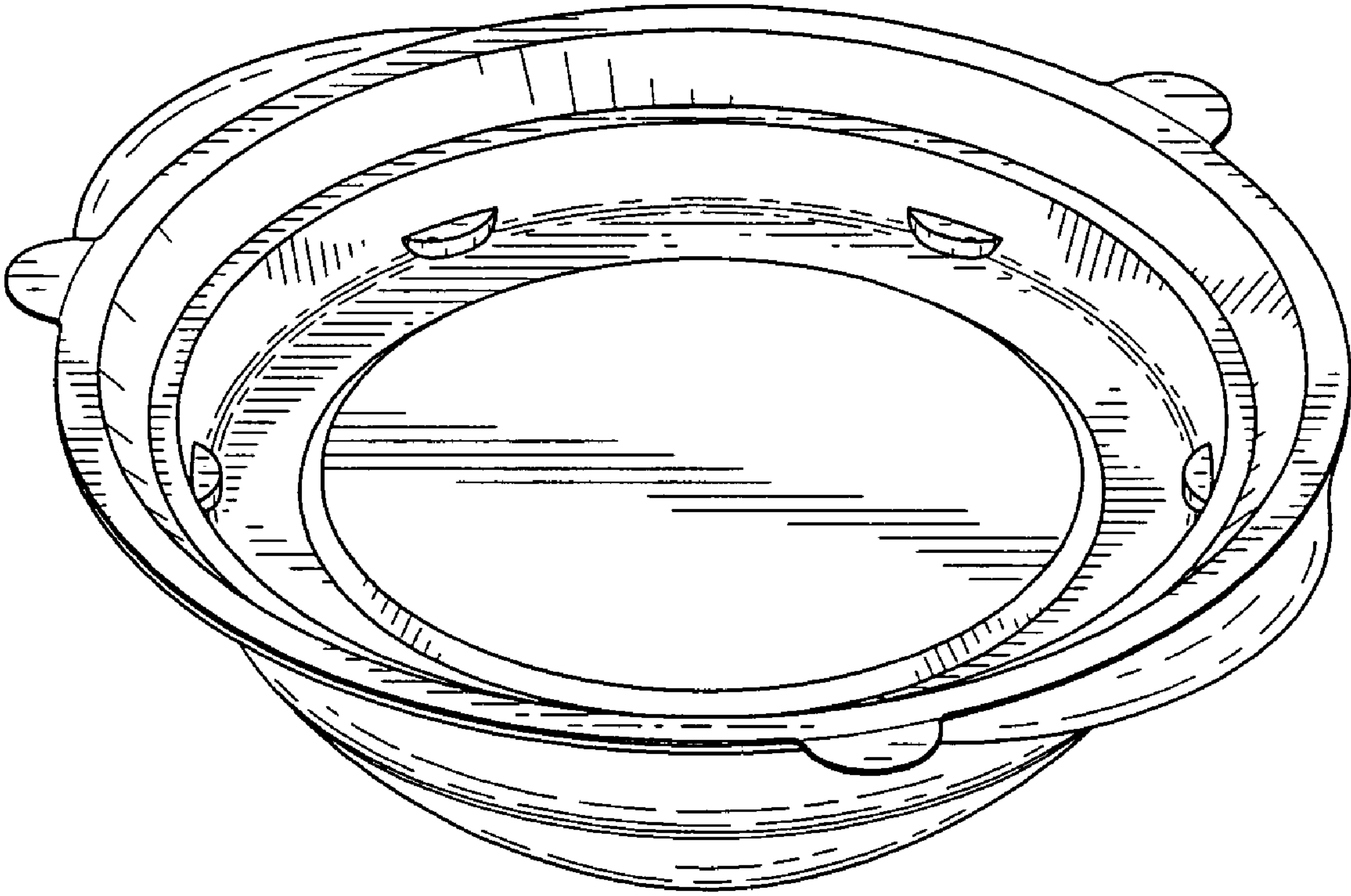


FIG. 2

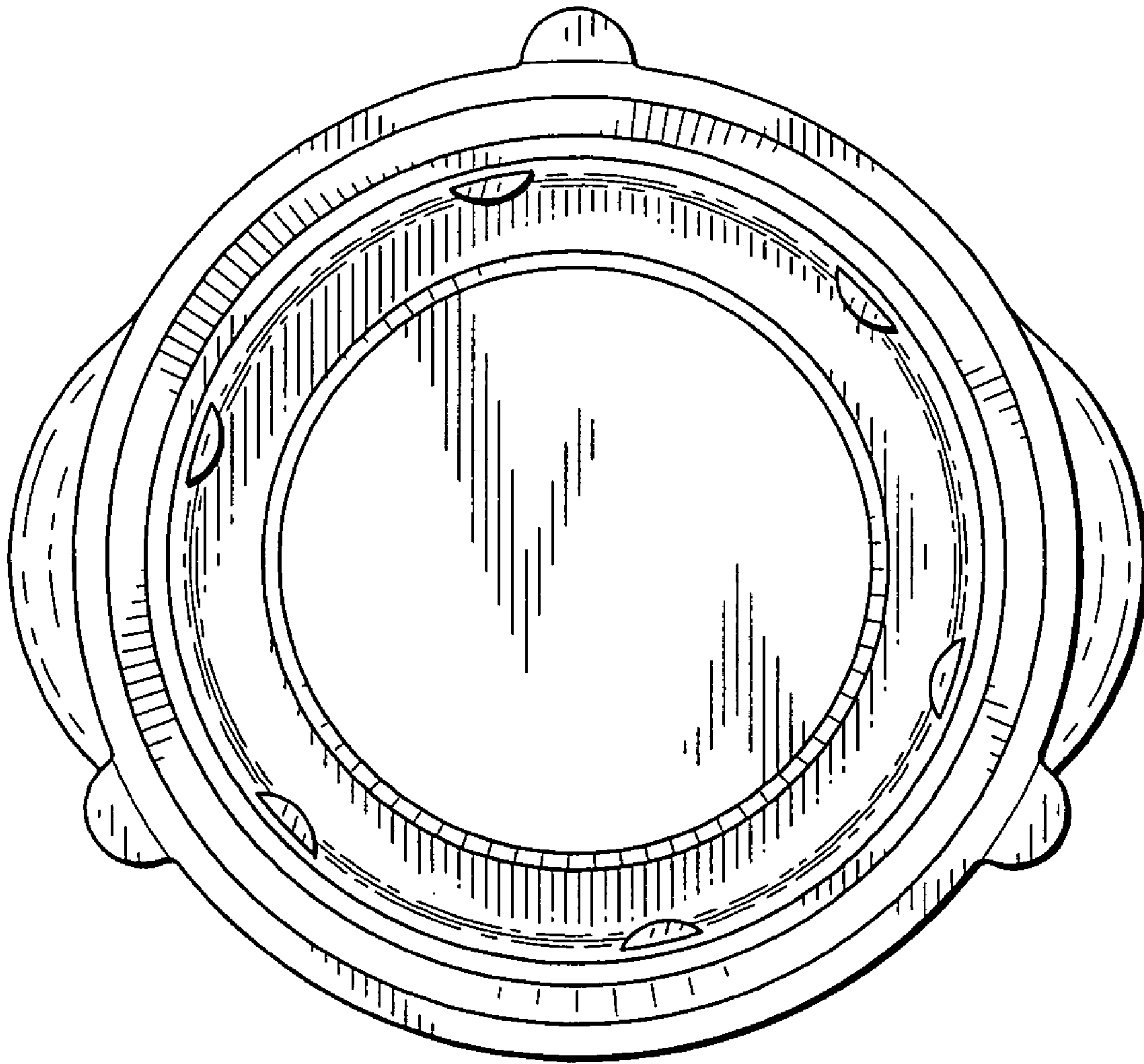


FIG. 3

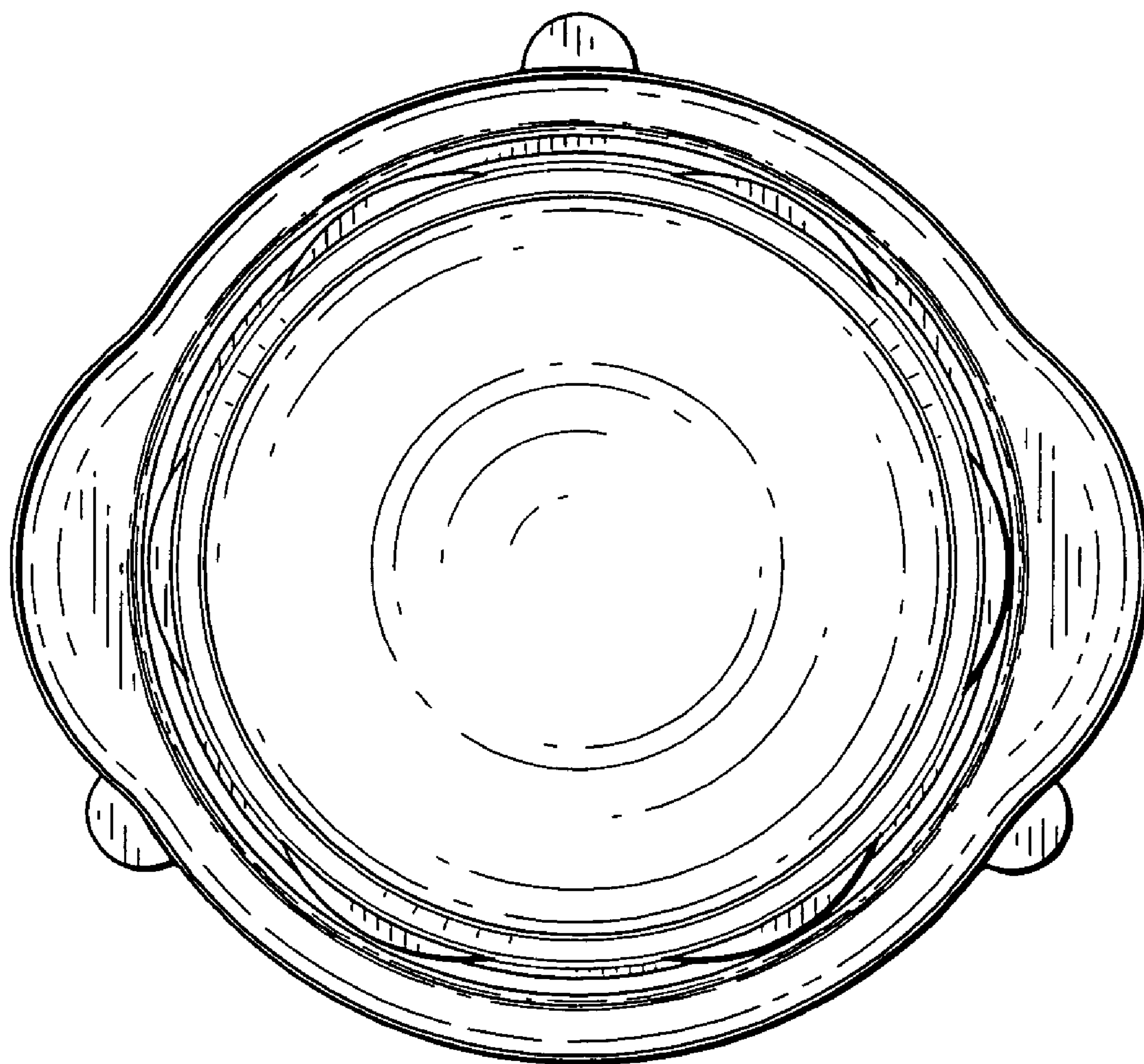


FIG. 4

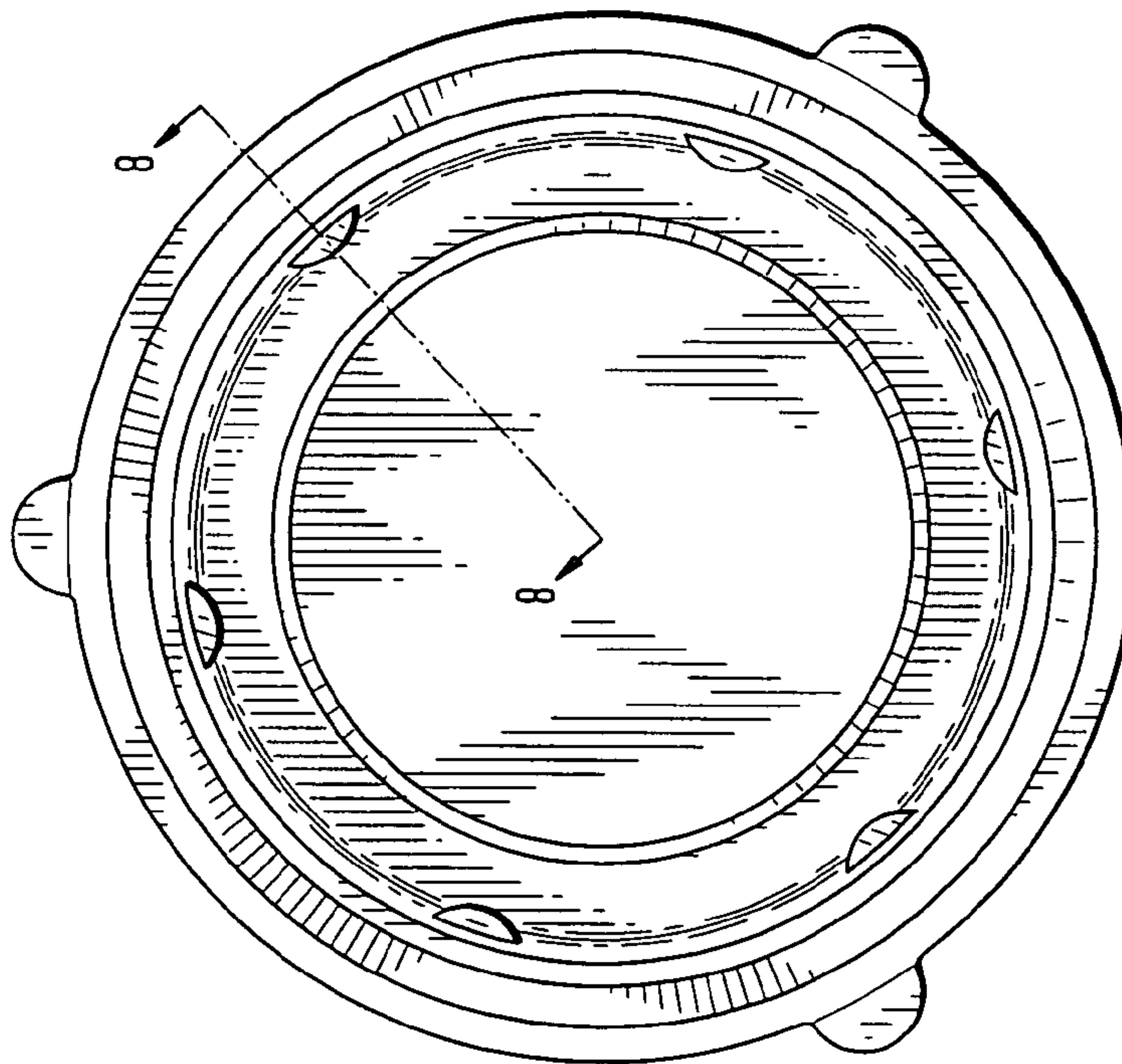
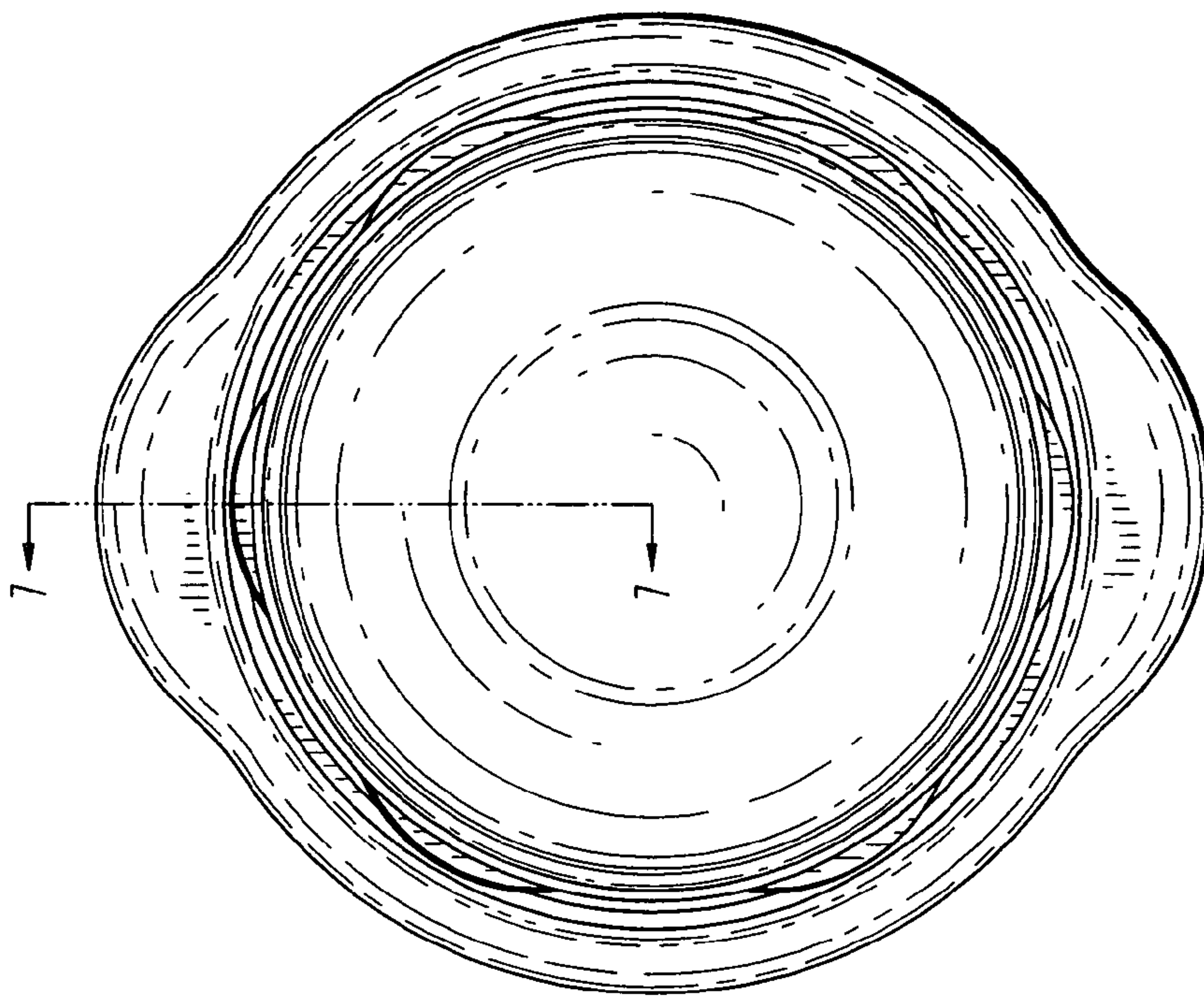


FIG. 5

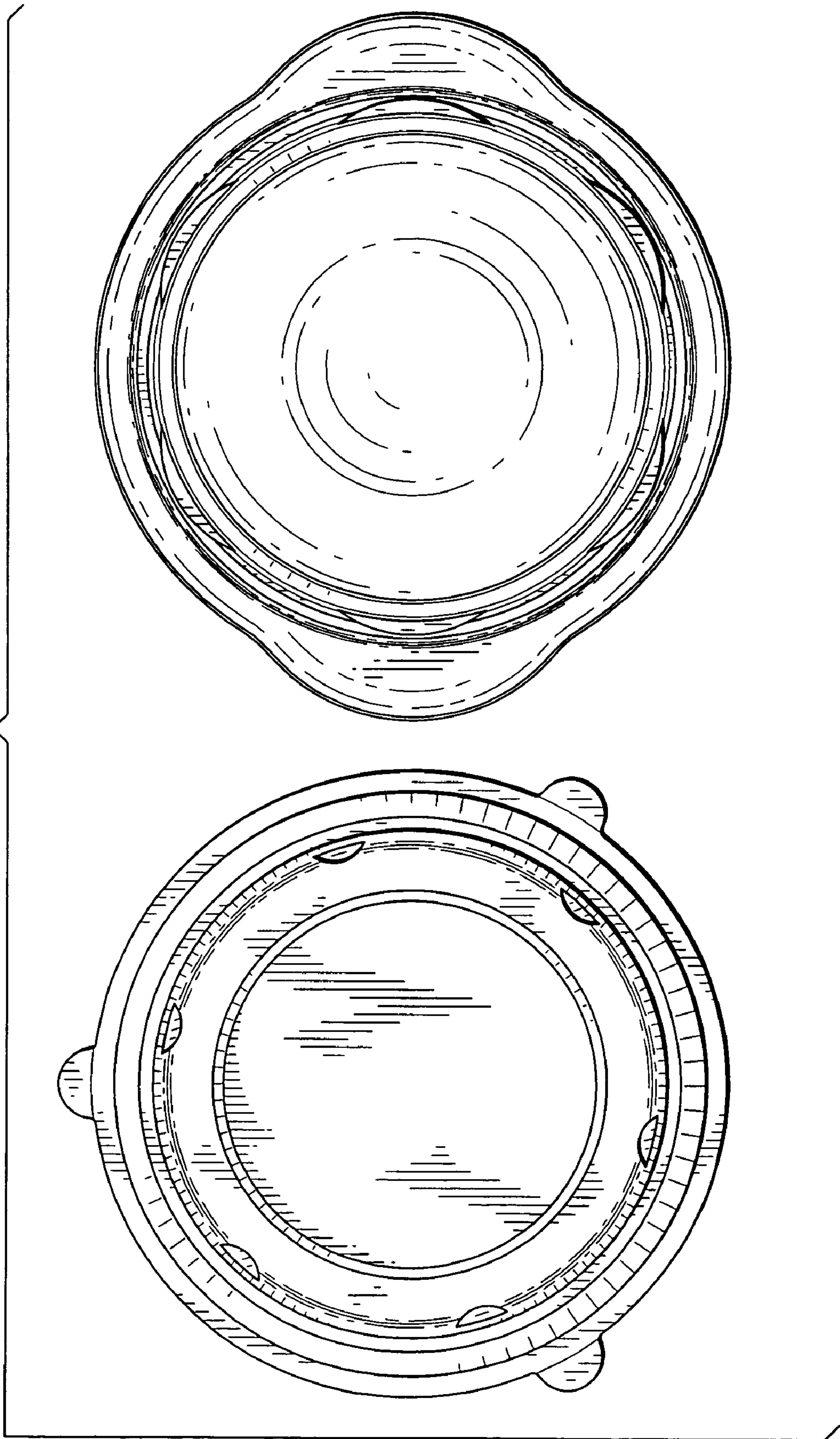


FIG. 6

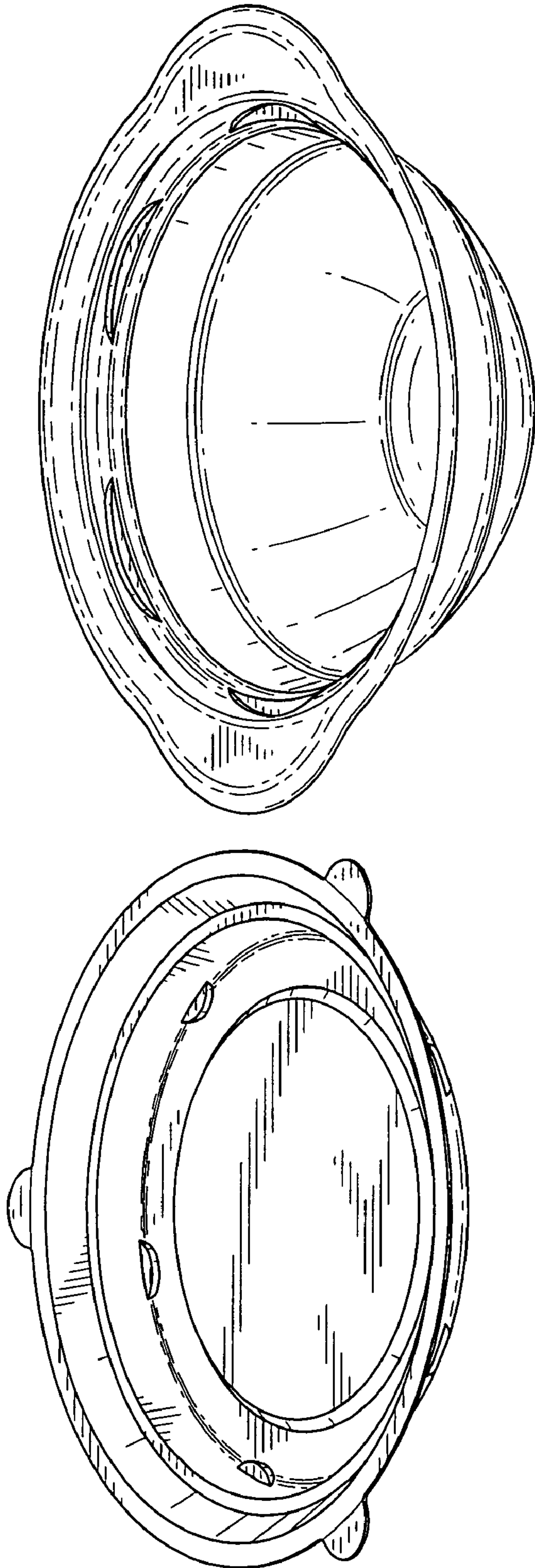


FIG. 7

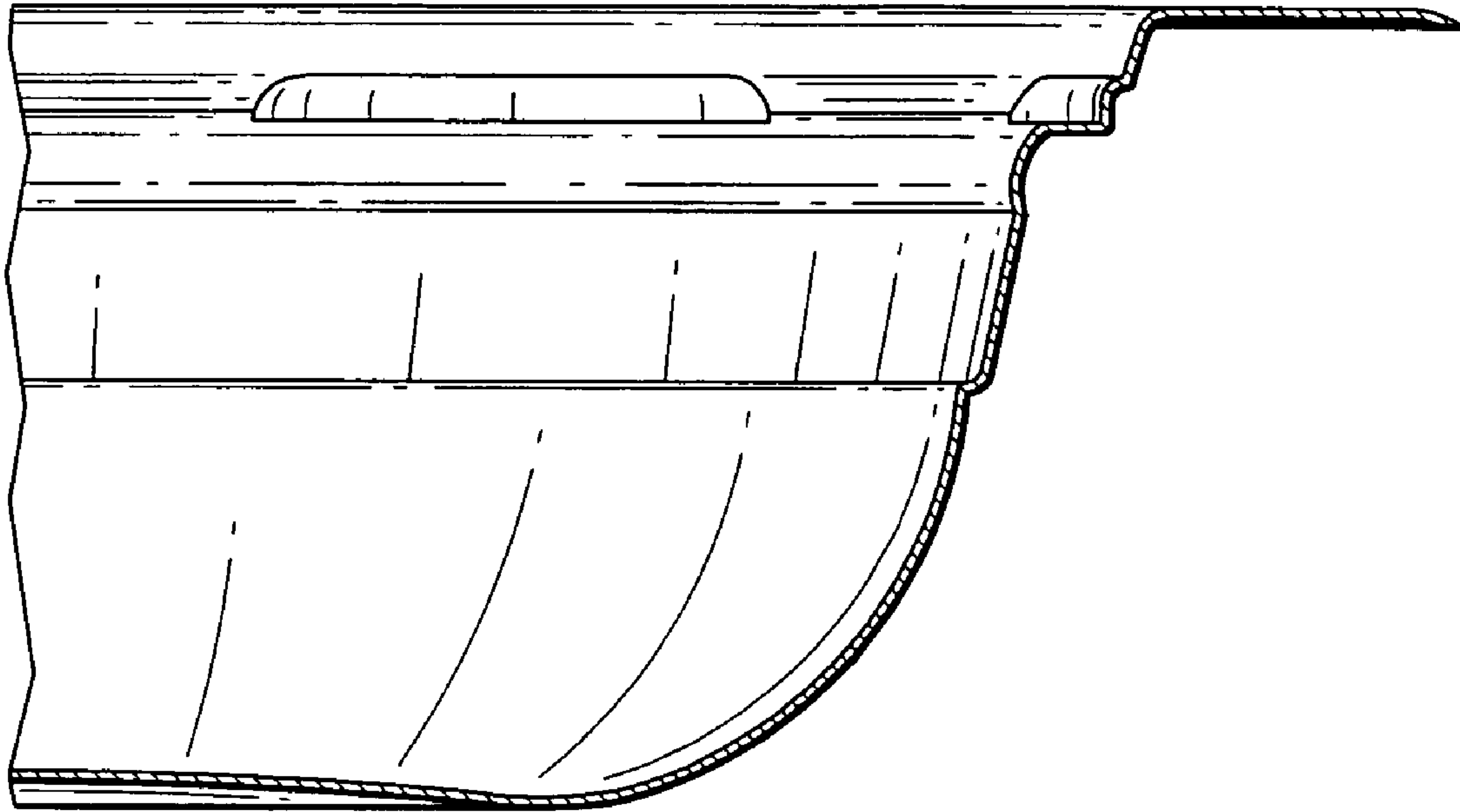


FIG. 8

