



US00D550040S

(12) **United States Design Patent**
Tien

(10) **Patent No.:** **US D550,040 S**

(45) **Date of Patent:** **** Sep. 4, 2007**

(54) **MUG**

(75) Inventor: **Kuang-Hsia Tien**, Monrovia, CA (US)

(73) Assignee: **Sweda Company, LLC.**, Monrovia, CA (US)

(**) Term: **14 Years**

(21) Appl. No.: **29/268,595**

(22) Filed: **Nov. 9, 2006**

(51) **LOC (8) Cl.** **07-01**

(52) **U.S. Cl.** **D7/531; D7/509; D7/523**

(58) **Field of Classification Search** D7/396.2,
D7/500, 509-511, 523, 524, 537-8, 526-528,
D7/530-533, 540, 565, 584, 900, 601, 622;
D9/500, 502, 516, 519, 549, 555, 545, 778,
D9/110; 215/387, DIG. 7, 383, 384; 220/495.04,
220/592.16, 592.17, 703, 710.5, 711, 560;
229/400

See application file for complete search history.

(56) **References Cited**

U.S. PATENT DOCUMENTS

- D22,001 S * 11/1892 Proeger D7/530
- D217,094 S * 4/1970 Gallagher D7/531
- D255,339 S * 6/1980 Christian D11/152

- D409,446 S * 5/1999 St. John et al. D7/536
- D480,917 S * 10/2003 Holsinger et al. D7/533
- D486,997 S * 2/2004 Janky D7/531
- D493,668 S * 8/2004 Hsu D7/531
- D494,022 S * 8/2004 Bodum D7/608
- D494,418 S * 8/2004 Bodum D7/533
- D507,152 S * 7/2005 Trombly D7/536
- D507,723 S * 7/2005 Bodum D7/597

* cited by examiner

Primary Examiner—Philip S. Hyder

Assistant Examiner—Cynthia Underwood

(74) *Attorney, Agent, or Firm*—Clement Cheng

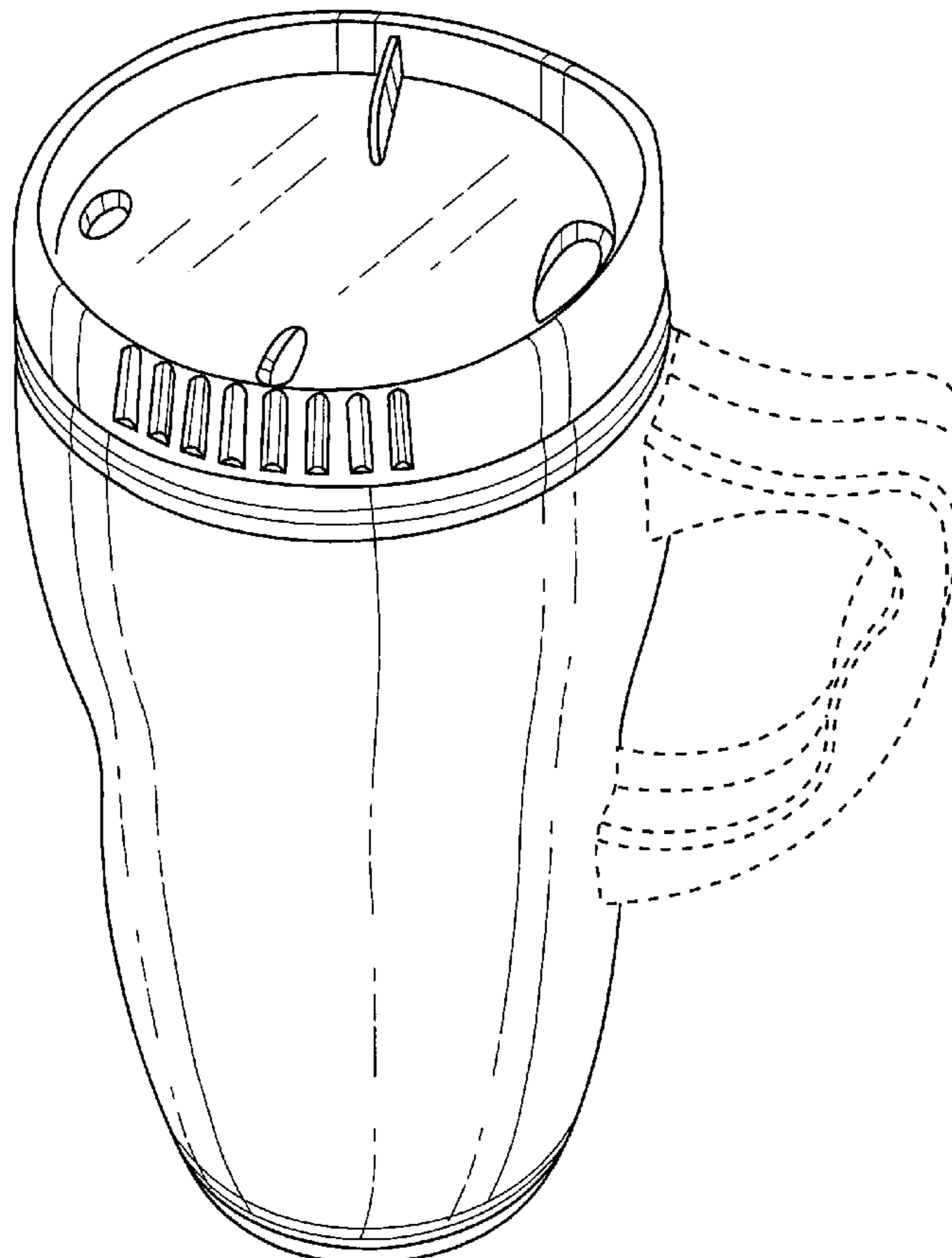
(57) **CLAIM**

The ornamental design for a mug, as shown and described.

DESCRIPTION

FIG. 1 is a perspective view of the mug,
 FIG. 2 is a front perspective view,
 FIG. 3 is a right side perspective view,
 FIG. 4 is a left side perspective view,
 FIG. 5 is a back side perspective view,
 FIG. 6 is a top view; and,
 FIG. 7 is a bottom view showing.

1 Claim, 7 Drawing Sheets



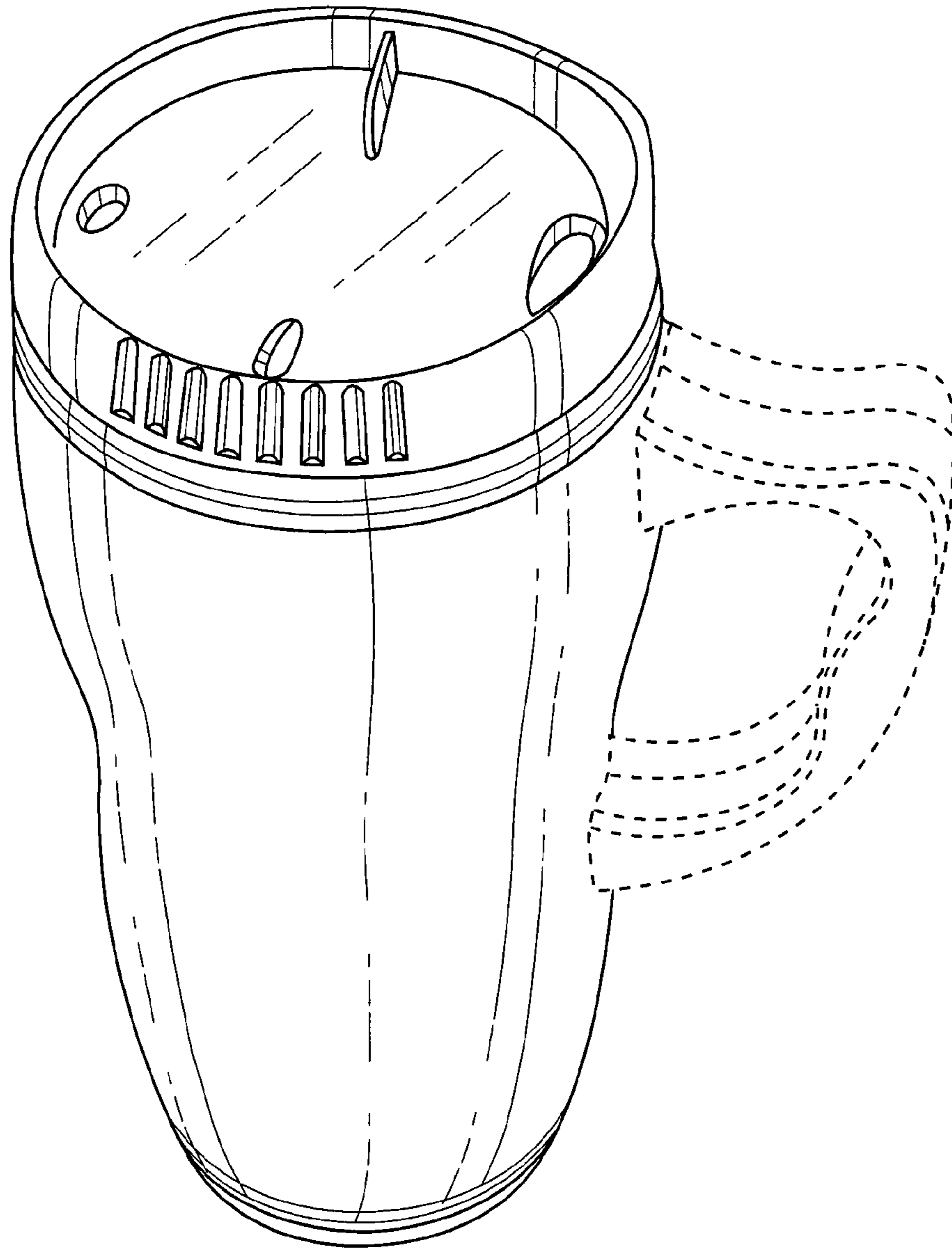


Fig. 1

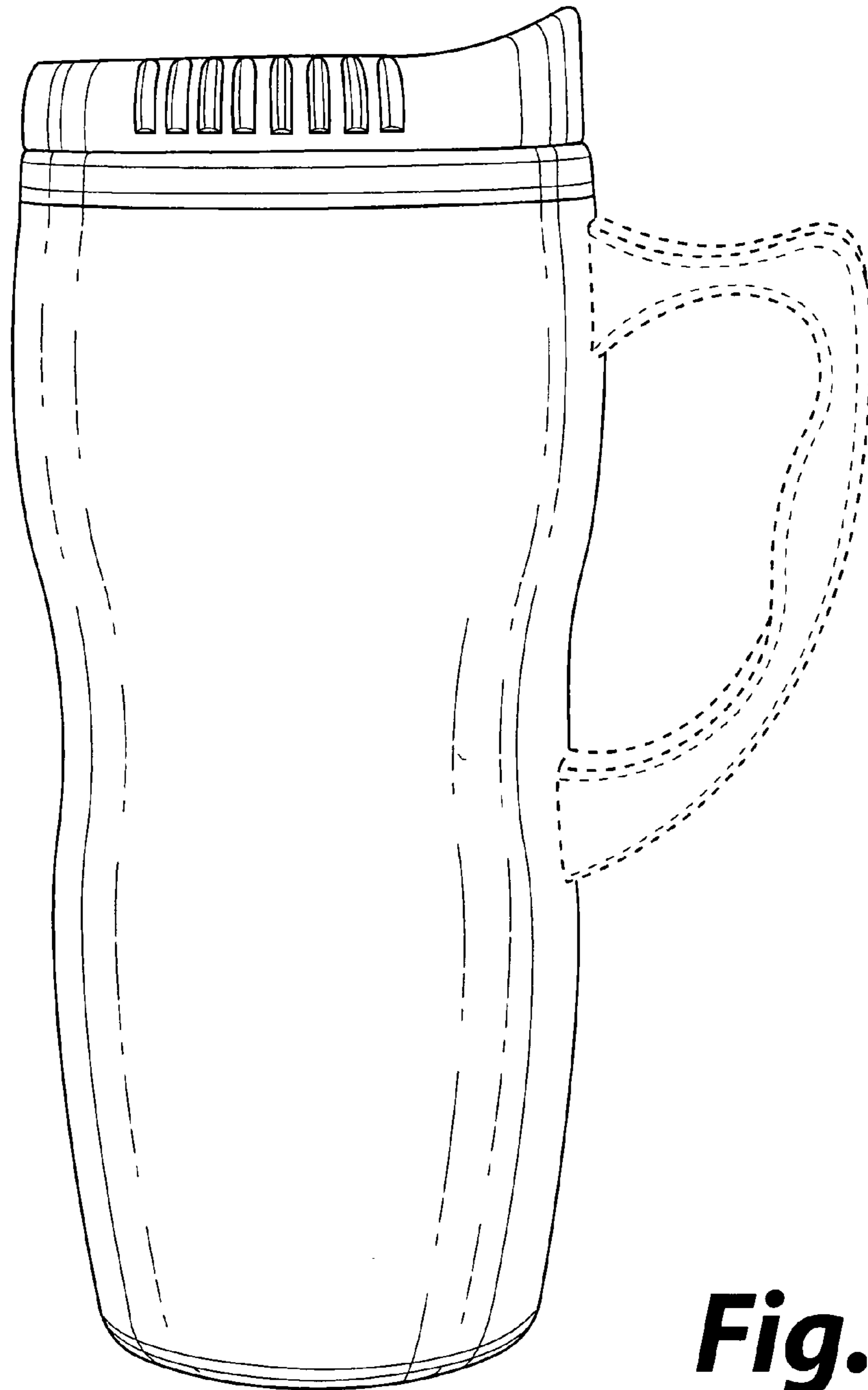


Fig. 2

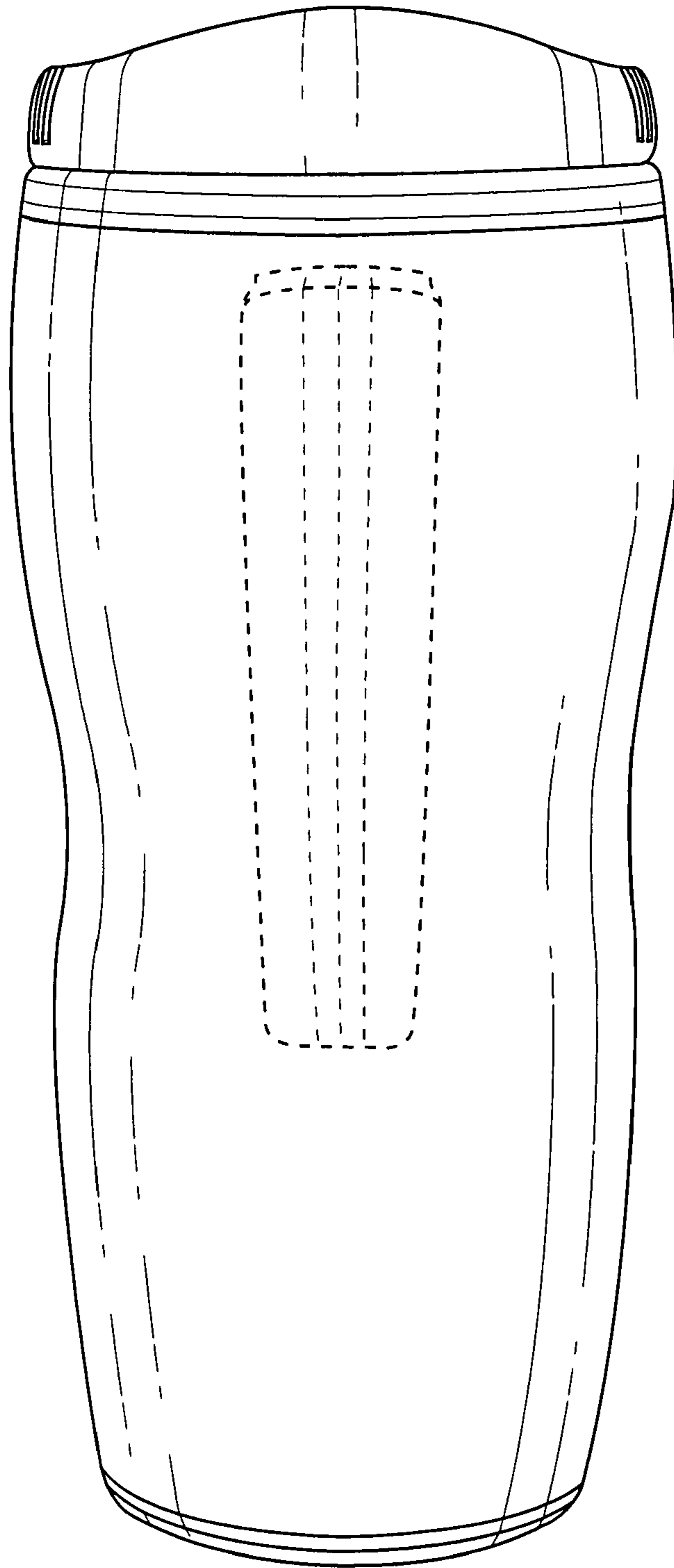


Fig.3

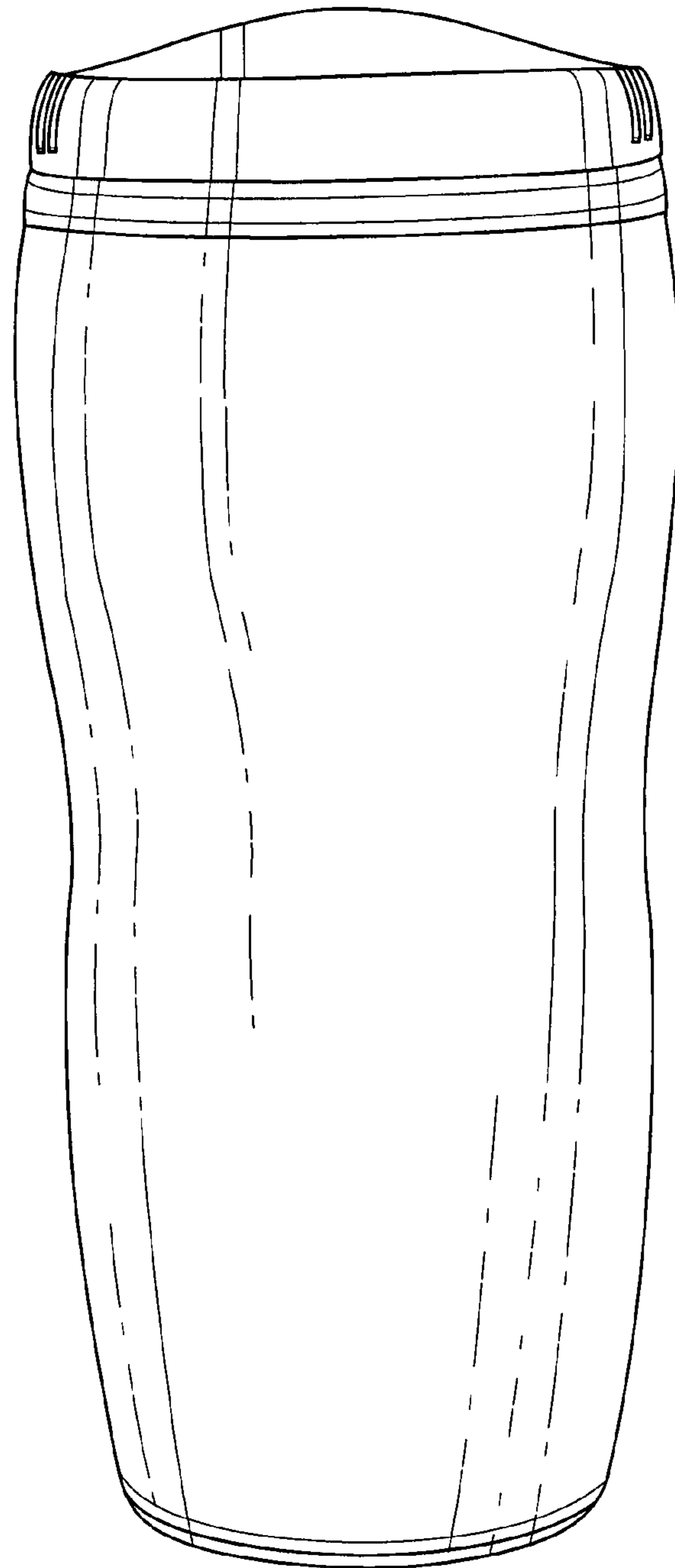


Fig.4

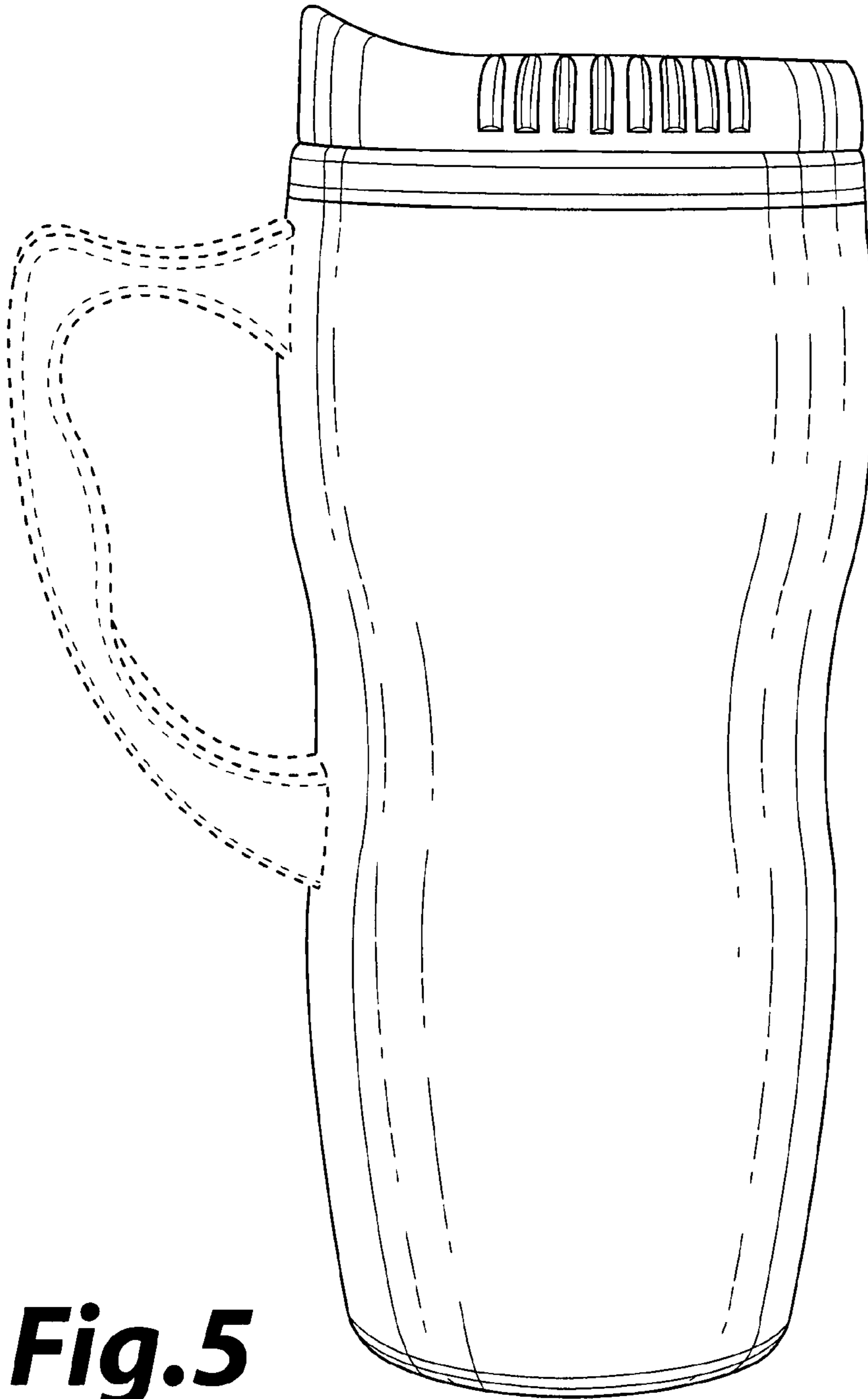


Fig.5

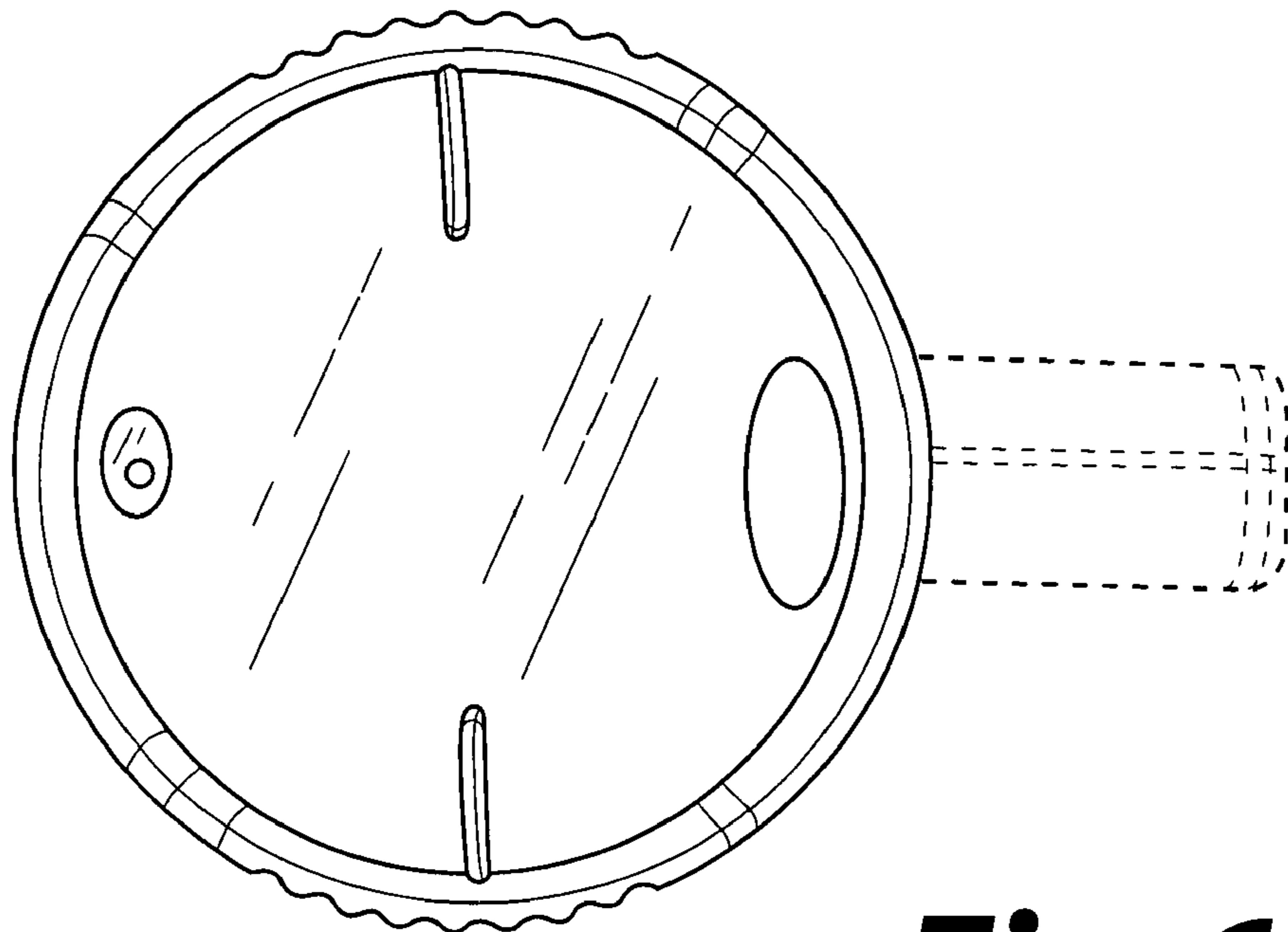


Fig.6

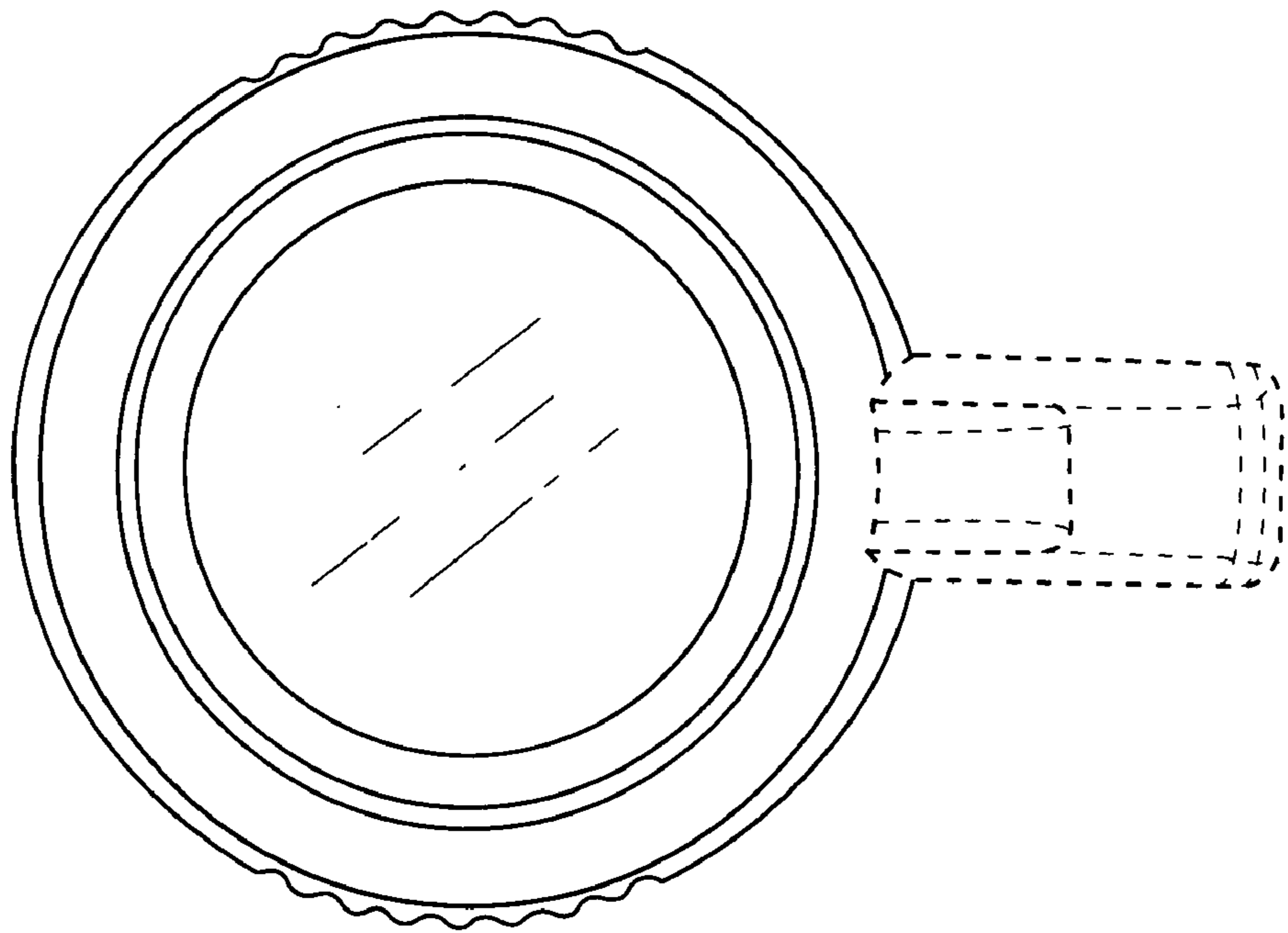


Fig.7