



US00D550038S

(12) **United States Design Patent**
Trombly

(10) **Patent No.:** **US D550,038 S**

(45) **Date of Patent:** **** Sep. 4, 2007**

(54) **MUG**

D522,864 S * 6/2006 Westphal D9/500

(75) **Inventor:** **Edgar F. Trombly**, Grosse Pointe Farms, MI (US)

(73) **Assignee:** **Punch Products USA, Inc.**, Rahway, NJ (US)

(**) **Term:** **14 Years**

(21) **Appl. No.:** **29/245,459**

(22) **Filed:** **Dec. 22, 2005**

(51) **LOC (8) Cl.** **07-01**

(52) **U.S. Cl.** **D7/523; D7/509; D7/510; D7/533**

(58) **Field of Classification Search** D7/396.2, D7/500, 509, 510, 523, 524, 526-528, 530-532, D7/540, 565, 584, 900; D9/500, 502, 516, D9/519, 549, 555, 776, 778; D34/1; 215/10, 215/387, DIG. 7; 220/495.04, 560, 592.16, 220/592.17, 703; 226/406; 229/400; 383/110
See application file for complete search history.

(56) **References Cited**

U.S. PATENT DOCUMENTS

D44,616 S *	9/1913	Pick	D7/523
D110,280 S *	6/1938	Fuerst	D7/523
D129,604 S *	9/1941	Forgue	D9/500
D188,427 S *	7/1960	Glaser	D7/523
D228,229 S *	8/1973	Mascia	D9/776
5,415,312 A *	5/1995	Mueller	220/254.3
D404,969 S *	2/1999	Krenzler	D7/507
D420,254 S *	2/2000	Park	D7/510
D429,959 S *	8/2000	Otake	D7/510
D483,226 S *	12/2003	Belton et al.	D7/533
D483,995 S *	12/2003	Otake	D7/523
D508,186 S *	8/2005	Edelstein et al.	D7/510

OTHER PUBLICATIONS

Photographs of Mug from CDI International, 2003.

* cited by examiner

Primary Examiner—Philip S. Hyder

Assistant Examiner—Cynthia Underwood

(74) *Attorney, Agent, or Firm*—Baker Botts L.L.P.

(57) **CLAIM**

The ornamental design for a mug, as shown and described.

DESCRIPTION

FIG. 1 is a front view of a first embodiment of a mug showing my new design;

FIG. 2 is a top view of the embodiment of FIG. 1;

FIG. 3 is a bottom side view of the embodiment of FIG. 1;

FIG. 4 is a rear view of the embodiment of FIG. 1;

FIG. 5 is a left side view of the embodiment of FIG. 1;

FIG. 6 is a right side view of a second embodiment of a mug showing my new design;

FIG. 7 is a front view of a second embodiment of a mug showing my new design;

FIG. 8 is a top view of the embodiment of FIG. 7;

FIG. 9 is a bottom side view of the embodiment of FIG. 7;

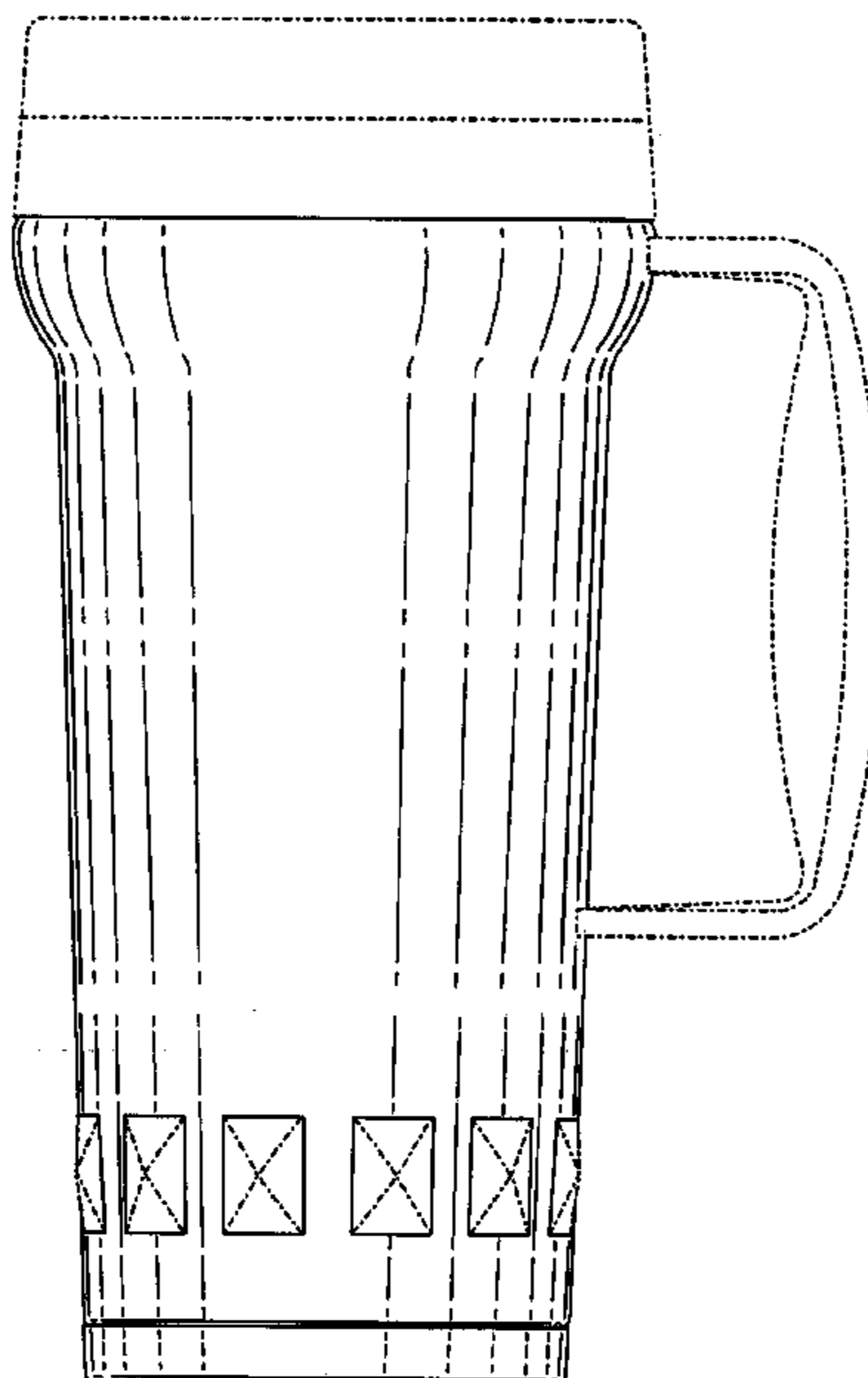
FIG. 10 is a rear view of the embodiment of FIG. 7;

FIG. 11 is a left side view of the embodiment of FIG. 7; and,

FIG. 12 is a right side view of a second embodiment of a mug showing my new design.

The broken lines are provided for illustrative purposes only and form no part of the claimed design.

1 Claim, 10 Drawing Sheets



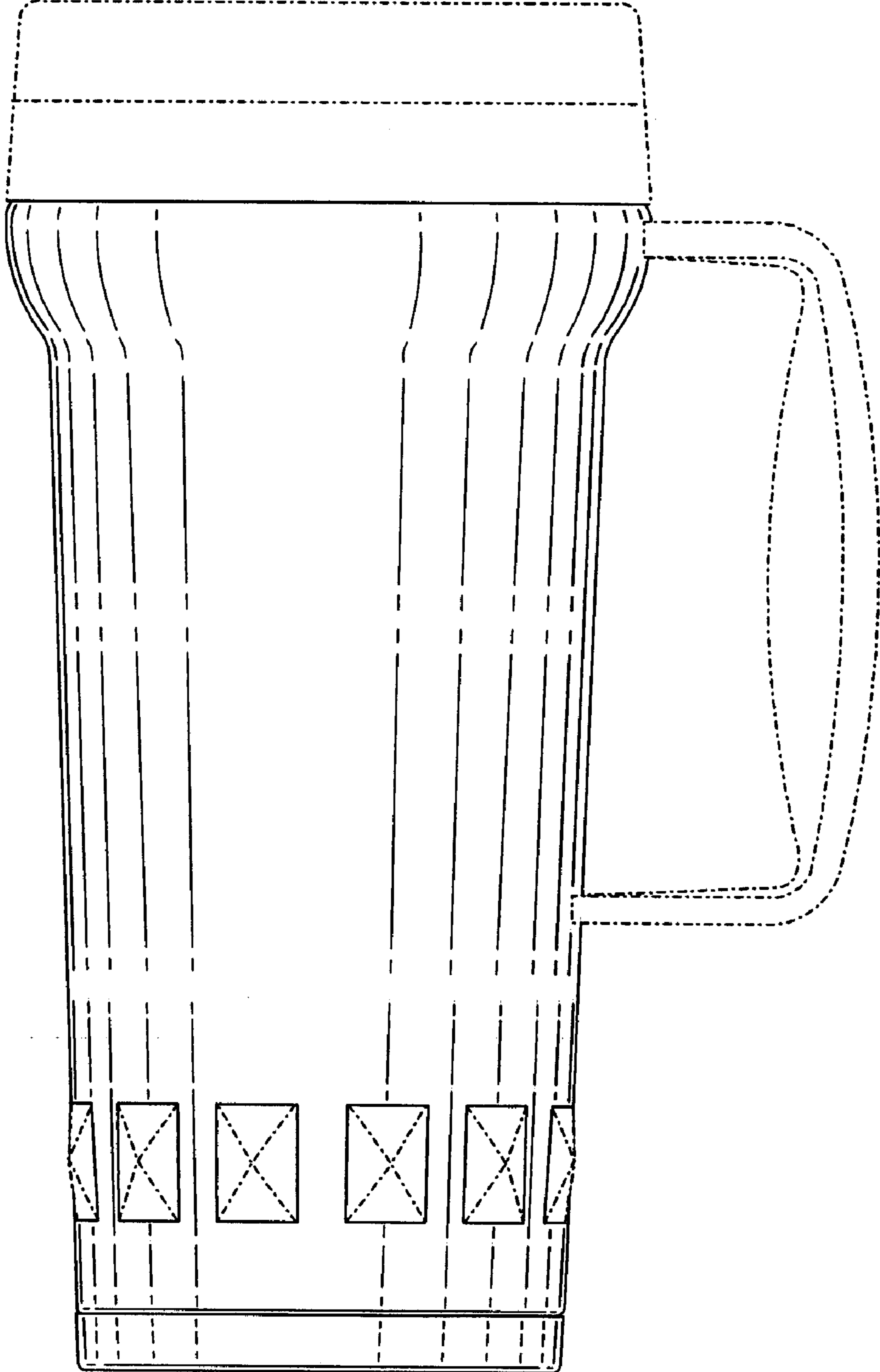


FIG. 1

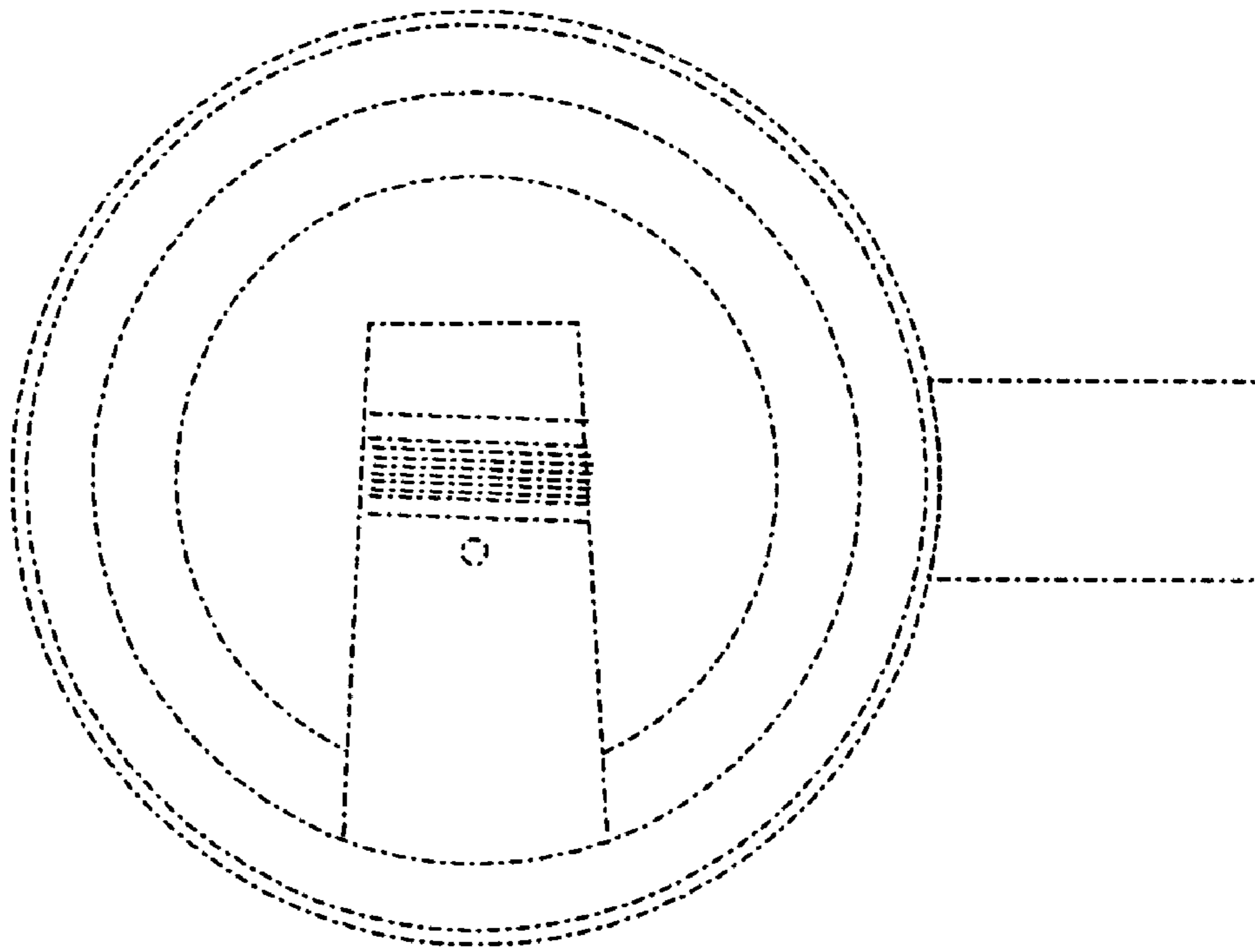


FIG. 2

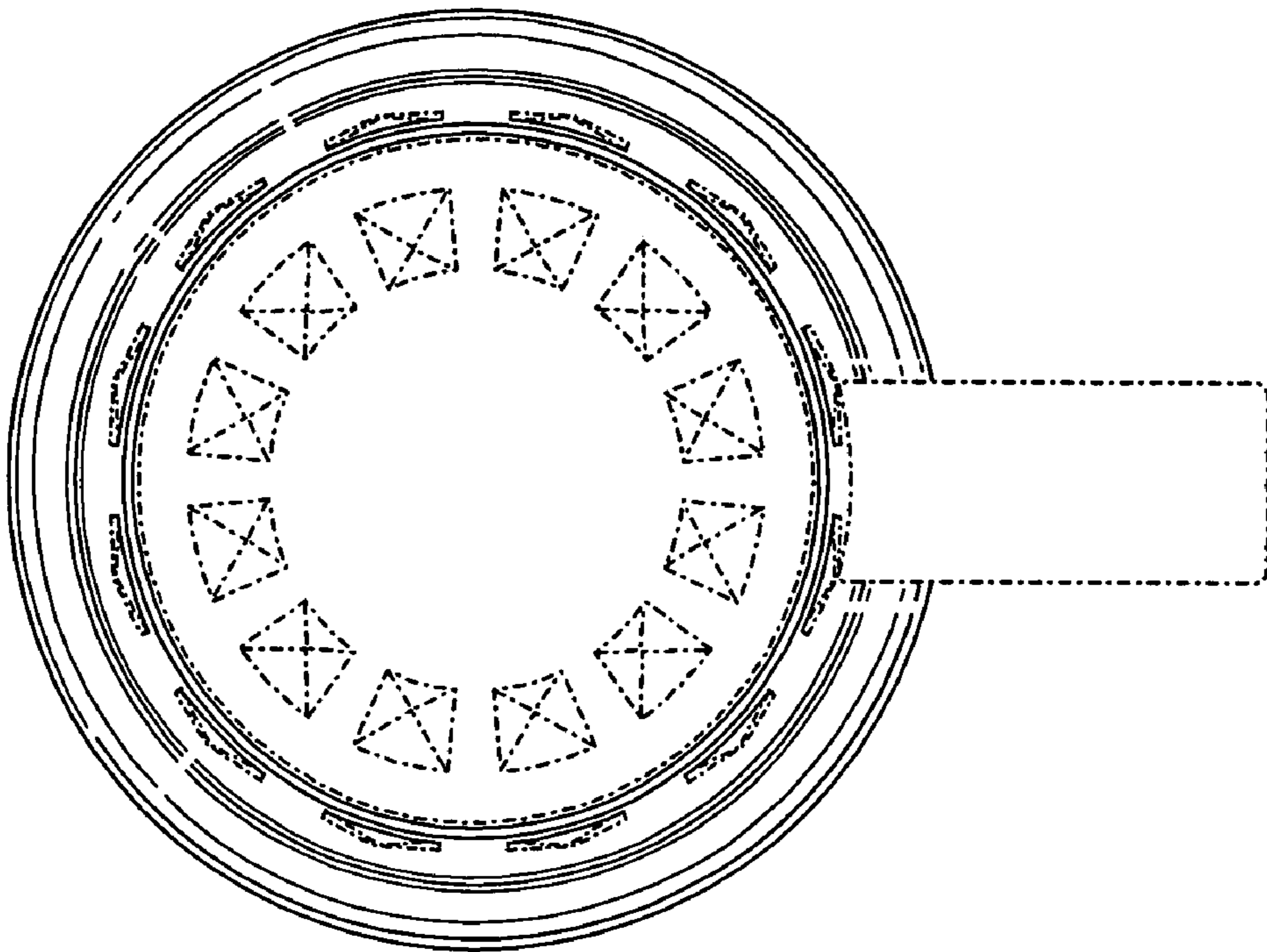


FIG. 3

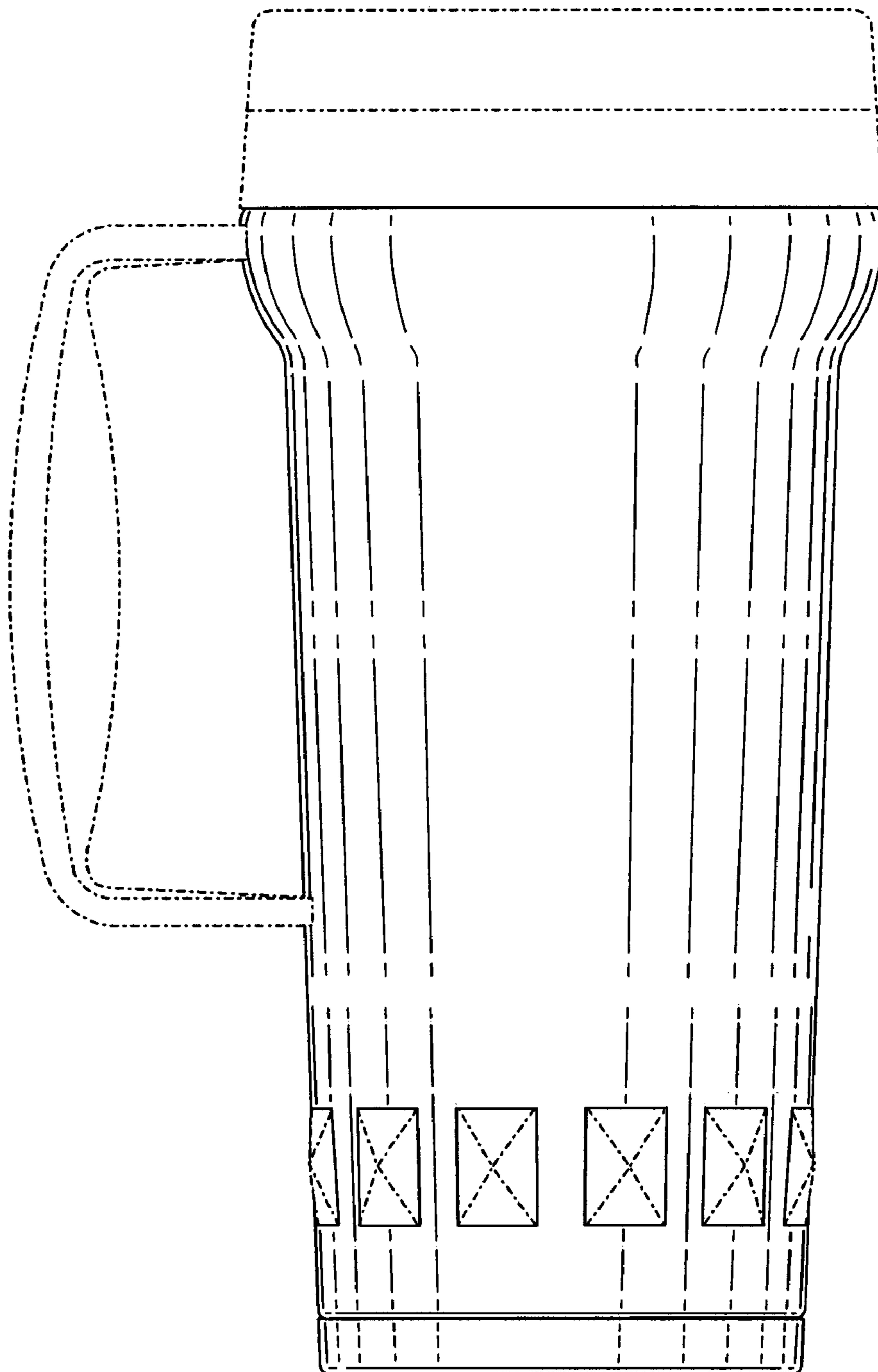


FIG. 4

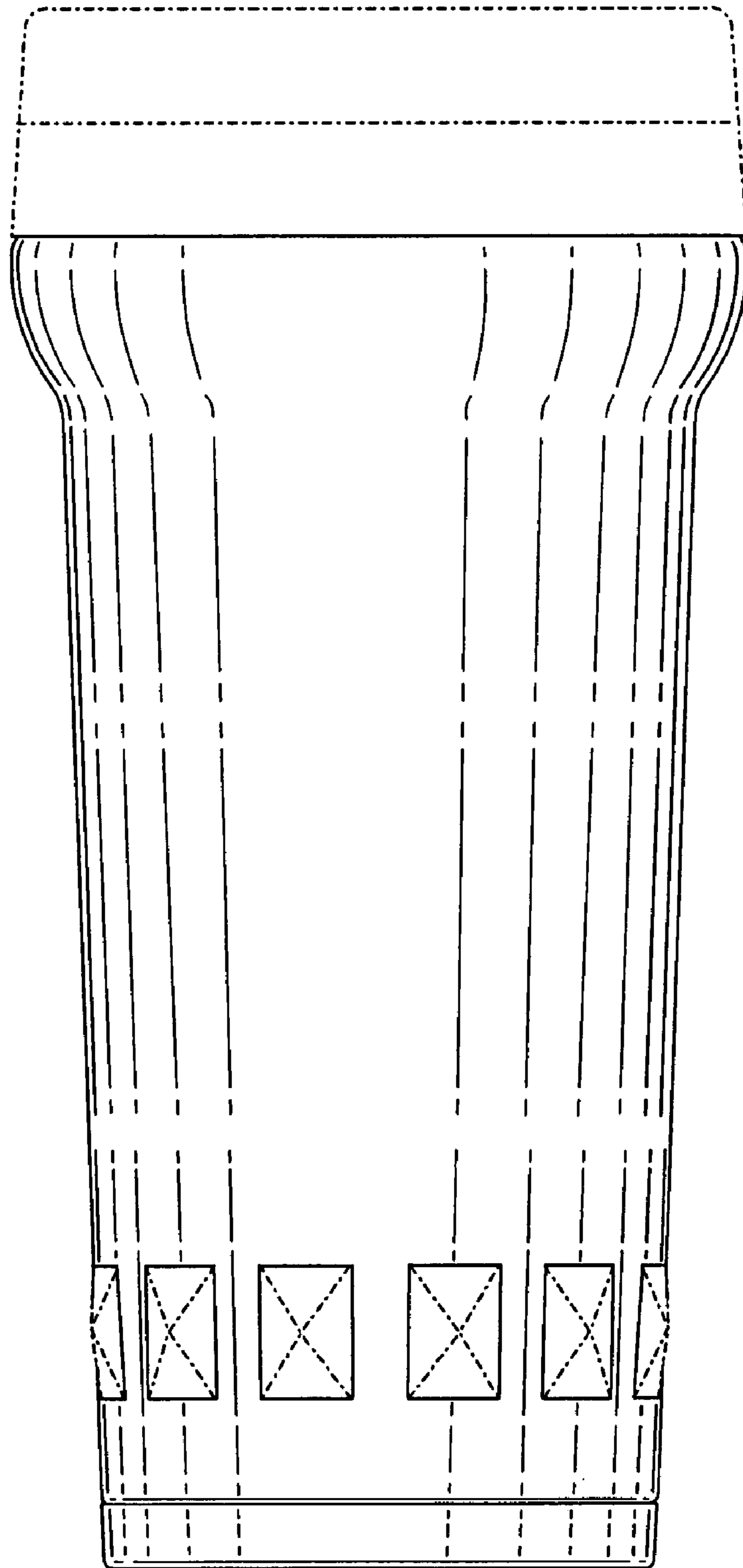


FIG. 5

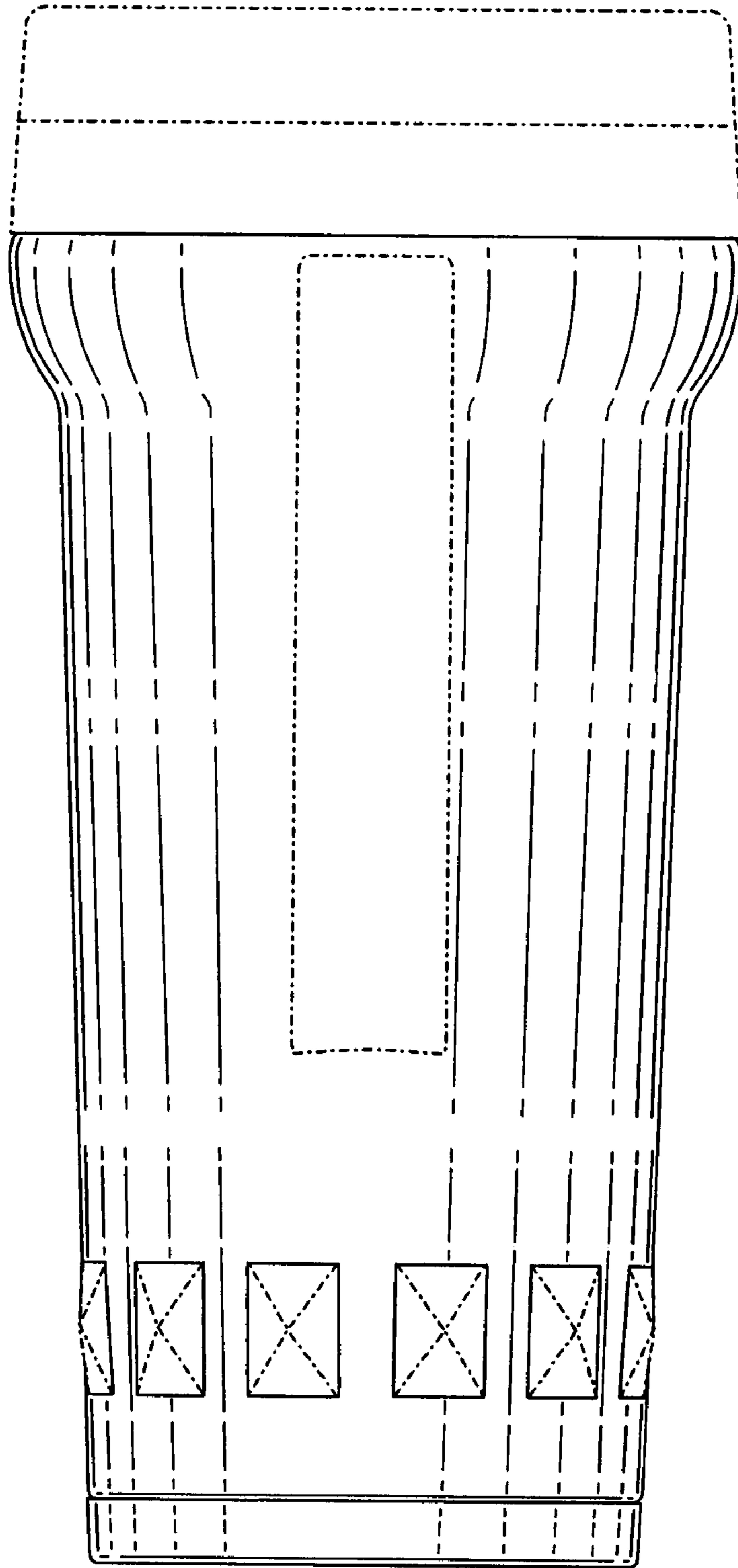


FIG. 6

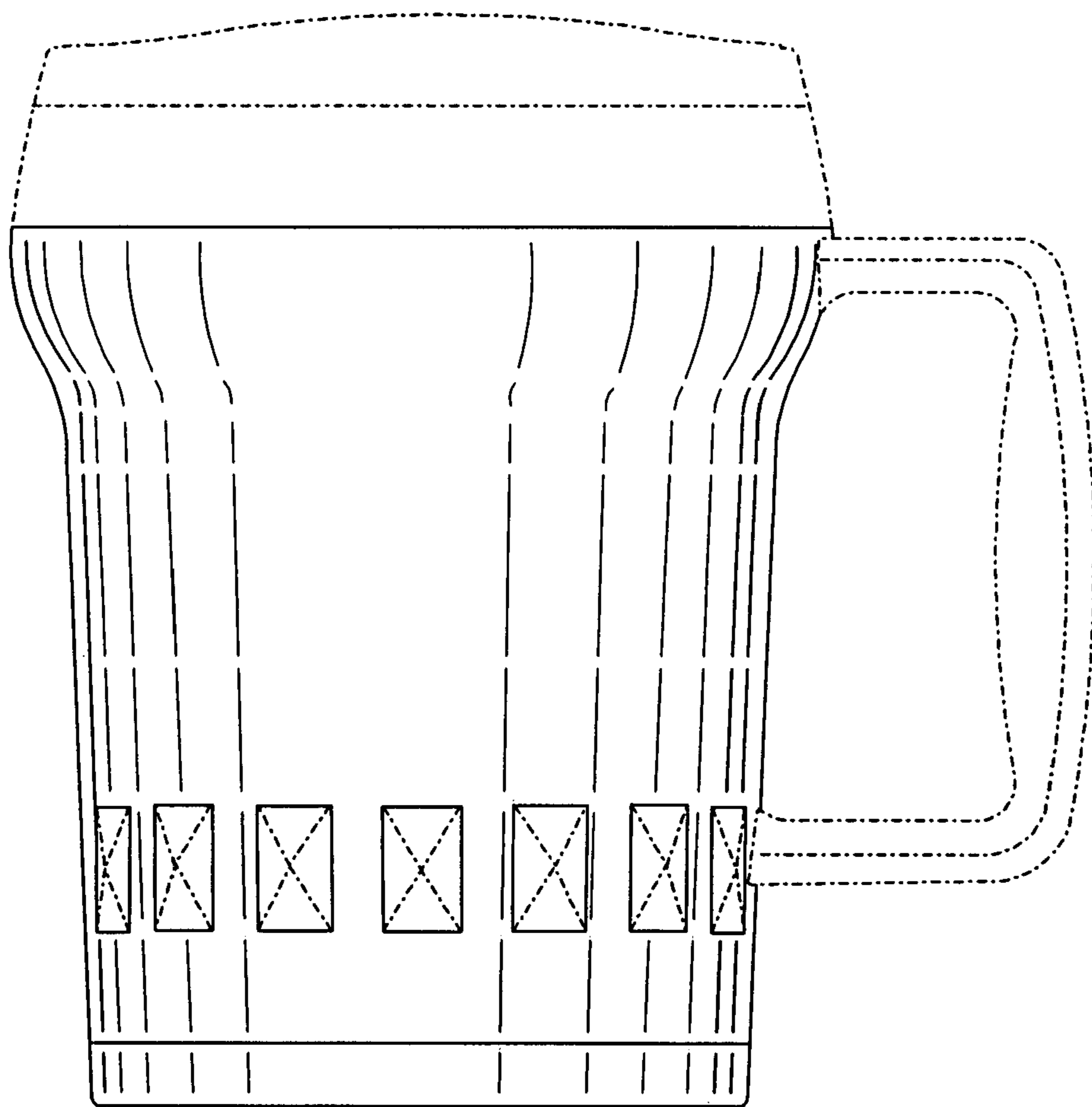


FIG. 7

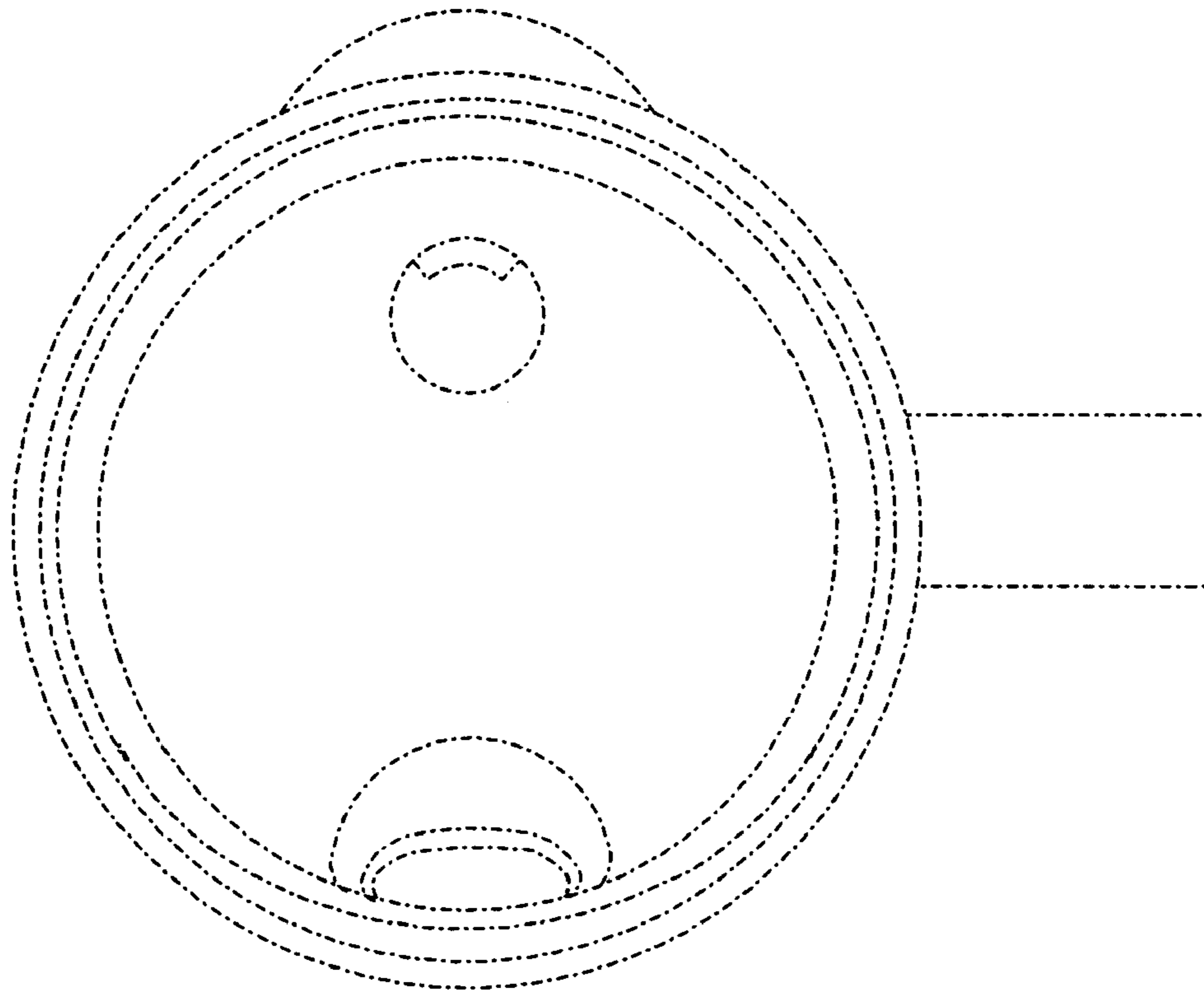


FIG. 8

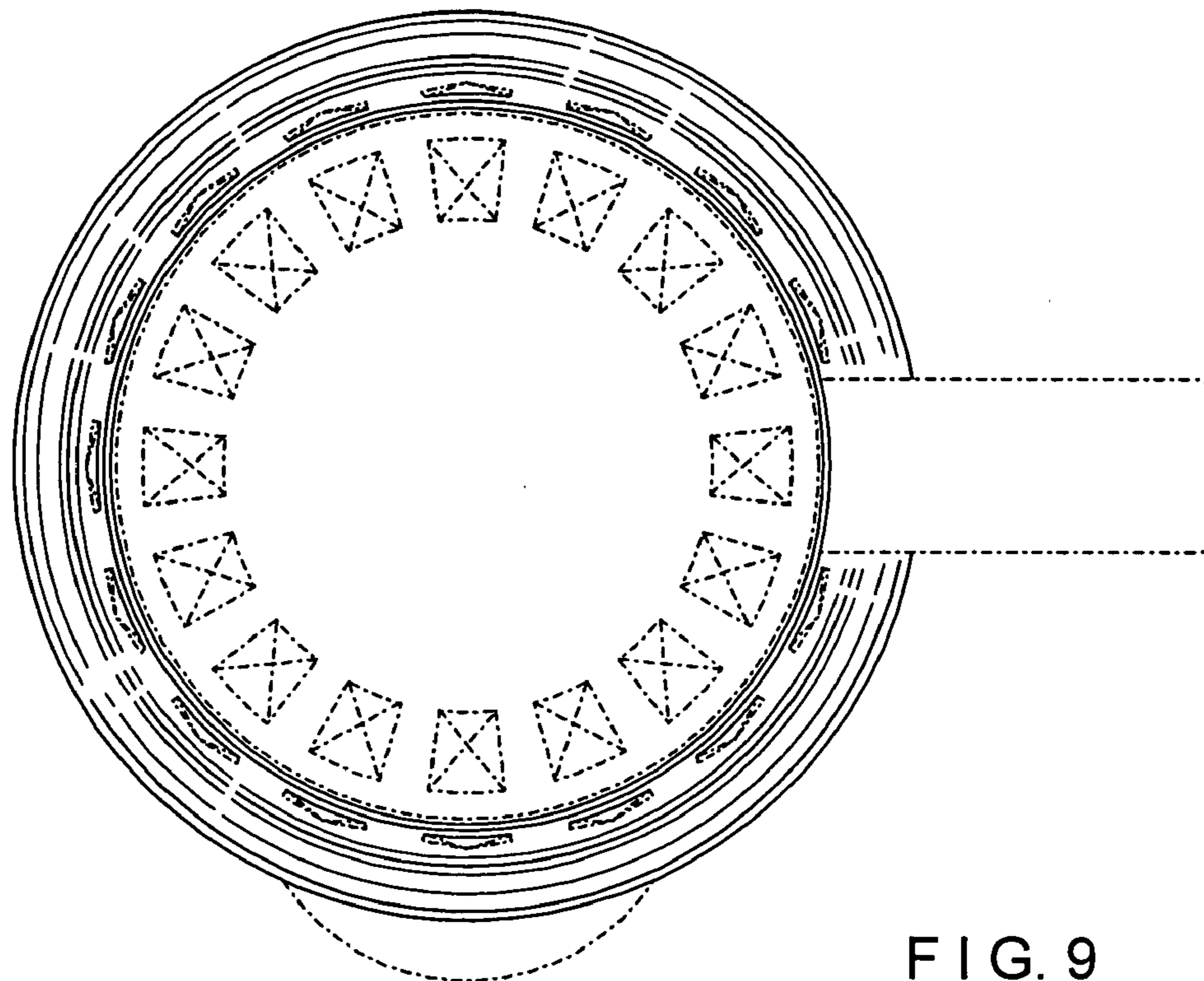


FIG. 9

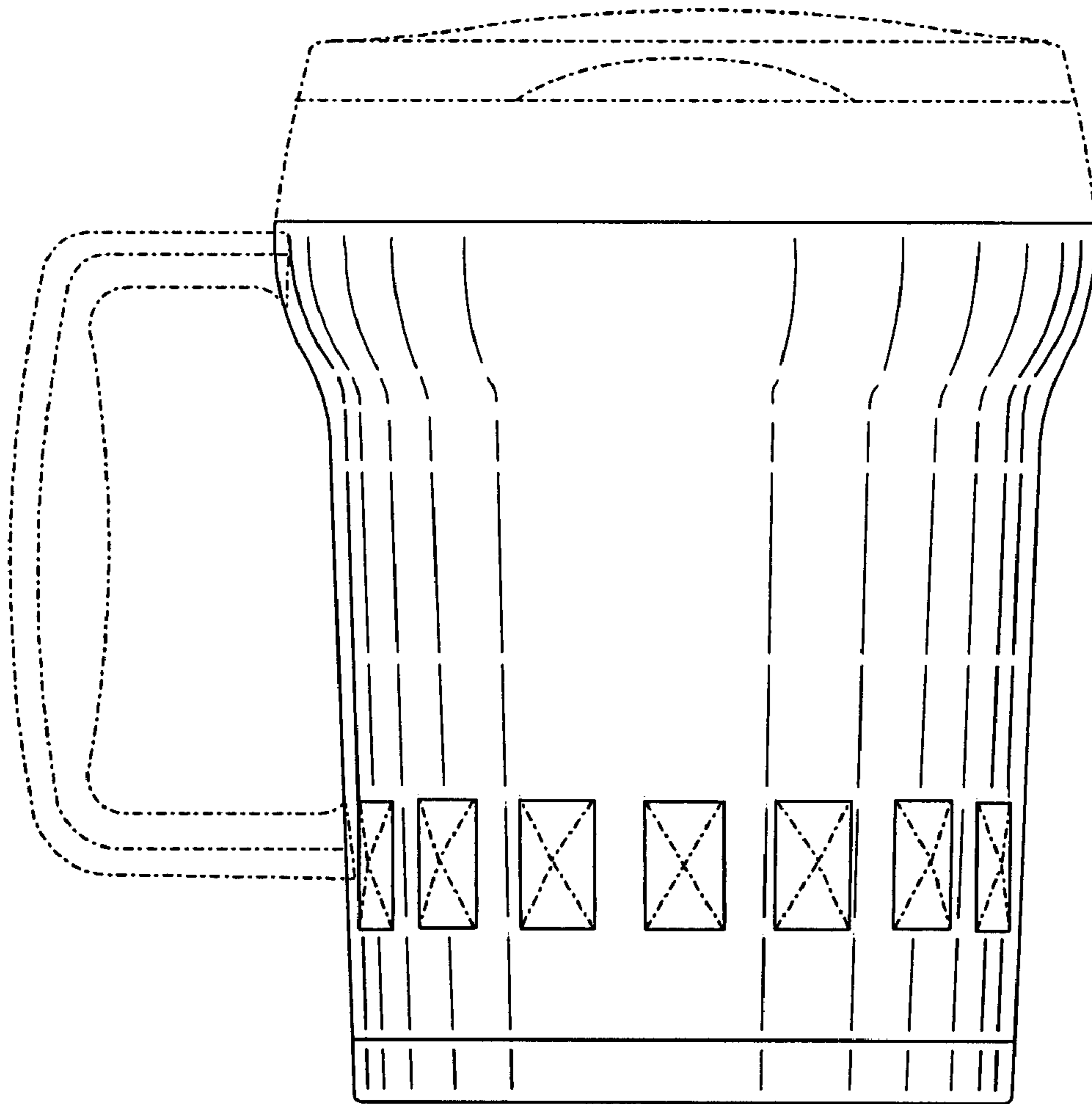


FIG. 10

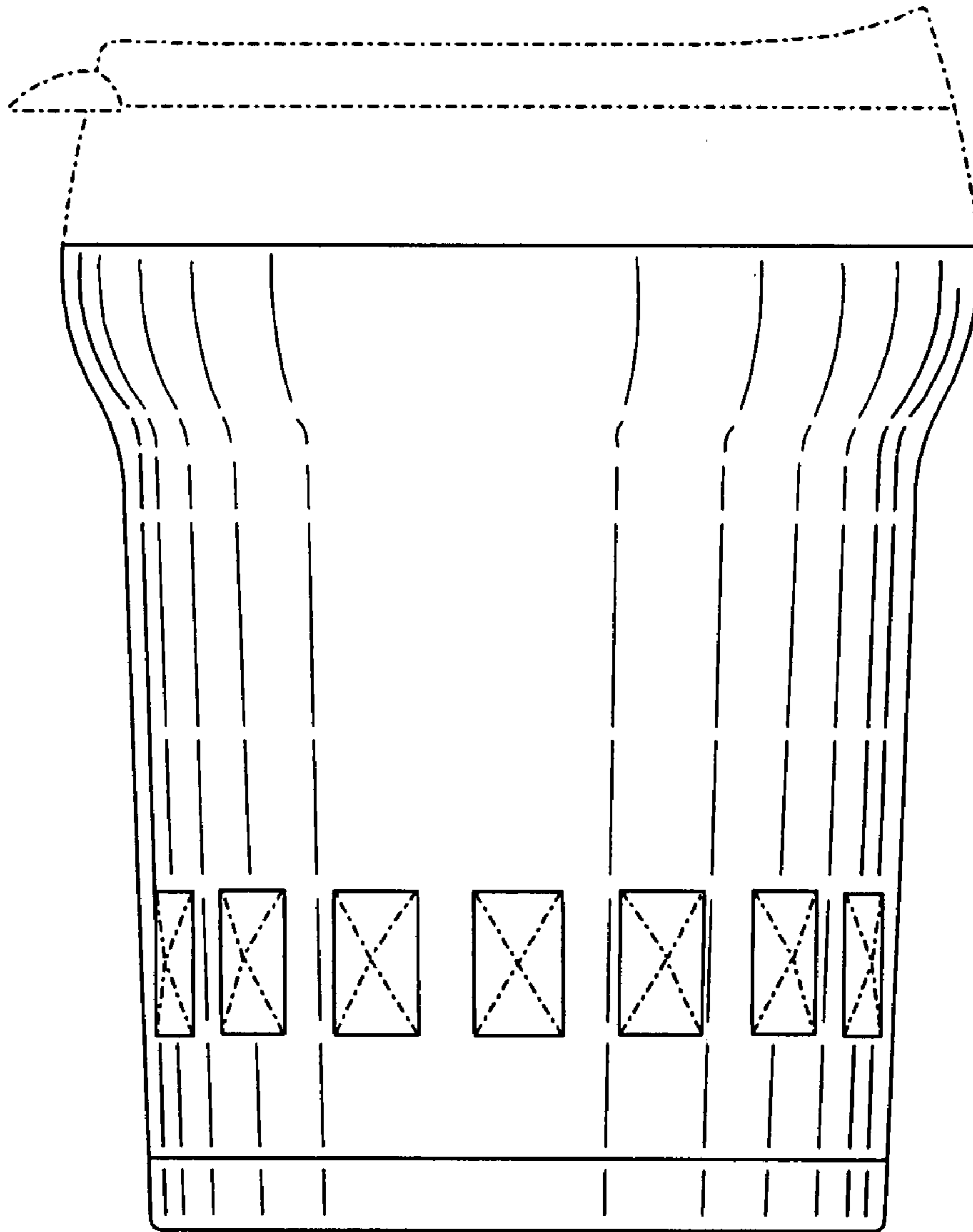


FIG. 11

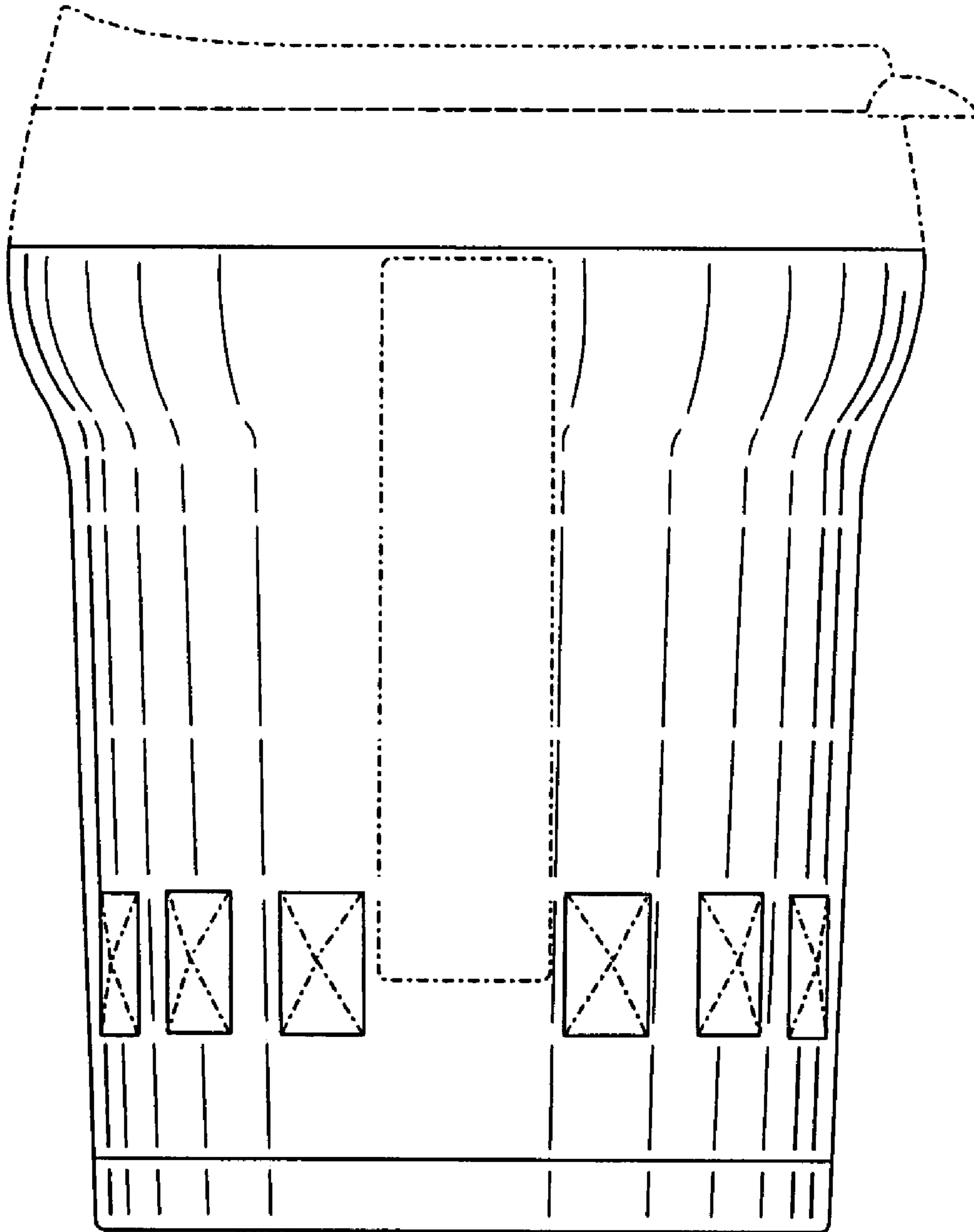


FIG. 12