



US00D550035S

(12) **United States Design Patent**  
**Tien**

(10) **Patent No.:** **US D550,035 S**

(45) **Date of Patent:** **\*\* Sep. 4, 2007**

(54) **MUG**

(76) **Inventor:** **Kuang-Hsia Tien**, 475 E. Duane Rd.,  
Monrovia, CA (US) 91016

(\*\*) **Term:** **14 Years**

(21) **Appl. No.:** **29/261,414**

(22) **Filed:** **Jun. 14, 2006**

(51) **LOC (8) Cl.** ..... **07-01**

(52) **U.S. Cl.** ..... **D7/510; D7/511; D7/533**

(58) **Field of Classification Search** ..... **D7/510,**  
**D7/511, 536, 533; 219/689; 220/715, 710.5;**  
**215/398; 99/317**

See application file for complete search history.

(56) **References Cited**

**U.S. PATENT DOCUMENTS**

D202,643 S *	10/1965	Hoyt	.....	D7/536
D243,911 S *	4/1977	Thorud	.....	D7/536
D307,089 S *	4/1990	Lage	.....	D7/536
D388,281 S *	12/1997	Trombley	.....	D7/515
D394,187 S *	5/1998	Orrico et al.	.....	D7/533
D406,985 S *	3/1999	Trombly	.....	D7/536
5,884,551 A *	3/1999	Orrico et al.	.....	99/317
D445,001 S *	7/2001	Lin	.....	D7/510
D456,212 S *	4/2002	Bridges	.....	D7/510
D477,968 S *	8/2003	Bin	.....	D7/510
D480,603 S *	10/2003	Joss et al.	.....	D7/535

6,755,120 B1 *	6/2004	Lin	.....	99/323.3
D493,332 S *	7/2004	Bin	.....	D7/510
D497,080 S *	10/2004	Greenspon	.....	D7/510
D497,528 S *	10/2004	Harris	.....	D8/34
D511,072 S	11/2005	Trombly		
6,997,104 B1 *	2/2006	Lin	.....	99/323.3
D527,222 S *	8/2006	Liu	.....	D7/510
7,217,908 B2 *	5/2007	Orrico et al.	.....	219/689

\* cited by examiner

*Primary Examiner*—M. N. Pandozzi

(74) *Attorney, Agent, or Firm*—Clement Cheng

(57) **CLAIM**

The ornamental design for a mug, as shown and described.

**DESCRIPTION**

FIG. 1 is a top, front perspective view of a mug showing my new design;

FIG. 2 is a front view of the mug;

FIG. 3 is a rear view of the mug;

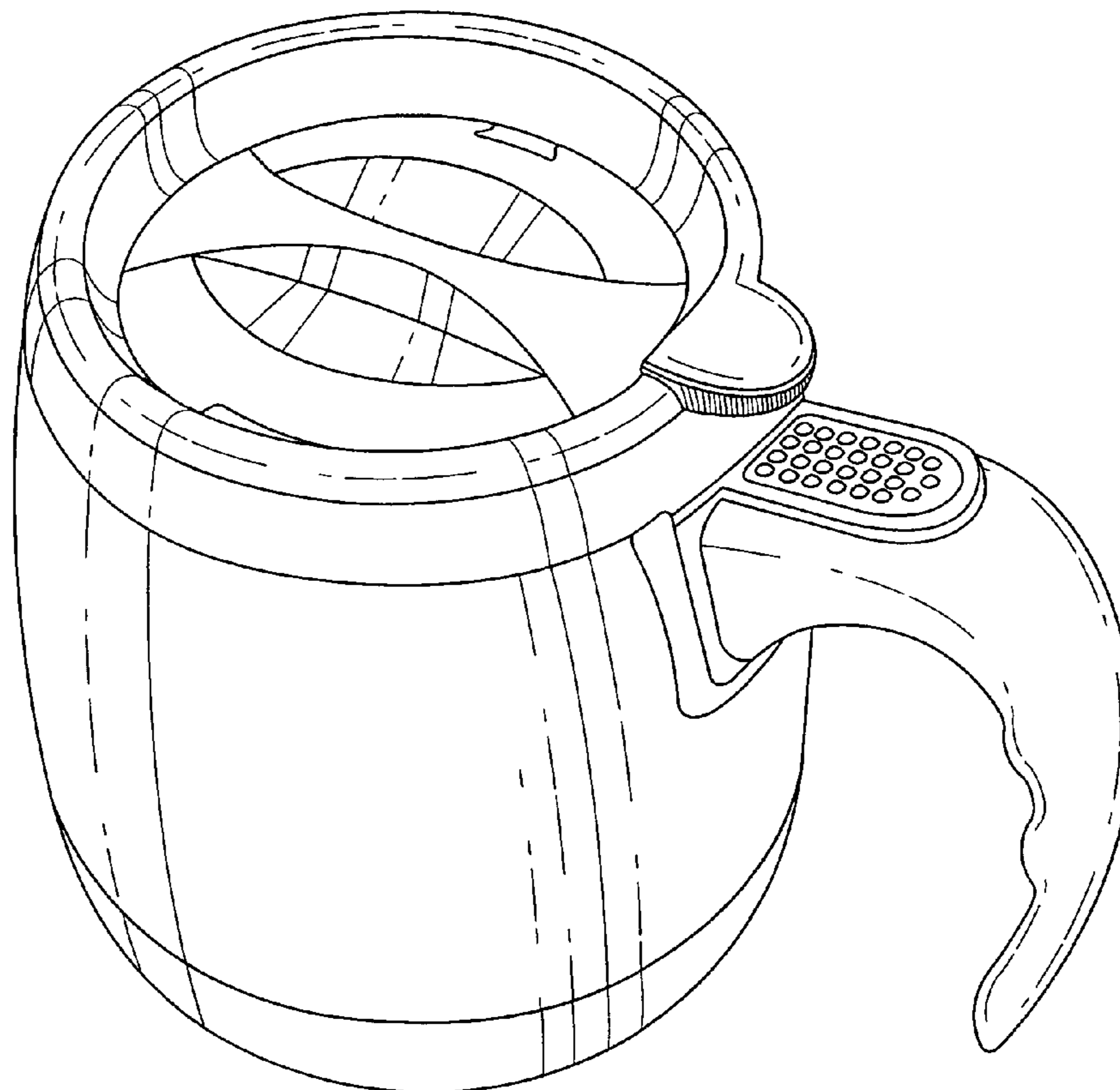
FIG. 4 is a left side view;

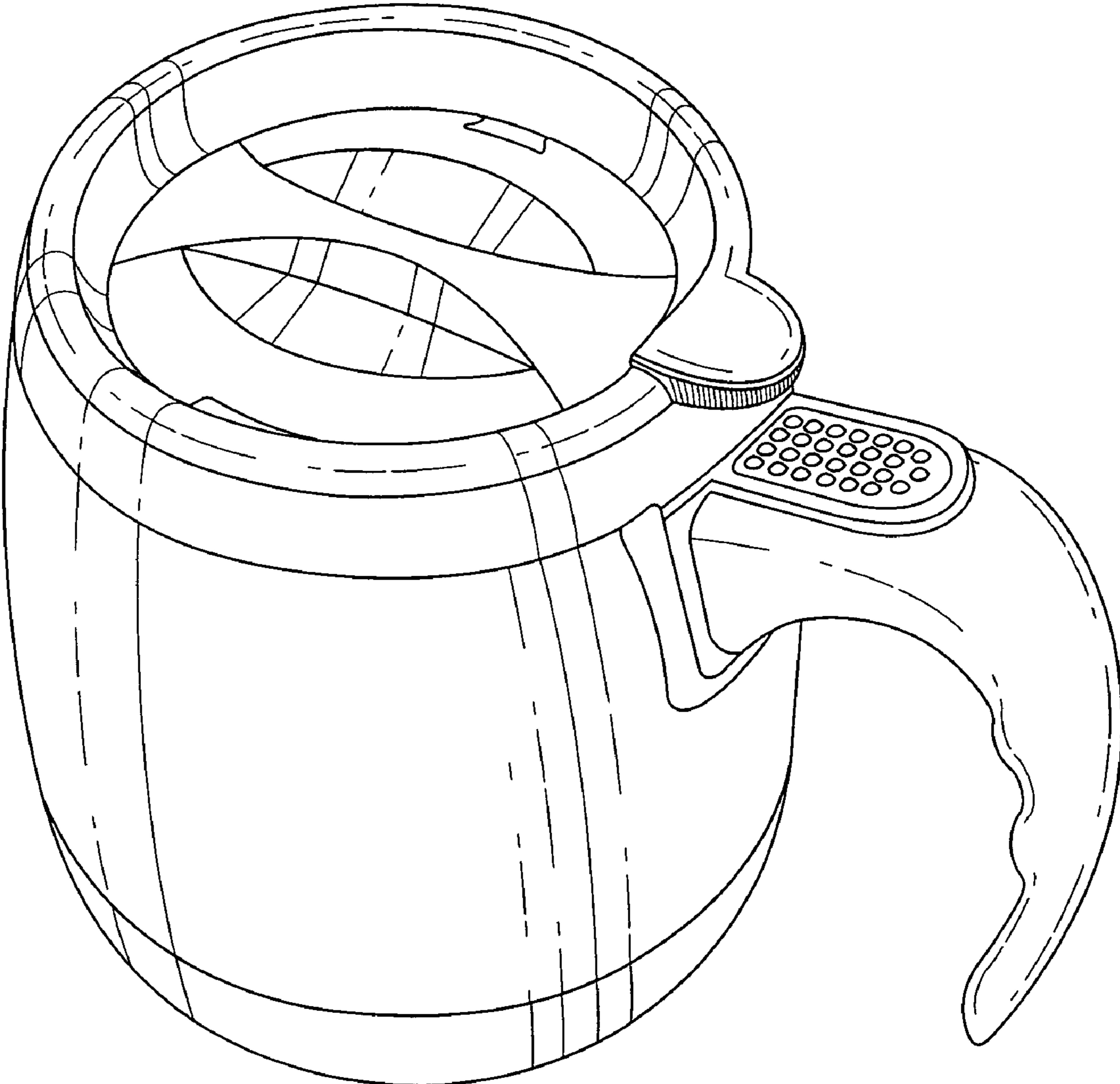
FIG. 5 is a right side view;

FIG. 6 is a top view; and,

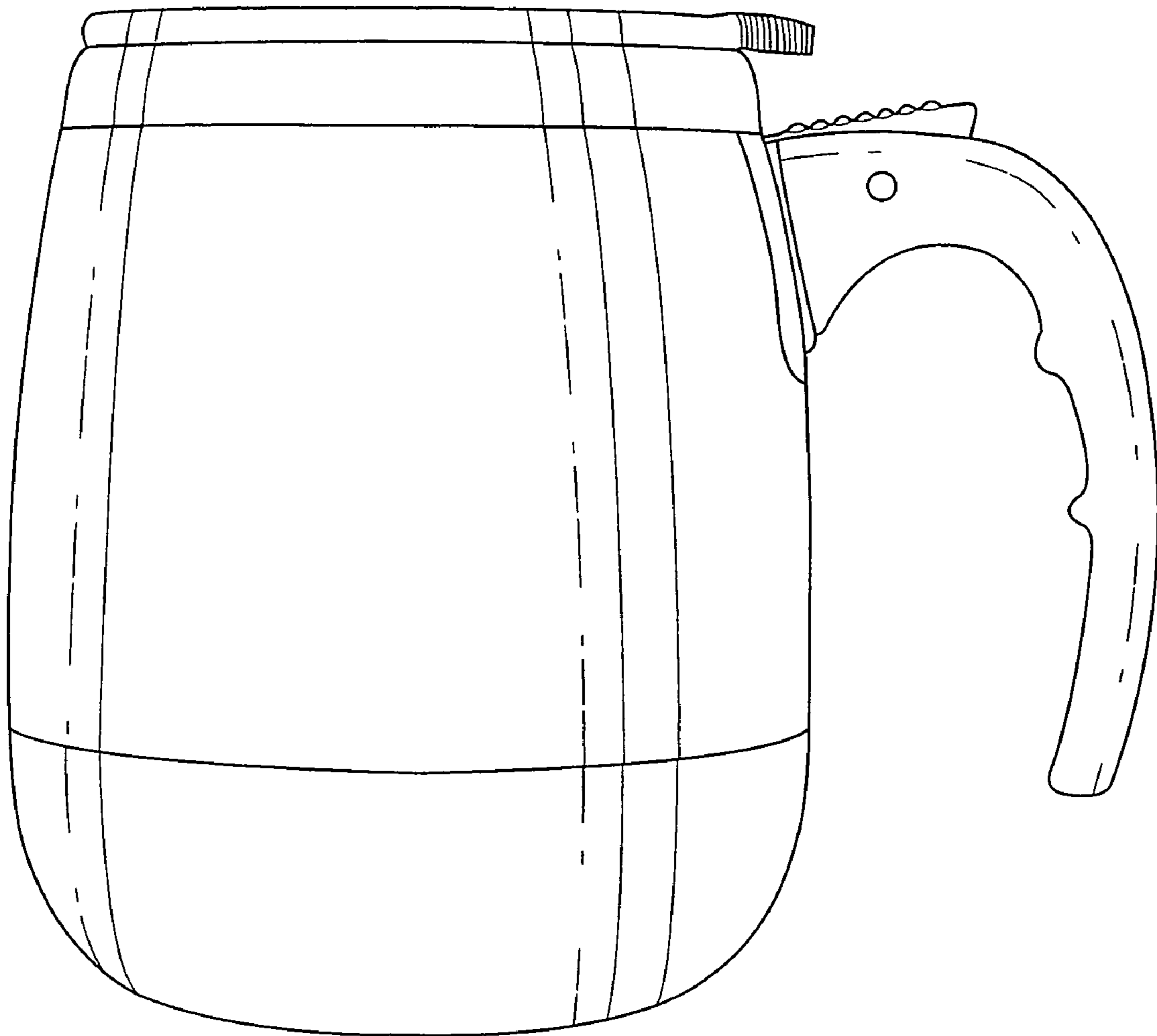
FIG. 7 is a bottom view.

**1 Claim, 6 Drawing Sheets**

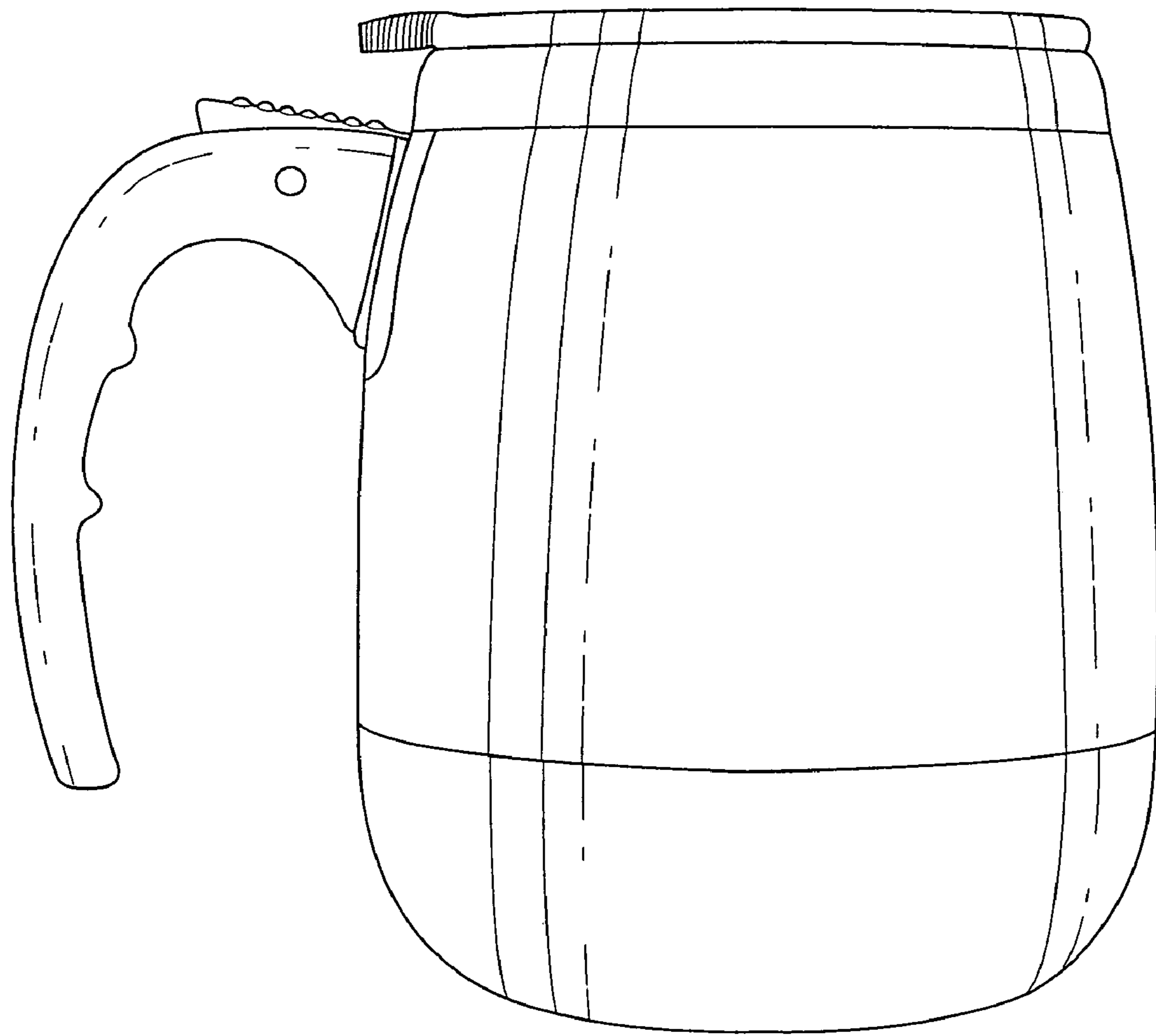




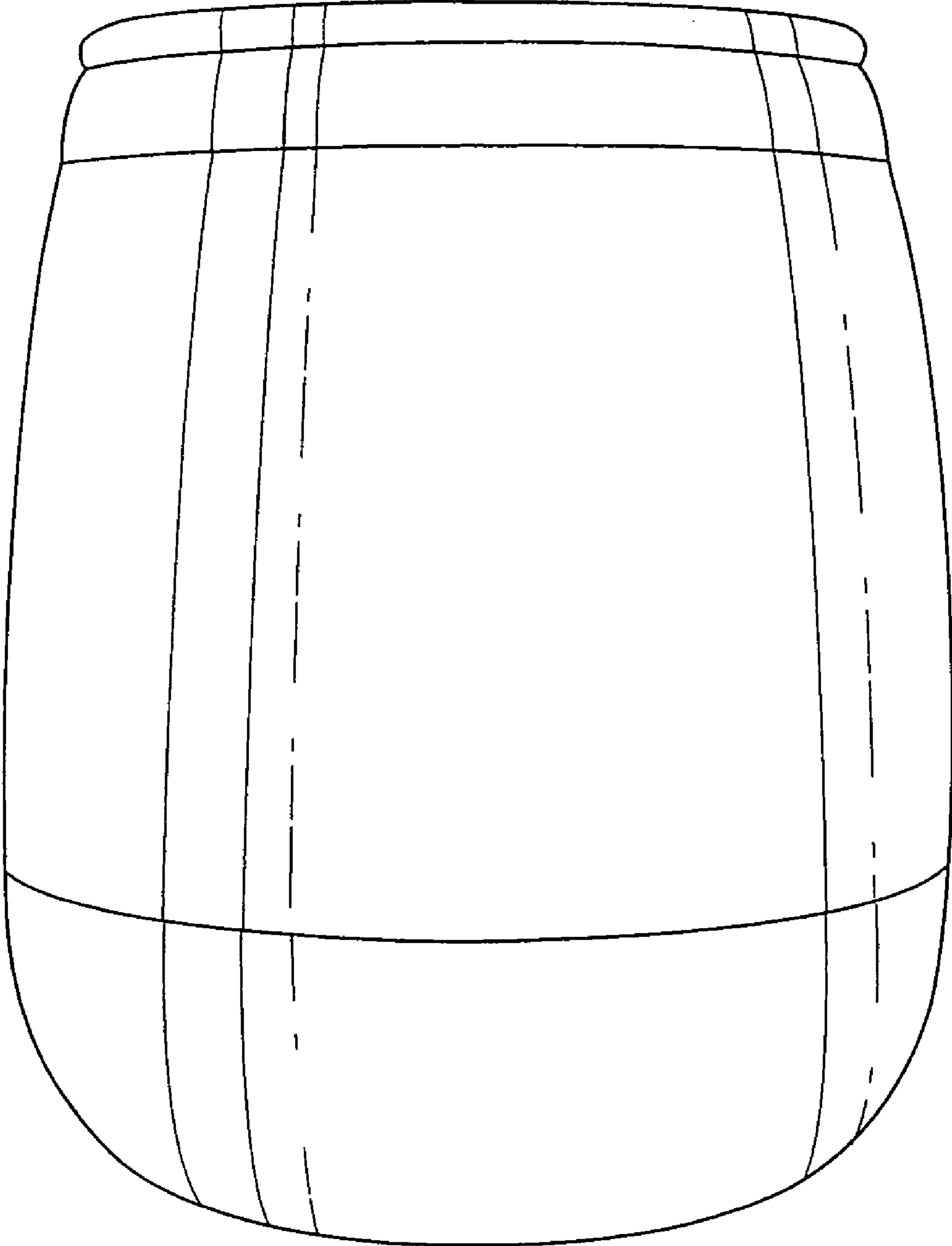
**Fig.1**



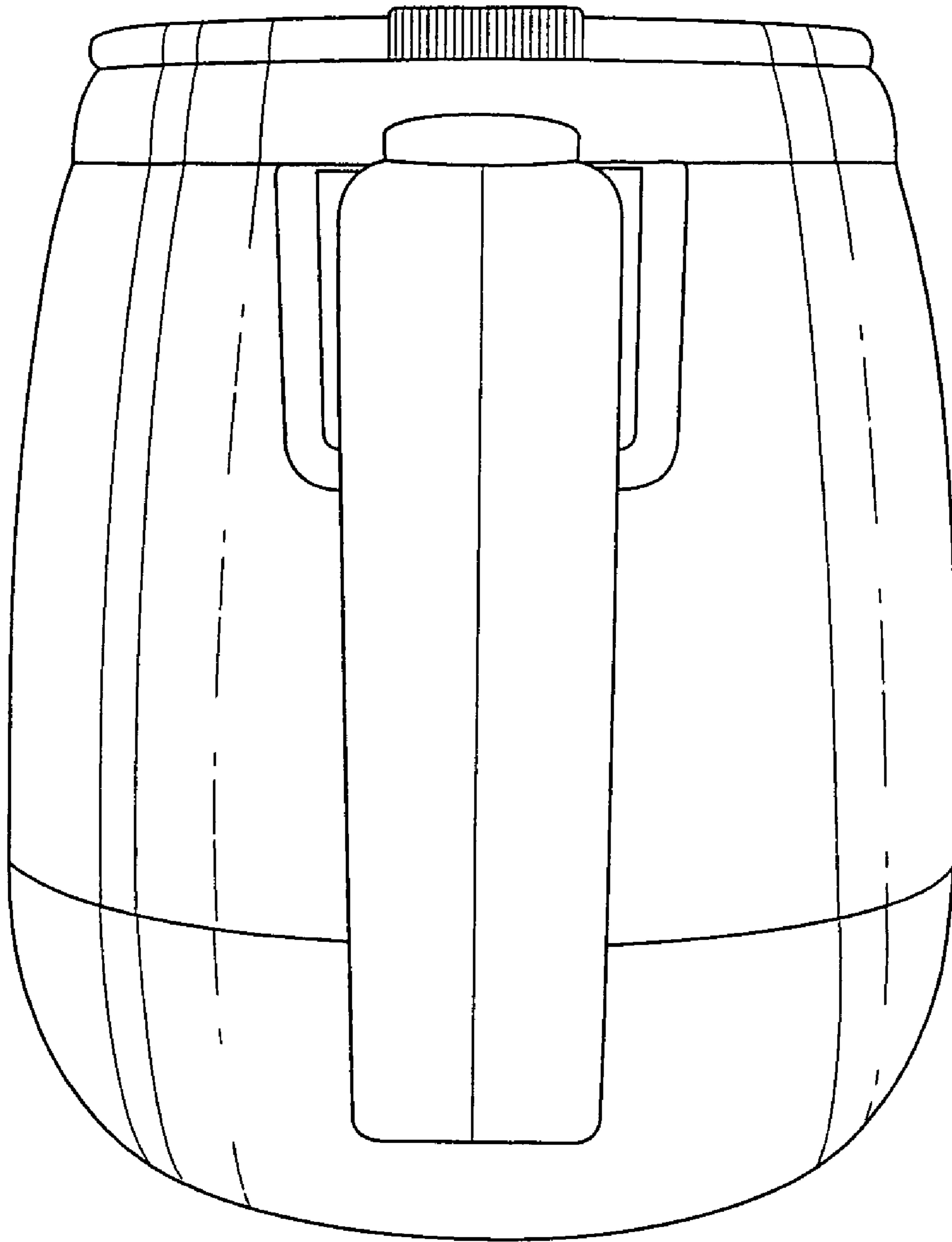
**Fig. 2**



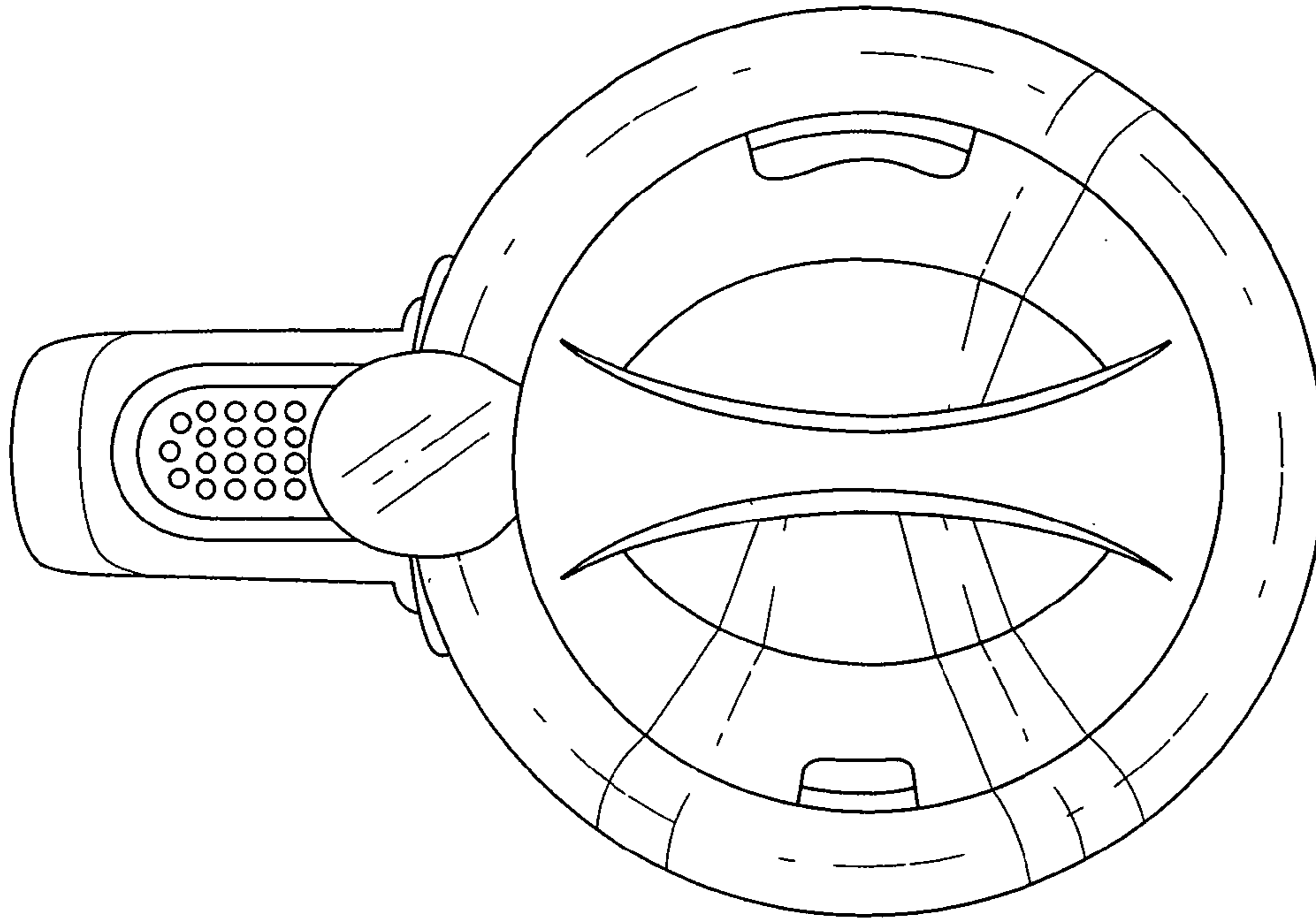
**Fig.3**



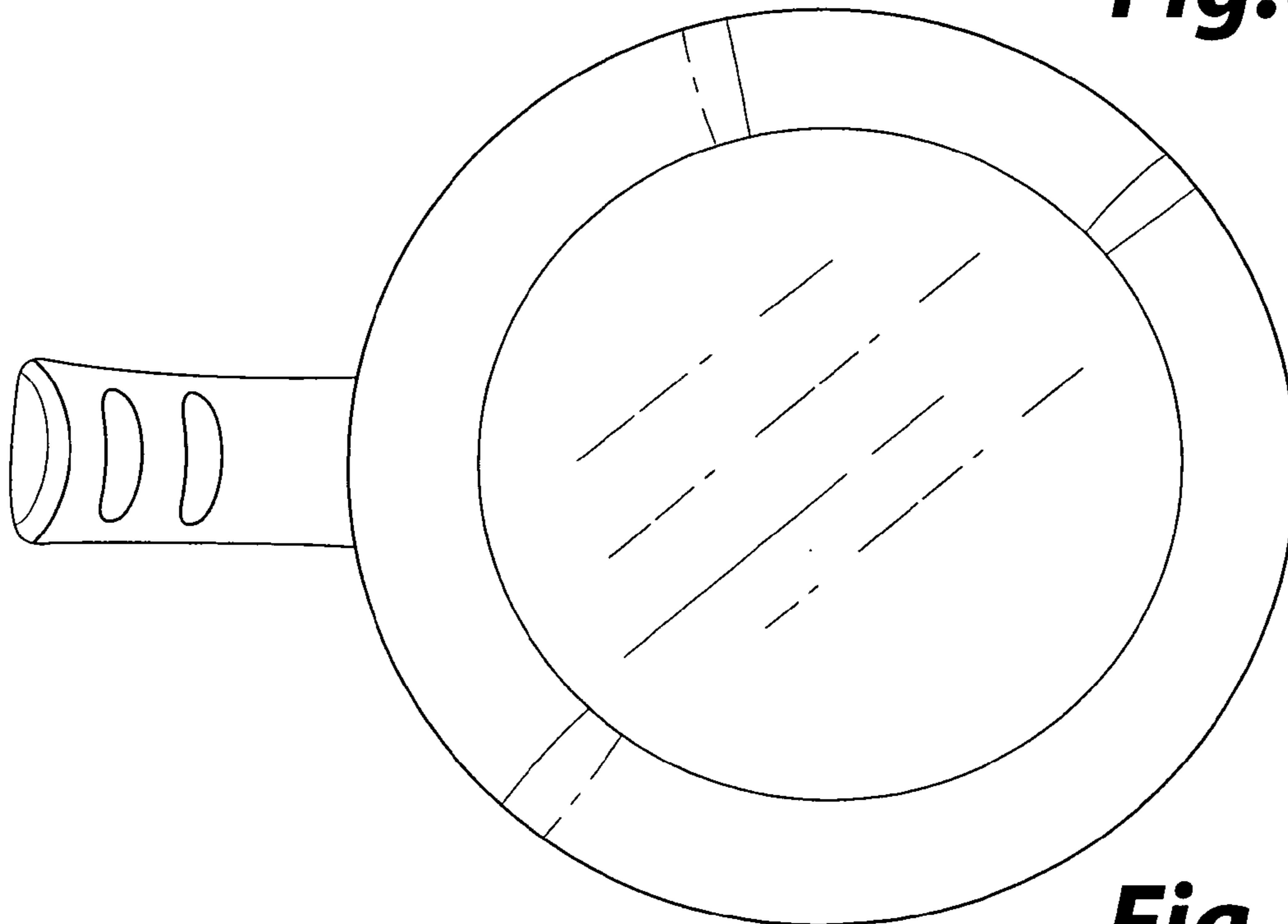
**Fig.4**



***Fig.5***



**Fig. 6**



**Fig. 7**