



US00D550032S

(12) **United States Design Patent**
Tien

(10) **Patent No.:** **US D550,032 S**

(45) **Date of Patent:** **** Sep. 4, 2007**

(54) **MUG**

(75) Inventor: **Kuang-Hsia Tien**, Pasadena, CA (US)

(73) Assignee: **Sweda Company, LLC**, Monrovia, CA (US)

(**) Term: **14 Years**

(21) Appl. No.: **29/231,999**

(22) Filed: **Jun. 13, 2005**

(51) **LOC (8) Cl.** **07-01**

(52) **U.S. Cl.** **D7/509; D7/533; D7/510**

(58) **Field of Classification Search** D7/509-511,
D7/536, 533, 529, 530, 532, 531, 523, 396.6,
D7/535; 220/713, 715, 737, 739, 711, 703,
220/592.16, 592.17; 366/314; D9/537,
D9/530, 527; 215/387, DIG. 7

See application file for complete search history.

(56) **References Cited**

U.S. PATENT DOCUMENTS

D454,756 S	*	3/2002	Janky et al.	D7/510
D467,124 S	*	12/2002	Janky	D7/533
D469,309 S	*	1/2003	Janky	D7/510
D477,185 S	*	7/2003	Janky	D7/511
D479,949 S	*	9/2003	Janky	D7/511
D481,591 S	*	11/2003	Lin	D7/533
D486,996 S	*	2/2004	Karp	D7/510
D494,011 S	*	8/2004	Janky et al.	D7/533

D507,151 S	*	7/2005	Schuler et al.	D7/509
D507,721 S	*	7/2005	Schuler et al.	D7/509
D510,234 S	*	10/2005	Schuler et al.	D7/509
D514,885 S	*	2/2006	Schuler et al.	D7/509
D519,320 S	*	4/2006	Festa	D7/509
D519,782 S	*	5/2006	Schuler et al.	D7/509
D529,338 S	*	10/2006	Poulson et al.	D7/510
D529,761 S	*	10/2006	Trombly	D7/509
D538,597 S	*	3/2007	Kim	D7/510

* cited by examiner

Primary Examiner—M. N. Pandozzi

(74) *Attorney, Agent, or Firm*—Clement Cheng, Esq.

(57) **CLAIM**

The ornamental design for a mug, as shown and described.

DESCRIPTION

FIG. 1 is a perspective view.

FIG. 2 is a side view.

FIG. 3 is another side view.

FIG. 4 is a top plan view showing the lid in closed position;

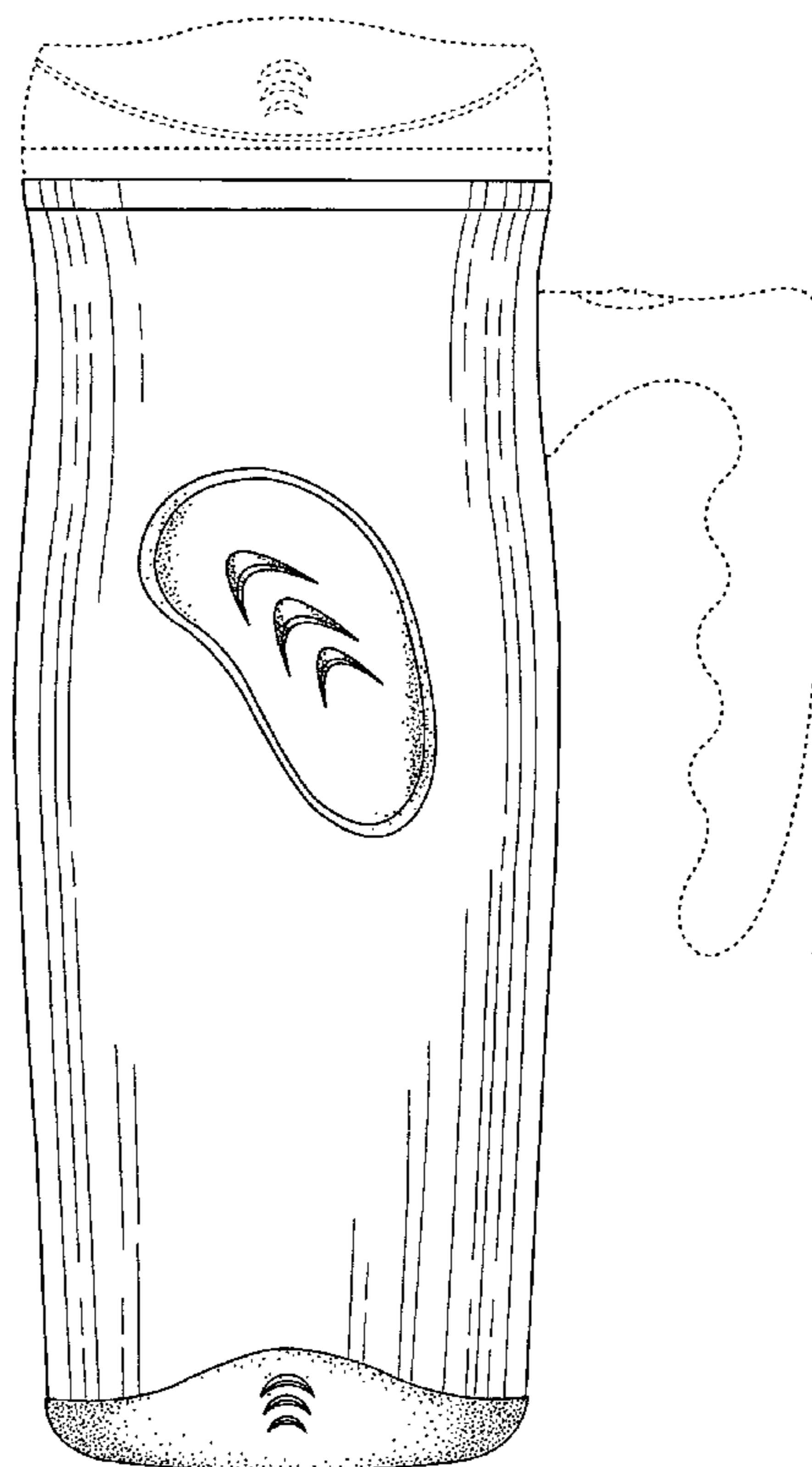
FIG. 5 is a top plan view showing the lid in open position;

FIG. 6 is a bottom view.

FIG. 7 is a rear view; and,

FIG. 8 is a front view.

1 Claim, 6 Drawing Sheets



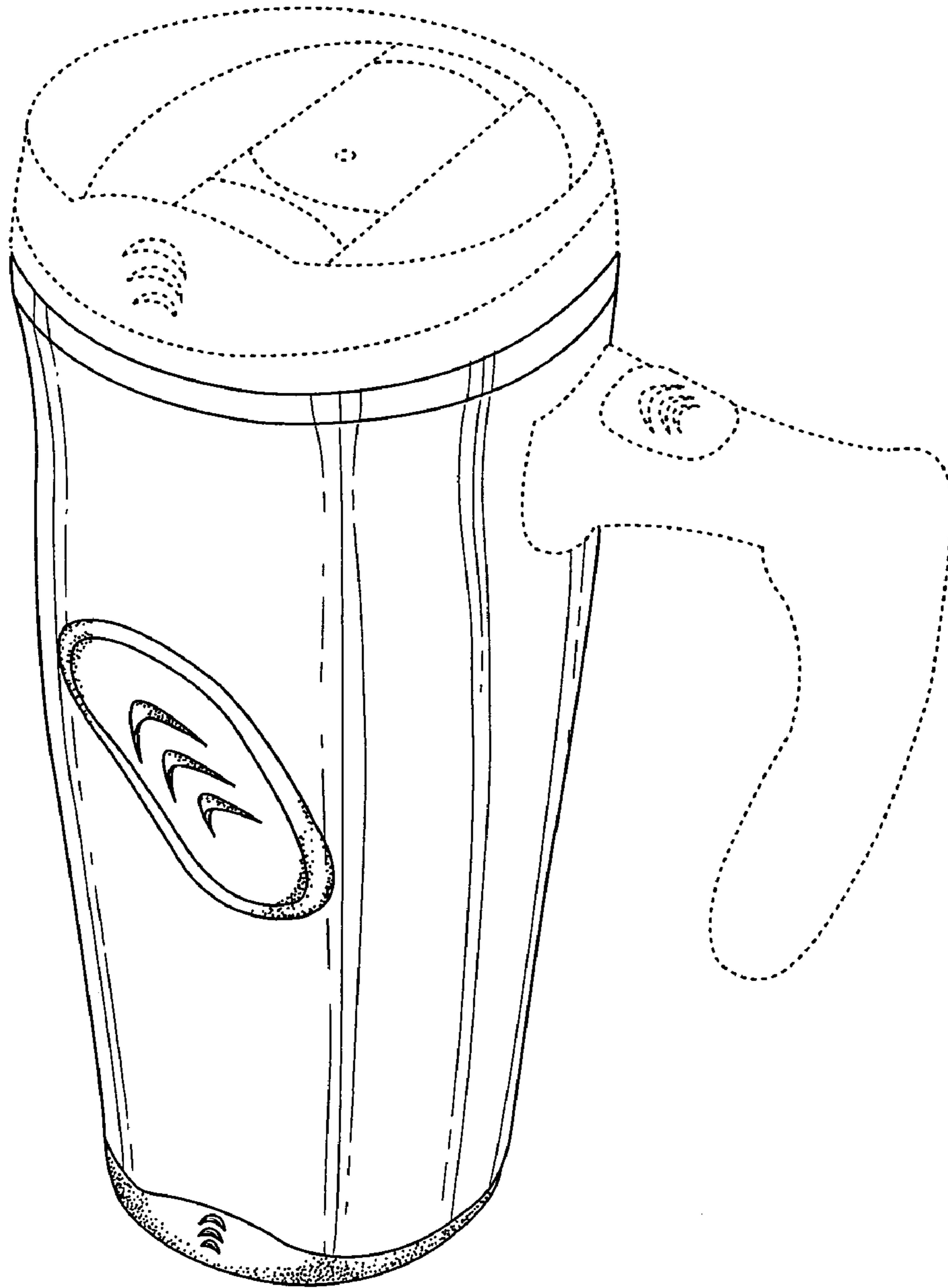


FIG. 1

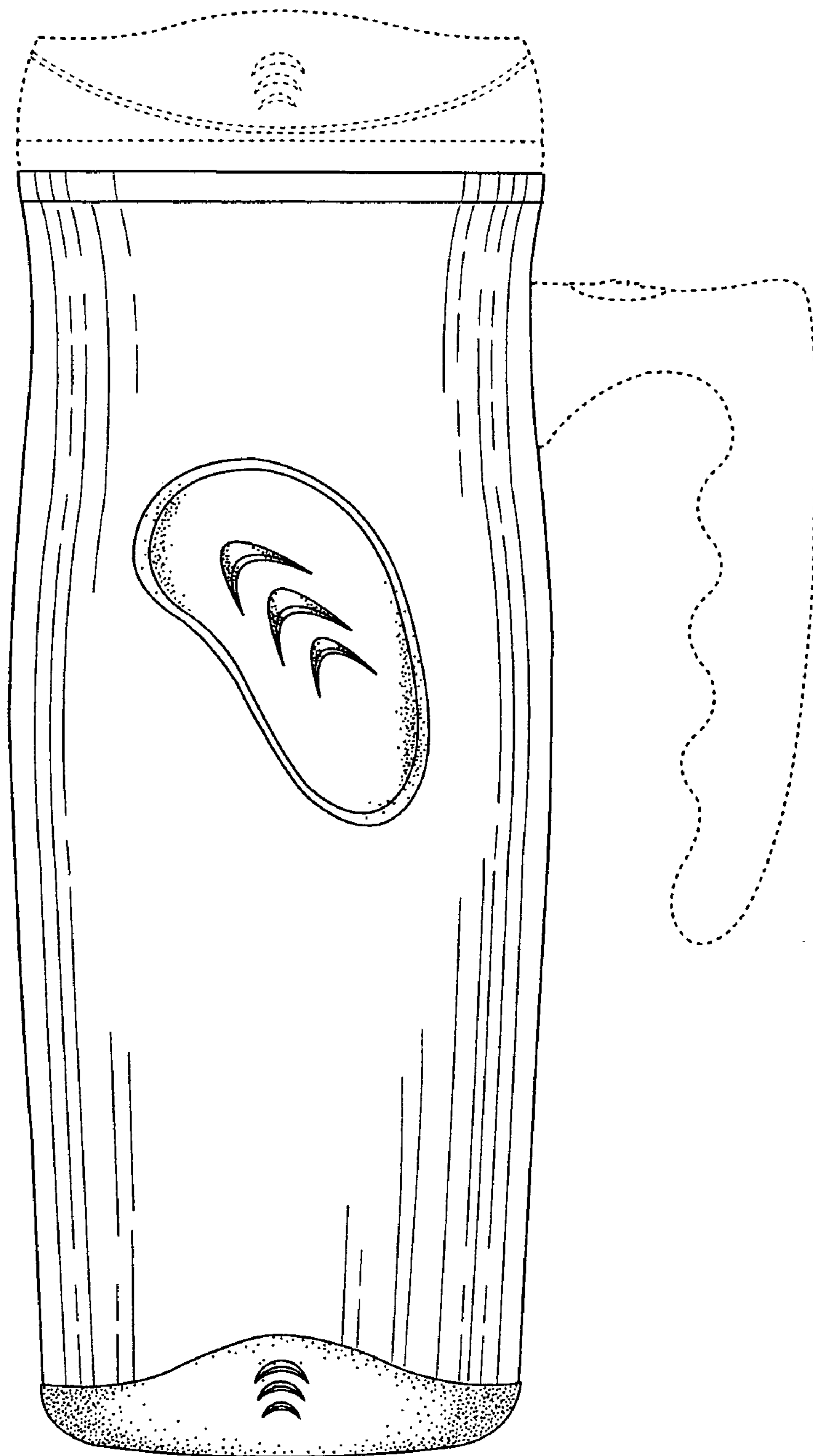


FIG. 2

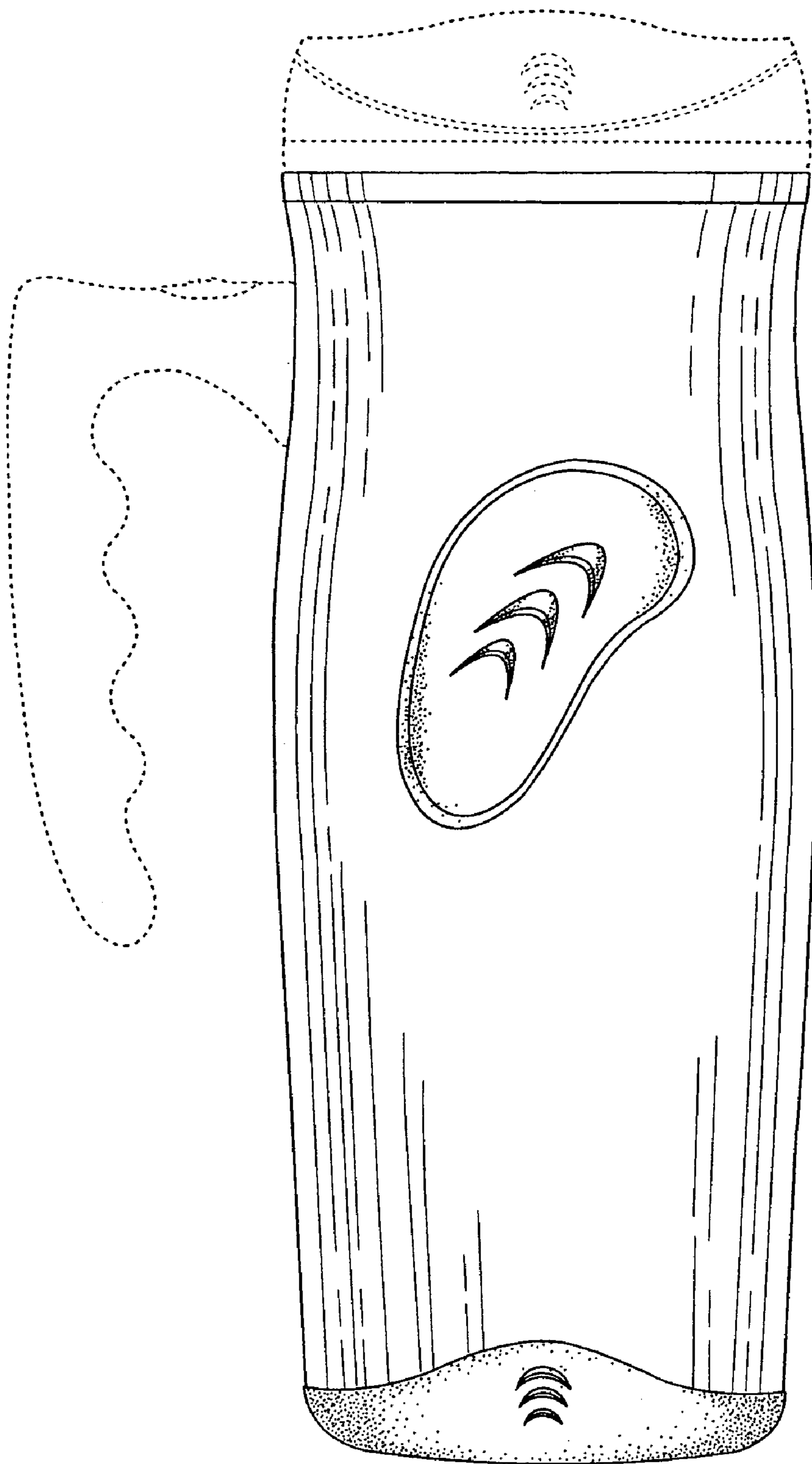


FIG. 3

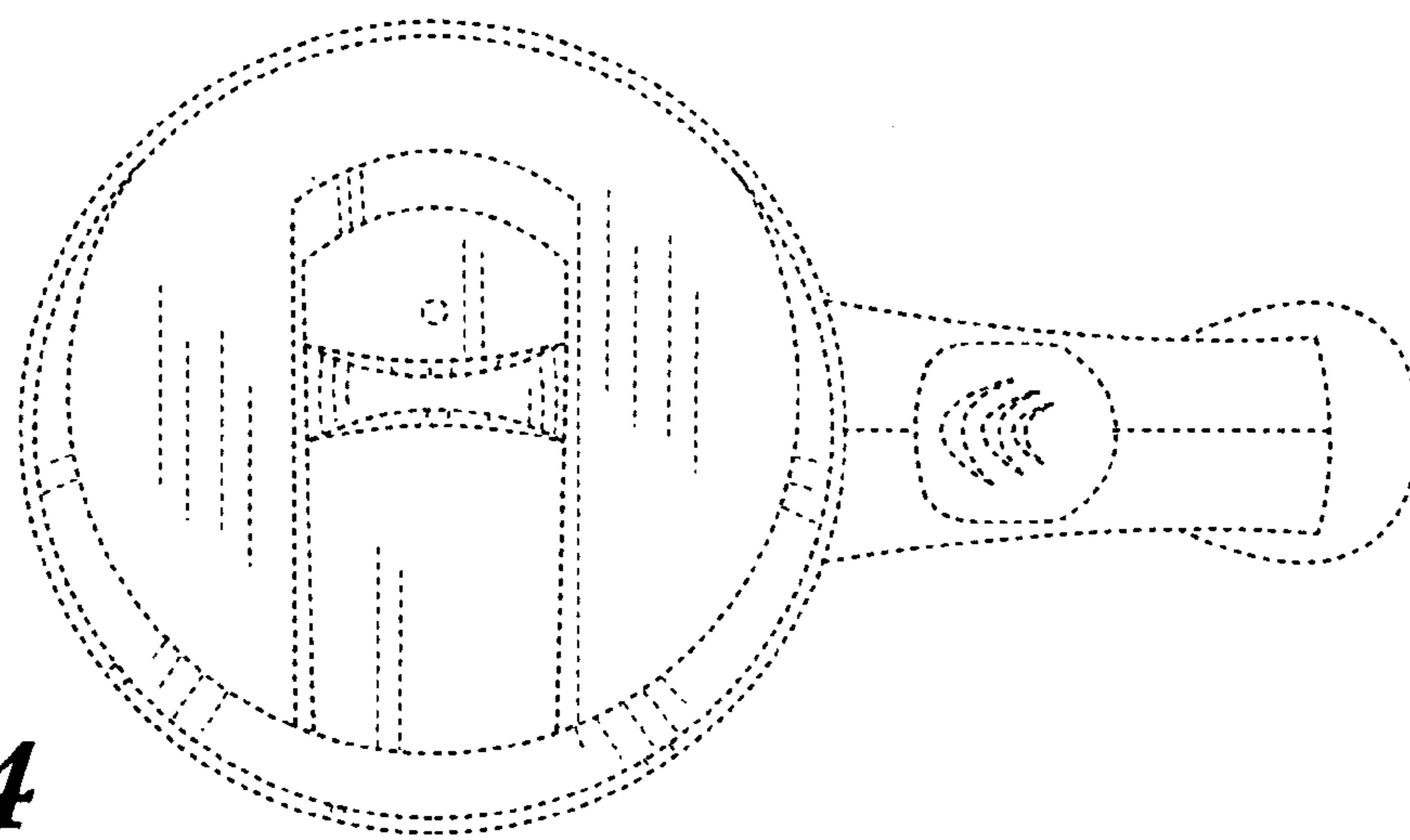


Fig. 4

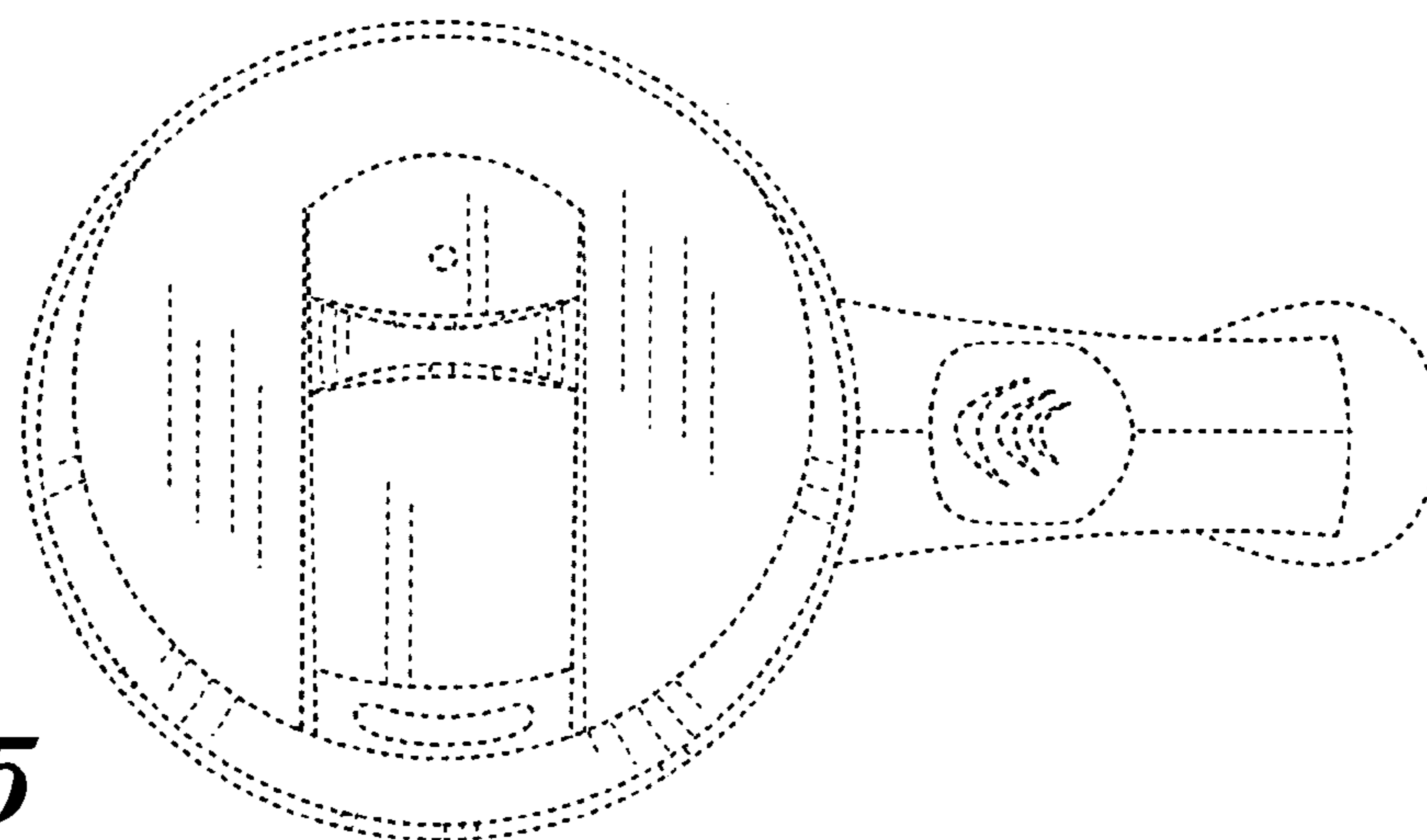


Fig. 5

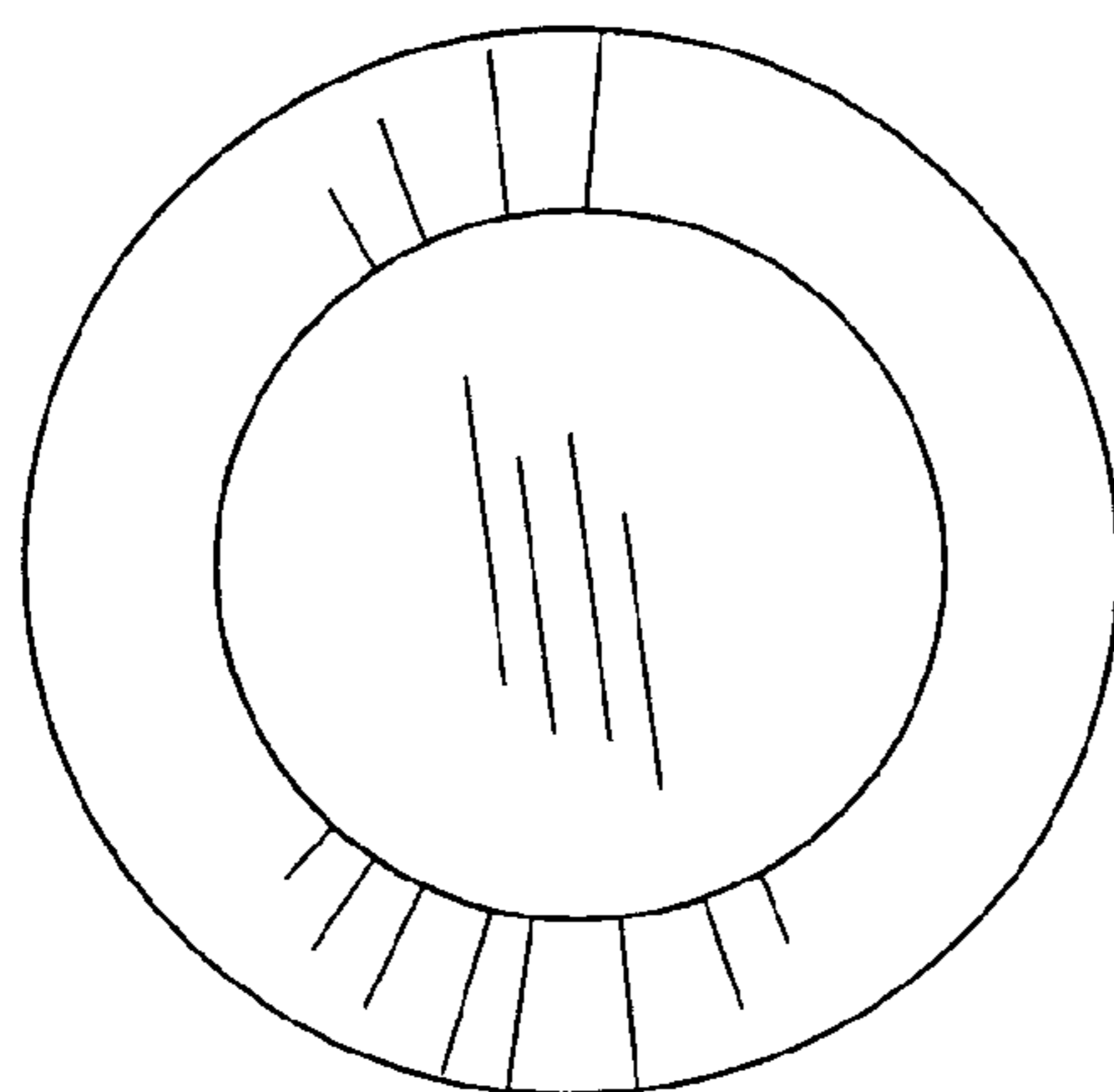


Fig. 6

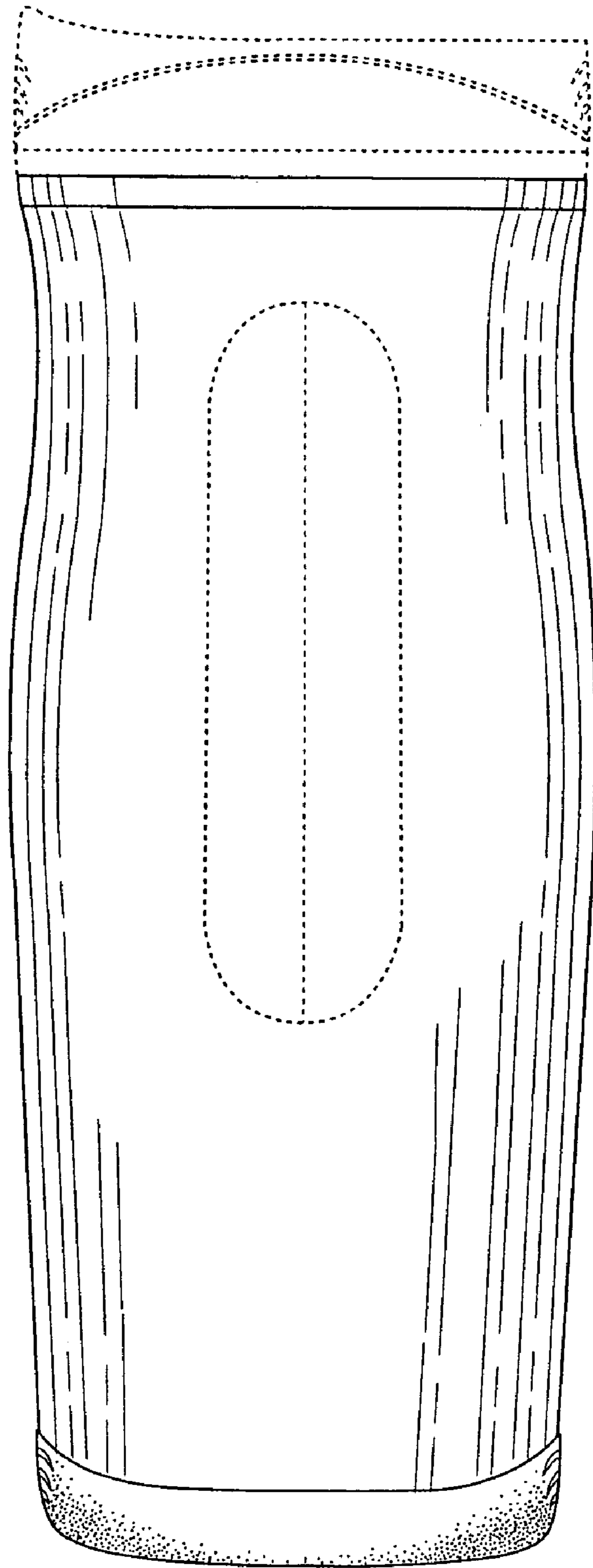


FIG. 7

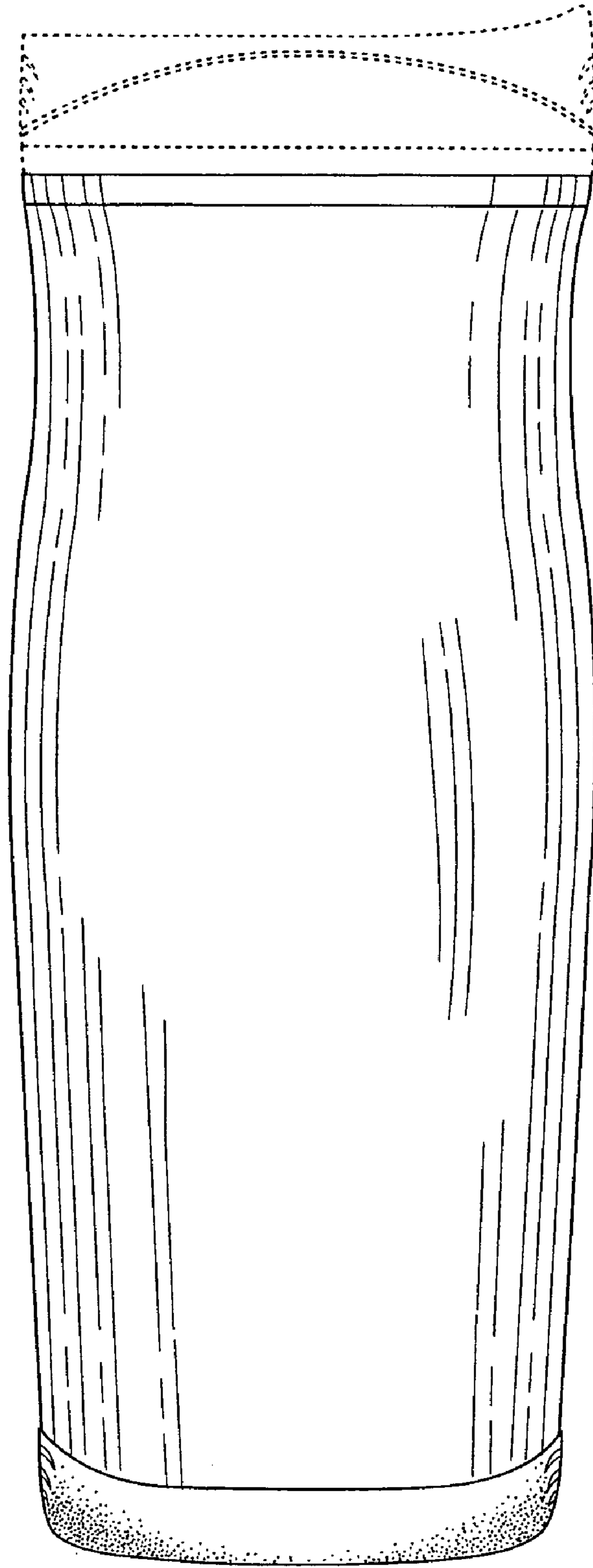


FIG. 8