



US00D550031S

(12) **United States Design Patent**  
**Pino et al.**

(10) **Patent No.:** **US D550,031 S**

(45) **Date of Patent:** **\*\* Sep. 4, 2007**

(54) **COOKTOP**

D470,359 S \* 2/2003 Jones et al. .... D7/408  
D495,202 S \* 8/2004 Becker et al. .... D7/408  
D495,203 S \* 8/2004 Becker et al. .... D7/408

(75) Inventors: **Giovanni Pino**, Delray Beach, FL (US);  
**Allen D. Wong**, Benton Harbor, MI  
(US); **Eric C. Irwin**, St. Joseph, MI  
(US); **Peter D. Wendel**, Monroe, WA  
(US); **Ryan L. Wilday**, San Diego, CA  
(US)

\* cited by examiner

*Primary Examiner*—Robert A. Delehanty  
(74) *Attorney, Agent, or Firm*—Tara Hartman; John F.  
Colligan

(73) Assignee: **Whirlpool Corporation**, Benton Harbor,  
MI (US)

(57) **CLAIM**

(\*\*) Term: **14 Years**

The ornamental design for a cooktop, as shown and  
described.

(21) Appl. No.: **29/229,626**

(22) Filed: **May 10, 2005**

**DESCRIPTION**

(51) **LOC (8) Cl.** ..... **07-02**  
(52) **U.S. Cl.** ..... **D7/408**  
(58) **Field of Classification Search** ..... D7/340,  
D7/346, 408–409; D23/397, 346–347, 402;  
219/450.1; 126/540, 152 R  
See application file for complete search history.

FIG. 1 is a front perspective view of the design of the  
cooktop;  
FIG. 2 is a top elevational view thereof;  
FIG. 3 is front elevational view thereof; and,  
FIG. 4 is right side elevational view with the left side being  
a mirror image thereof.

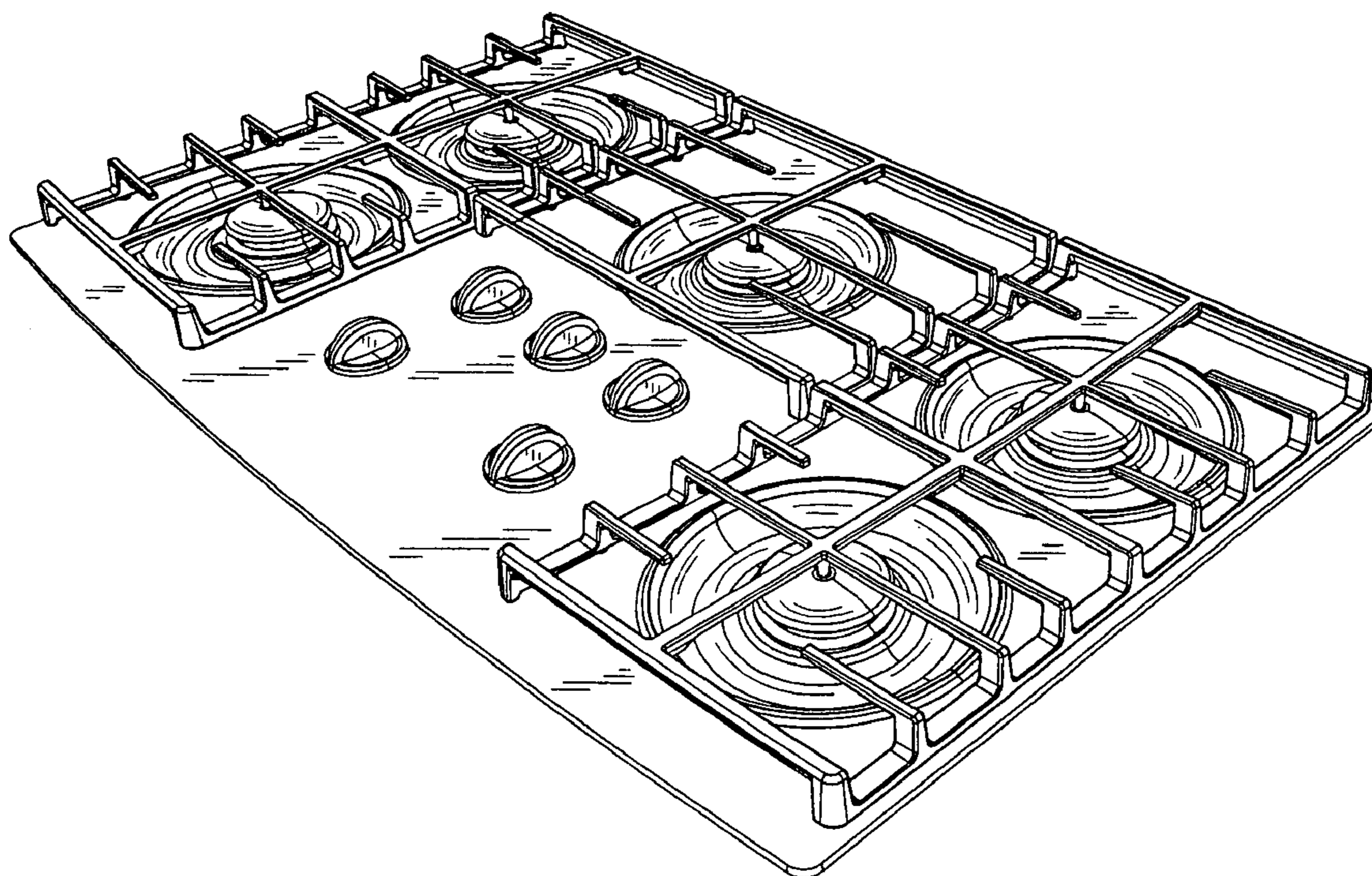
The portion shown in broken lines is for illustrative purposes  
only and does not form any part of the invention.

(56) **References Cited**

**U.S. PATENT DOCUMENTS**

D468,161 S \* 1/2003 Goodwin ..... D7/408

**1 Claim, 3 Drawing Sheets**



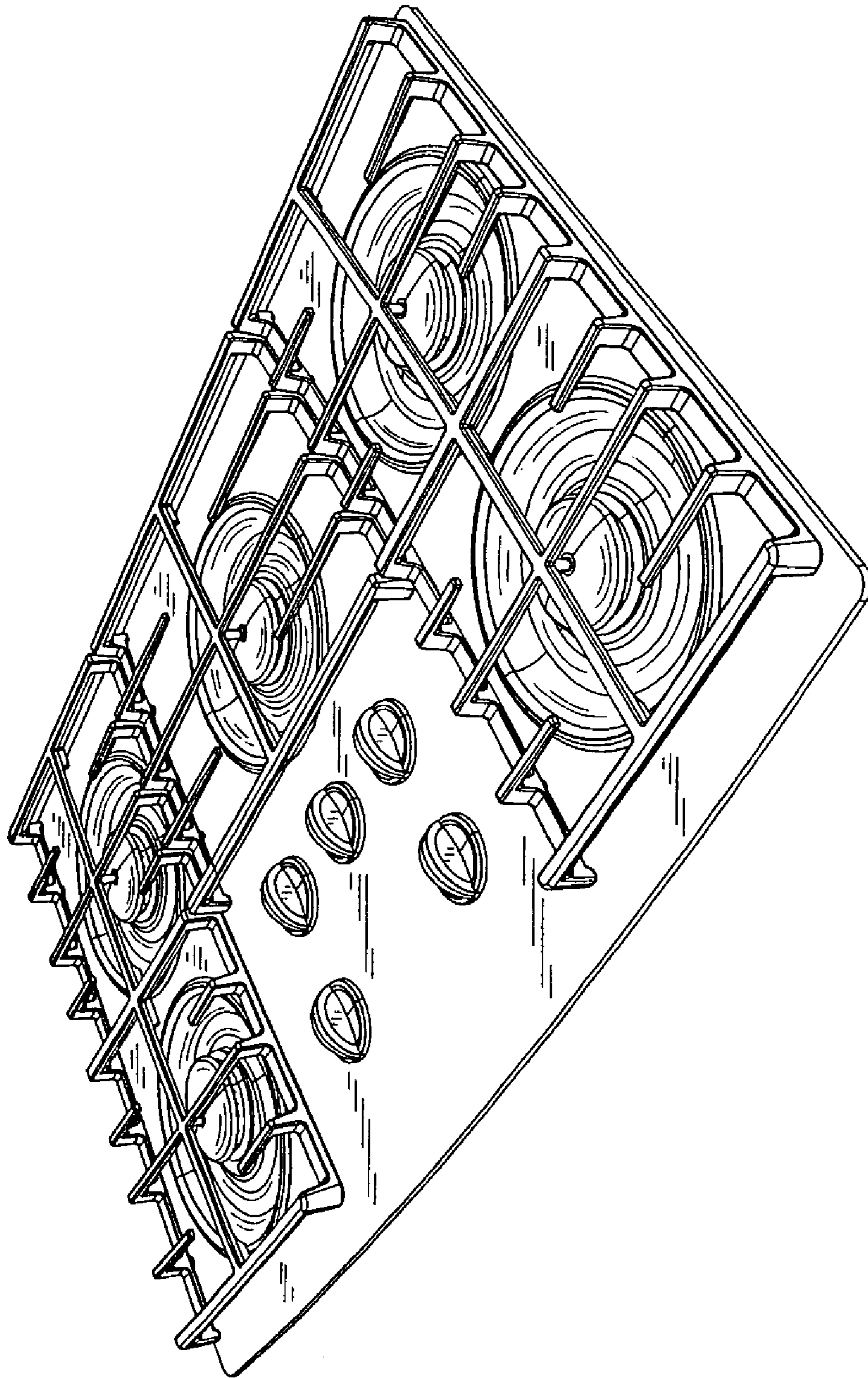


Fig. 1



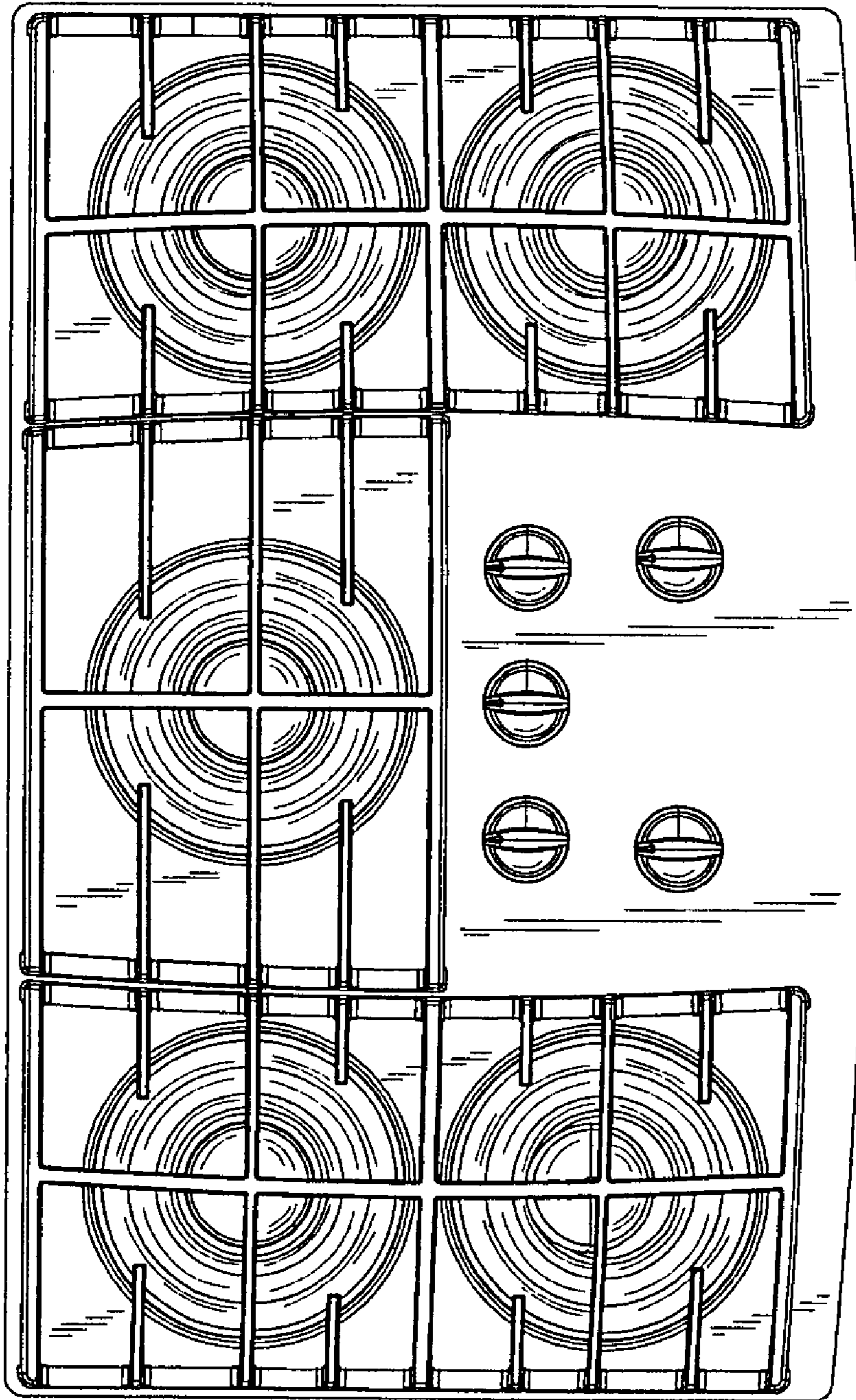
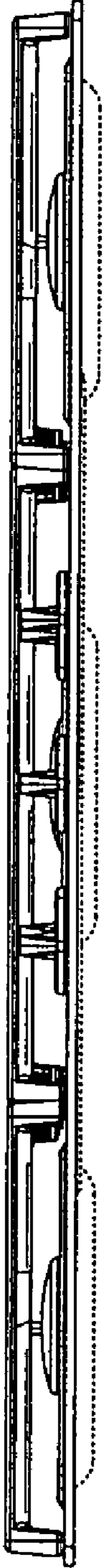
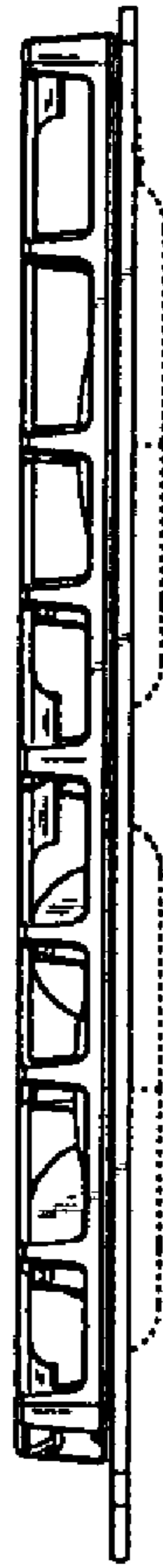


Fig. 2



**Fig. 3**



**Fig. 4**