



US00D550029S

(12) **United States Design Patent**
Nikkhah

(10) **Patent No.:** **US D550,029 S**

(45) **Date of Patent:** **** Sep. 4, 2007**

(54) **SMOOTHIE MAKER BLENDER**

D483,607 S * 12/2003 Chang Chien D7/384
D487,213 S * 3/2004 Boyle et al. D7/378
D519,314 S * 4/2006 Blaise D7/378

(75) Inventor: **Ali Nikkhah**, Mission Viejo, CA (US)

(73) Assignee: **Sylmark Holdings Limited** (IE)

* cited by examiner

(**) Term: **14 Years**

Primary Examiner—Caron D. Veynar

Assistant Examiner—Ricky Pham

(21) Appl. No.: **29/246,500**

(74) *Attorney, Agent, or Firm*—Kathy Mojibi Kavcioglu

(22) Filed: **Apr. 19, 2006**

(57) **CLAIM**

(51) **LOC (8) Cl.** **31-00**

I claim the ornamental design for the smoothie maker blender, as shown and described.

(52) **U.S. Cl.** **D7/378**

(58) **Field of Classification Search** D7/300.1,
D7/306, 313, 372–386, 412, 413, 665; D14/413;
74/16; 99/509–511; 241/30, 33, 37.5, 101.01–101.02,
241/166–169.1, 274–278.2, 282.1–282.2,
241/285.1–285.3, 291, 292.1, 301; 318/443;
366/64–67, 98, 100, 129, 191, 197–201,
366/205–207, 219–221, 241–254, 279–292,
366/325.94, 330.4, 341–343

DESCRIPTION

See application file for complete search history.

FIG. 1 is a left side elevational view of a smoothie maker blender showing my new design;

FIG. 2 is a right side elevational view of the smoothie maker blender of FIG. 1;

FIG. 3 is a front elevational view of the smoothie maker blender of FIG. 1;

(56) **References Cited**

U.S. PATENT DOCUMENTS

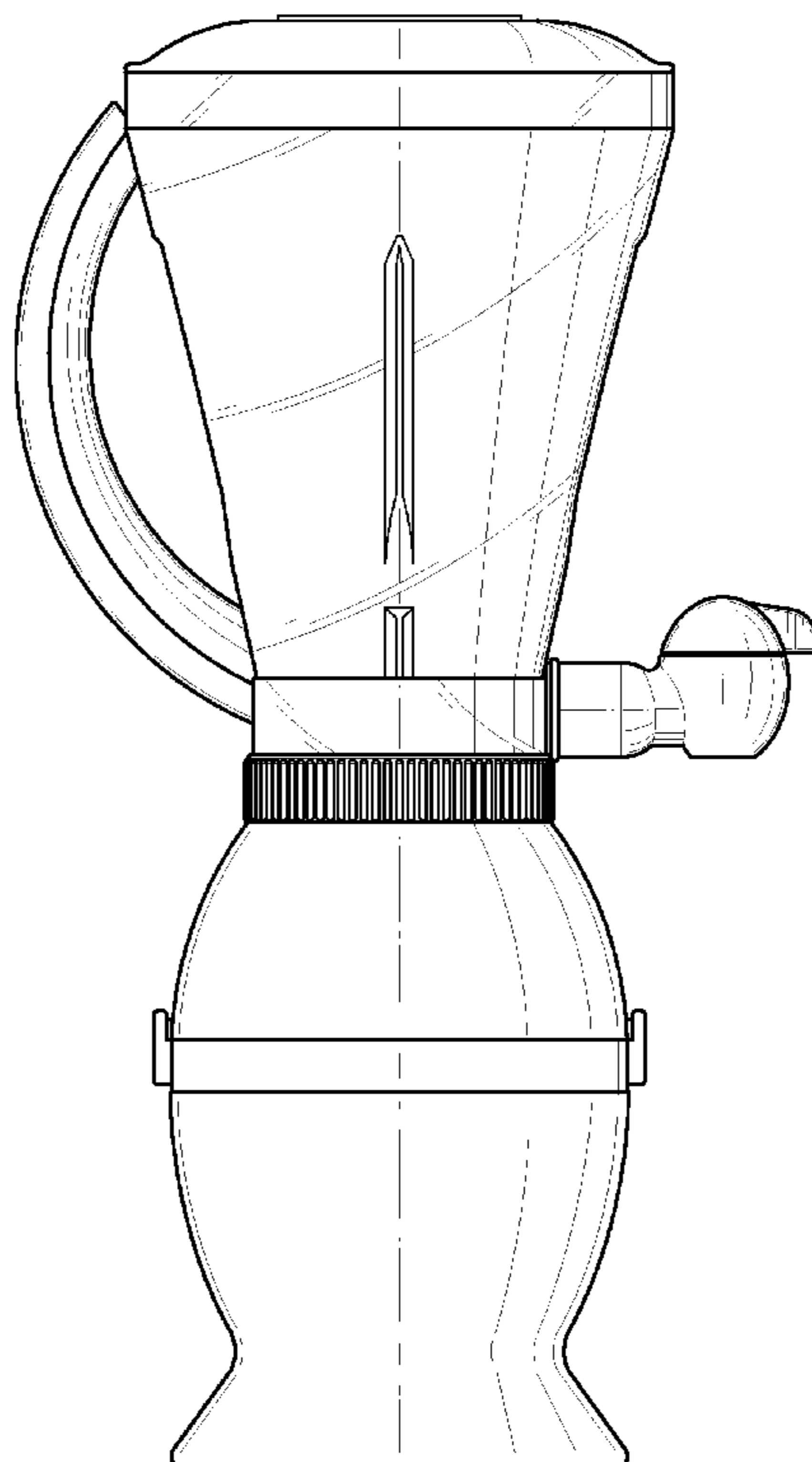
D199,888 S * 12/1964 Dewenter D7/378
D373,504 S * 9/1996 Leverrier D7/378
D453,443 S * 2/2002 Hoare et al. D7/378
D465,127 S * 11/2002 Lee D7/378
D473,421 S * 4/2003 Daniels, Jr. D7/378
D474,065 S * 5/2003 Daniels, Jr. D7/378

FIG. 4 is a rear elevational view of the smoothie maker blender of FIG. 1;

FIG. 5 is a top plan view of the smoothie maker blender of FIG. 1; and,

FIG. 6 is a bottom plan view of the smoothie maker blender of FIG. 1.

1 Claim, 5 Drawing Sheets



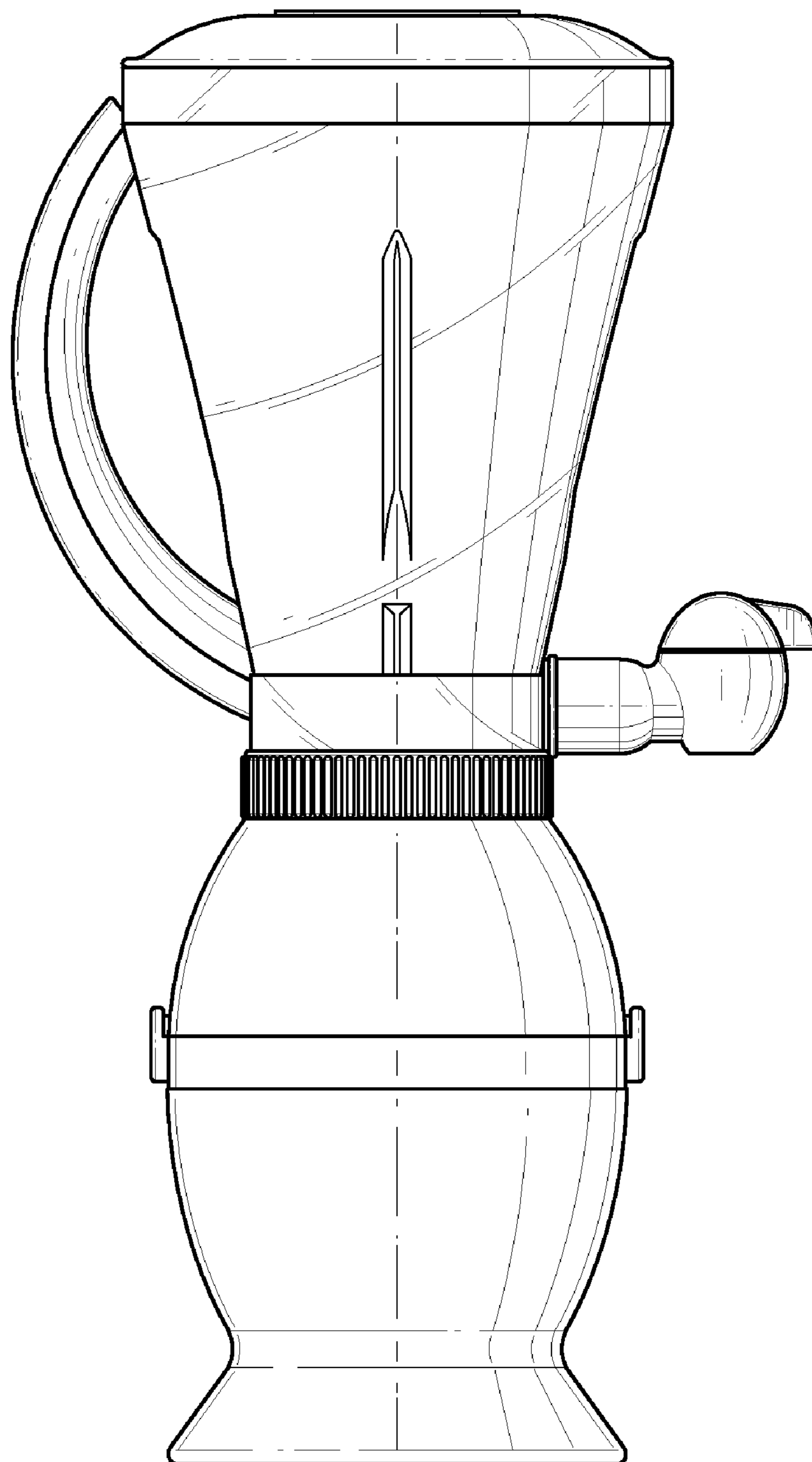


FIG. 1

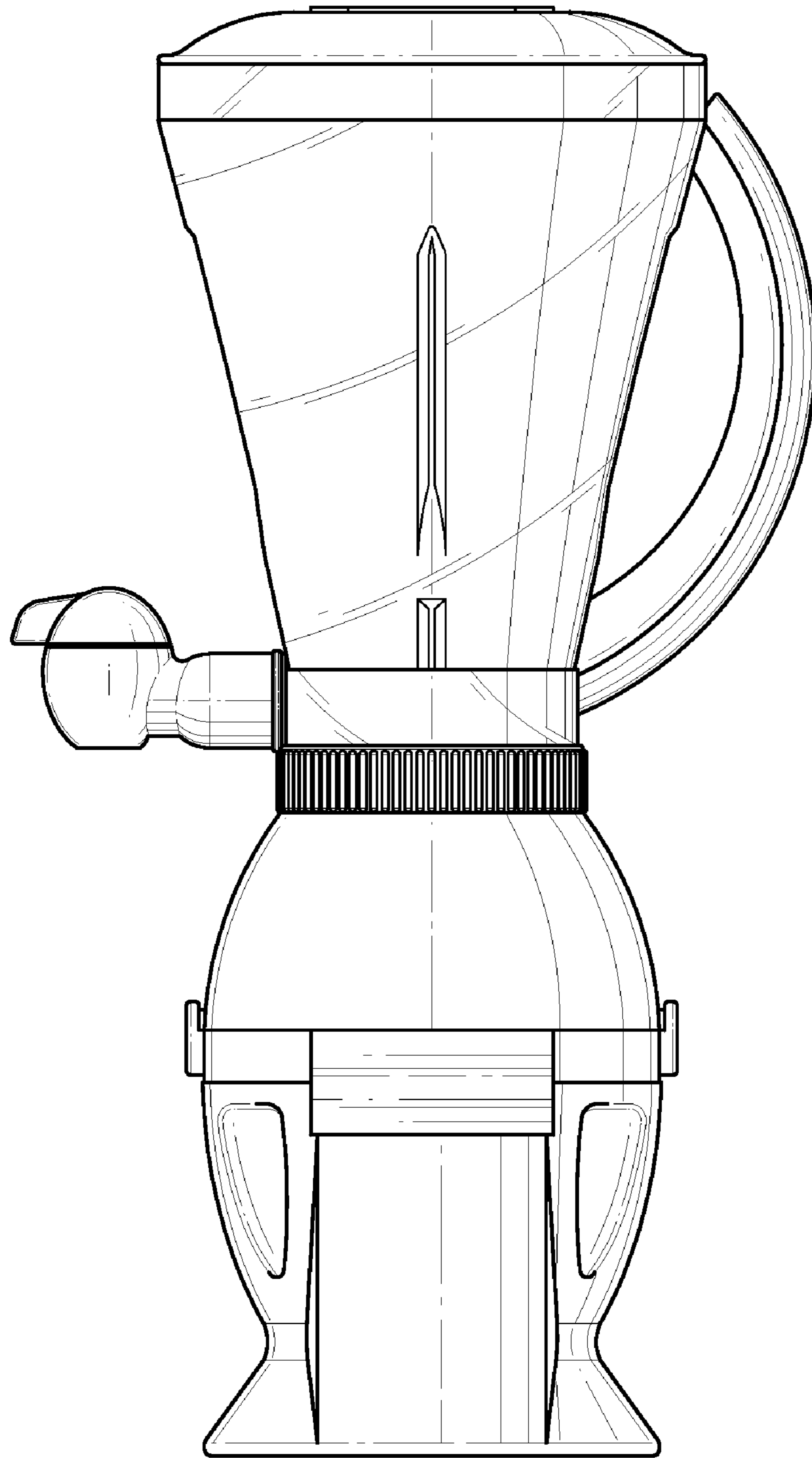


FIG. 2

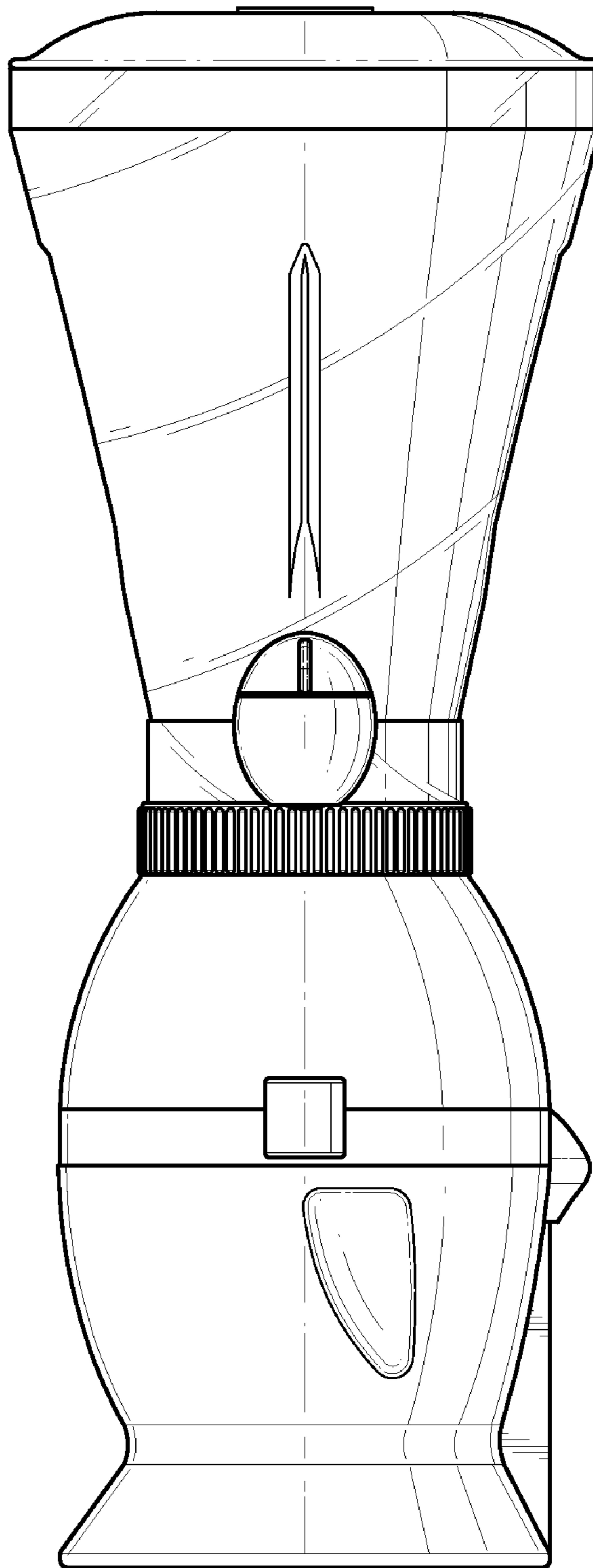


FIG. 3

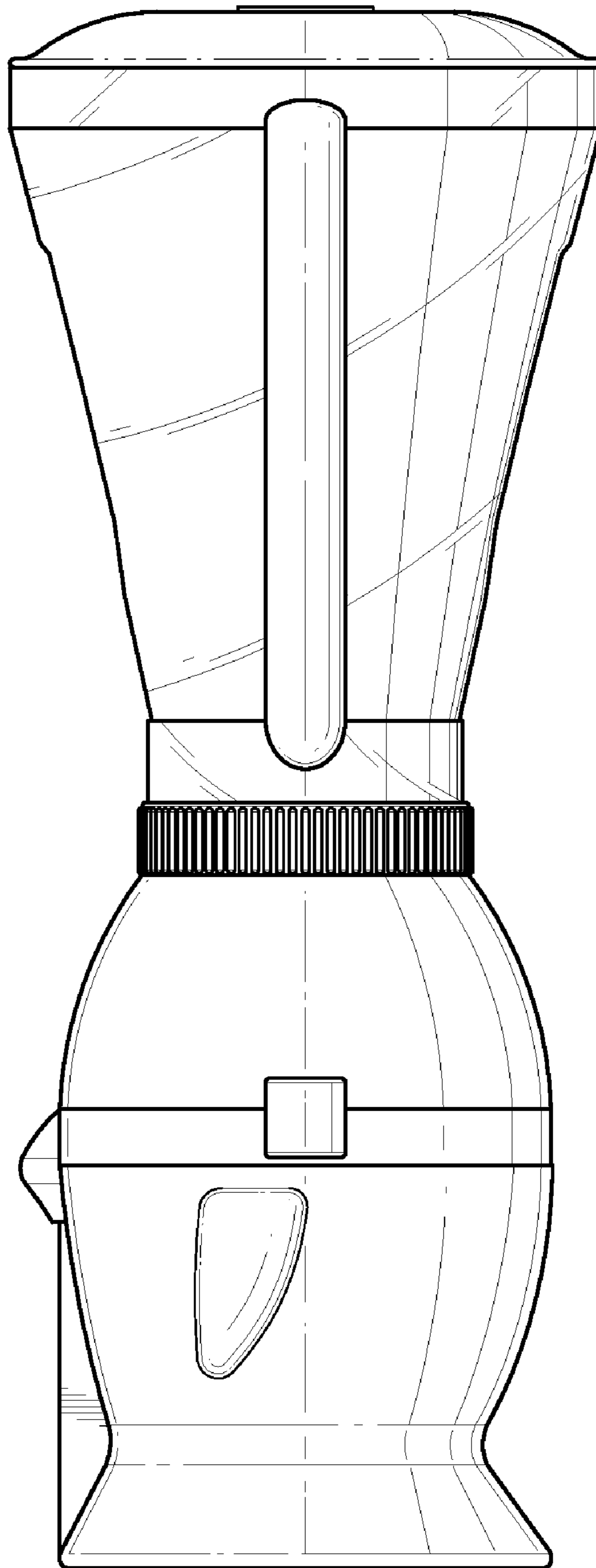


FIG. 4

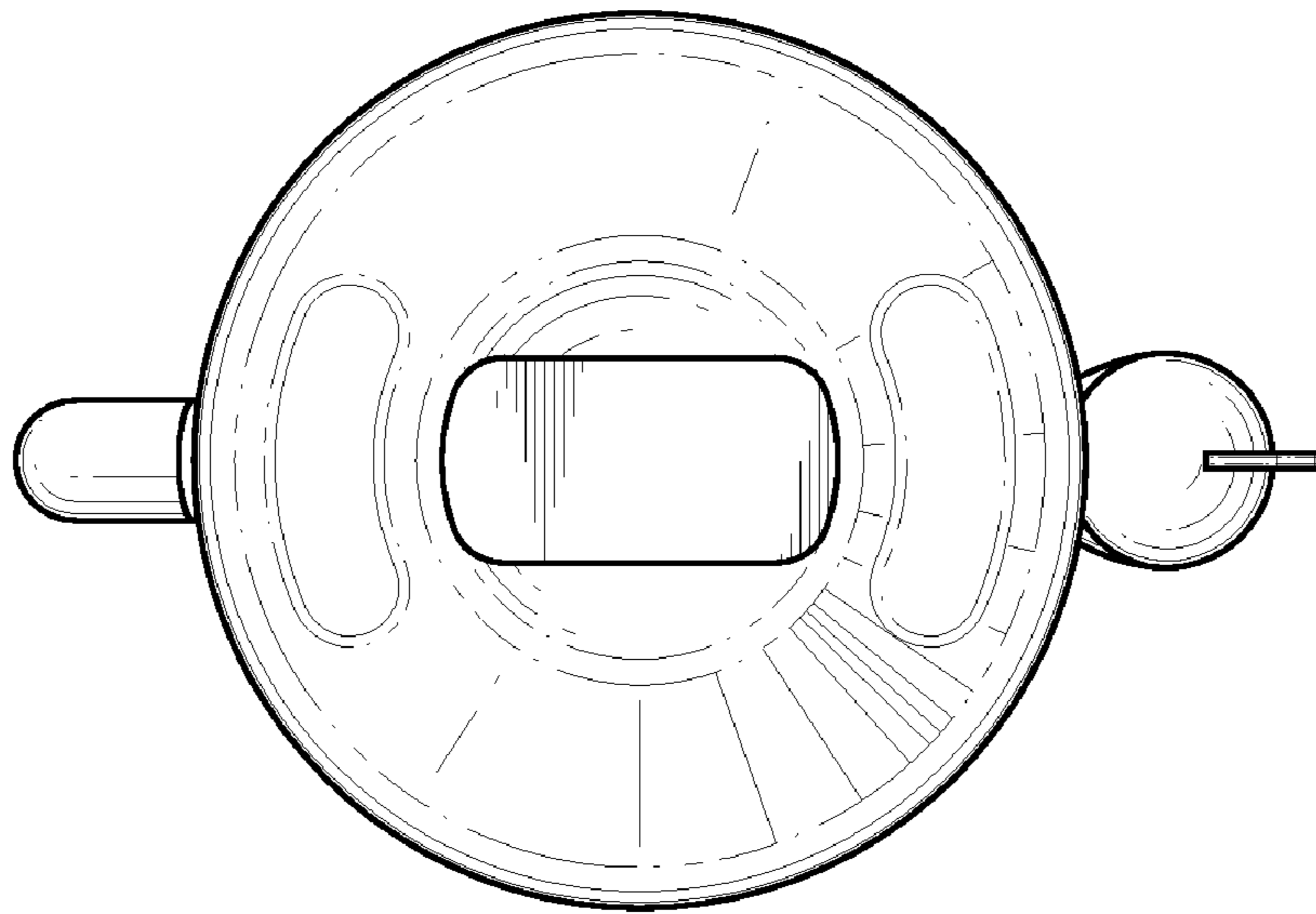


FIG. 5

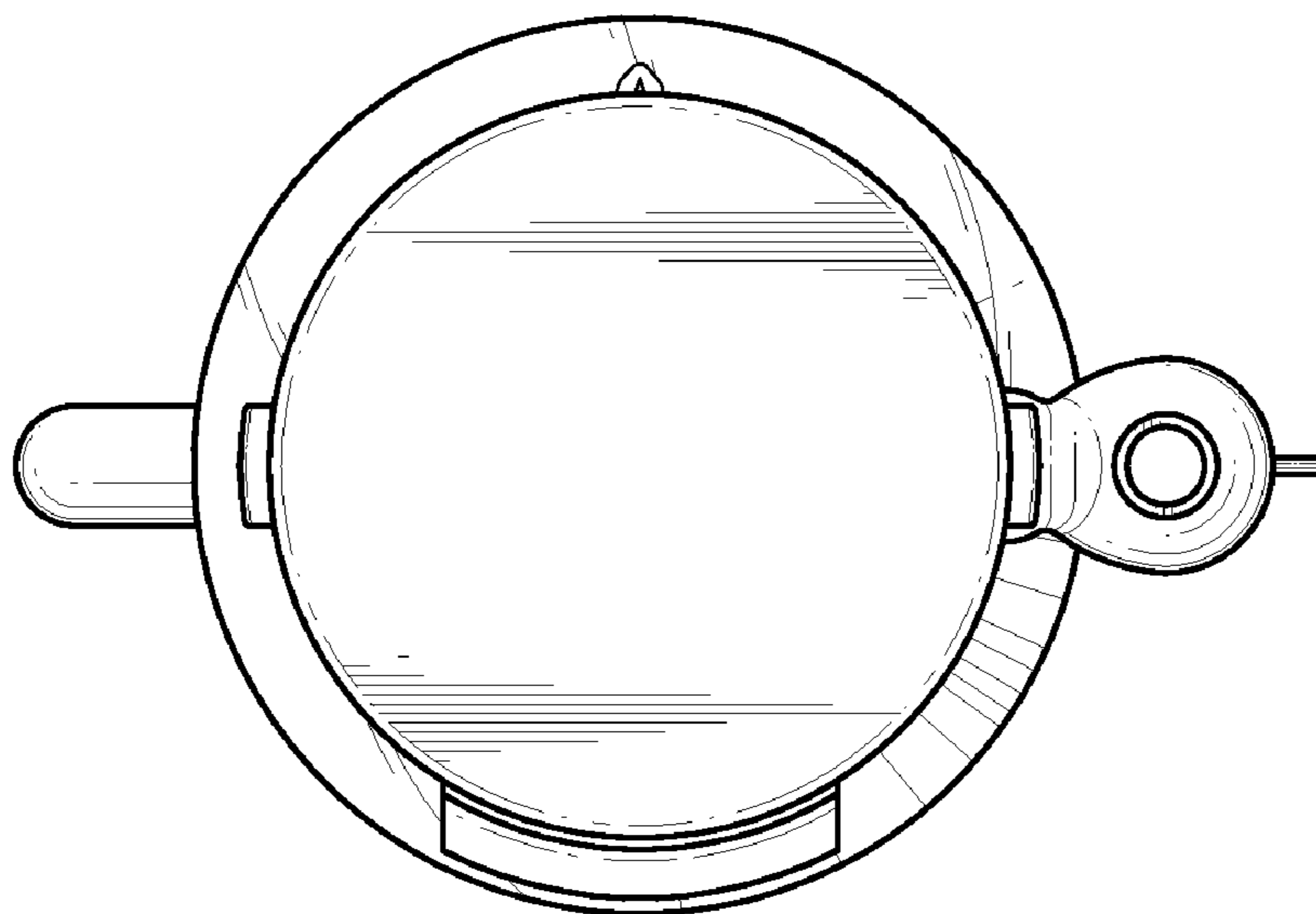


FIG. 6