



US00D550027S

(12) **United States Design Patent** (10) **Patent No.:** **US D550,027 S**  
**Hadj-Chikh et al.** (45) **Date of Patent:** **\*\* Sep. 4, 2007**

(54) **PAN HANDLE**

(75) Inventors: **Sharon Hadj-Chikh**, Buffalo, NY (US); **Daniel Joseph D'Arcy**, Lancaster, NY (US); **Margaret Butler**, Raleigh, NC (US); **Paul Hatch**, Chicago, IL (US)

(73) Assignee: **Robinson Home Products, Inc.**, Buffalo, NY (US)

(\*\*) Term: **14 Years**

(21) Appl. No.: **29/275,030**

(22) Filed: **Dec. 8, 2006**

(51) **LOC (8) Cl.** ..... **07-02**

(52) **U.S. Cl.** ..... **D7/361**

(58) **Field of Classification Search** ..... D7/323,  
D7/354-361, 393-395, 401.2, 402, 500, 538-548,  
D7/584-588, 682-697; D8/107, 300, 307,  
D8/317; 16/110.1, 407, 430-431, 436, 441,  
16/444; 29/527.1-527.5; 30/340; 99/403,  
99/422, 425-426, 339, 445; 219/620-622;  
220/377, 573.1-573.3, 752-753, 755-759,  
220/769, 771, 912

See application file for complete search history.

(56) **References Cited**

**U.S. PATENT DOCUMENTS**

D407,600 S *	4/1999	LoGiudice	.....	D7/395
D408,217 S *	4/1999	LoGiudice	.....	D7/401.2
D426,107 S *	6/2000	Cheng	.....	D7/393
D429,950 S *	8/2000	Yu et al.	.....	D7/395
D439,108 S *	3/2001	LoGiudice	.....	D7/395
D444,347 S *	7/2001	LoGiudice	.....	D7/395
D445,642 S *	7/2001	Rae	.....	D7/393
D446,079 S	8/2001	Rae		
D447,383 S	9/2001	Rae		
D450,217 S	11/2001	Rae		
D461,992 S *	8/2002	Laib	.....	D7/393
D476,524 S	7/2003	Cornfield		
D477,180 S	7/2003	Burton et al.		
D482,233 S	11/2003	Rae		

D482,234 S	11/2003	Rae		
D482,567 S *	11/2003	Demers	.....	D7/395
D489,937 S	5/2004	Erhardt et al.		
D490,270 S	5/2004	Pippel et al.		
D491,016 S	6/2004	Rae		
D493,060 S	7/2004	Pippel et al.		
D494,007 S	8/2004	Rae		
D494,412 S *	8/2004	Prakasa	.....	D7/395
D496,219 S	9/2004	Rae		
D497,767 S *	11/2004	Cacace	.....	D7/361
D501,358 S	2/2005	LoGiudice et al.		
D503,585 S *	4/2005	Tetreault et al.	.....	D7/395
D536,215 S *	2/2007	Brickl et al.	.....	D7/401.2

\* cited by examiner

*Primary Examiner*—Cathron C. Brooks

*Assistant Examiner*—Ricky Pham

(74) *Attorney, Agent, or Firm*—Harter Secrest & Emery LLP; Michael J. Didas, Esq.; Brian B. Shaw, Esq.

(57) **CLAIM**

The ornamental design for the pan handle, as shown and described.

**DESCRIPTION**

FIG. 1 is a perspective view of the pan handle according to the present invention;

FIG. 2 is a side elevational view of the pan handle of FIG. 1, wherein the opposite side elevational view is a mirror image thereof;

FIG. 3 is a top plan view of the pan handle of FIG. 1;

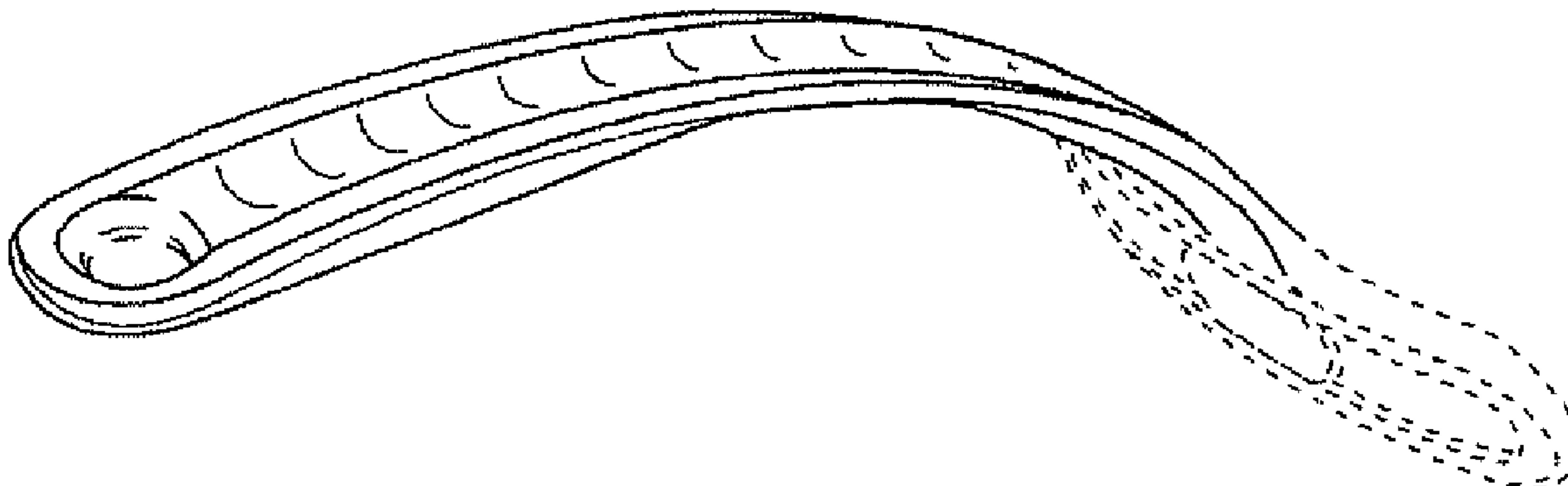
FIG. 4 is a bottom plan view of the pan handle of FIG. 1;

FIG. 5 is a front elevational view of the pan handle of FIG. 1; and,

FIG. 6 is a rear elevational view of the pan handle of FIG. 1.

The broken lines shown in the drawings are for illustrating portions of the pan handle that form no part of the claimed design.

**1 Claim, 6 Drawing Sheets**



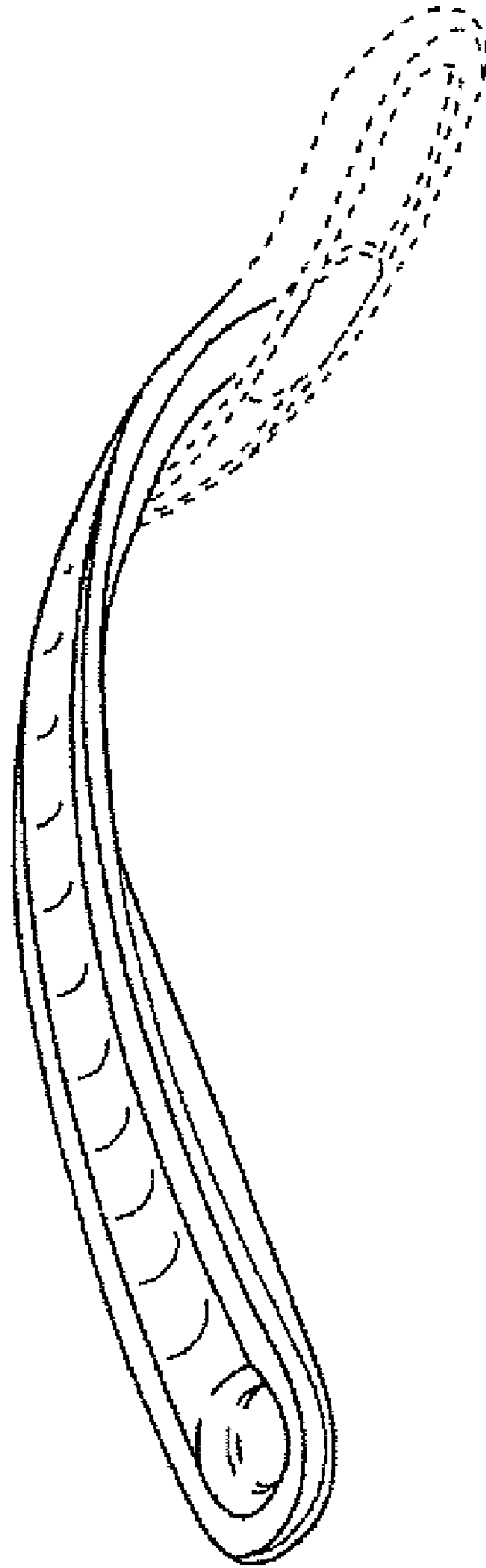


Fig. 1

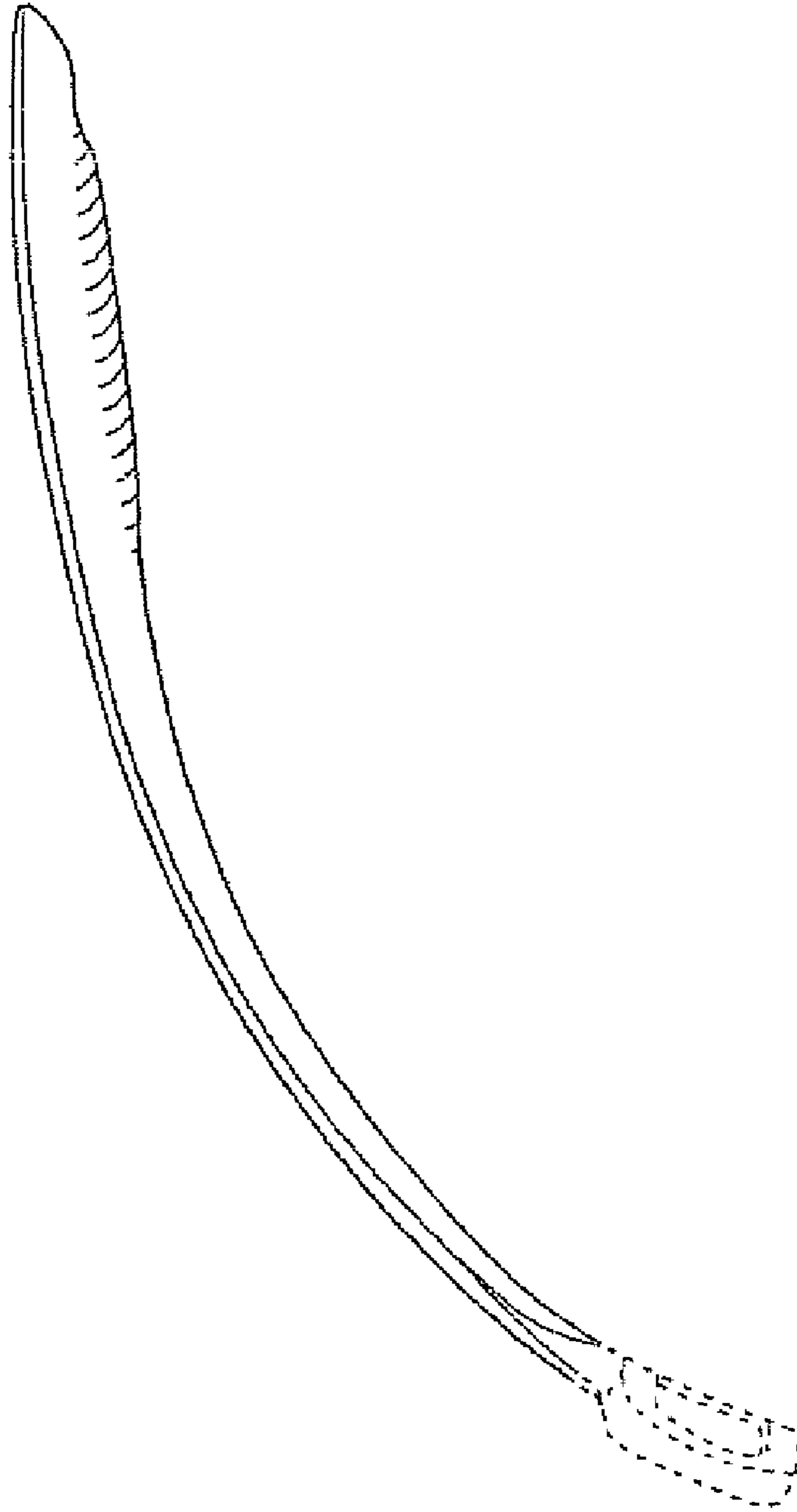


Fig. 2

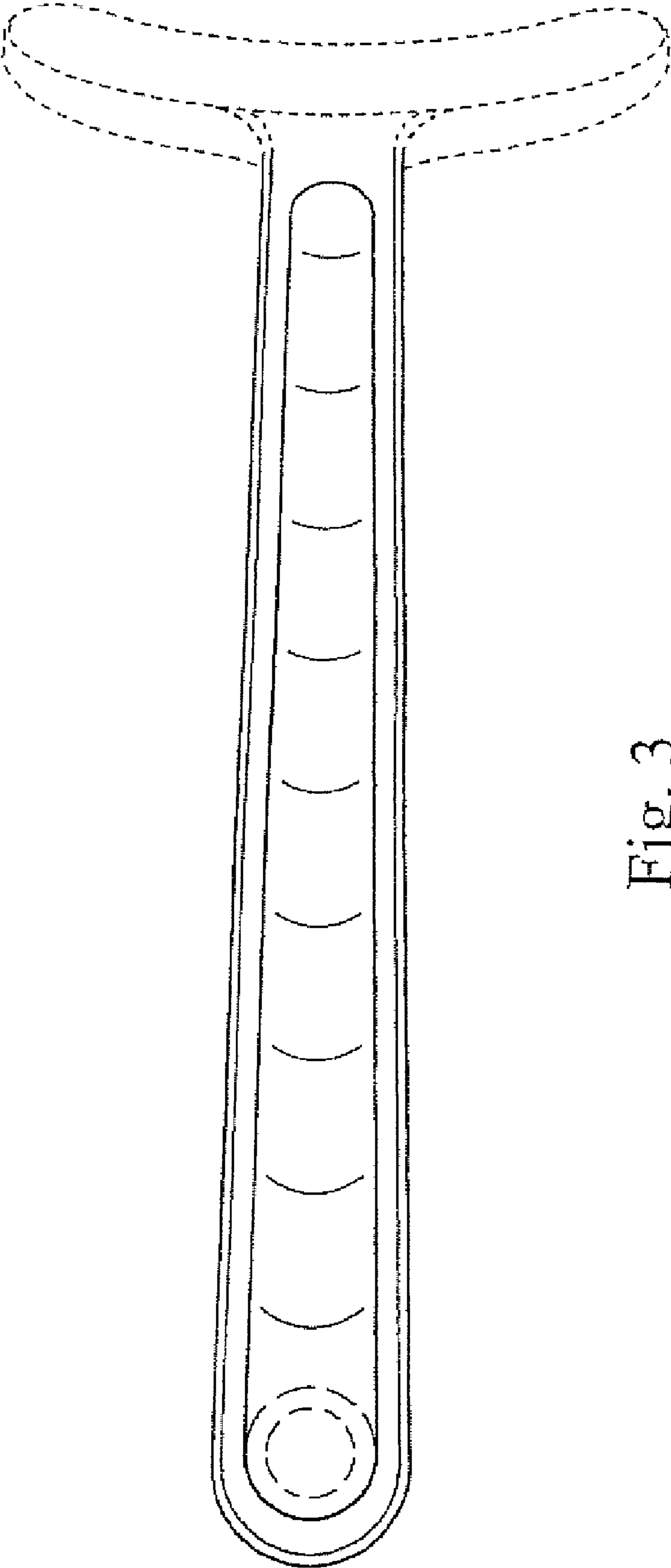


Fig. 3

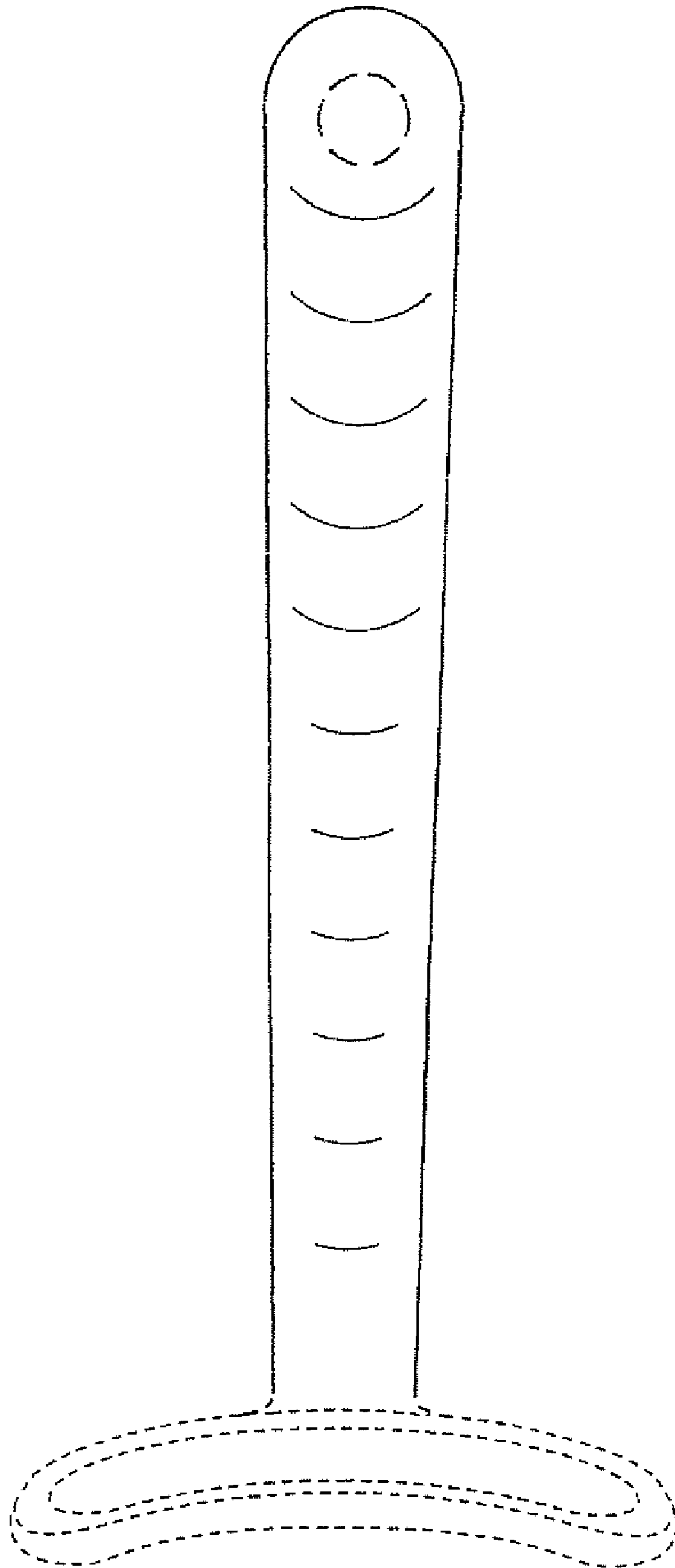


Fig. 4

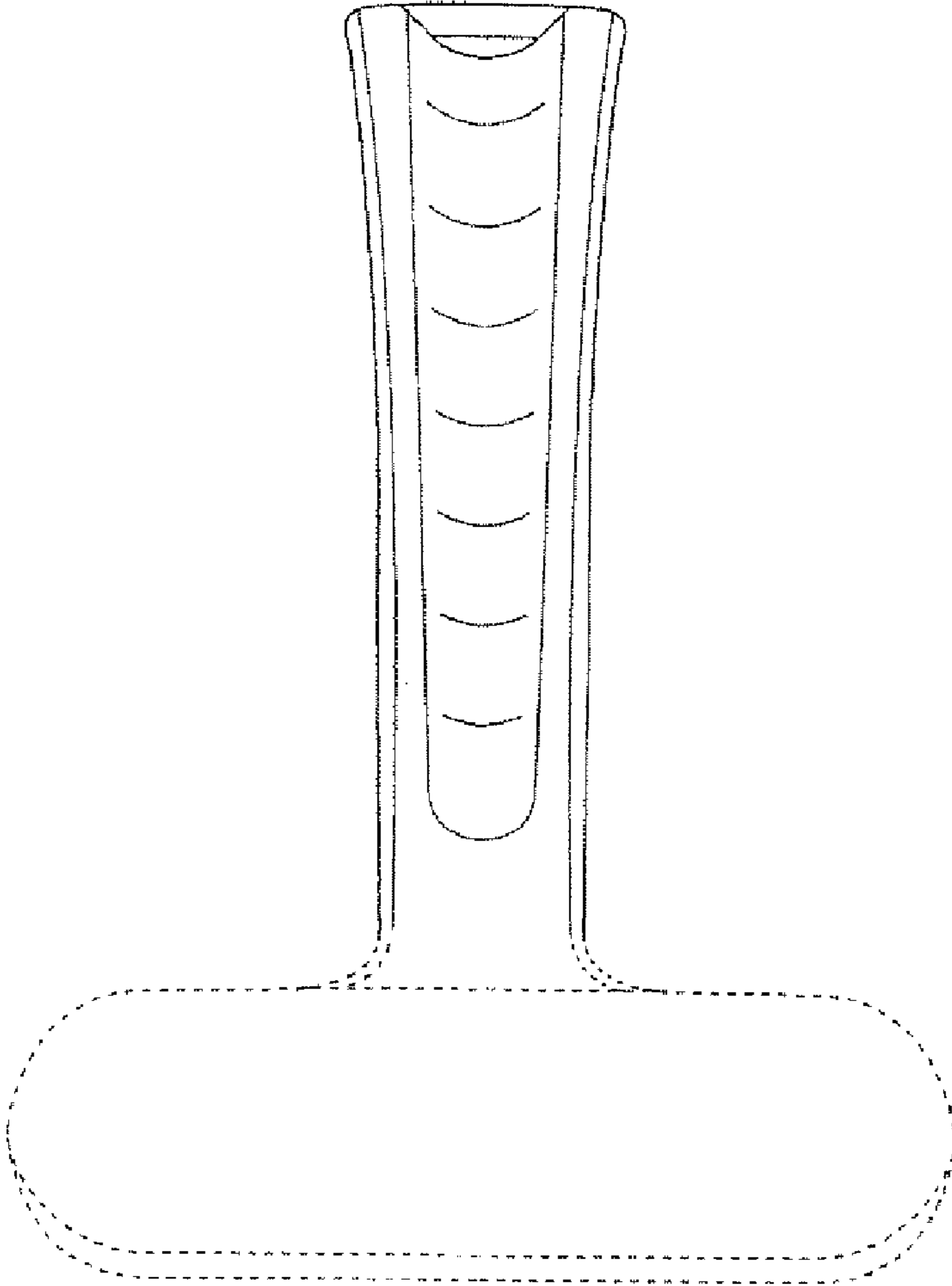


Fig. 5

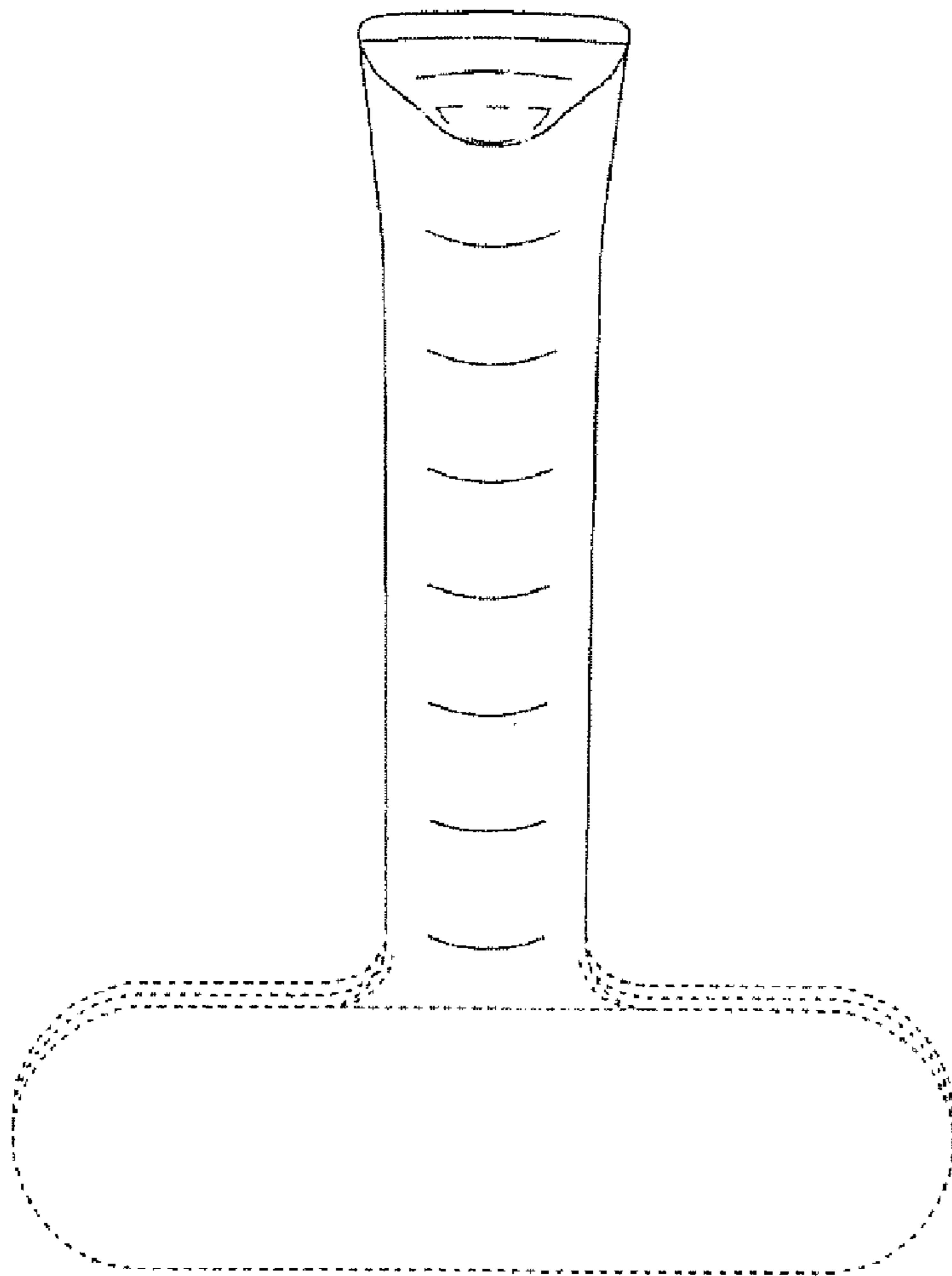


Fig. 6