



US00D550026S

(12) **United States Design Patent**
Chao

(10) **Patent No.:** **US D550,026 S**

(45) **Date of Patent:** **** Sep. 4, 2007**

(54) **COMBINATION FRYER AND ROASTER**

(75) Inventor: **Lingchin Chao**, Taichung County (TW)

(73) Assignee: **Tsann Kuen (China) Enterprise Co., Ltd.**, Xiamen, Fujian (CN)

(**) Term: **14 Years**

(21) Appl. No.: **29/269,695**

(22) Filed: **Dec. 6, 2006**

(51) **LOC (8) Cl.** **07-02**

(52) **U.S. Cl.** **D7/352**

(58) **Field of Classification Search** D7/323,
D7/328-332, 334-339, 352-363; 99/219,
99/331, 339-341, 349, 357, 369, 372-375,
99/385, 386, 389, 424, 425, 444, 446, 466,
99/601, 618, 620; 219/524, 525, 620-622,
219/732-734; 220/23.8

See application file for complete search history.

(56) **References Cited**

U.S. PATENT DOCUMENTS

D367,993 S *	3/1996	McClellan	D7/352
5,845,562 A *	12/1998	Deni et al.	99/375
5,848,567 A *	12/1998	Chiang	99/375
D409,876 S *	5/1999	Gruaz	D7/352
D413,760 S *	9/1999	Tsai et al.	D7/352
6,016,741 A *	1/2000	Tsai et al.	99/341
D446,074 S *	8/2001	Barker	D7/352
D446,679 S *	8/2001	Lin	D7/352
6,397,733 B1 *	6/2002	Lin	99/375
D462,228 S *	9/2002	Wu	D7/352
D462,229 S *	9/2002	Wu	D7/352
D462,230 S *	9/2002	Wu	D7/352
D462,566 S *	9/2002	Wu	D7/352
D464,230 S *	10/2002	Wu	D7/352
D473,417 S *	4/2003	Martres	D7/352
D475,237 S *	6/2003	Lin	D7/352

D493,663 S *	8/2004	Lin et al.	D7/347
D494,407 S *	8/2004	Lin et al.	D7/347
D511,928 S *	11/2005	Sawhney et al.	D7/352
D521,310 S *	5/2006	Lin	D7/352
D522,306 S *	6/2006	Wilgus et al.	D7/337
D522,802 S *	6/2006	Dreimann et al.	D7/352
D526,153 S *	8/2006	Weiwen	D7/352
D526,154 S *	8/2006	Dreimann et al.	D7/352
D533,392 S *	12/2006	Yeung	D7/352
2005/0139086 A1 *	6/2005	McHutchison	99/389

* cited by examiner

Primary Examiner—Cathron C. Brooks

Assistant Examiner—Ricky Pham

(74) *Attorney, Agent, or Firm*—Greer, Burns & Crain, Ltd.

(57) **CLAIM**

The ornamental design for a combination fryer and roaster, as shown and described.

DESCRIPTION

FIG. 1 is a top plan view of the present combination fryer and roaster;

FIG. 2 is a bottom plan view thereof;

FIG. 3 is a rear elevational view thereof;

FIG. 4 is a side elevational view thereof, the opposite side being a mirror image;

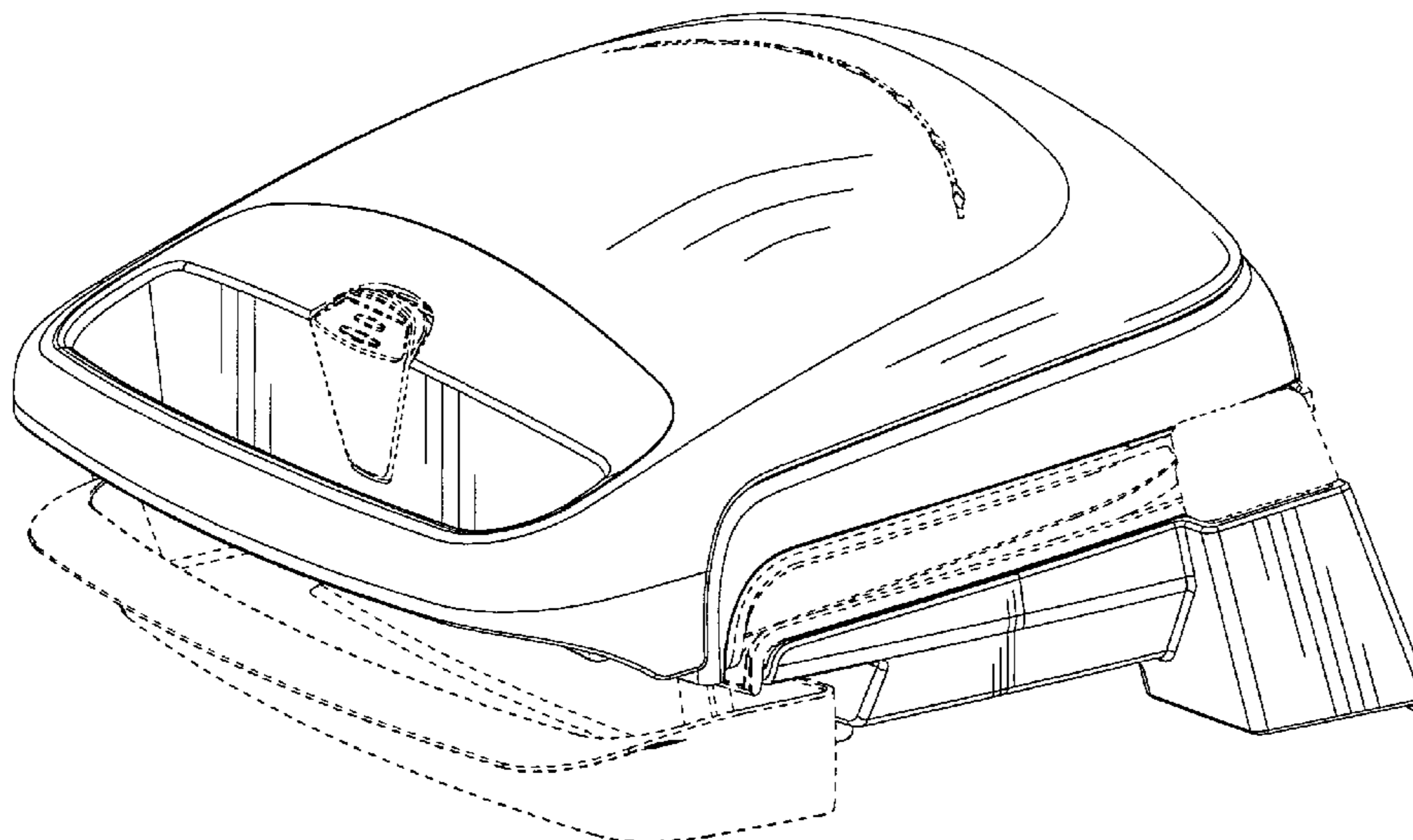
FIG. 5 is a front elevational view thereof;

FIG. 6 is a isometric view of the present combination fryer and roaster shown on a closed position; and,

FIG. 7 is an isometric view of the present combination fryer and roaster shown in an opened position.

The subject matter in broken lines is provided for environmental purposes only and is not considered part of the claimed invention.

1 Claim, 5 Drawing Sheets



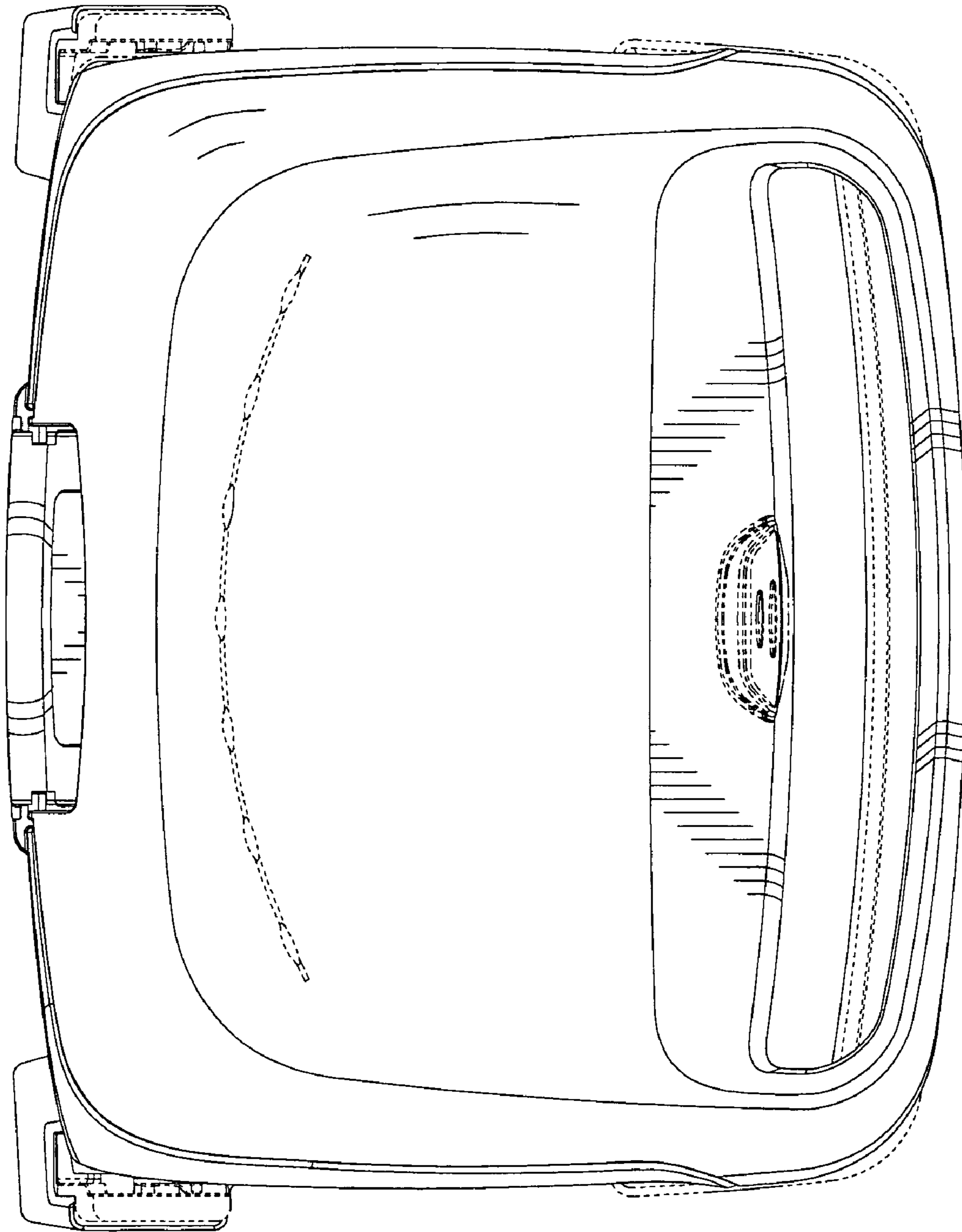


fig. 1

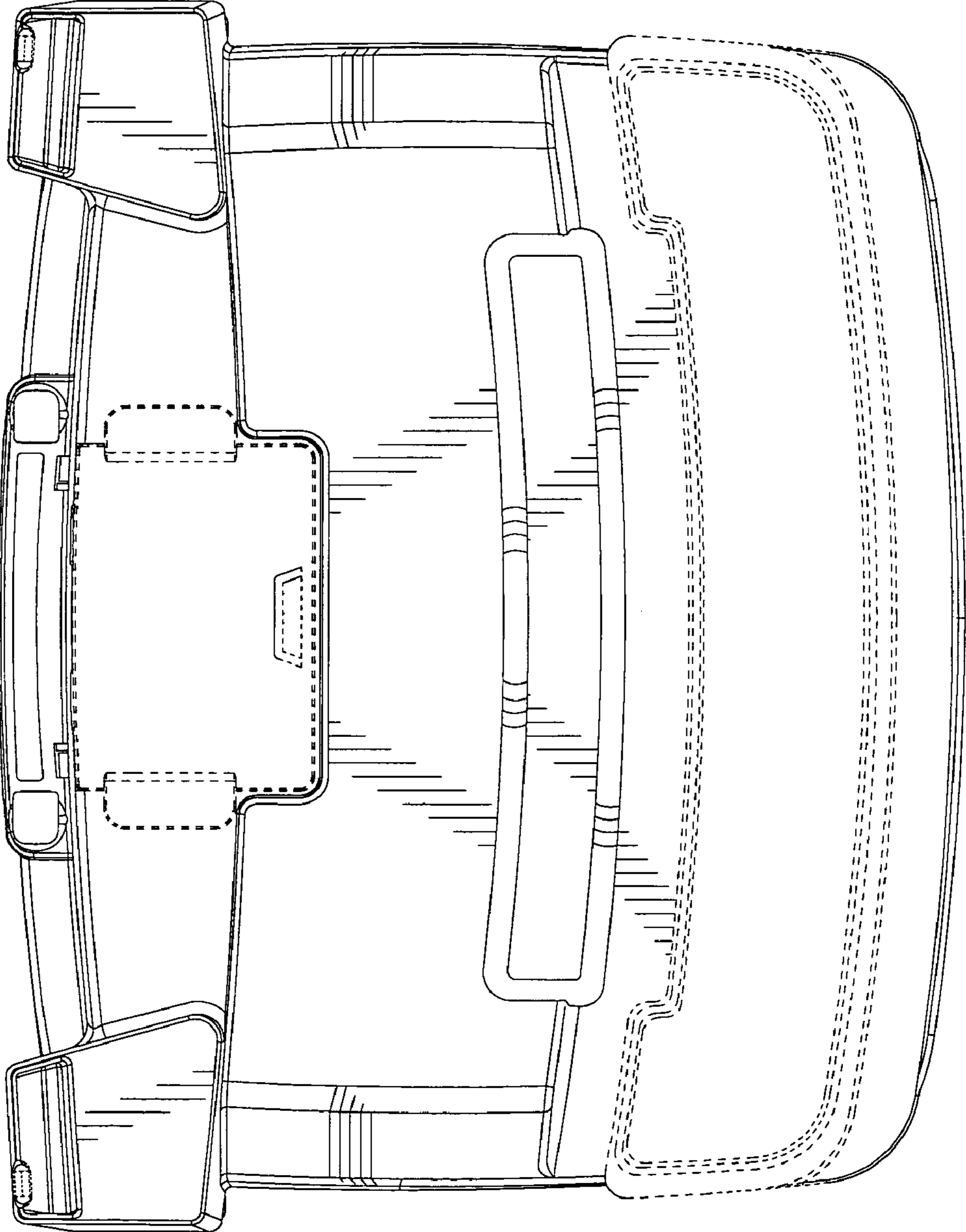


fig. 2

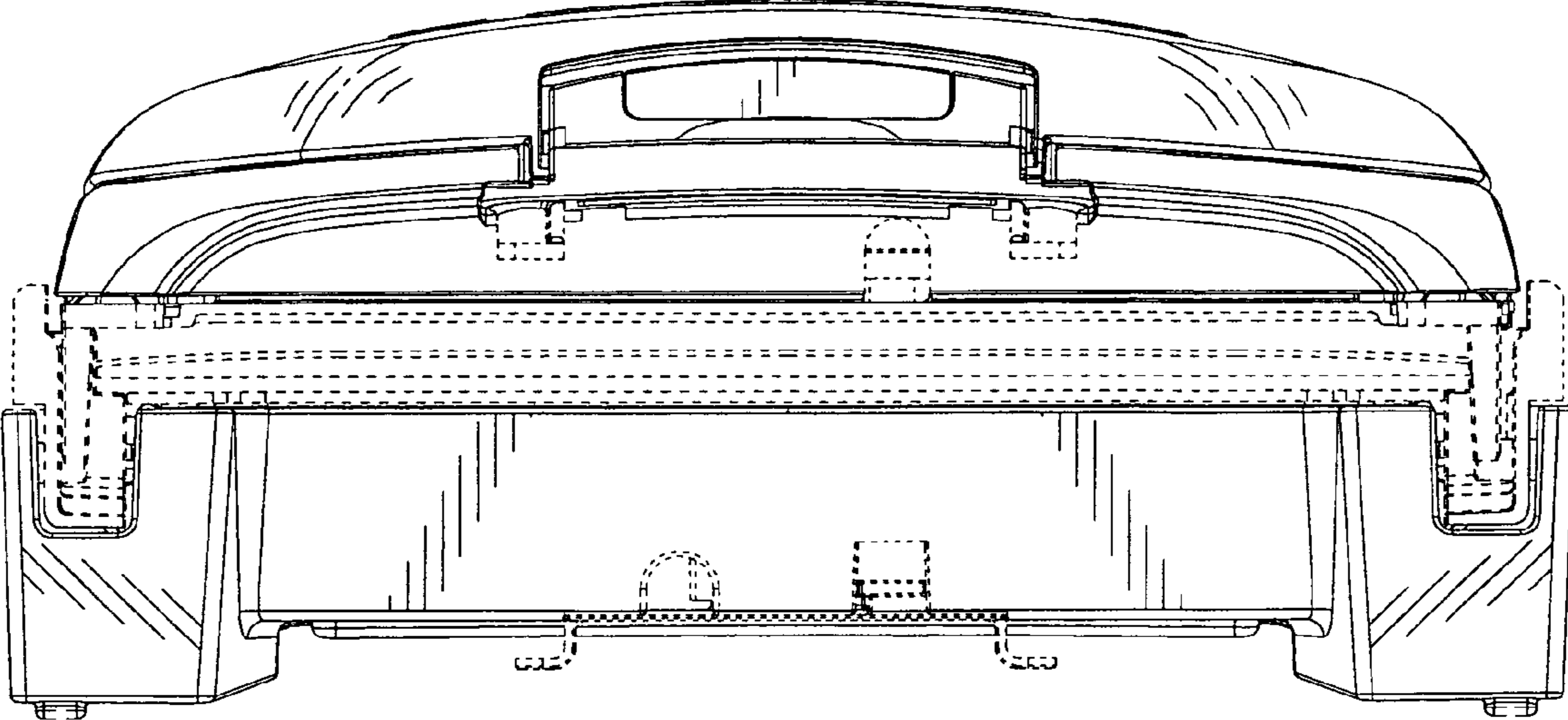


fig. 3

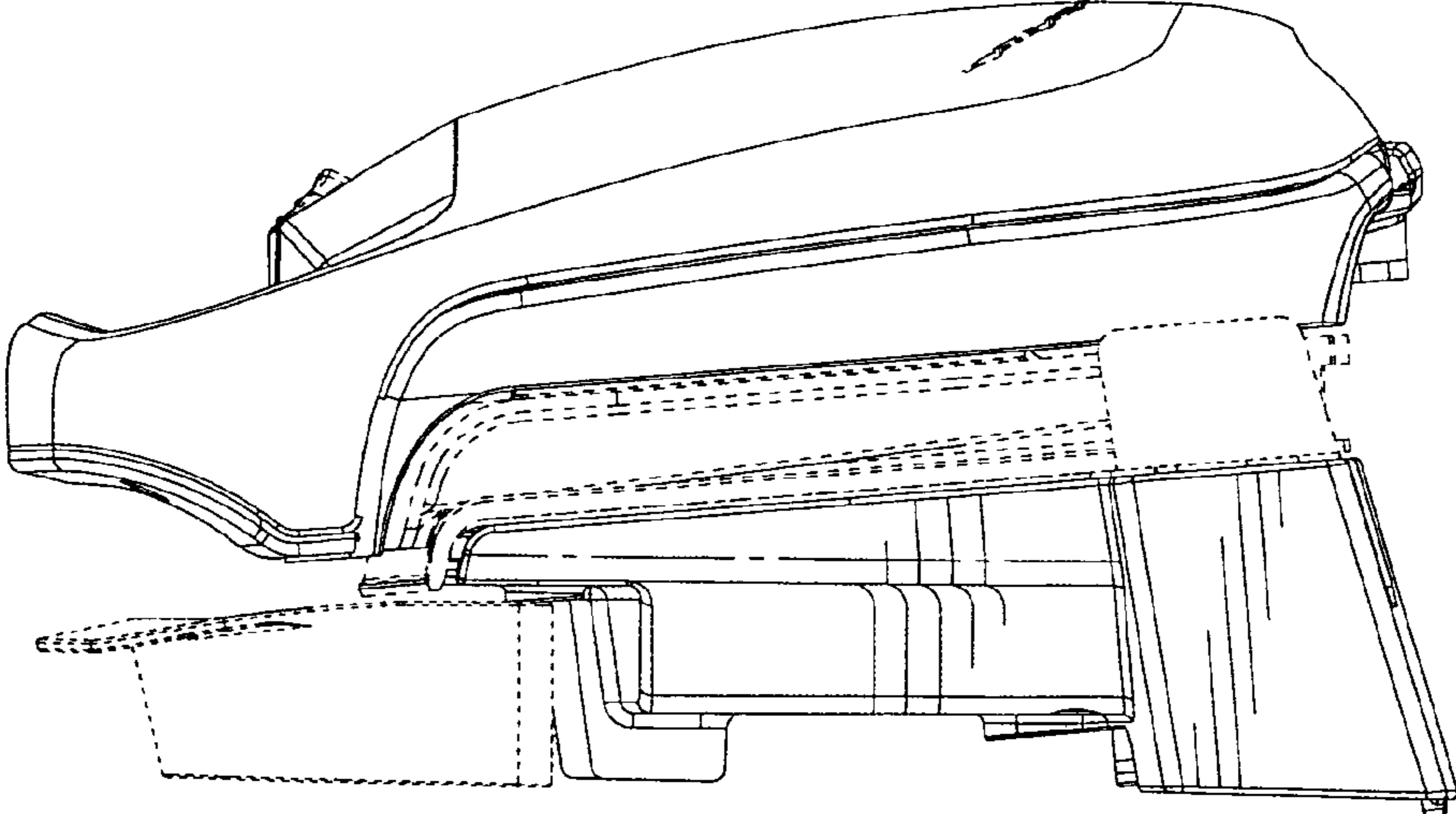


fig. 4

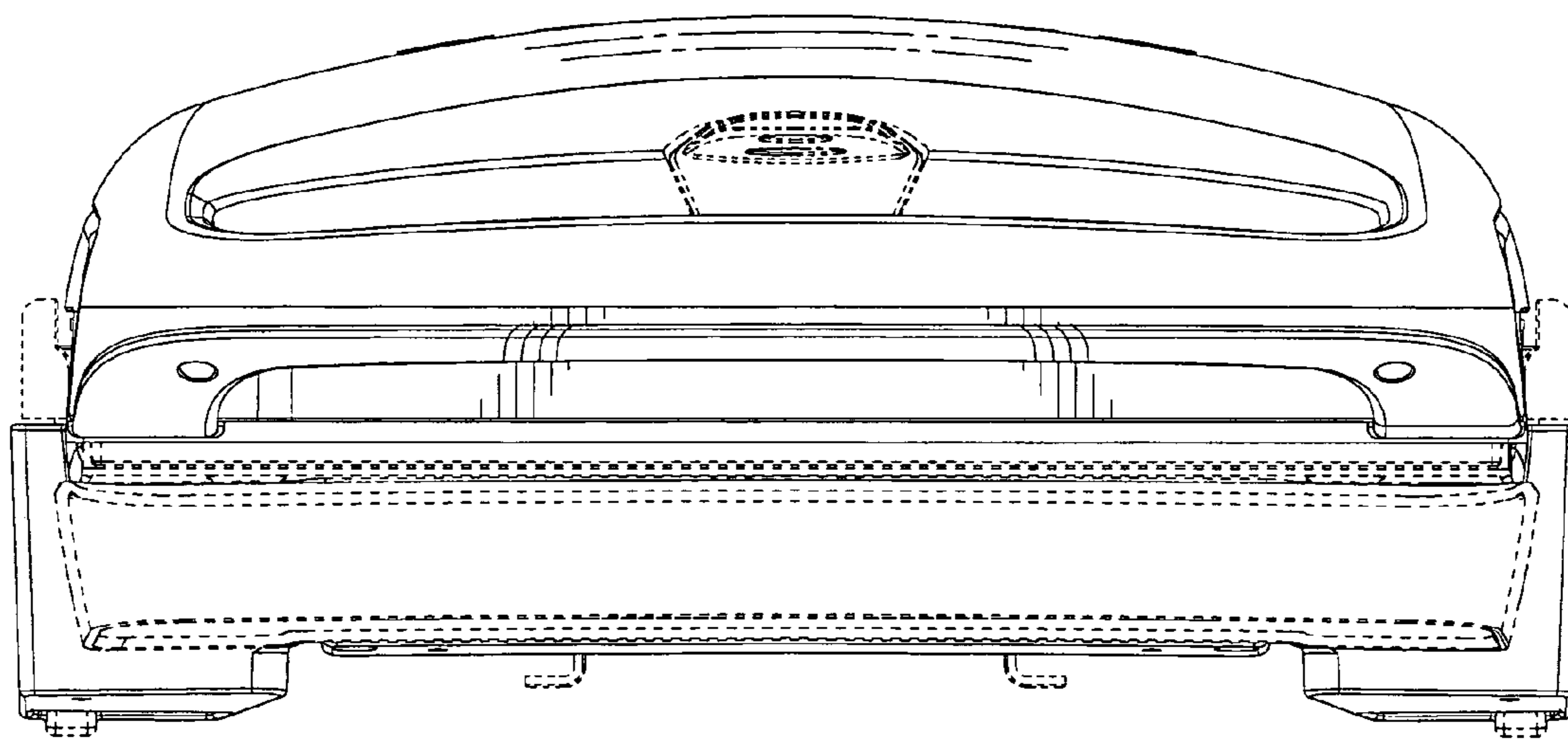


fig. 5

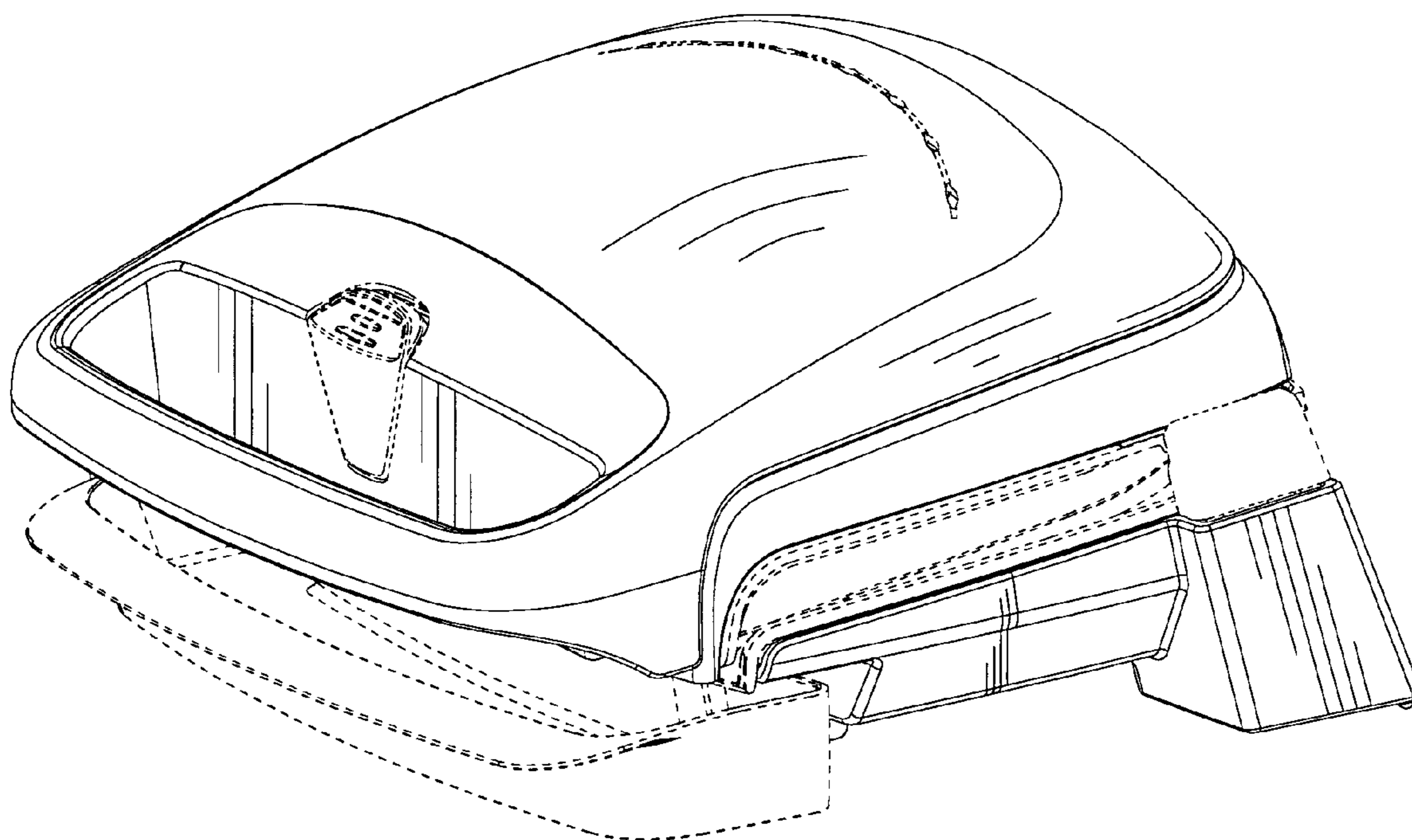


fig. 6

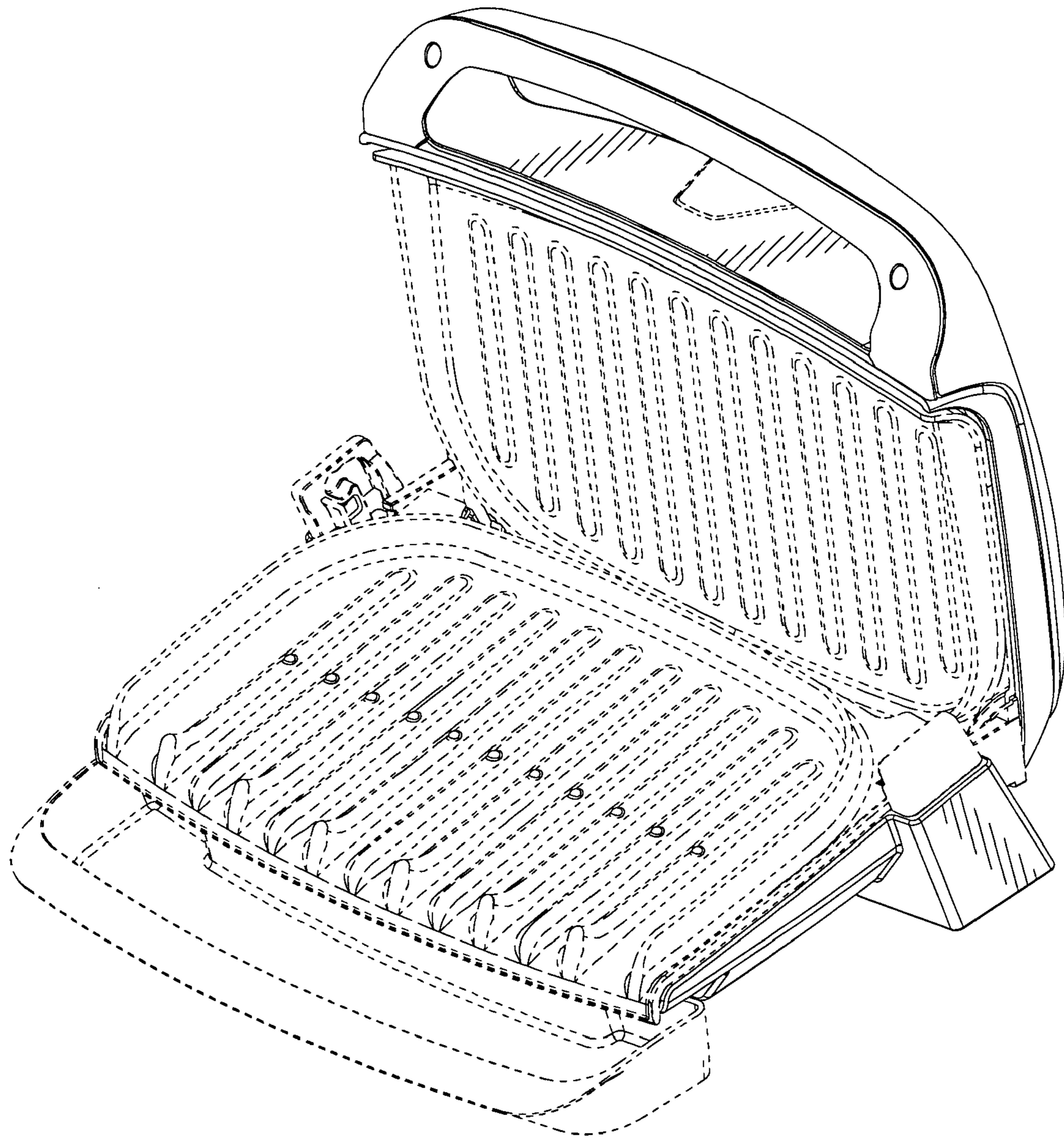


fig. 7