



US00D550025S

(12) **United States Design Patent** (10) **Patent No.:** **US D550,025 S**  
**Chao** (45) **Date of Patent:** **\*\* Sep. 4, 2007**

(54) **COMBINATION FRYER AND ROASTER**

(75) Inventor: **Lingchin Chao**, Dadu Shiang (TW)

(73) Assignee: **Tsann Kuen (China) Enterprise Co., Ltd.**, Xiamen, Fujian (CN)

(\*\*) Term: **14 Years**

(21) Appl. No.: **29/269,694**

(22) Filed: **Dec. 6, 2006**

(51) **LOC (8) Cl.** ..... **07-02**

(52) **U.S. Cl.** ..... **D7/352**

(58) **Field of Classification Search** ..... D7/323,  
D7/328-332, 334-339, 352-363; 99/219,  
99/331, 339-341, 349, 357, 369, 372-375,  
99/385, 386, 389, 424, 425, 444, 446, 466,  
99/601, 618, 620; 219/524, 525, 620-622,  
219/732-734; 220/23.8

See application file for complete search history.

(56) **References Cited**

**U.S. PATENT DOCUMENTS**

D367,993 S *	3/1996	McClellan	.....	D7/352
5,845,562 A *	12/1998	Deni et al.	.....	99/375
5,848,567 A *	12/1998	Chiang	.....	99/375
D409,876 S *	5/1999	Gruaz	.....	D7/352
D413,760 S *	9/1999	Tsai et al.	.....	D7/352
6,016,741 A *	1/2000	Tsai et al.	.....	99/341
D446,074 S *	8/2001	Barker	.....	D7/352
D446,679 S *	8/2001	Lin	.....	D7/352
6,397,733 B1 *	6/2002	Lin	.....	99/375
D462,228 S *	9/2002	Wu	.....	D7/352
D462,229 S *	9/2002	Wu	.....	D7/352
D462,230 S *	9/2002	Wu	.....	D7/352
D462,566 S *	9/2002	Wu	.....	D7/352
D464,230 S *	10/2002	Wu	.....	D7/352
D473,417 S *	4/2003	Martres	.....	D7/352
D475,237 S *	6/2003	Lin	.....	D7/352

D493,663 S *	8/2004	Lin et al.	.....	D7/347
D494,407 S *	8/2004	Lin et al.	.....	D7/347
D511,928 S *	11/2005	Sawhney et al.	.....	D7/352
D521,310 S *	5/2006	Lin	.....	D7/352
D522,306 S *	6/2006	Wilgus et al.	.....	D7/337
D522,802 S *	6/2006	Dreimann et al.	.....	D7/352
D526,153 S *	8/2006	Weiwen	.....	D7/352
D526,154 S *	8/2006	Dreimann et al.	.....	D7/352
D533,392 S *	12/2006	Yeung	.....	D7/352
2005/0139086 A1 *	6/2005	McHutchison	.....	99/389

\* cited by examiner

*Primary Examiner*—Cathron C. Brooks

*Assistant Examiner*—Ricky Pham

(74) *Attorney, Agent, or Firm*—Greer, Burns & Crain, Ltd.

(57) **CLAIM**

The ornamental design for a combination fryer and roaster, as shown and described.

**DESCRIPTION**

FIG. 1 is a top plan view of the present combination fryer and roaster;

FIG. 2 is a bottom plan view thereof;

FIG. 3 is a rear elevational view thereof;

FIG. 4 is a front elevational view thereof;

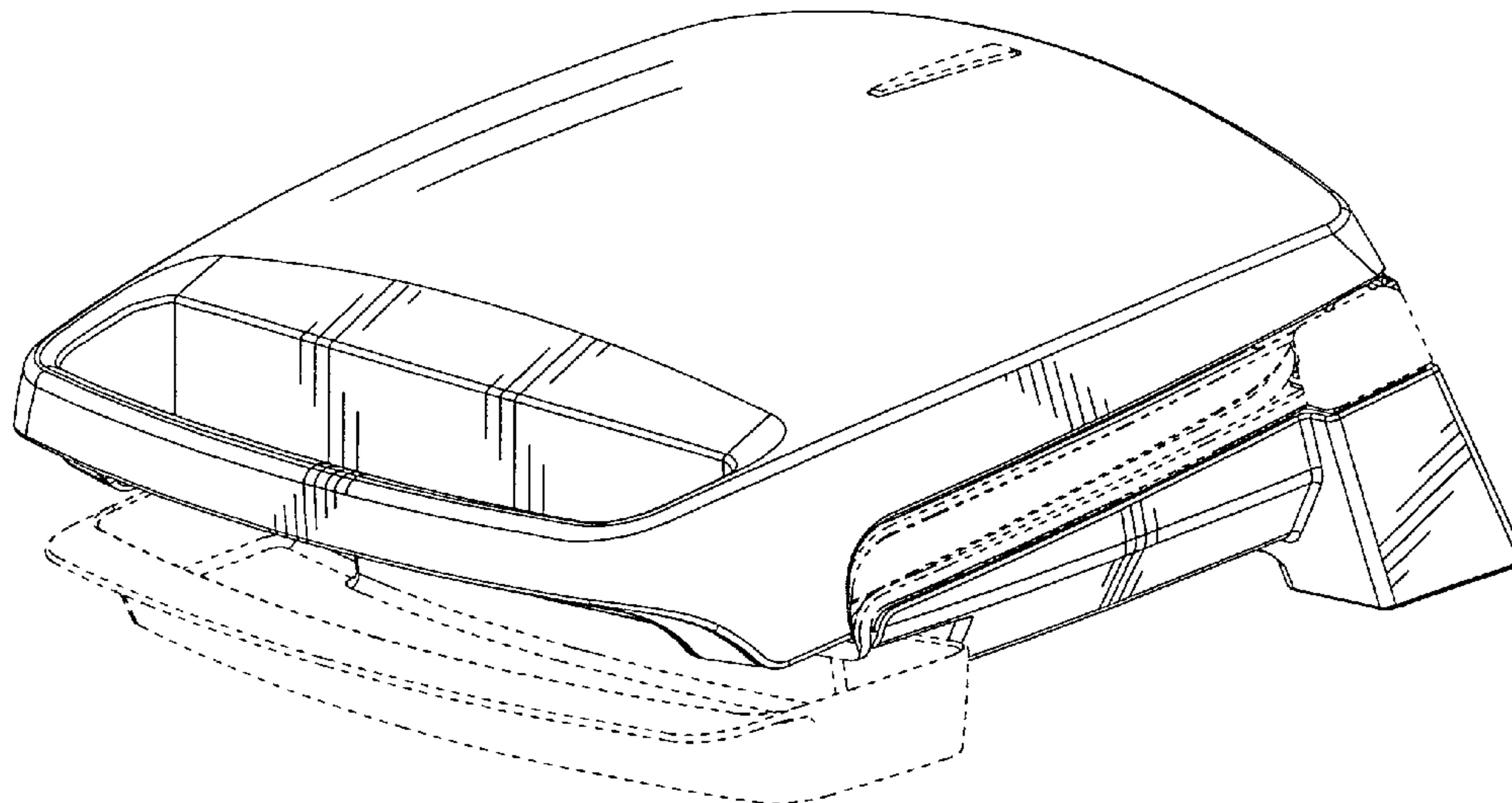
FIG. 5 is a side elevational view thereof, the opposite side being a mirror image;

FIG. 6 is an isometric view of the present combination fryer and roaster in a closed position; and,

FIG. 7 is an isometric view of the present combination fryer and roaster shown in an opened position.

The subject matter in broken lines is provided for environmental purposes only and is not considered part of the claimed invention.

**1 Claim, 5 Drawing Sheets**



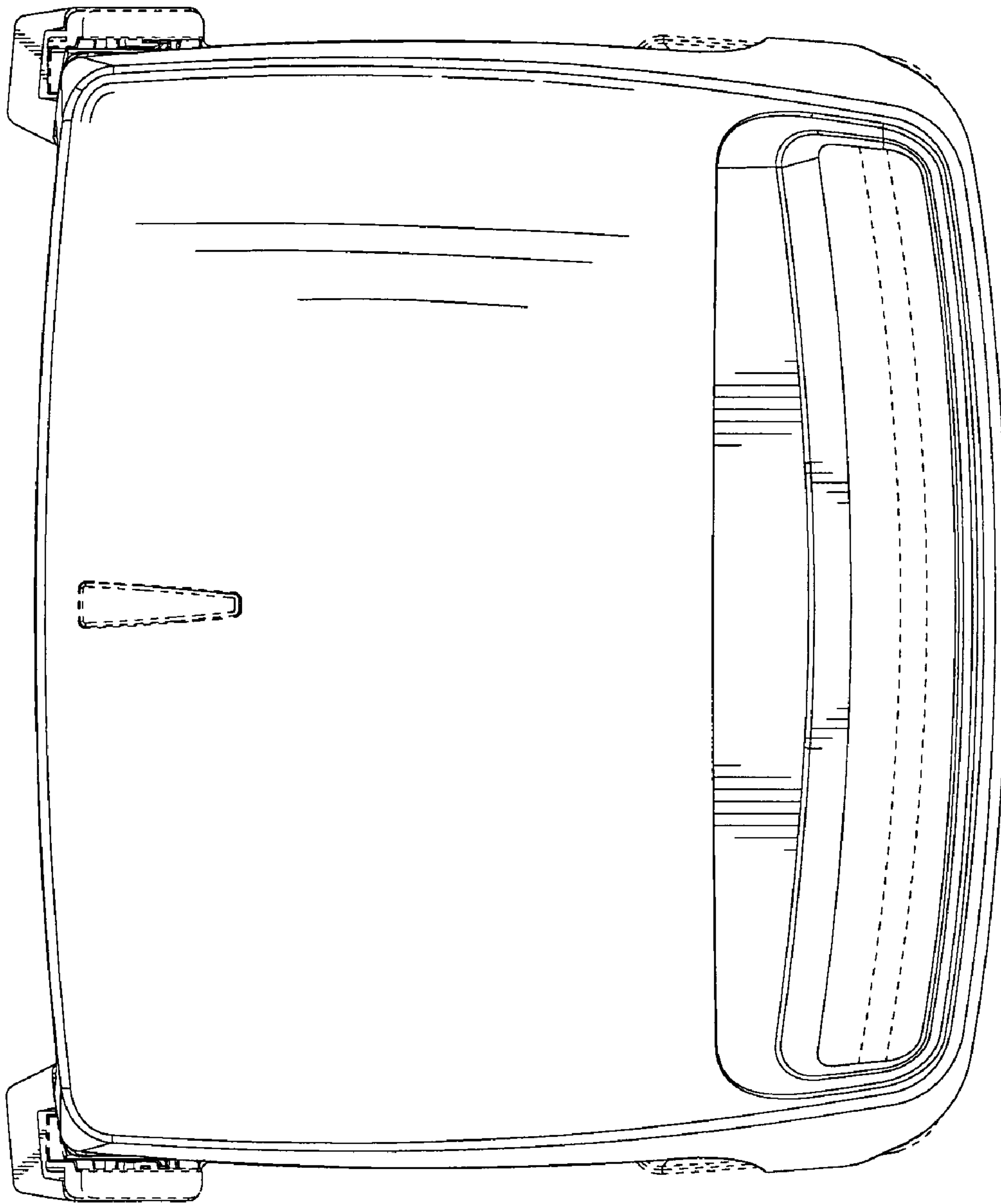


fig. 1

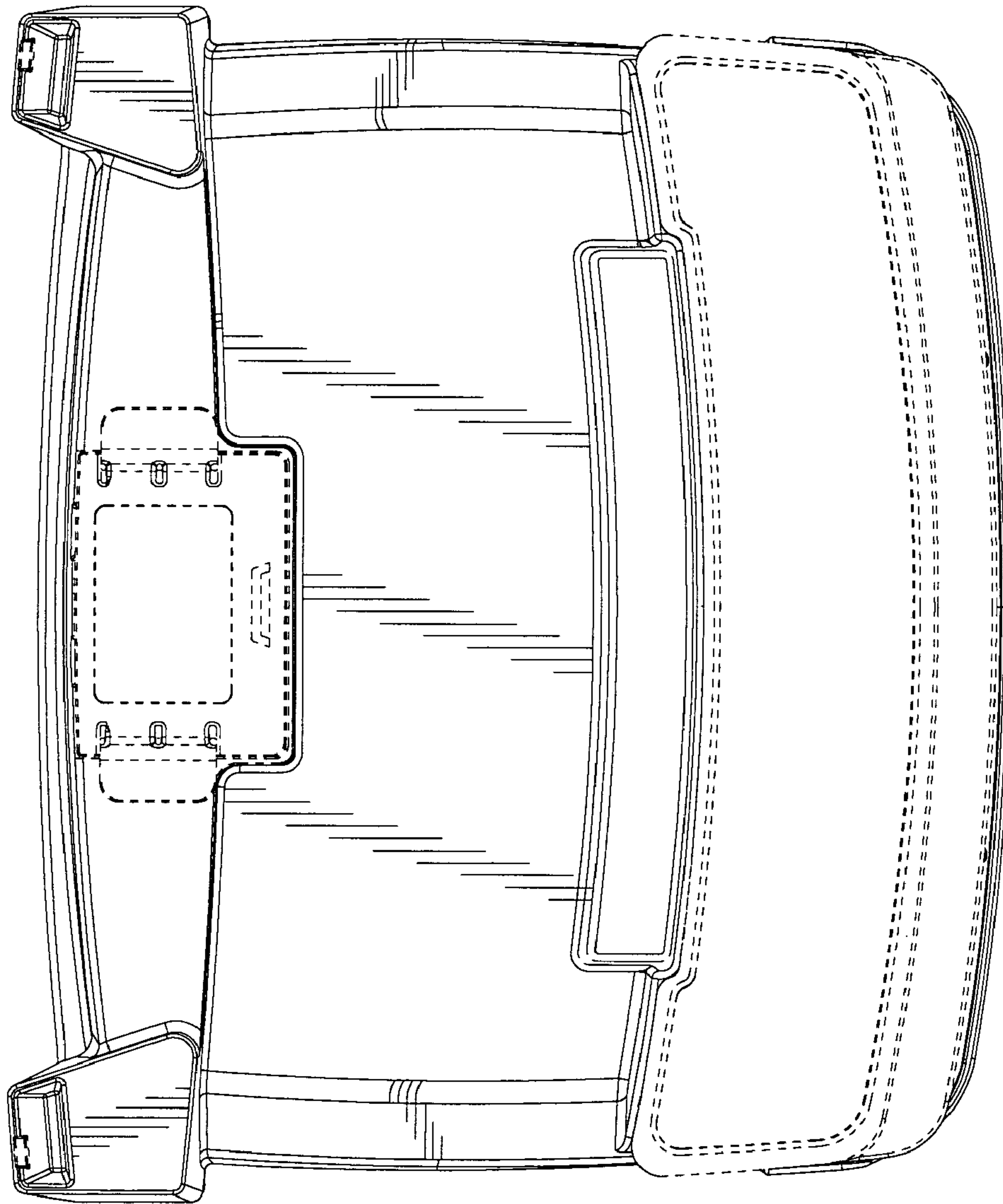


fig. 2

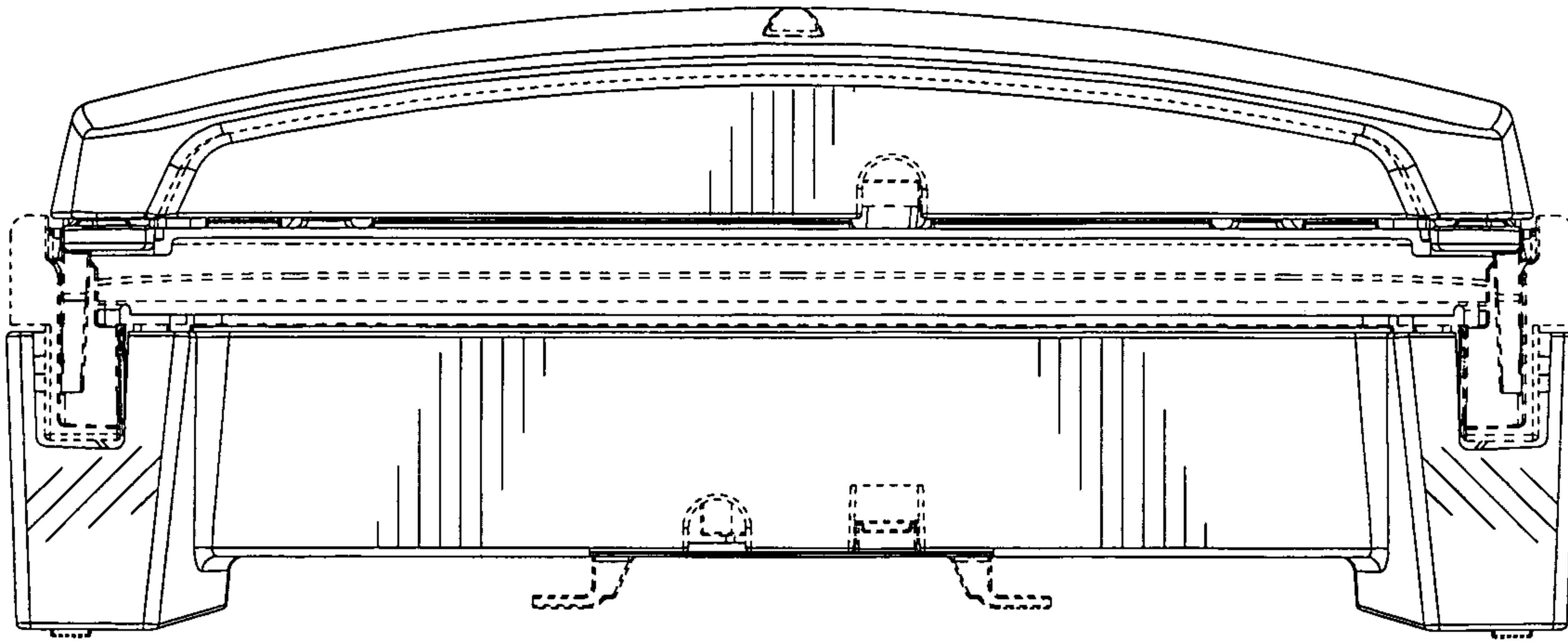


fig. 3

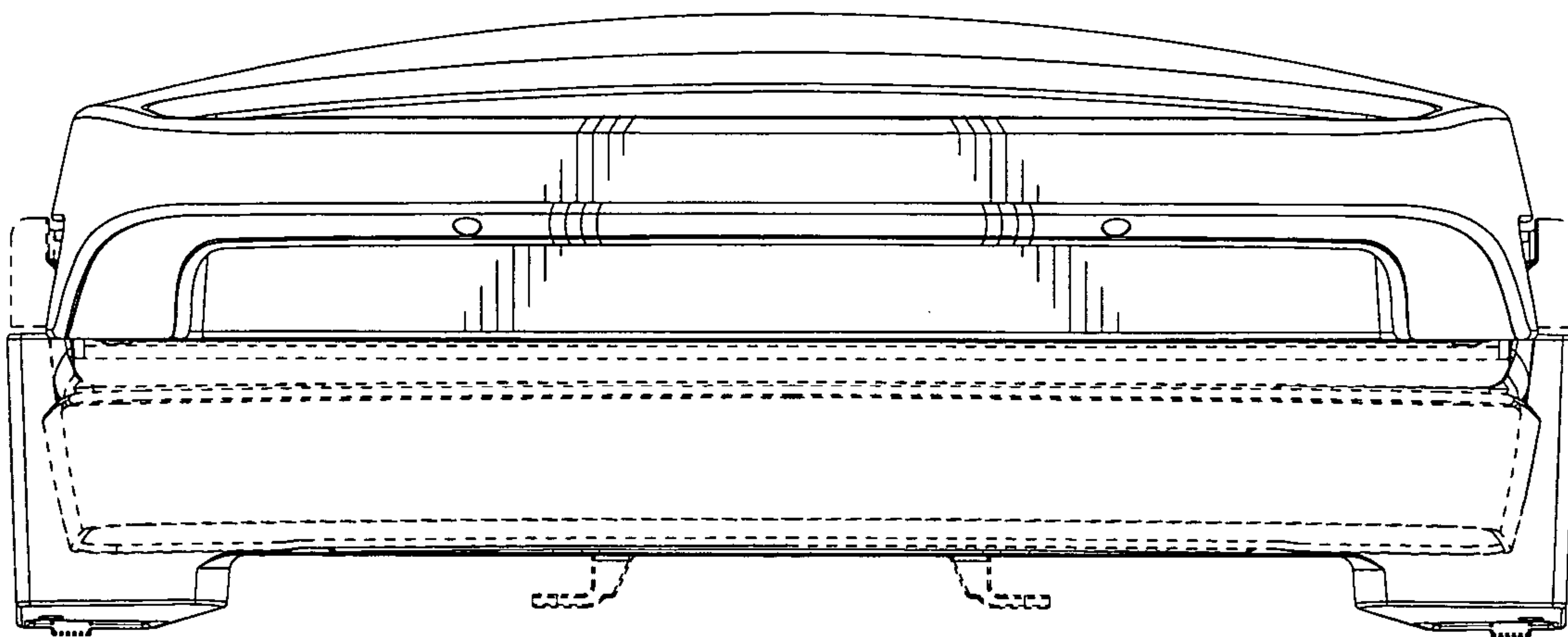


fig. 4



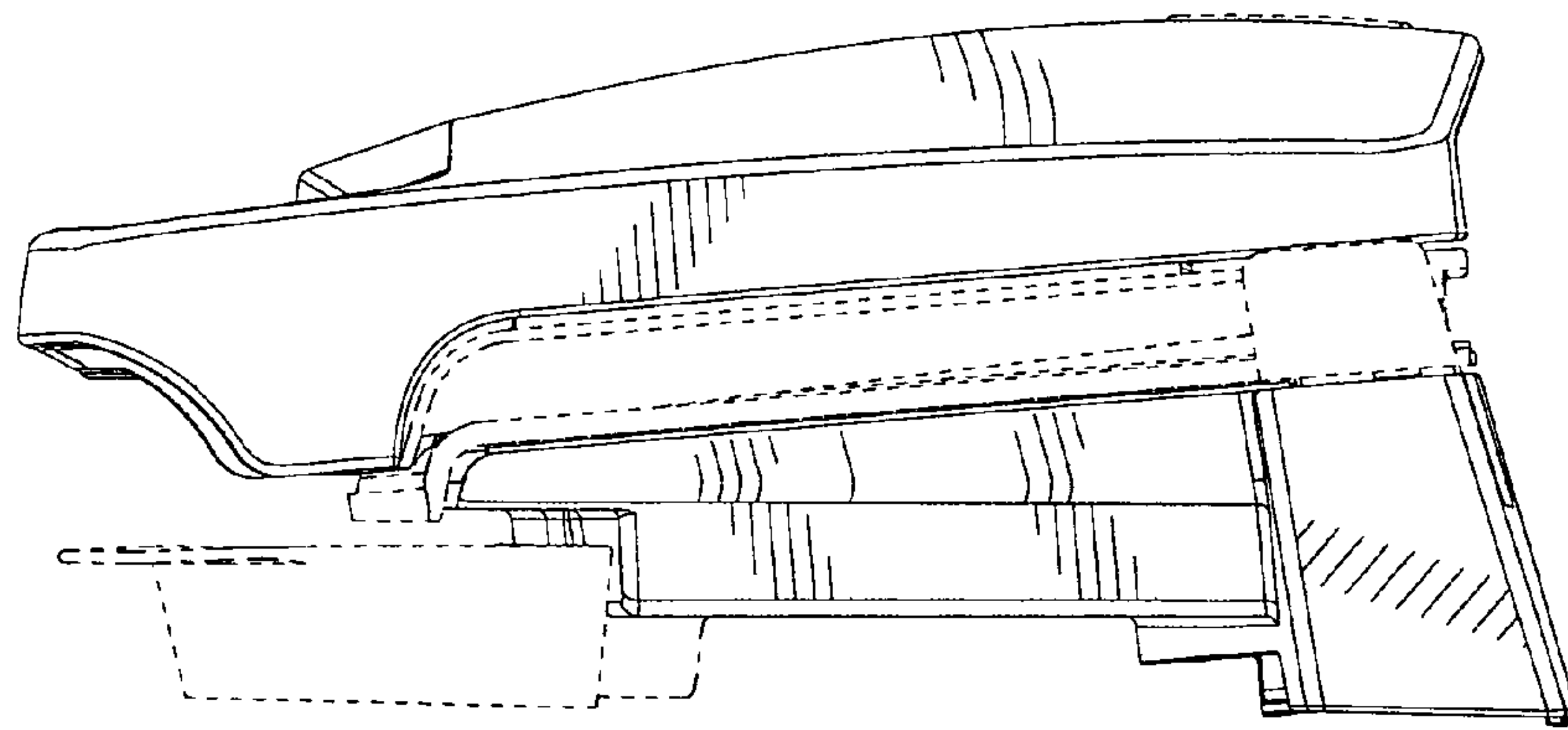


fig. 5

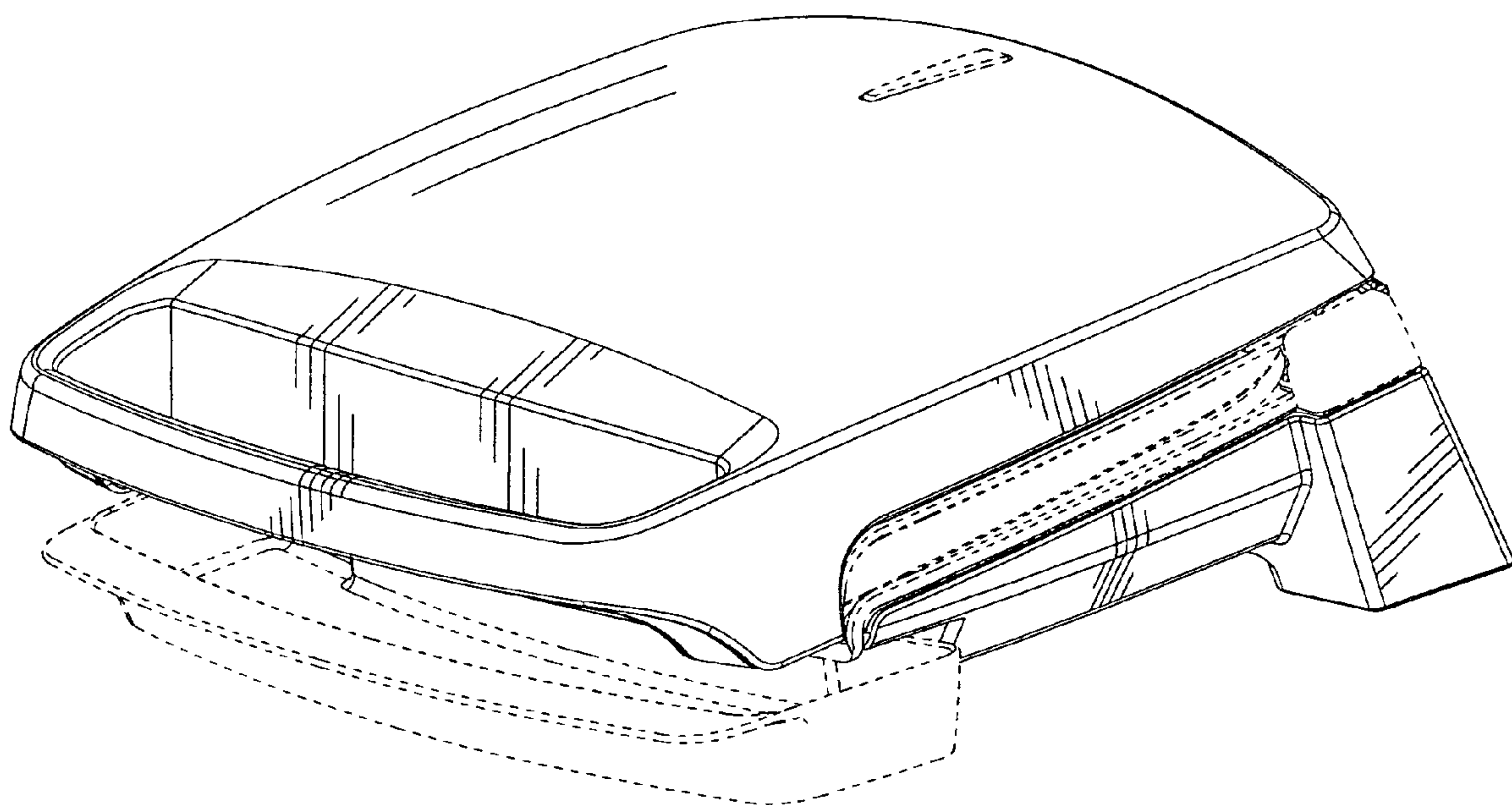


fig. 6

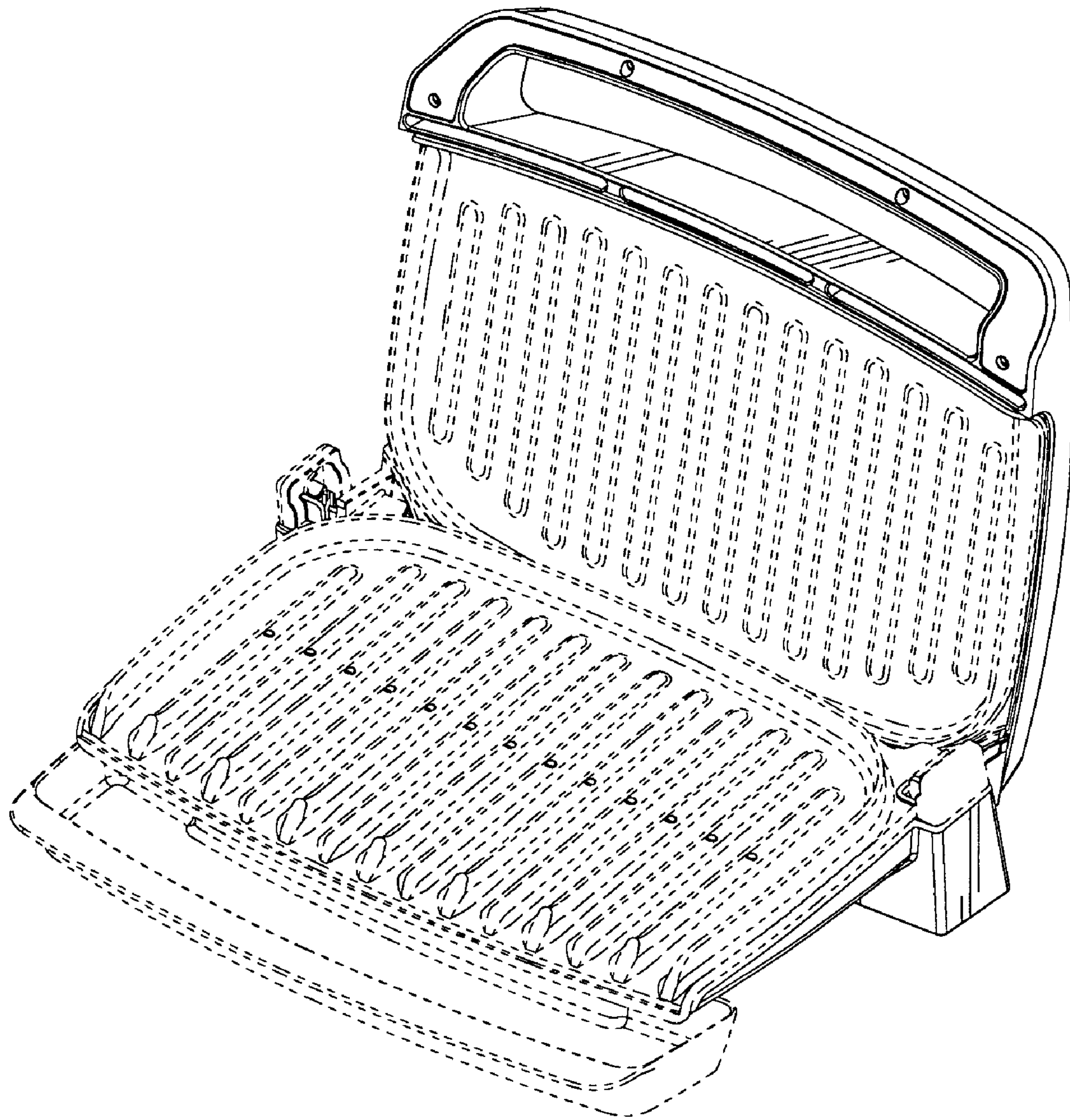


fig. 7