



US00D550024S

(12) **United States Design Patent**  
**Jeon**

(10) **Patent No.:** **US D550,024 S**

(45) **Date of Patent:** **\*\* Sep. 4, 2007**

(54) **ELECTRONIC OVEN**

D522,801 S \* 6/2006 Lee ..... D7/351

(75) Inventor: **Sei-II Jeon**, Seoul (KR)

(73) Assignee: **Samsung Electronics Co., Ltd.**,  
Kyunggi-do (KR)

(\*\*) Term: **14 Years**

(21) Appl. No.: **29/266,195**

(22) Filed: **Sep. 15, 2006**

(51) **LOC (8) Cl.** ..... **07-02**

(52) **U.S. Cl.** ..... **D7/350.1**

(58) **Field of Classification Search** ..... D7/350.1,  
D7/350.3, 350.4, 351, 402-403, 405-406;  
126/19 M, 275 E, 273 A; 219/756-758,  
219/391, 402, 393; 99/DIG. 14

See application file for complete search history.

(56) **References Cited**

**U.S. PATENT DOCUMENTS**

D88,150 S *	11/1932	Hobson	.....	D7/405
D371,039 S *	6/1996	Matoba et al.	.....	D7/351
D439,468 S *	3/2001	Kim	.....	D7/351
D442,820 S *	5/2001	Kim	.....	D7/351
D452,410 S *	12/2001	Ichimura	.....	D7/351
D477,964 S *	8/2003	Kanza	.....	D7/351

**OTHER PUBLICATIONS**

U.S. Appl. No. 29/266,196, Applicant: Sei-II Jeon filed Sep. 15, 2006 entitled Electronic Oven.

U.S. Appl. No. 29/266,202, Applicant: Sei-II Jeon filed Sep. 15, 2006 entitled Electronic Oven.

\* cited by examiner

*Primary Examiner*—Ruth McInroy

(74) *Attorney, Agent, or Firm*—Flynn, Thiel, Boutell & Tanis, P.C.

(57) **CLAIM**

I claim the ornamental design for an electronic oven, as shown and described.

**DESCRIPTION**

FIG. 1 is a top front perspective view of an electronic oven showing our new design;

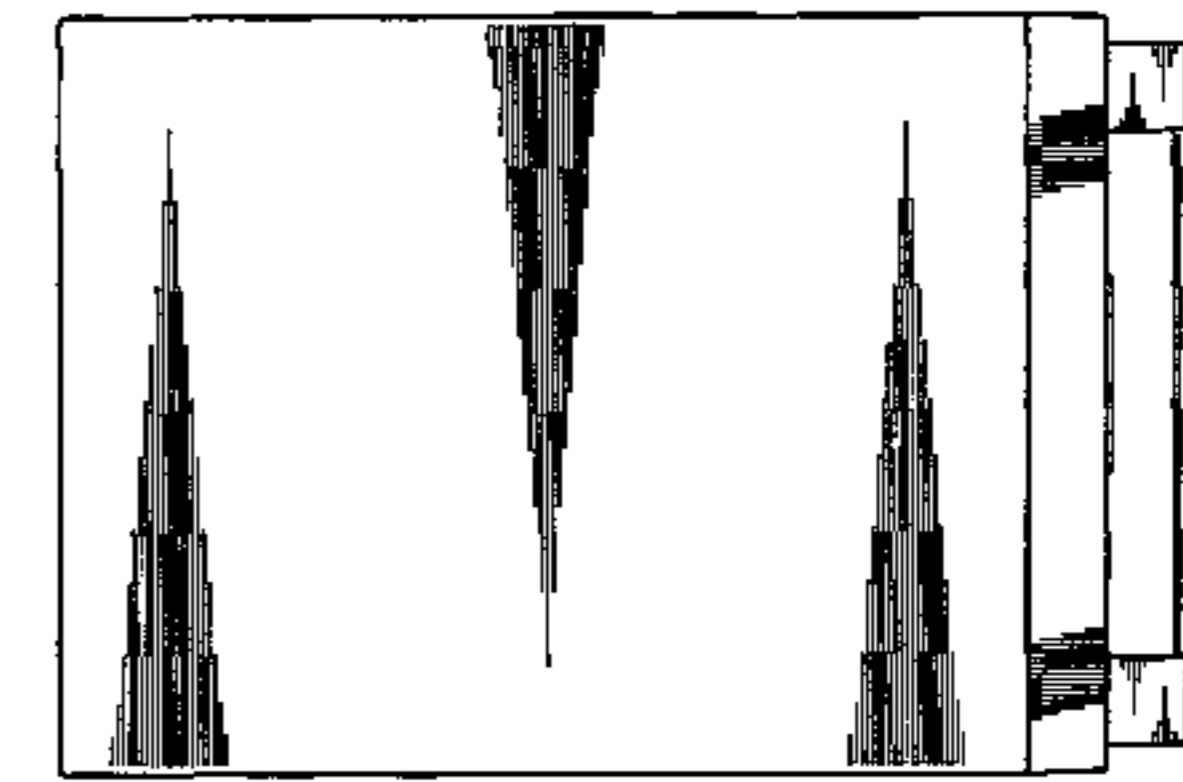
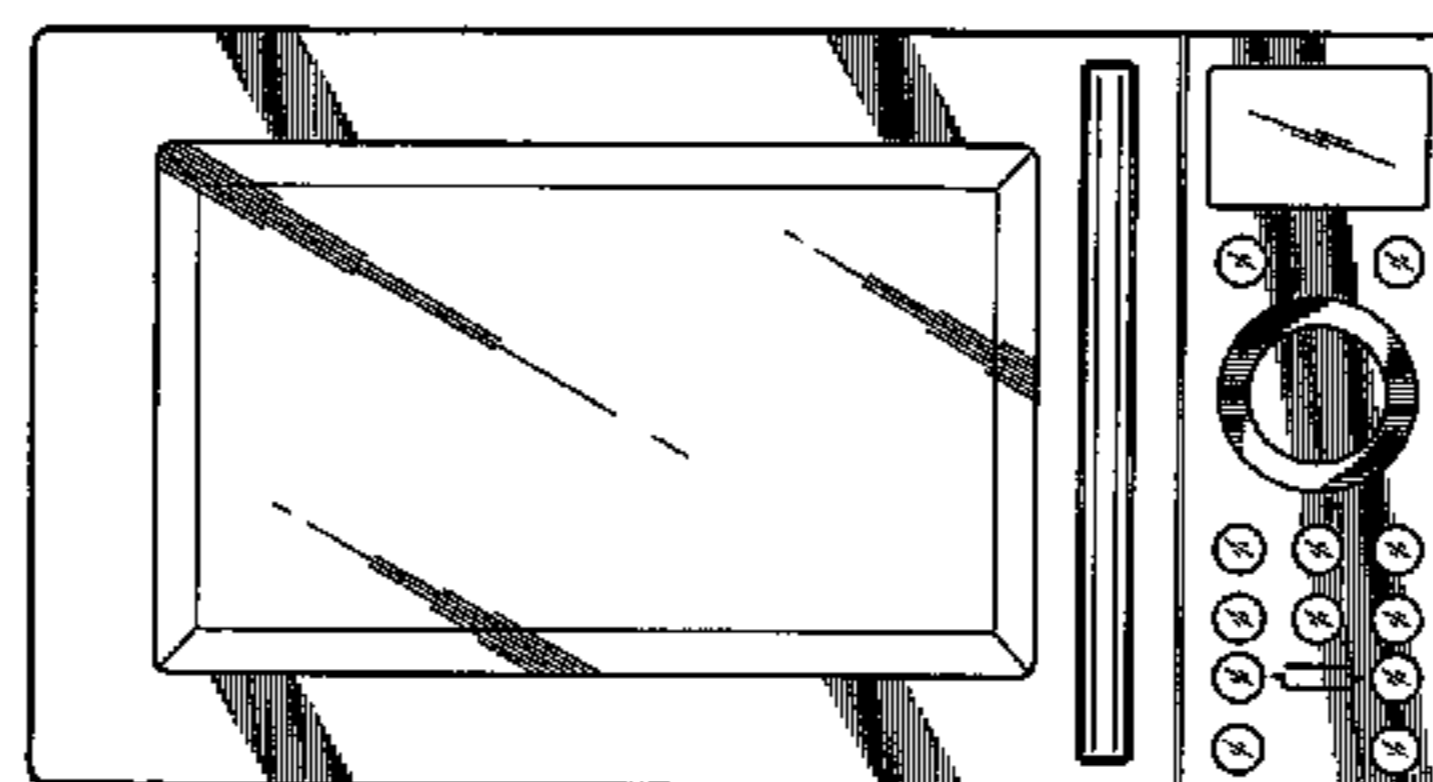
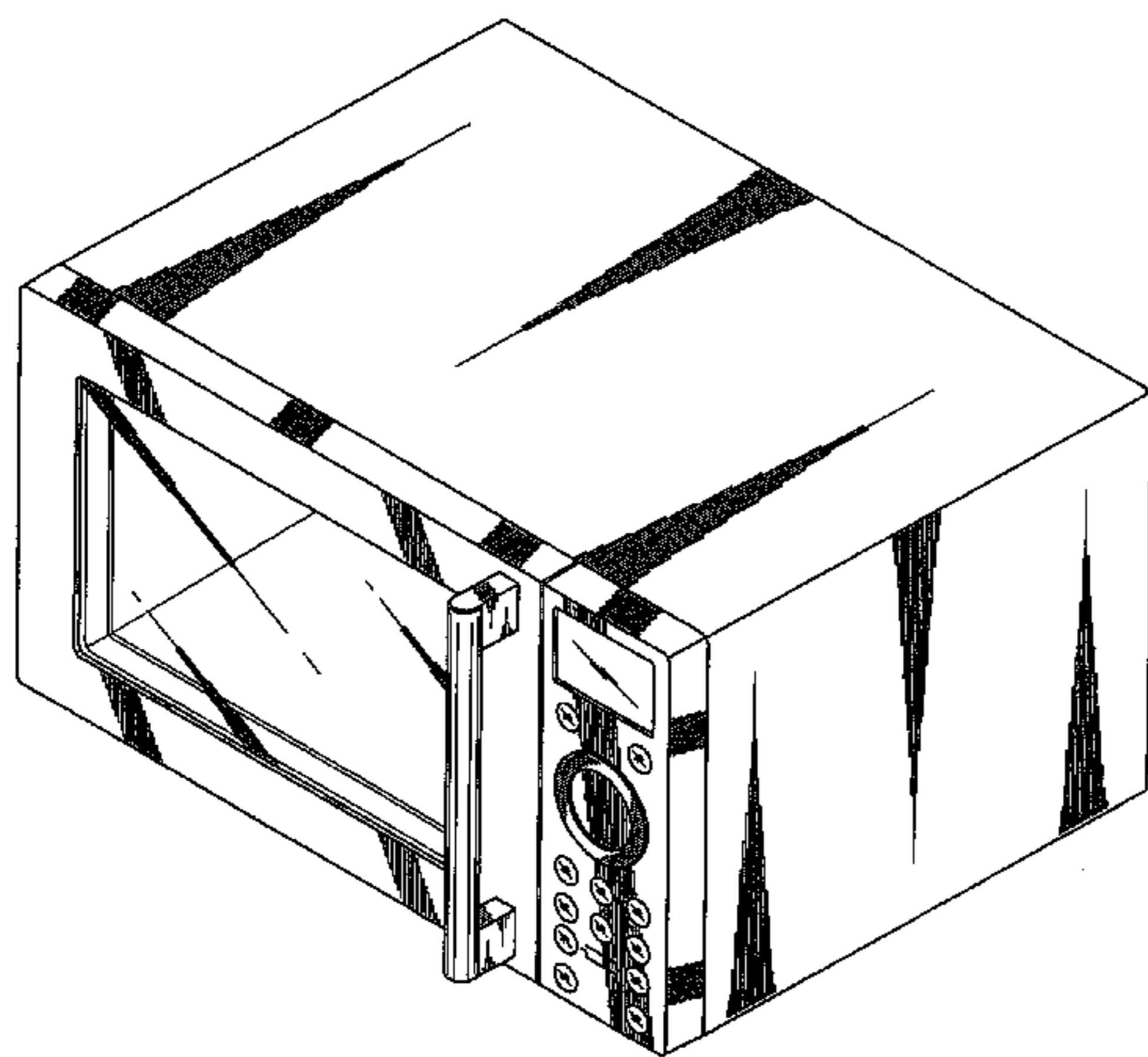
FIG. 2 is a front elevational view thereof;

FIG. 3 is a rear elevational view thereof;

FIG. 4 is a left side elevational view thereof, the right side being a mirror image; and,

FIG. 5 is a top plan view thereof.

**1 Claim, 3 Drawing Sheets**



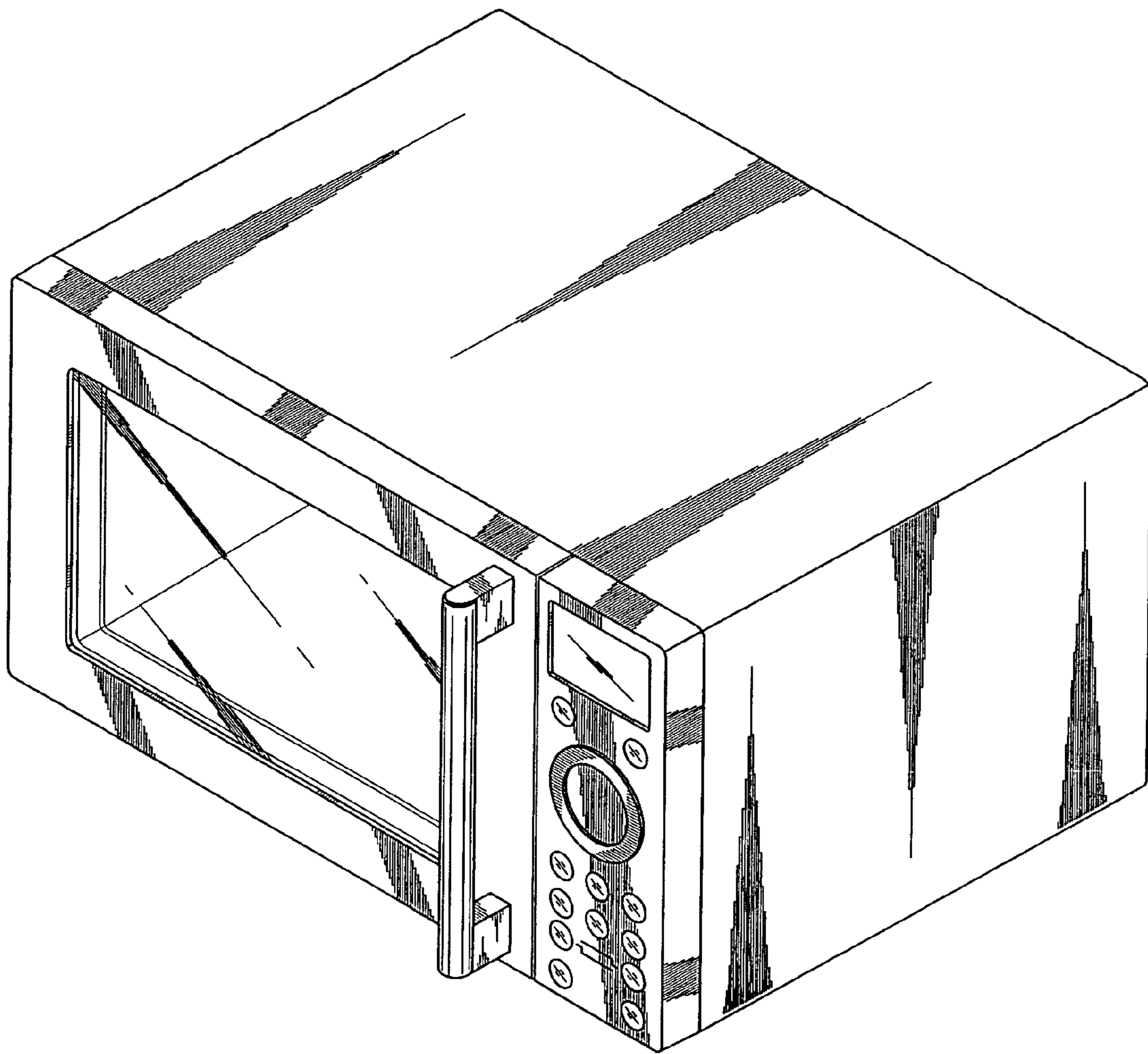


FIG. 1

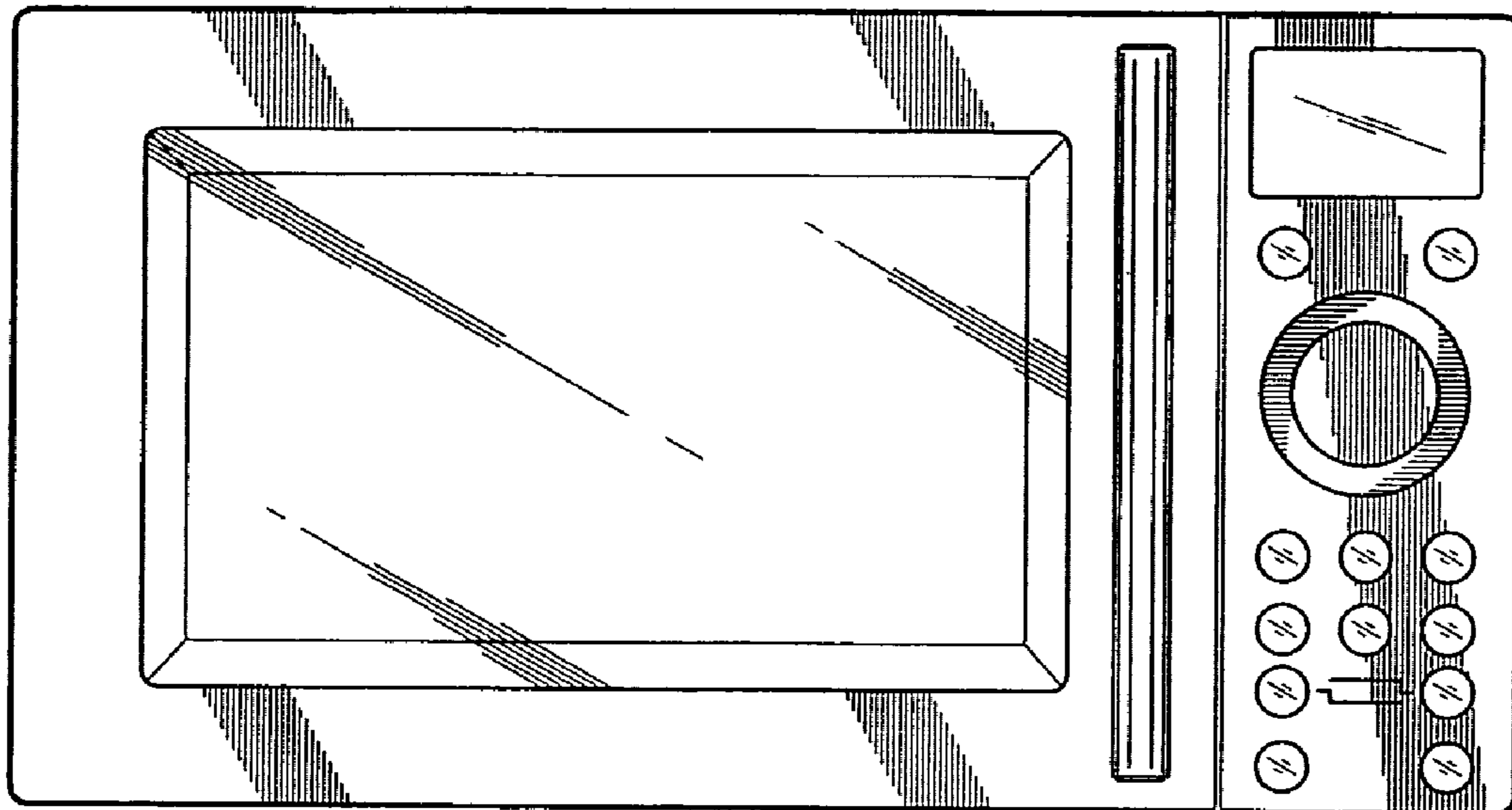


FIG. 2

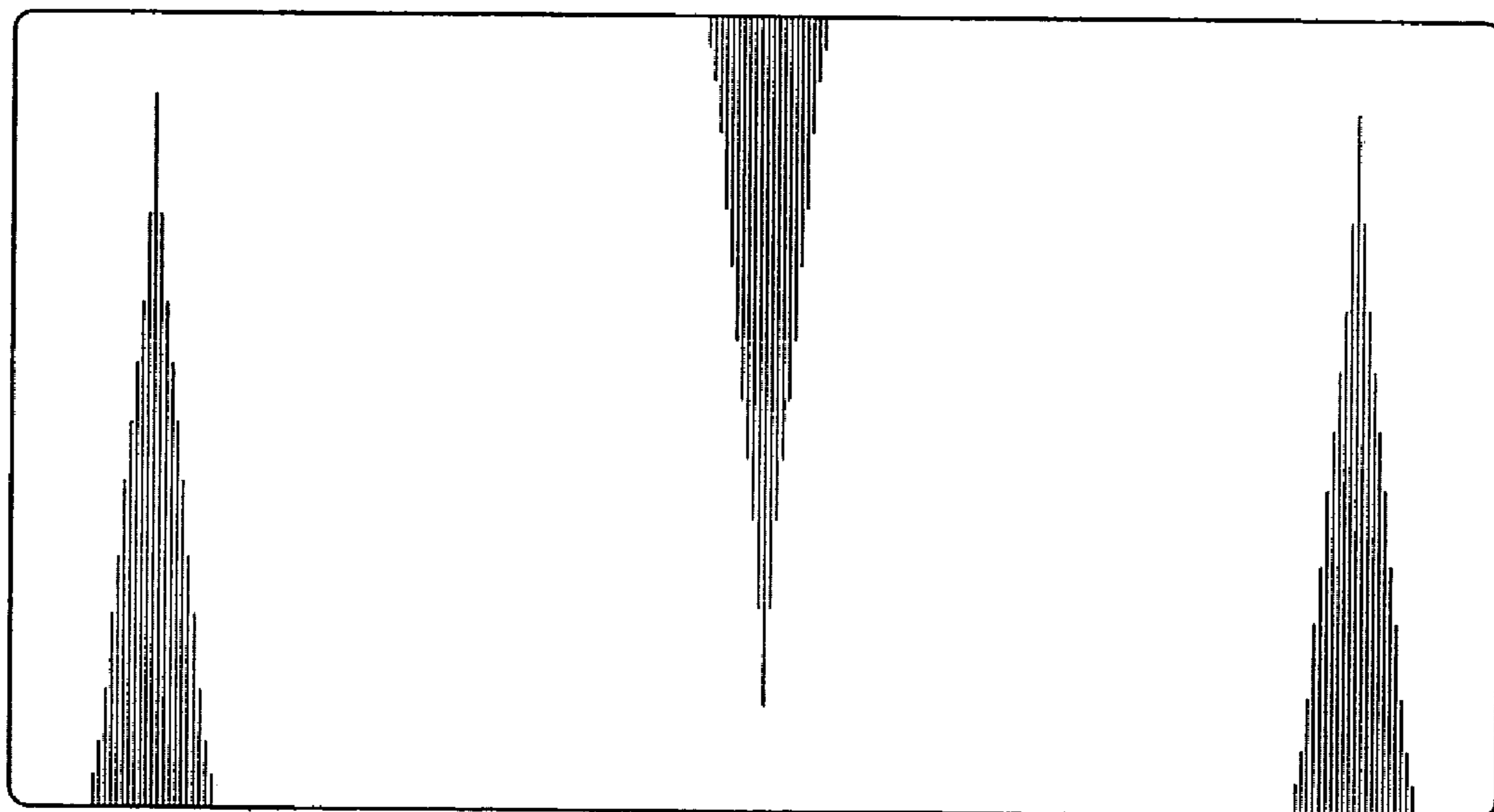


FIG. 3

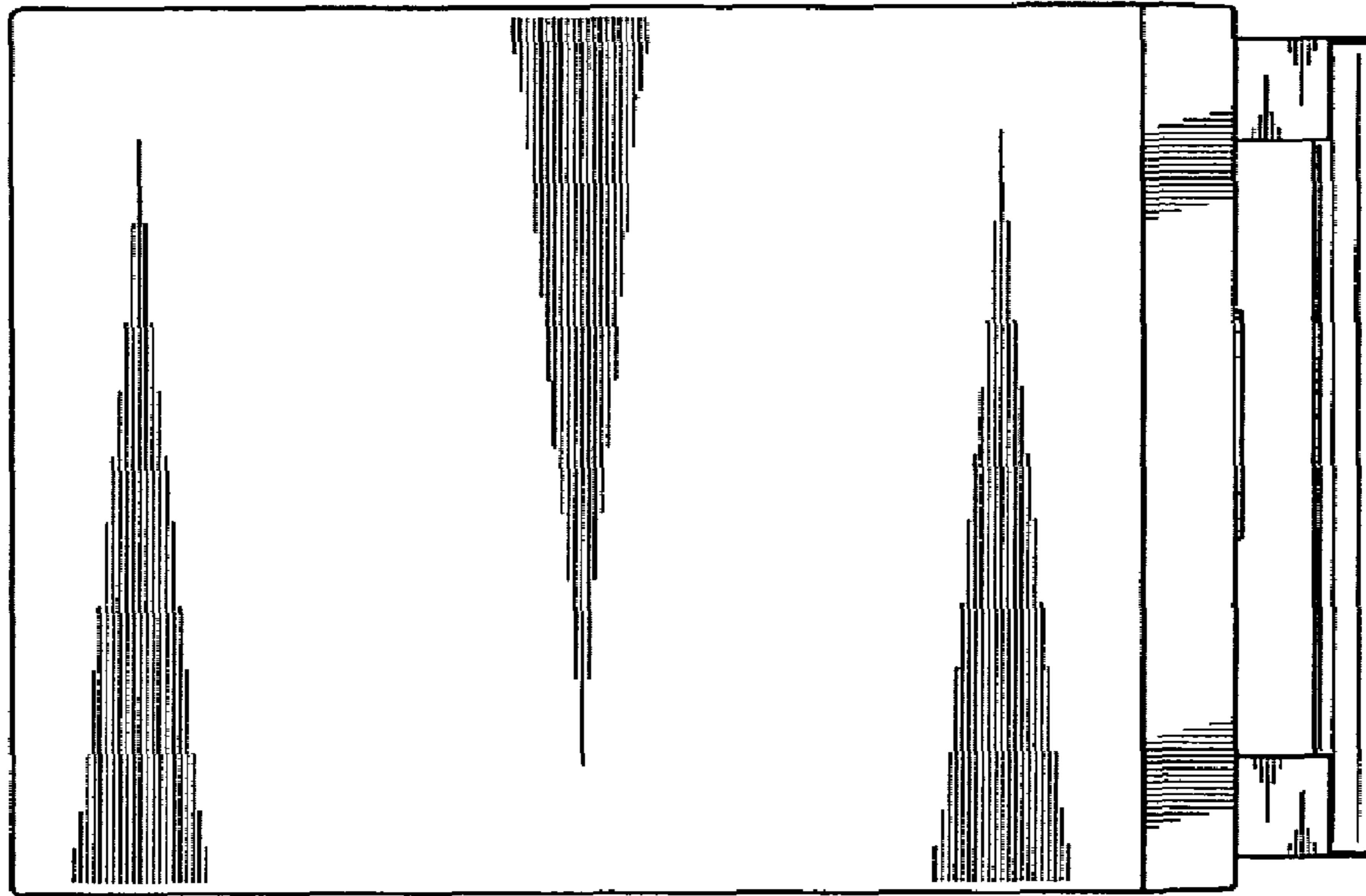


FIG. 4

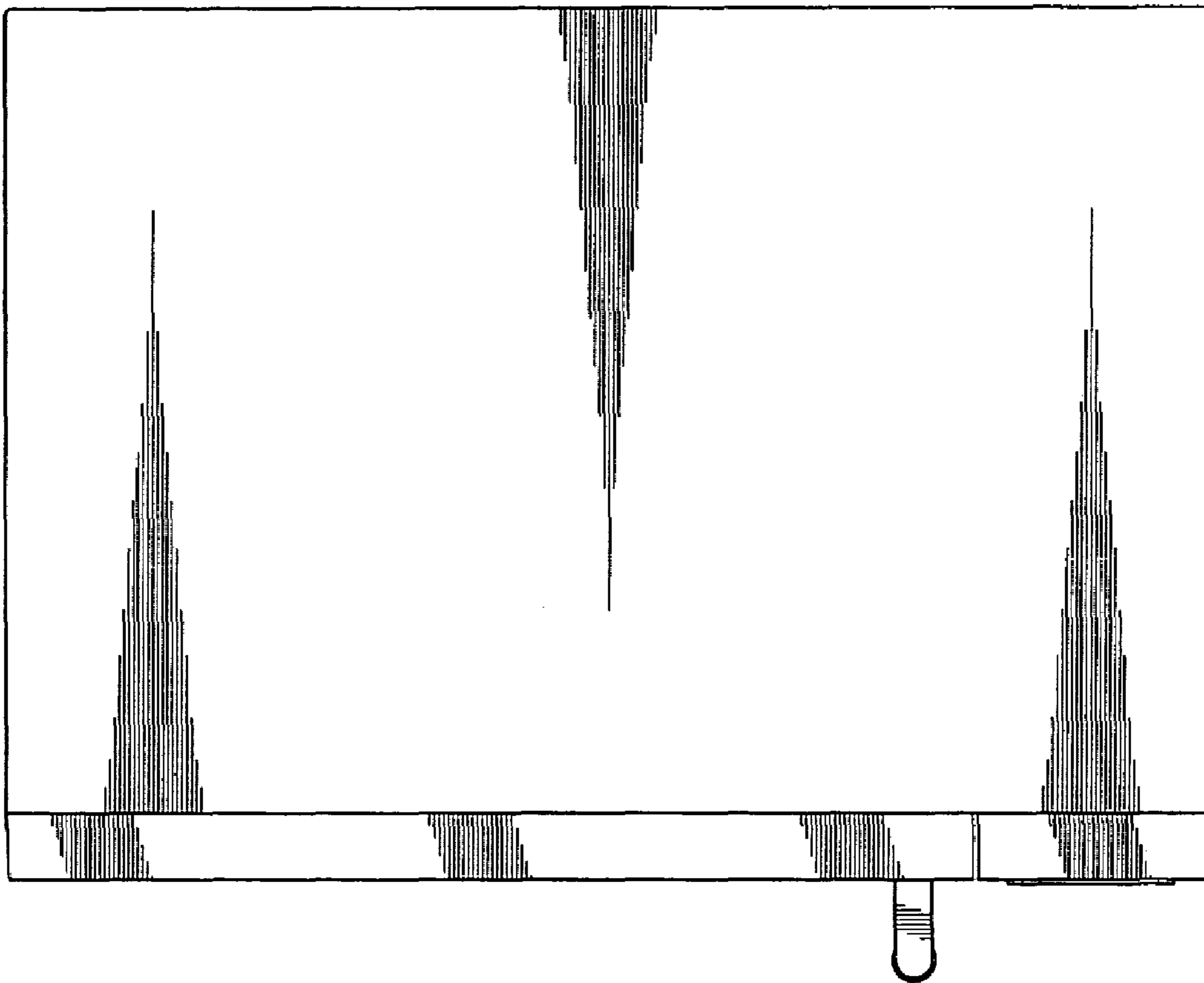


FIG. 5