



US00D550023S

(12) **United States Design Patent**
Chung

(10) **Patent No.:** **US D550,023 S**

(45) **Date of Patent:** **** Sep. 4, 2007**

(54) **BARBECUE GRILL**

(76) Inventor: **Kiosky Chung**, 8F-1, No. 497,
Jhongming S. Rd., West District,
Taichung City 403 (TW)

(**) Term: **14 Years**

(21) Appl. No.: **29/247,306**

(22) Filed: **Jun. 9, 2006**

(51) **LOC (8) Cl.** **07-02**

(52) **U.S. Cl.** **D7/334**

(58) **Field of Classification Search** D23/343,
D23/345, 348, 350; D7/332-337, 402-405;
126/25 A, 25 AA, 25 R, 9 R, 9 B, 38, 37 R,
126/41 R, 40, 50, 12, 276, 8, 304 R; 99/481-482;
312/249.13, 249.8, 351.2

See application file for complete search history.

(56) **References Cited**

U.S. PATENT DOCUMENTS

- D468,954 S * 1/2003 Pai D7/334
- D469,650 S * 2/2003 Pai D7/334
- D472,422 S * 4/2003 Pai D7/334
- D474,063 S * 5/2003 Eisinger et al. D7/334
- D479,430 S * 9/2003 Chung D7/334

- D480,595 S * 10/2003 Pai D7/334
- D483,215 S * 12/2003 Eisinger et al. D7/334
- D508,363 S * 8/2005 Chung D7/334

* cited by examiner

Primary Examiner—Ruth McInroy
(74) *Attorney, Agent, or Firm*—Alan Kamrath; Kamrath &
Associates PA

(57) **CLAIM**

I claim the ornamental design for a barbecue grill, as shown and described.

DESCRIPTION

FIG. 1 is the perspective view of a barbecue grill showing my new design;

FIG. 2 is the front elevational view thereof;

FIG. 3 is the rear elevational view thereof;

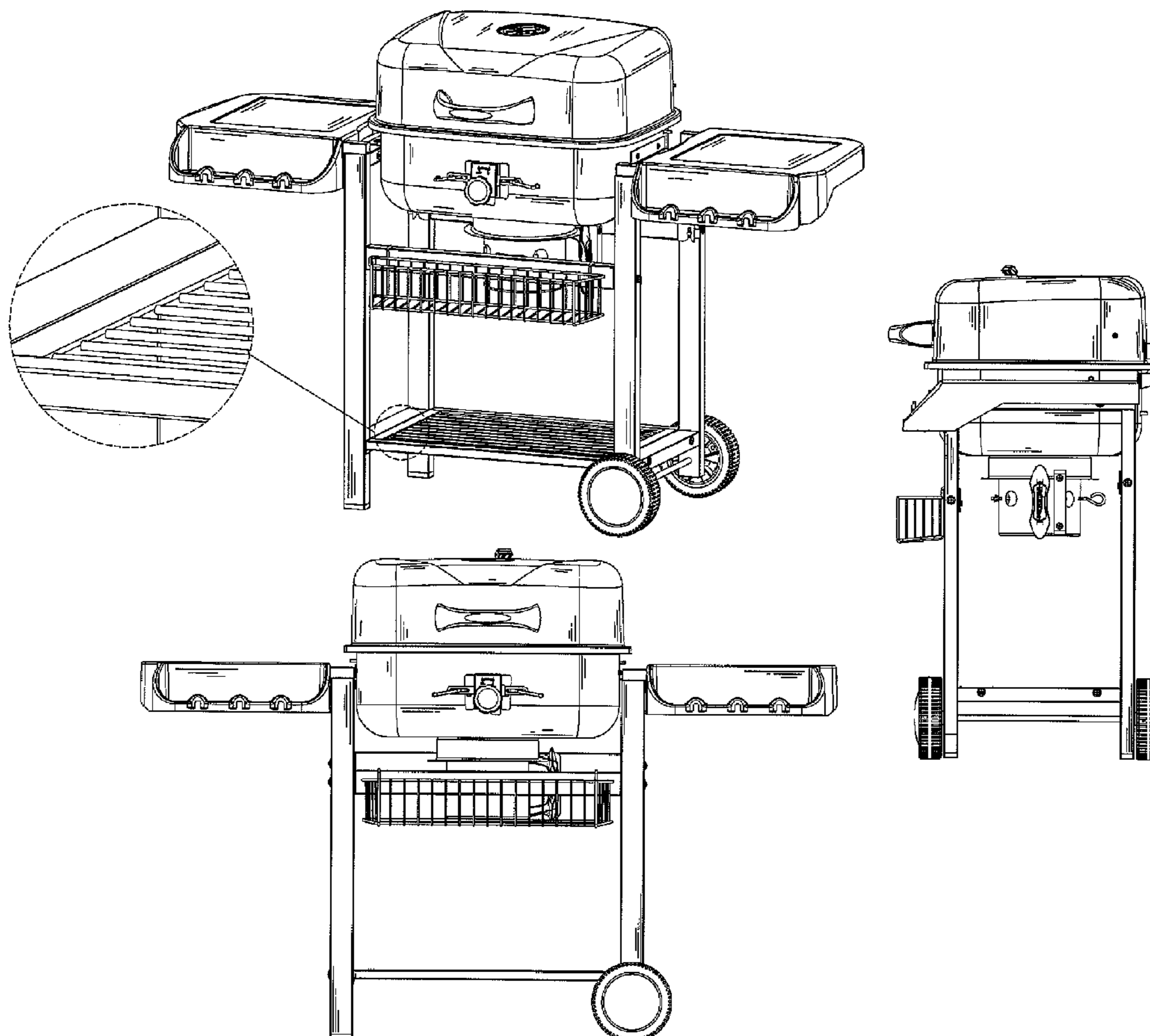
FIG. 4 is the left side elevational view thereof;

FIG. 5 is the right side elevational view thereof;

FIG. 6 is the top plan view thereof; and,

FIG. 7 is the bottom plan view thereof.

1 Claim, 7 Drawing Sheets



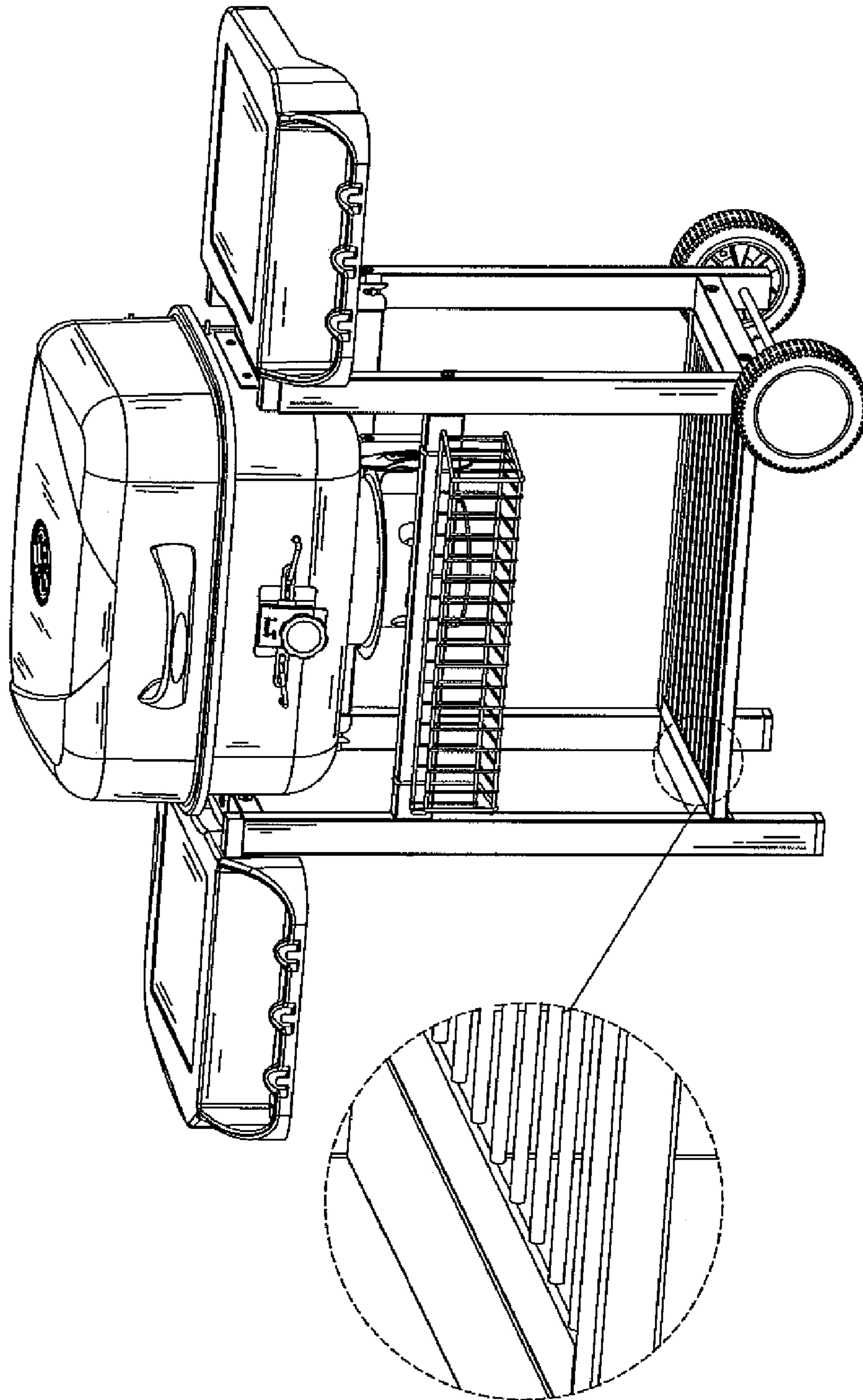


Fig. 1

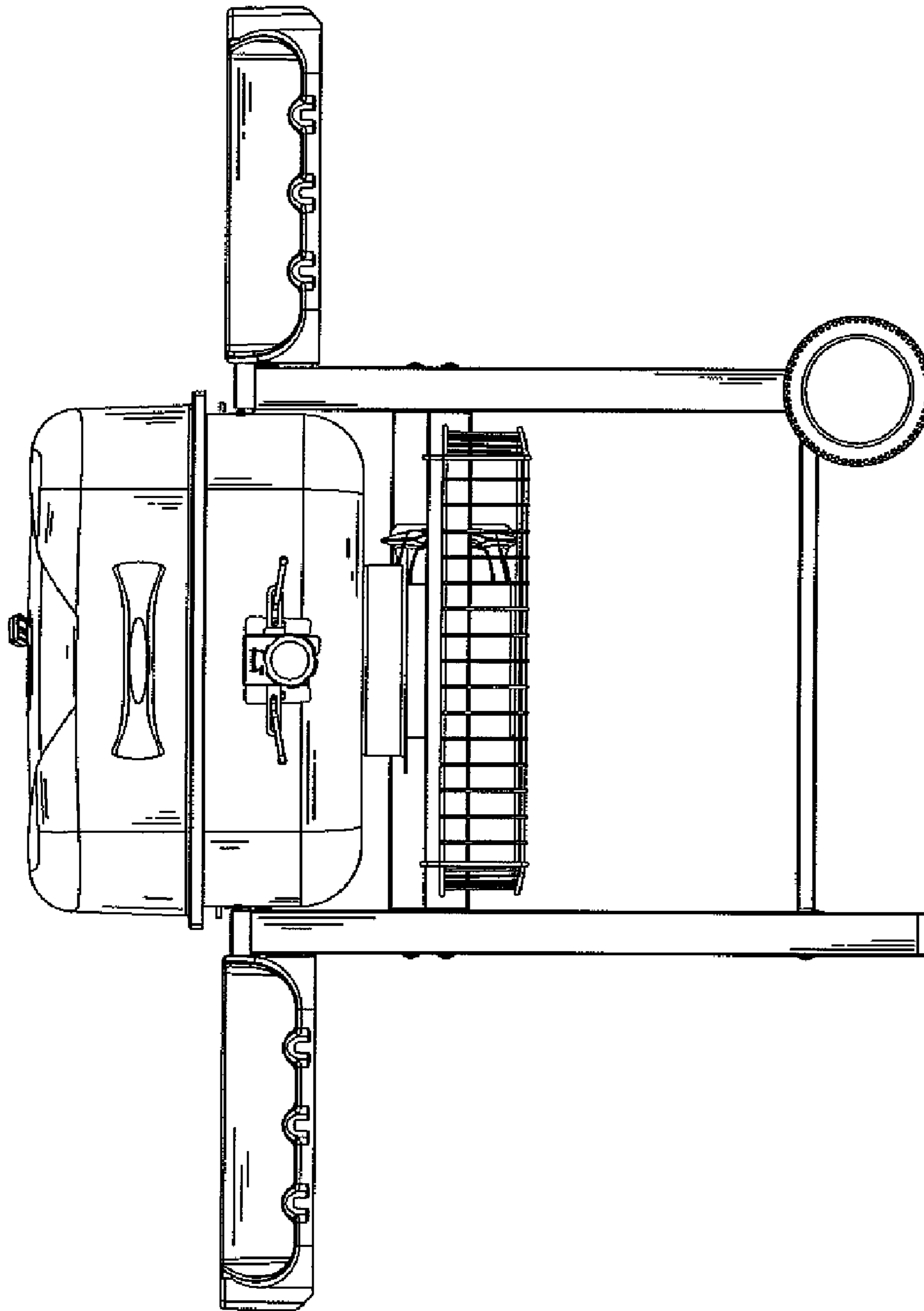


Fig. 2

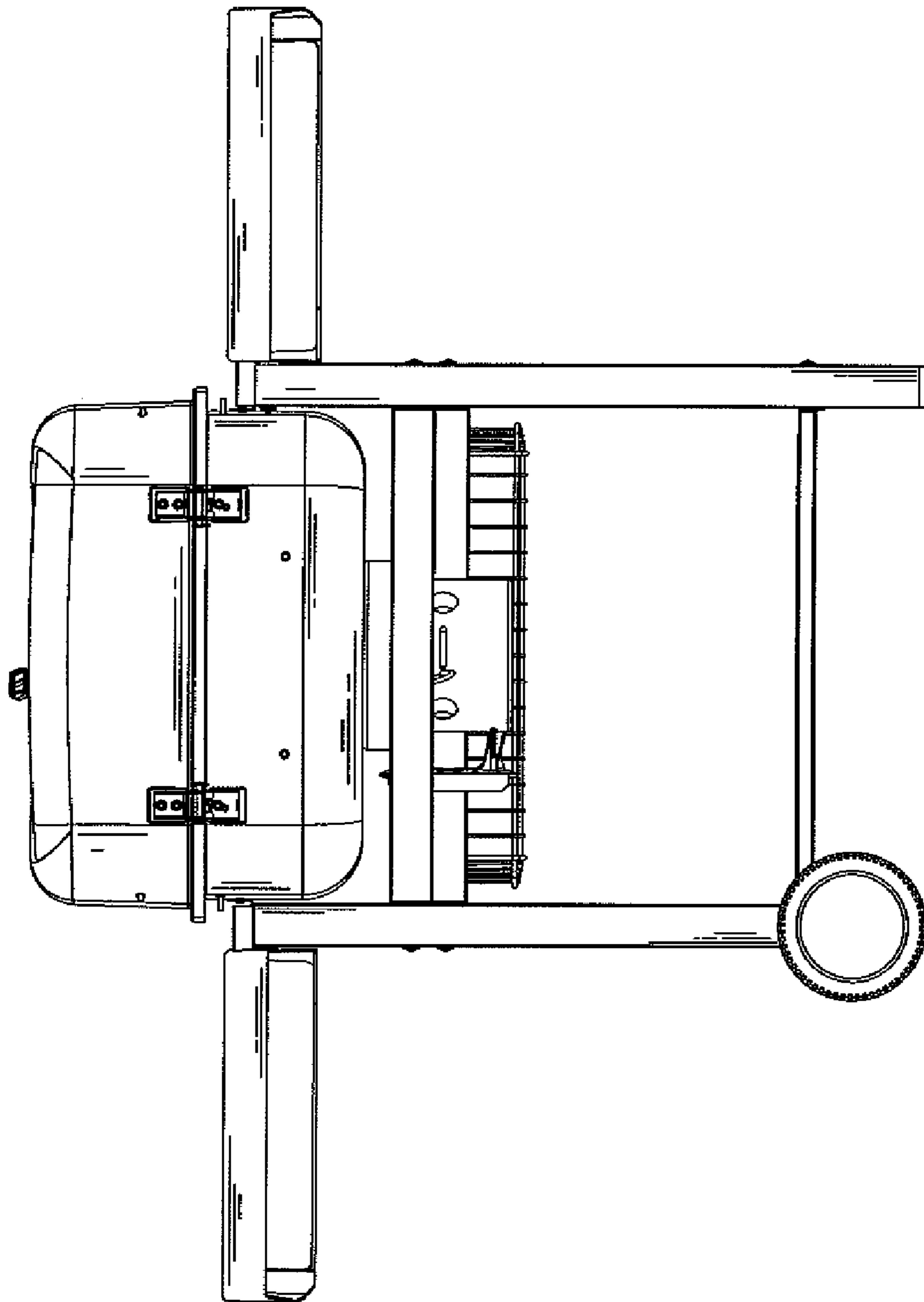


Fig. 3

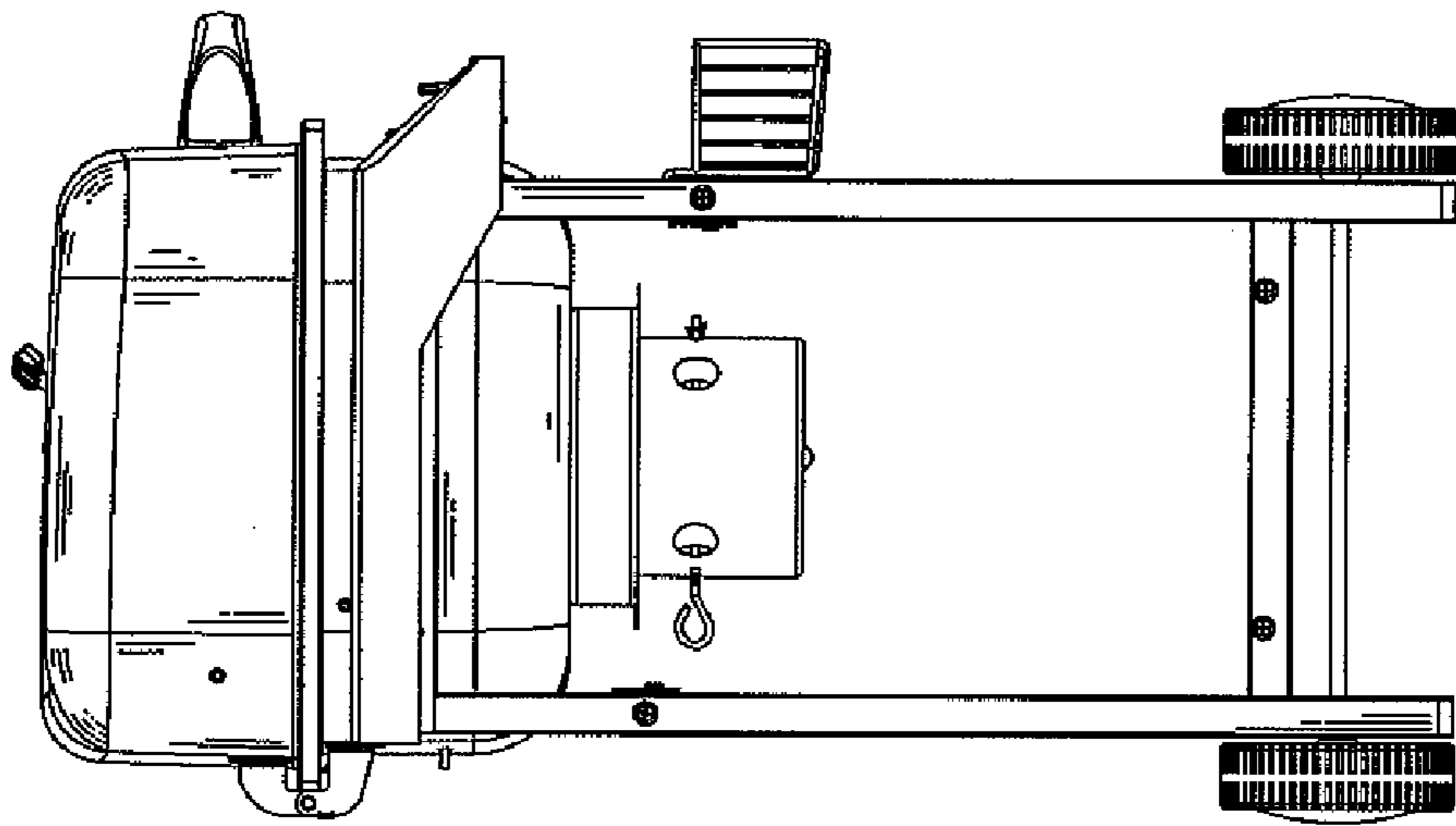


Fig. 4

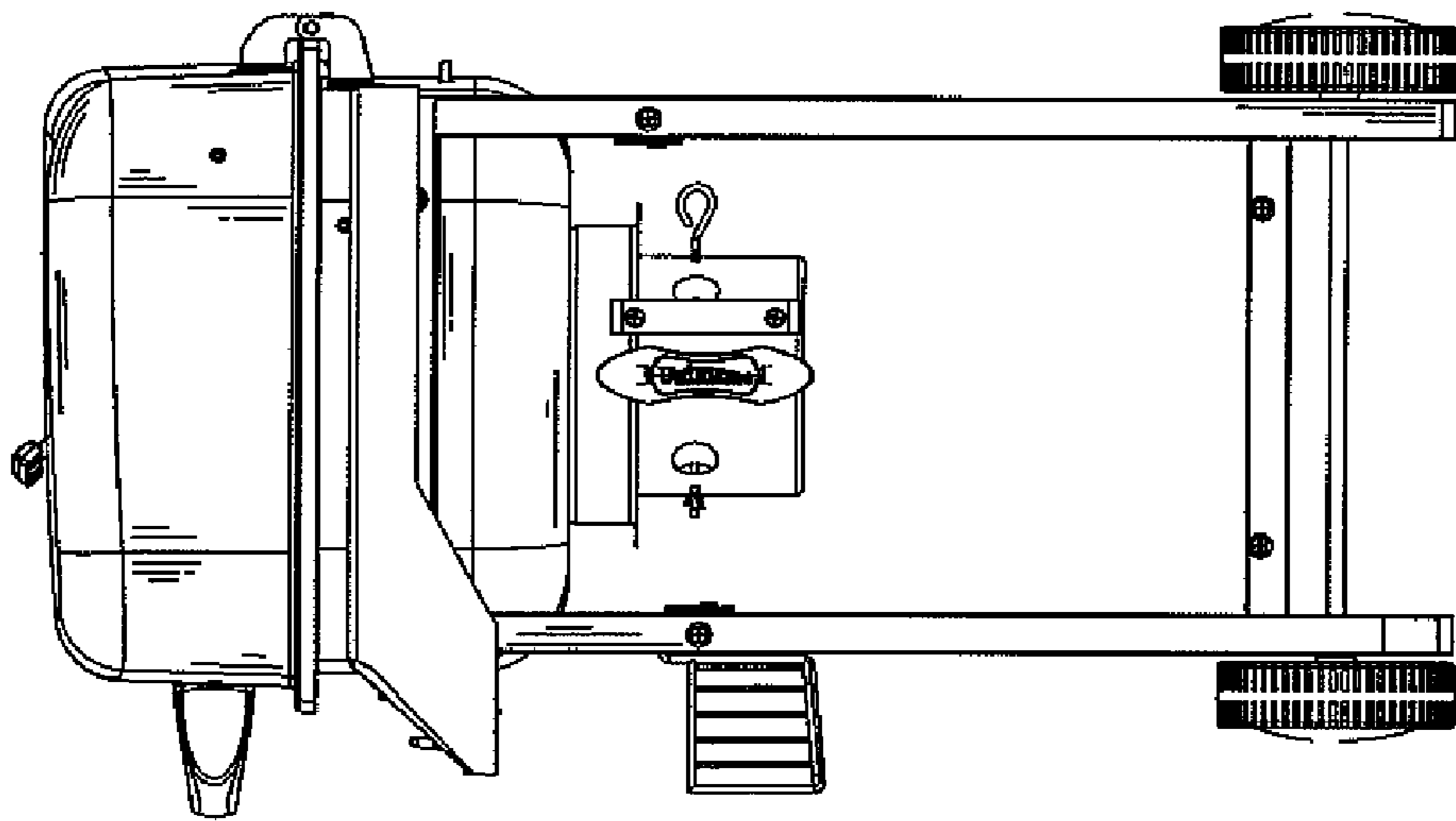


Fig. 5

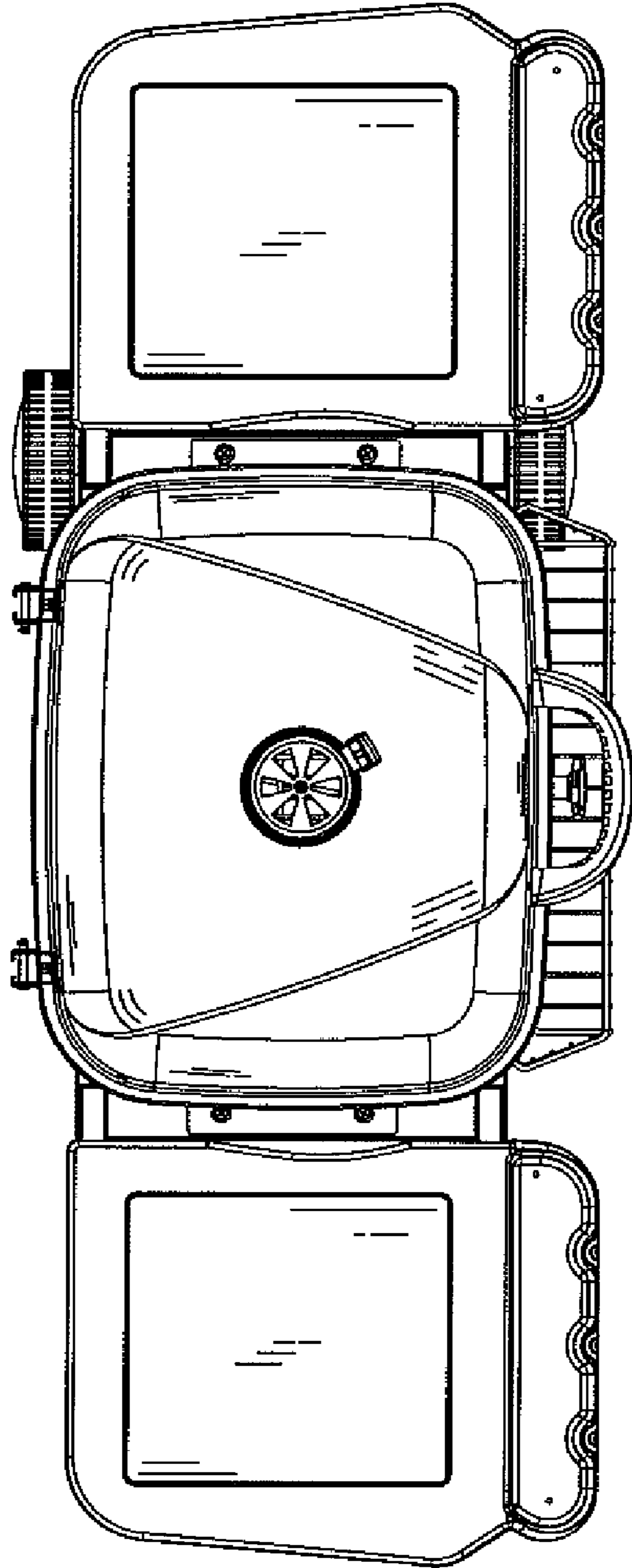


Fig. 6

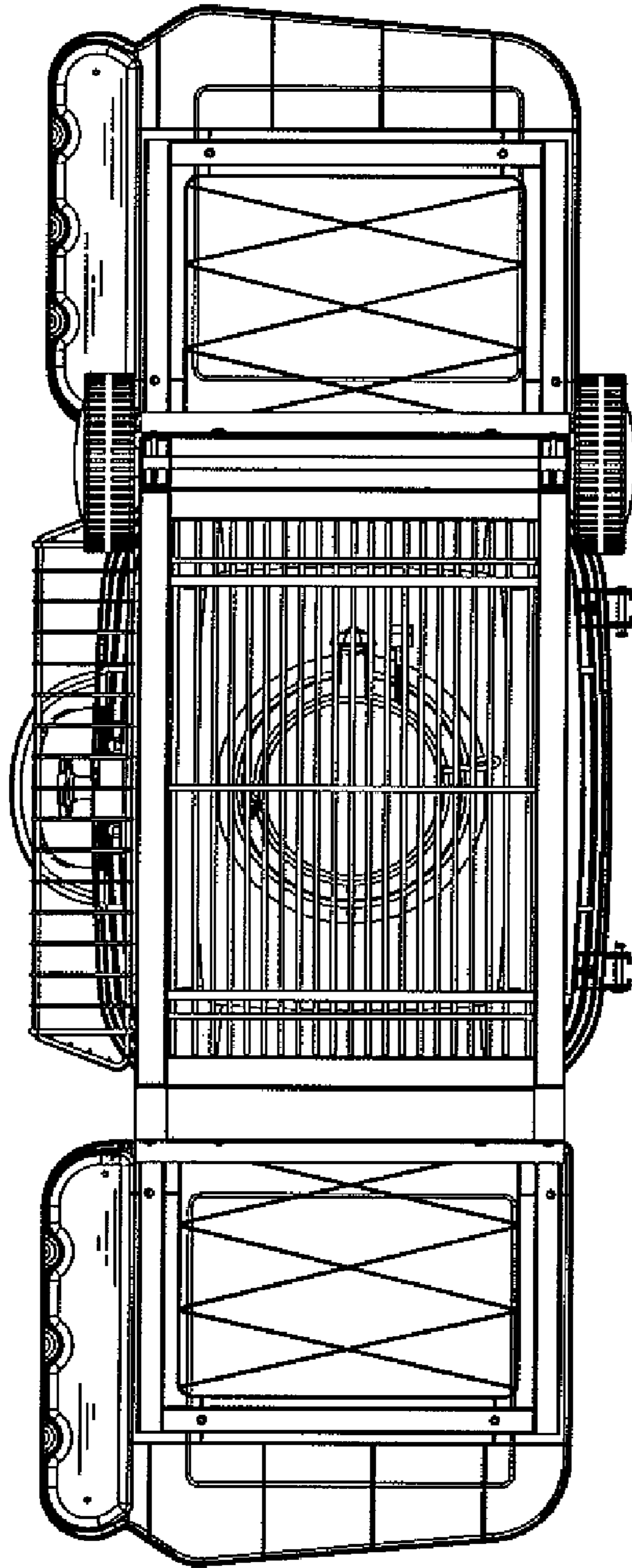


Fig. 7