



US00D550022S

(12) **United States Design Patent**  
**Amajuwon et al.**

(10) **Patent No.:** **US D550,022 S**

(45) **Date of Patent:** **\*\* Sep. 4, 2007**

(54) **COMBINED CHARCOAL SMOKER AND COOKER**

(76) Inventors: **Baami Amajuwon**, 1041 NW. 140 St., Miami, FL (US) 33168; **Marsee Amajuwon**, 1041 NW. 140 St., Miami, FL (US) 33168

(\*\*) **Term:** **14 Years**

(21) **Appl. No.:** **29/254,883**

(22) **Filed:** **Mar. 1, 2006**

(51) **LOC (8) Cl.** ..... **07-02**

(52) **U.S. Cl.** ..... **D7/332**

(58) **Field of Classification Search** ..... D7/332-337, D7/402-405; D23/335-336, 343; 126/500, 126/506, 519, 40, 50, 9 R, 9 B, 25 R, 25 A, 126/304 R, 305, 268, 276, 41 R, 37 R; 99/445, 99/448, 481-482; 248/128-129; 312/249.8, 312/249.13, 351.2; D6/511, 574

See application file for complete search history.

(56) **References Cited**

**U.S. PATENT DOCUMENTS**

D222,310 S *	10/1971	Zaunbrecher	.....	D7/332
3,964,463 A *	6/1976	Dailey	.....	126/41 R
D259,386 S *	6/1981	Mulder	.....	D7/334
D374,371 S *	10/1996	Hall McDonald	.....	D7/332
D443,464 S *	6/2001	Davis	.....	D7/334

D463,948 S *	10/2002	Innes	.....	D7/332
D481,903 S *	11/2003	Hester	.....	D7/332
D486,348 S *	2/2004	Zhu	.....	D7/332
D524,091 S *	7/2006	Lai	.....	D7/332
D527,216 S *	8/2006	Menegon	.....	D7/332

**OTHER PUBLICATIONS**

Old Smokey Electric Smoker [online]. [Retrieved on Jan. 11, 2007]. Retrieved from the Internet <[http://www.northerntool.com/webapp/wes/stores/servlet/product2\\_6970\\_200152274\\_200152274](http://www.northerntool.com/webapp/wes/stores/servlet/product2_6970_200152274_200152274)>.\*

\* cited by examiner

*Primary Examiner*—Ruth McInroy

(74) *Attorney, Agent, or Firm*—Fleit Kain Gibbons Gutman Bongini & Bianco; Paul D. Bianco; Martin Fleit

(57) **CLAIM**

The ornamental design for a combined charcoal smoker and cooker, as shown and described.

**DESCRIPTION**

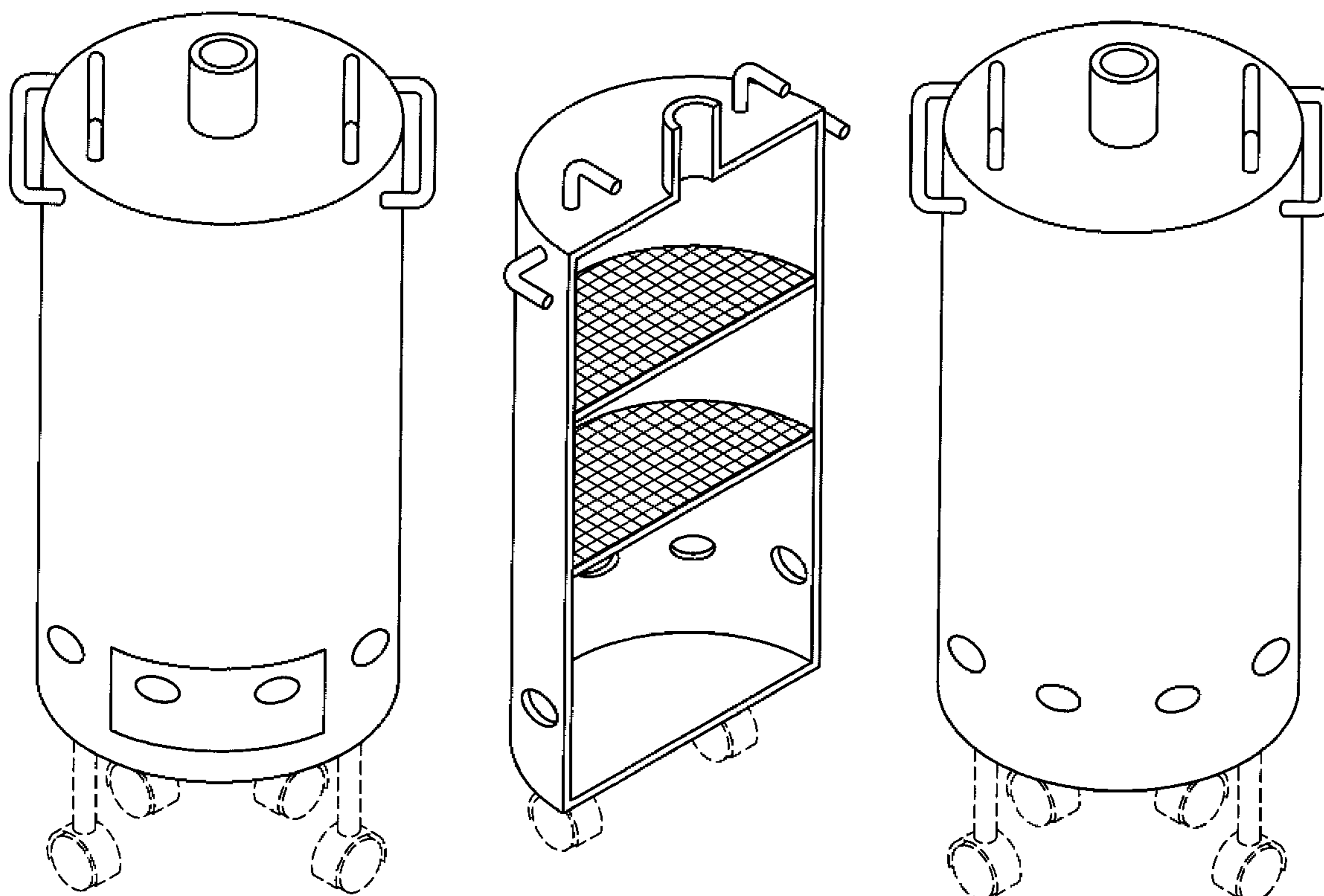
FIG. 1 is a perspective view of a combined charcoal smoker and cooker showing our new design;

FIG. 2 is a cut-away perspective view thereof; and,

FIG. 3 is a rear view thereof.

The broken line representations are for illustrative purposes only and form no part of the claimed design.

**1 Claim, 3 Drawing Sheets**



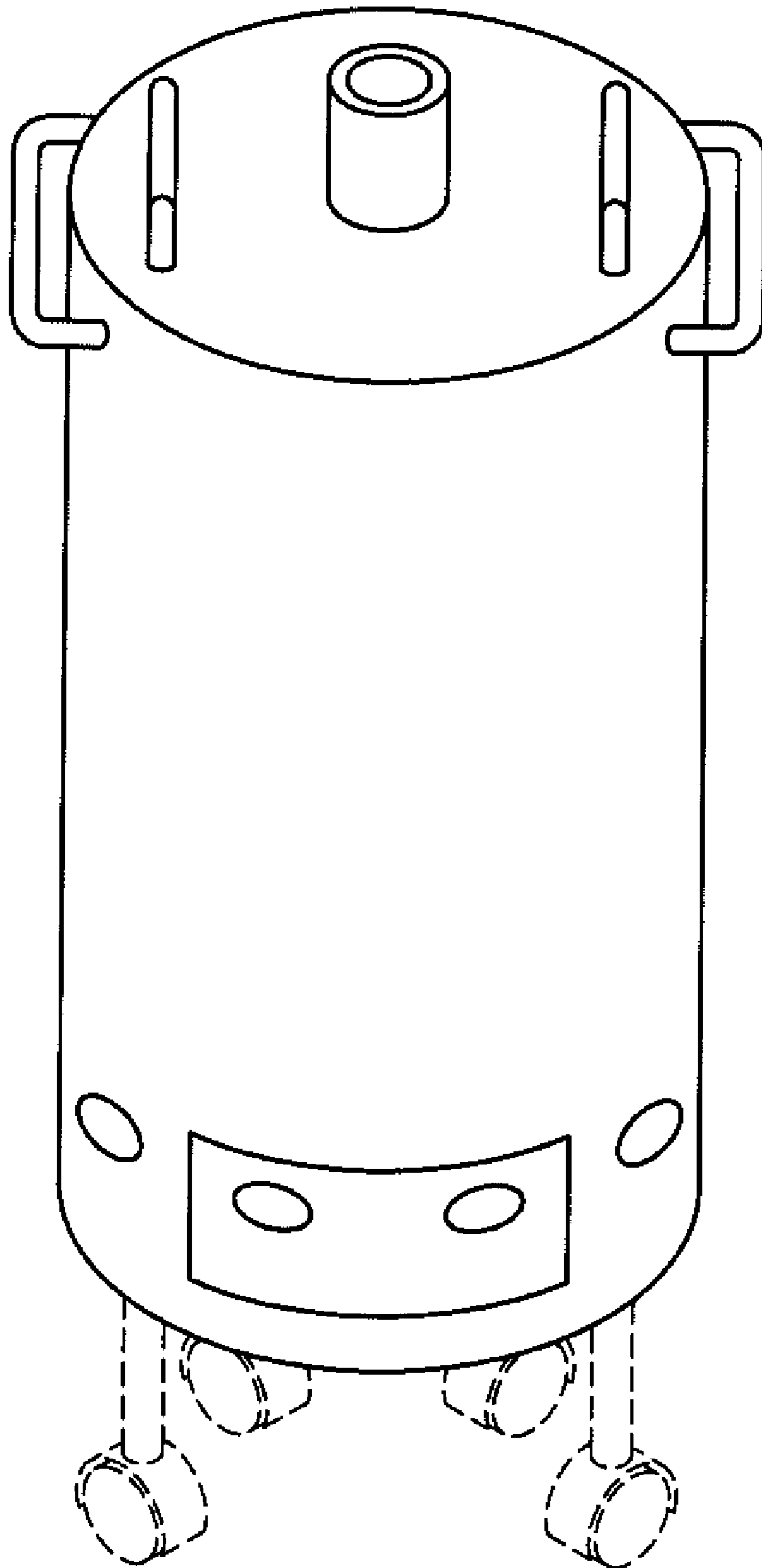


FIG. 1

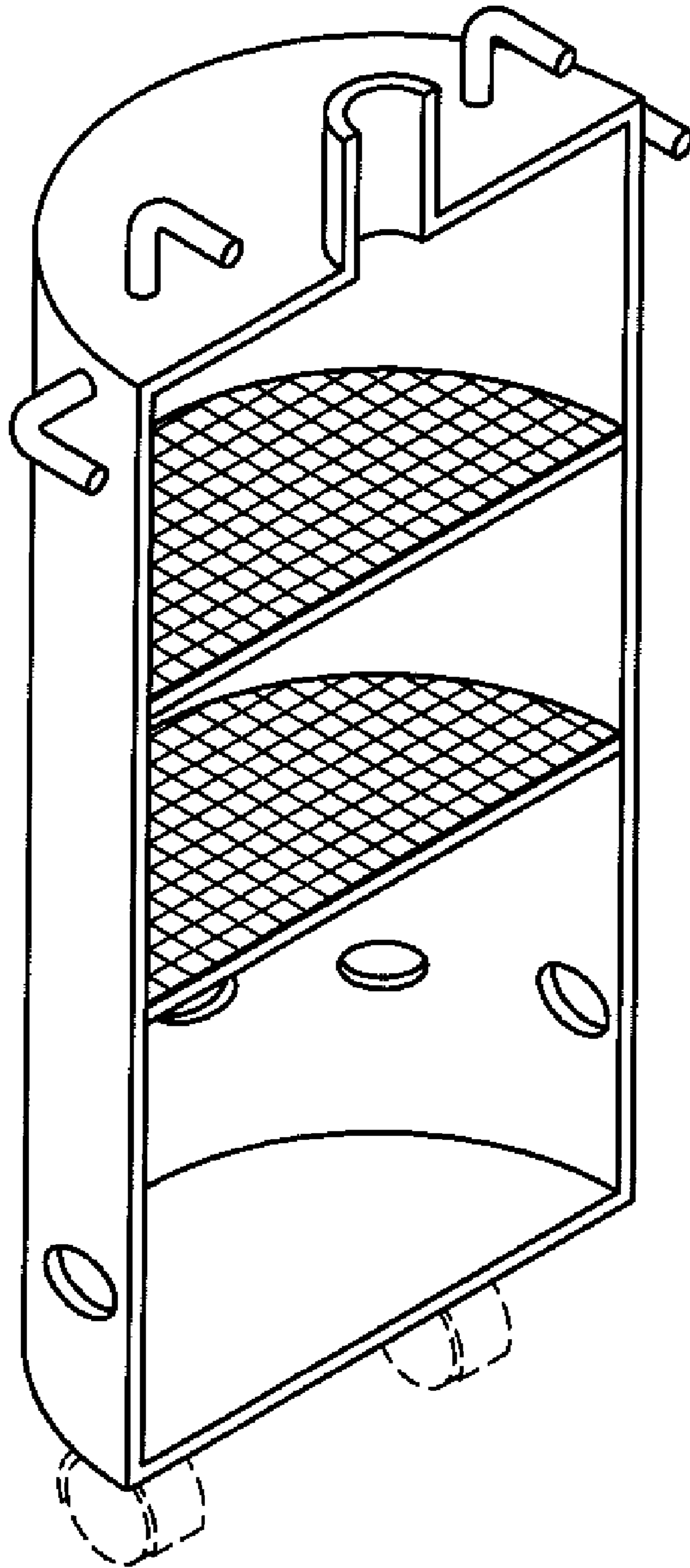


FIG. 2

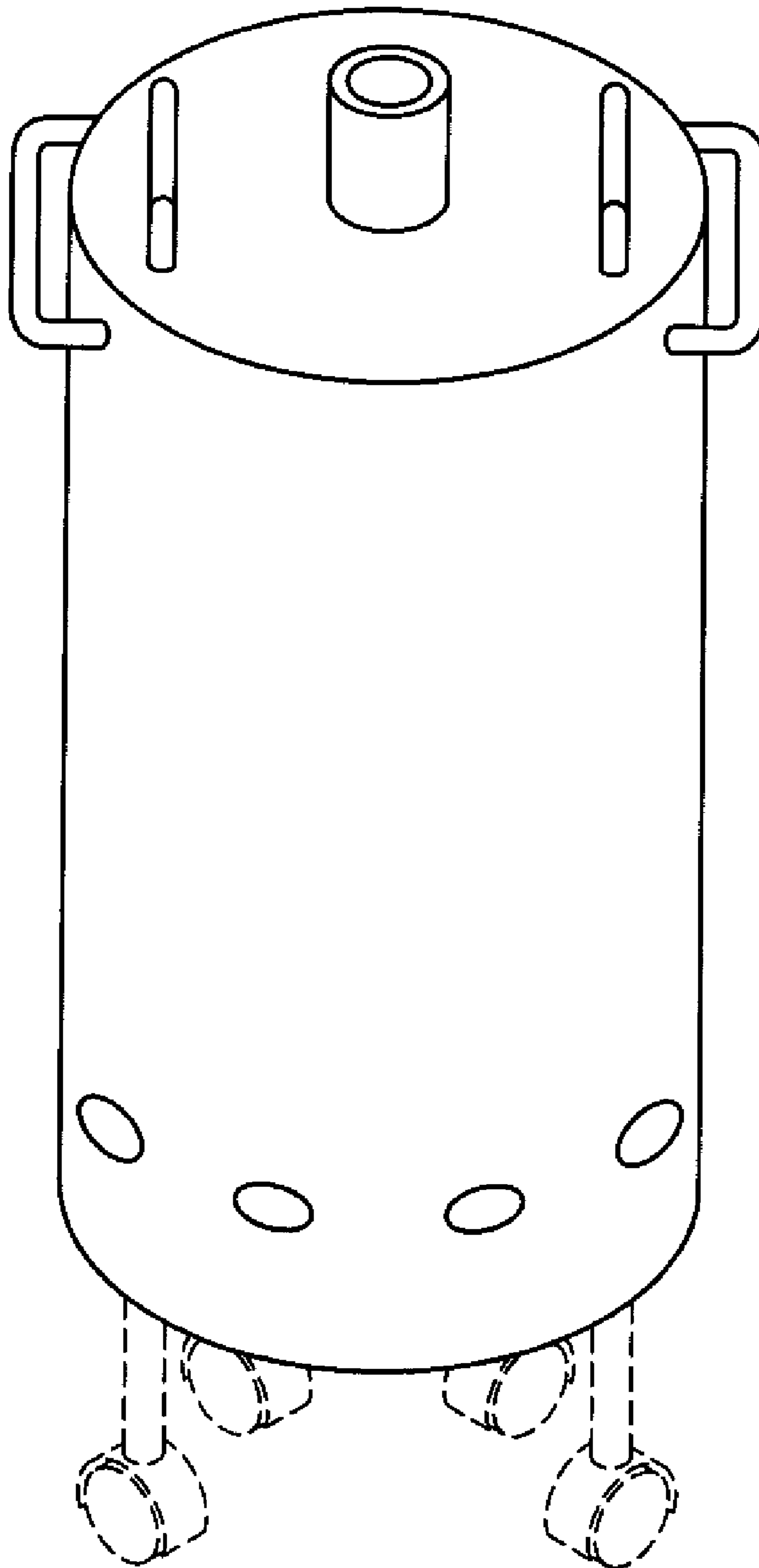


FIG. 3