



US00D550020S

(12) **United States Design Patent** (10) **Patent No.:** **US D550,020 S**  
**Pettaweebuncha** (45) **Date of Patent:** **\*\* Sep. 4, 2007**

(54) **JUG**  
 (75) Inventor: **Touchapol Pettaweebuncha**, Bangkok (TH)  
 (73) Assignee: **Pastina Co., Ltd.**, Bangkok (TH)  
 (\*\*) Term: **14 Years**  
 (21) Appl. No.: **29/230,994**  
 (22) Filed: **Jun. 1, 2005**

(51) **LOC (8) Cl.** ..... **07-01**  
 (52) **U.S. Cl.** ..... **D7/317; D7/318**  
 (58) **Field of Classification Search** ..... D7/316-319,  
 D7/598, 600, 529, 393; 210/660; 215/504,  
 215/398, 6; 220/771, 604, 631, 719, 835;  
 222/189.07, 465.1, 86  
 See application file for complete search history.

(56) **References Cited**

U.S. PATENT DOCUMENTS

D42,612 S *	6/1912	Sanford	.....	D7/317
D155,759 S *	10/1949	Yutzey	.....	D7/319
D165,827 S *	2/1952	Cowan	.....	D7/319
D185,810 S *	8/1959	Bloch	.....	D7/318
D192,934 S *	5/1962	Bloch	.....	D7/318
D215,169 S *	9/1969	Stephenson	.....	D7/317
D215,749 S *	10/1969	Alder	.....	D7/317
D229,012 S *	11/1973	Wooters	.....	D7/317
3,817,430 A *	6/1974	Borin	.....	222/494
3,861,565 A *	1/1975	Rickmeier, Jr.	.....	222/131
4,638,928 A *	1/1987	Webster	.....	222/155
4,655,373 A *	4/1987	Essen	.....	222/465.1
D309,077 S *	7/1990	Pomroy	.....	D7/318
5,158,216 A *	10/1992	Viani	.....	222/465.1
D369,277 S *	4/1996	Lin	.....	D7/529
D390,416 S *	2/1998	Hippen et al.	.....	D7/413
D421,361 S *	3/2000	Coulson et al.	.....	D7/319
6,224,751 B1 *	5/2001	Hofmann et al.	.....	210/85
D452,409 S *	12/2001	Thun	.....	D7/319
D486,036 S *	2/2004	Chuang	.....	D7/529
D528,356 S *	9/2006	Upah et al.	.....	D7/374

D535,854 S \* 1/2007 Schreitmuller ..... D7/398

\* cited by examiner

*Primary Examiner*—M. N. Pandozzi

(74) *Attorney, Agent, or Firm*—Birch, Stewart, Kolasch & Birch, LLP

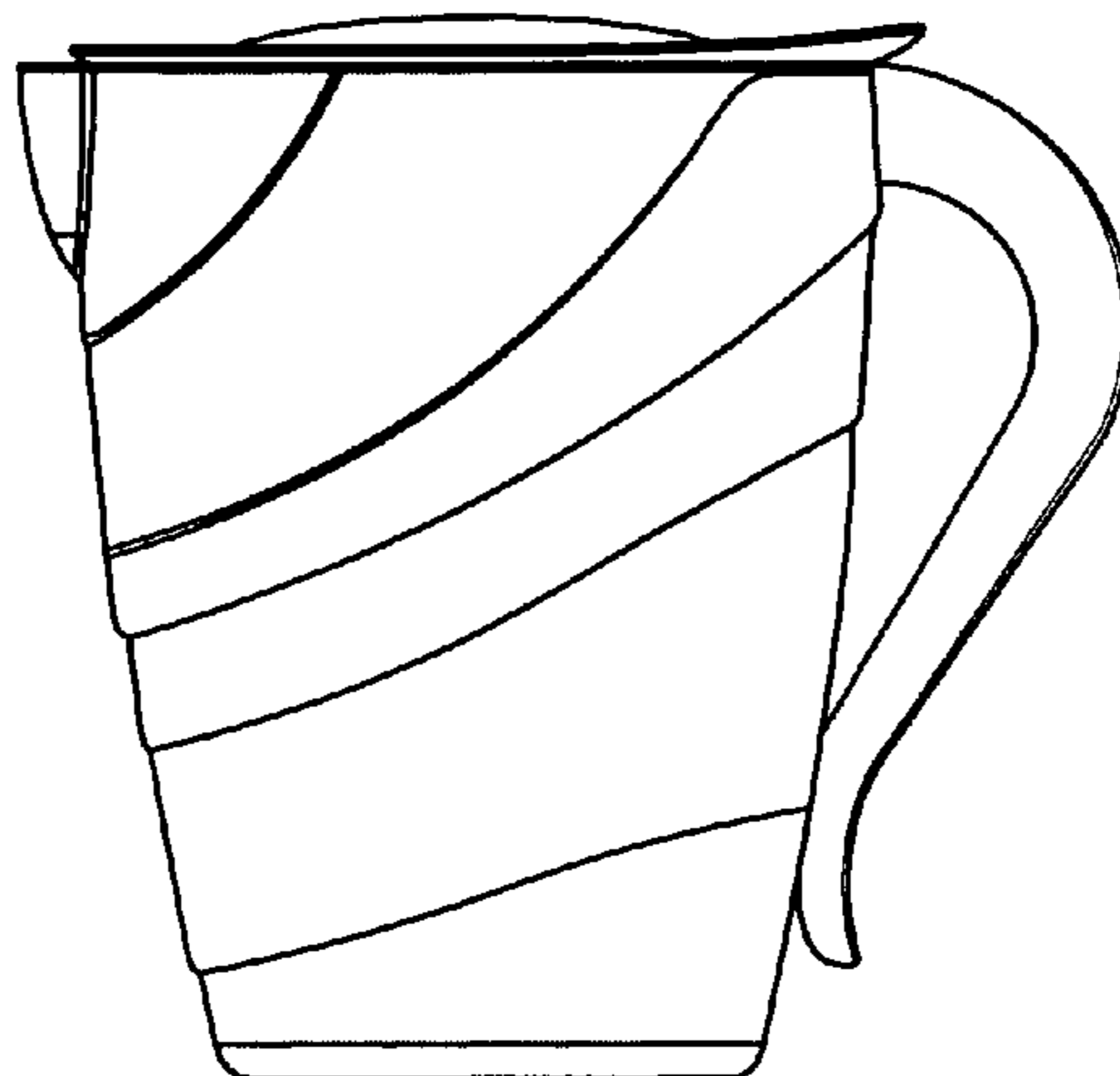
(57) **CLAIM**

The ornamental design for a jug, as shown and described.

**DESCRIPTION**

FIG. 1 is a top plan view of a jug showing my new design;  
 FIG. 2 is a front elevational view thereof;  
 FIG. 3 is a front, left perspective view thereof;  
 FIG. 4 is a left side view thereof, the right side view being a mirror image thereof;  
 FIG. 5 is an exploded view thereof;  
 FIG. 6 is a top plan view of the lid portion with the rest of the jug removed for ease of illustration;  
 FIG. 7 is a front elevational view thereof;  
 FIG. 8 is a left side view thereof, the right side being a mirror image thereof;  
 FIG. 9 is a front, left perspective view thereof;  
 FIG. 10 is a top plan view of the body portion of the jug with the lid and handle removed for ease of illustration;  
 FIG. 11 is a front elevational view thereof;  
 FIG. 12 is a left side views thereof, the right side view being a mirror image thereof;  
 FIG. 13 is a front, left perspective view thereof;  
 FIG. 14 is a top plan view of the handle portion of the jug with the rest of the jug removed for ease of illustration;  
 FIG. 15 is a front elevational view thereof;  
 FIG. 16 is a left side view thereof, the right side view being a mirror image thereof; and,  
 FIG. 17 is a perspective view thereof.

**1 Claim, 8 Drawing Sheets**



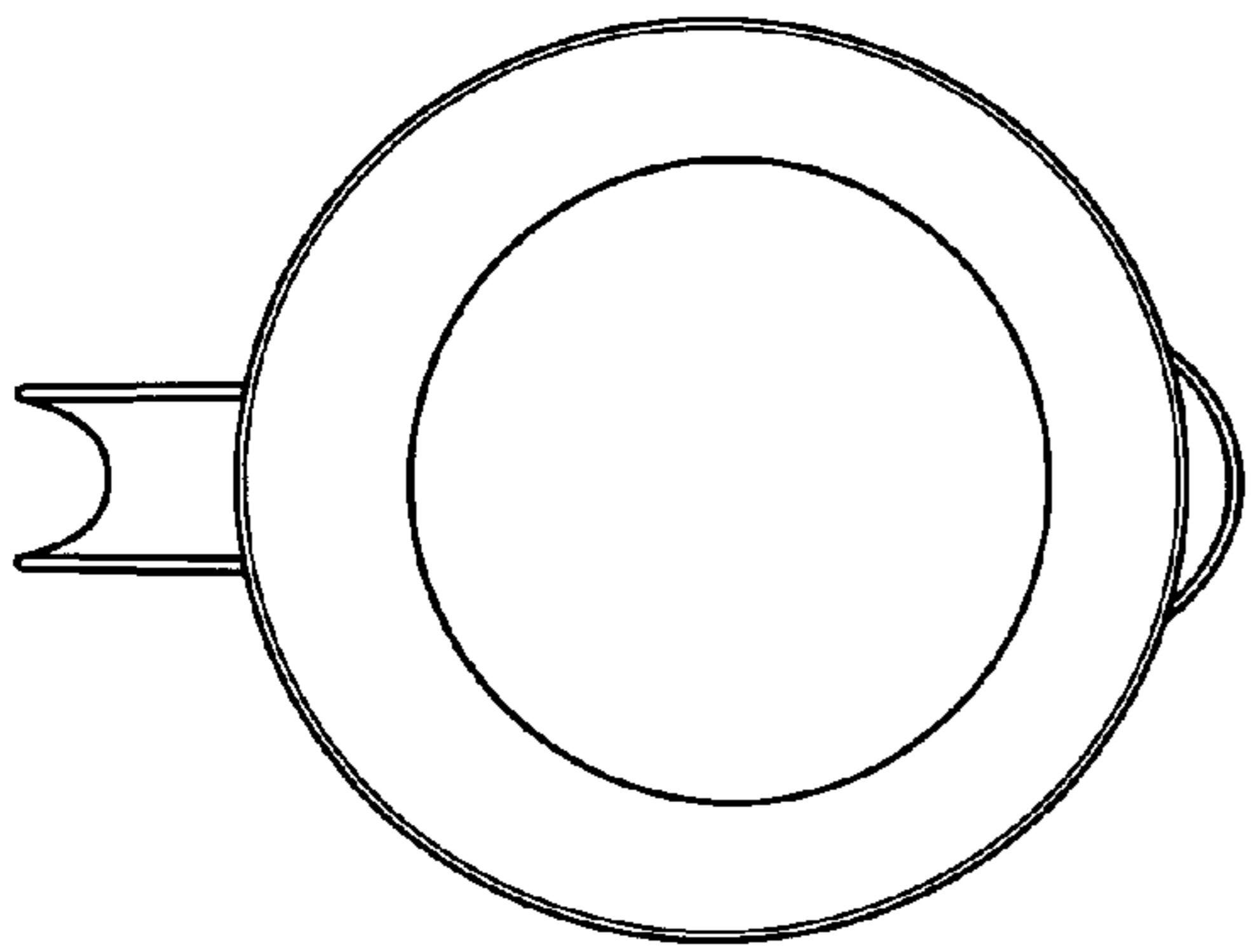


FIG. 1

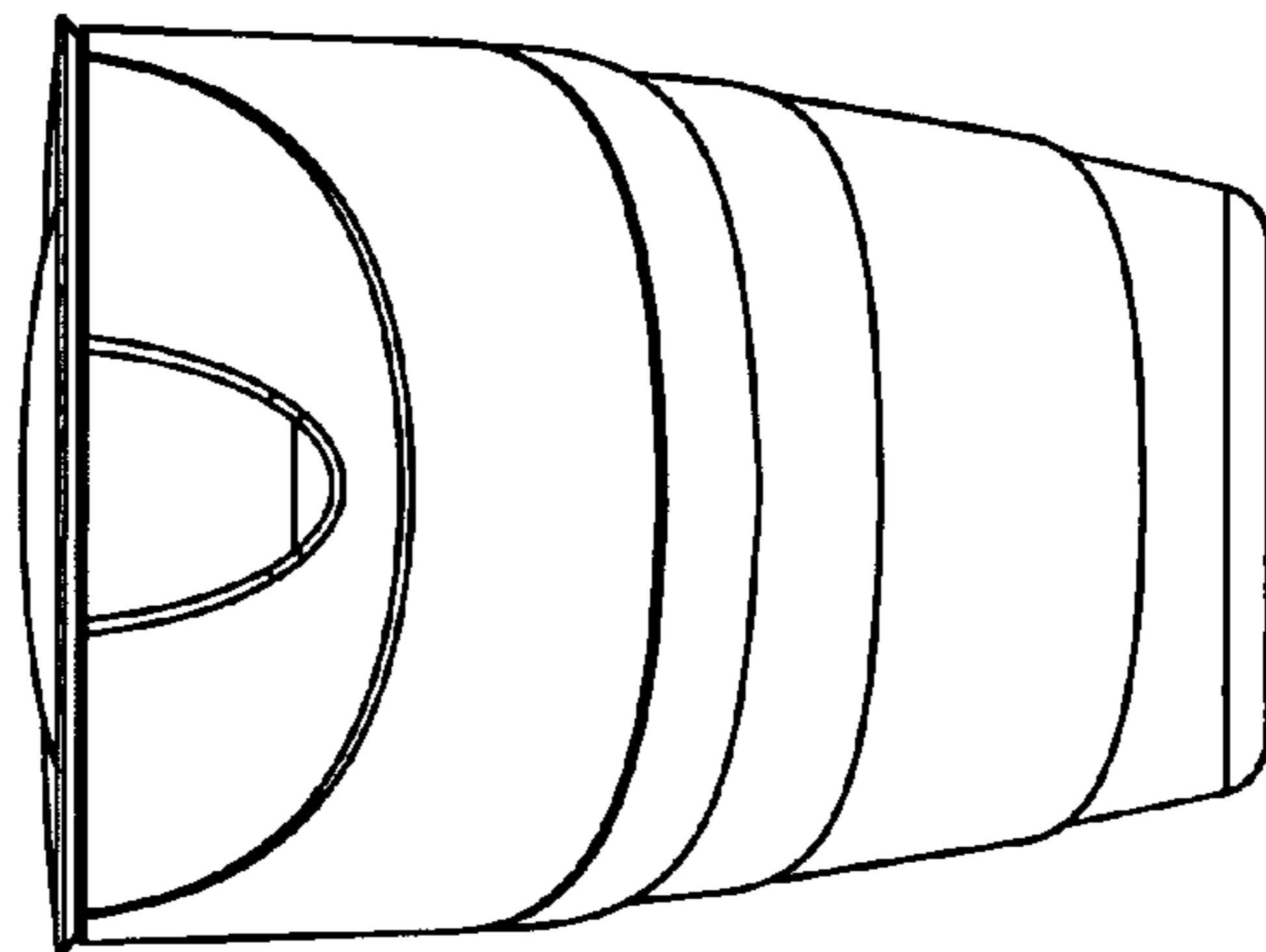


FIG. 2

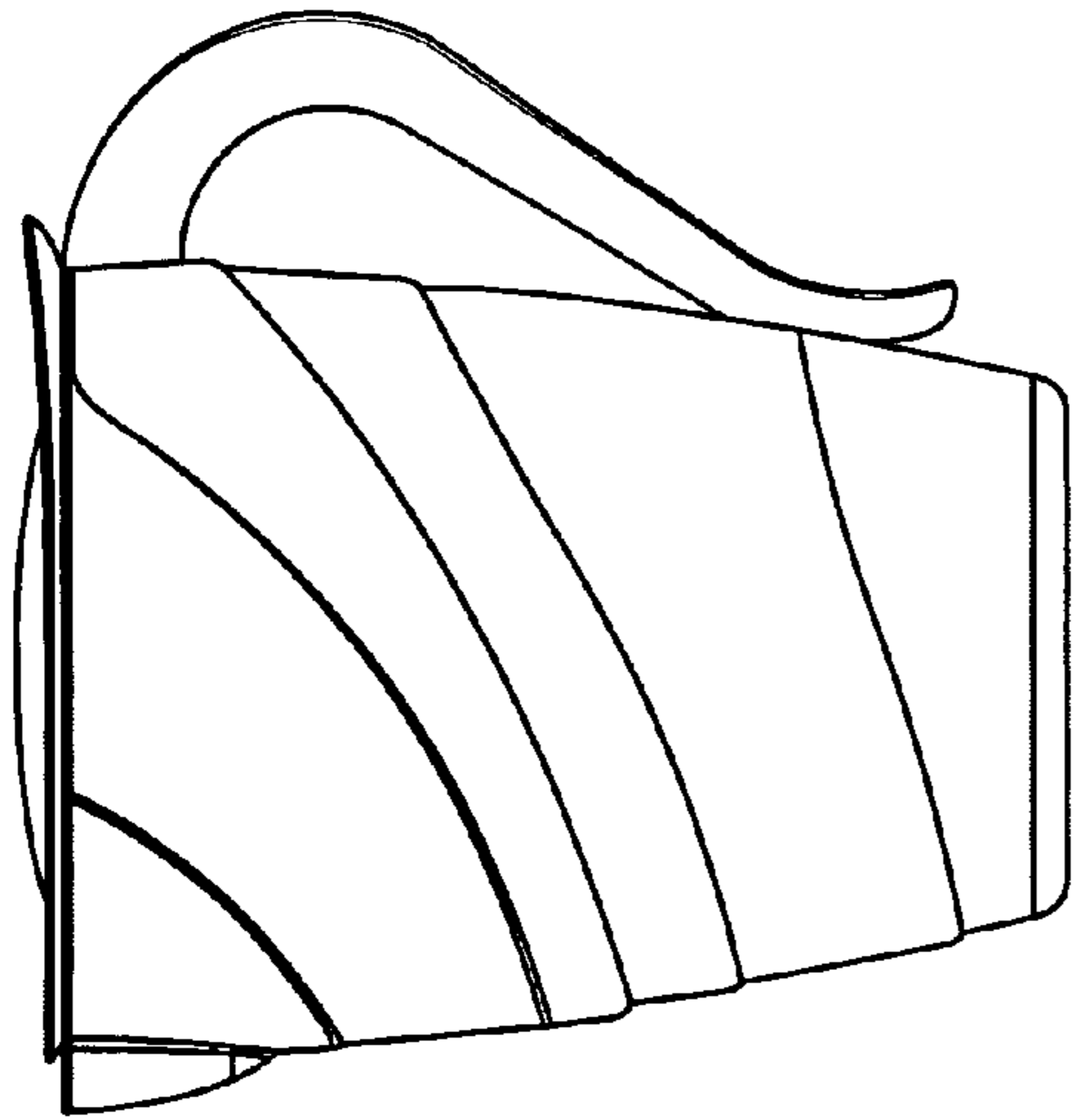


FIG. 4

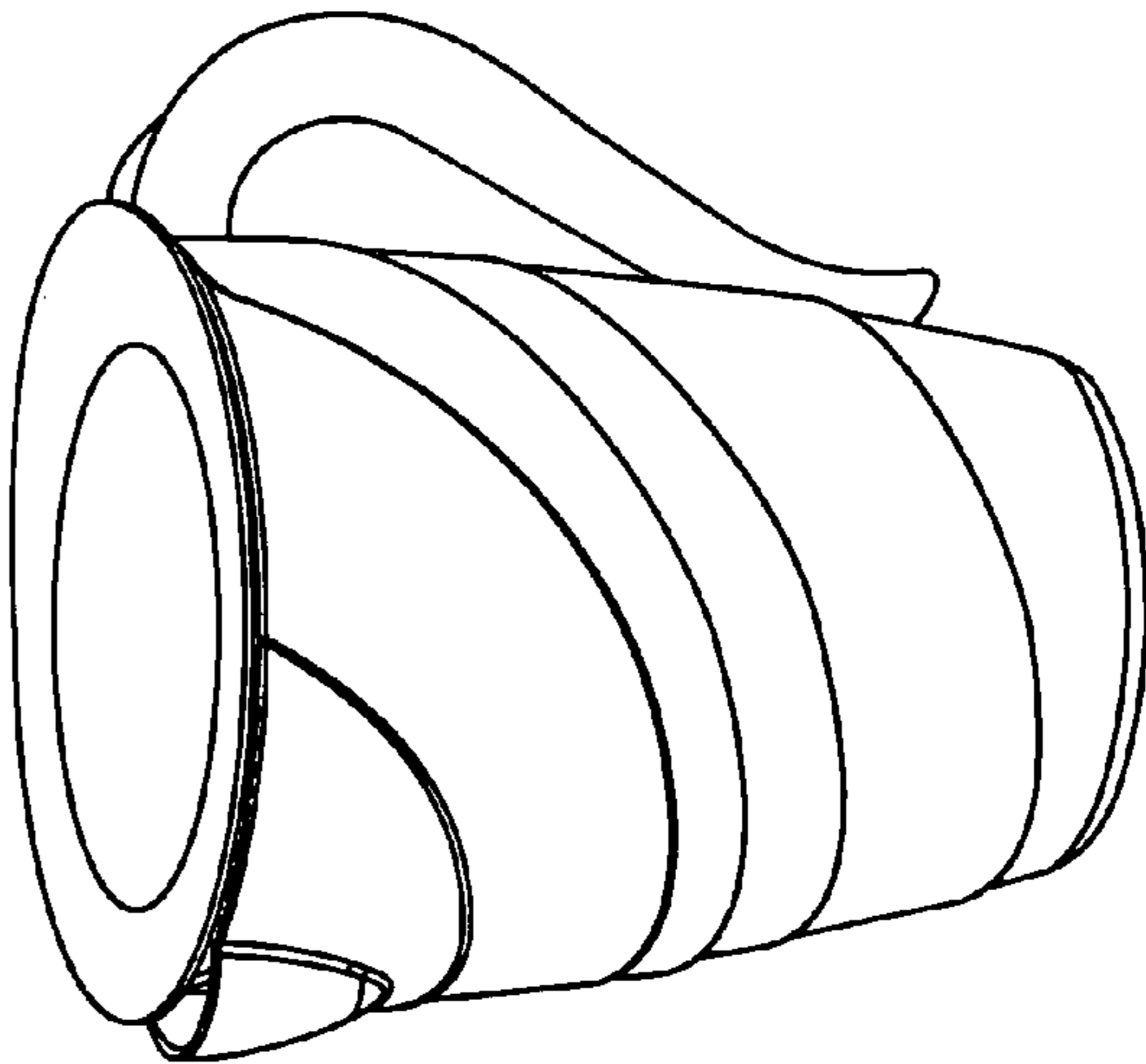
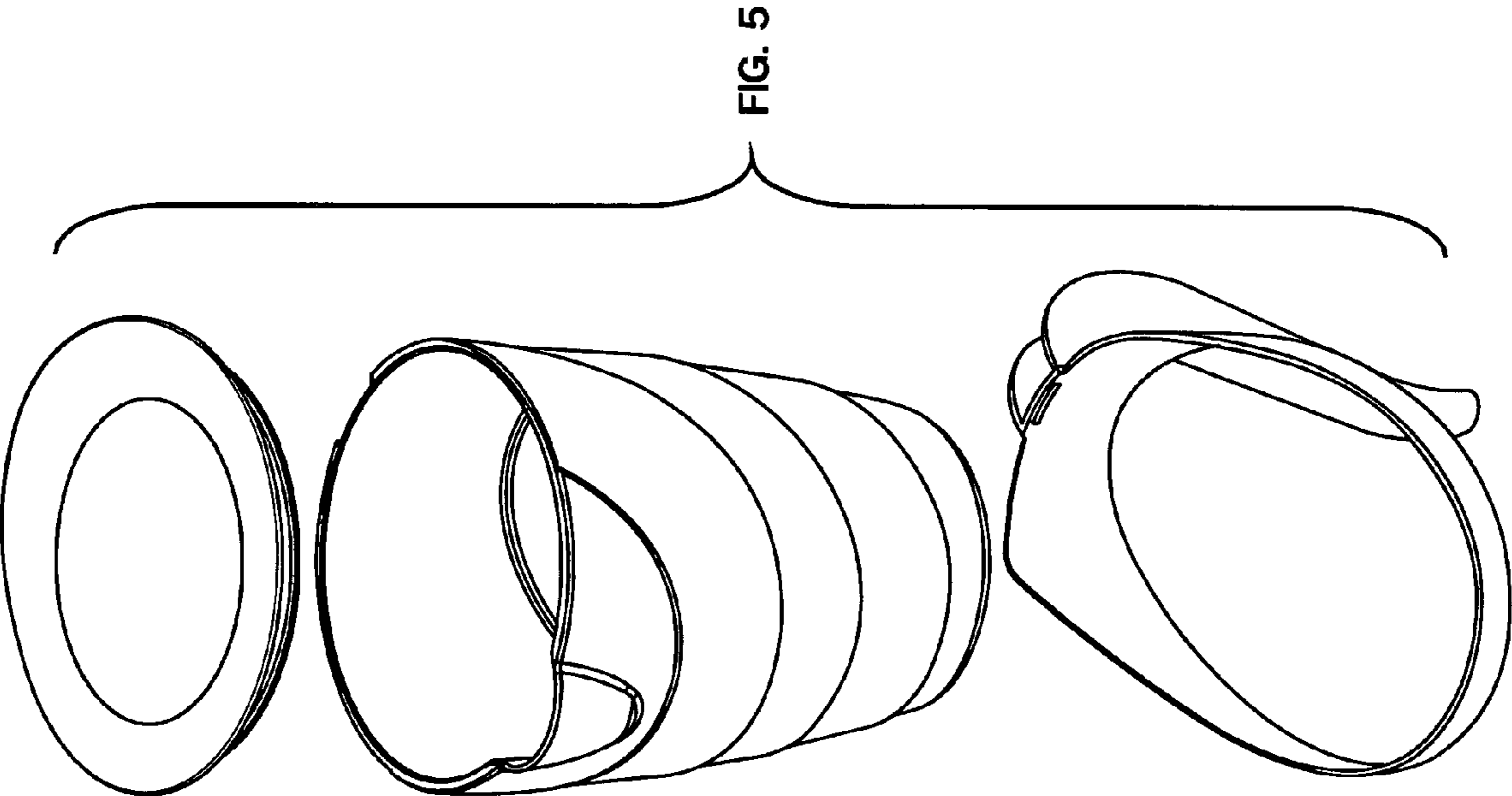


FIG. 3



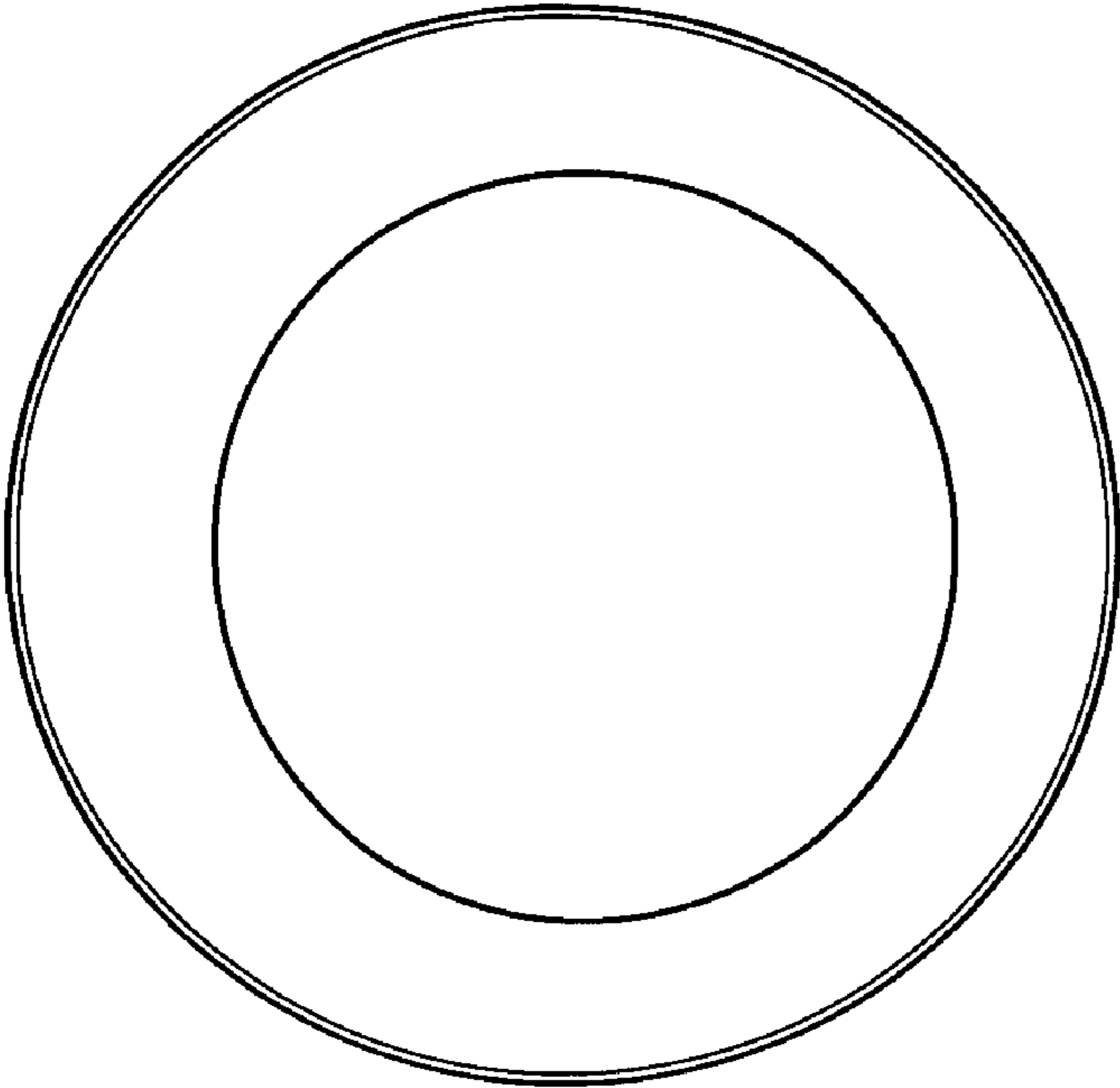


FIG. 6



FIG. 7



FIG. 8

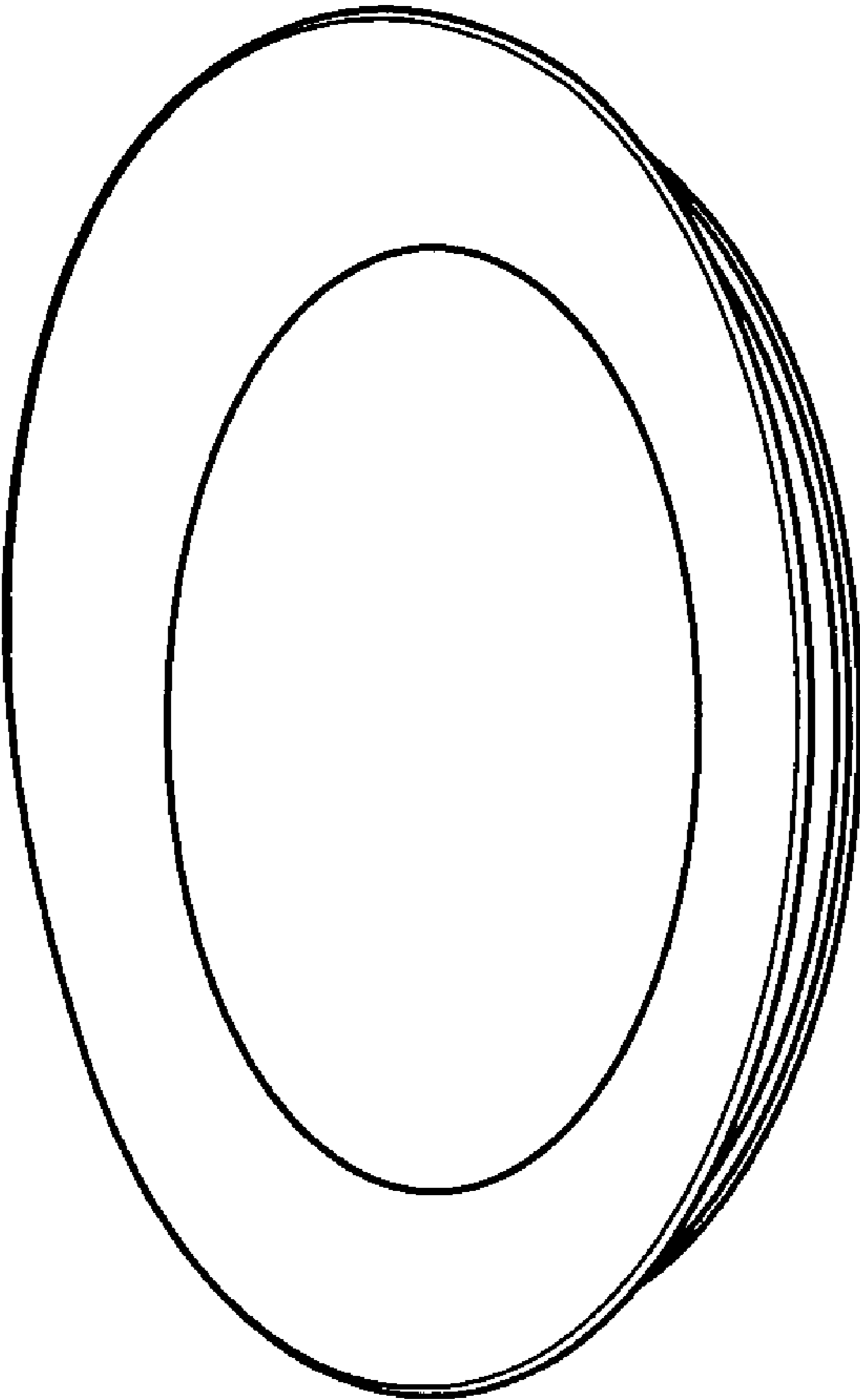


FIG. 9

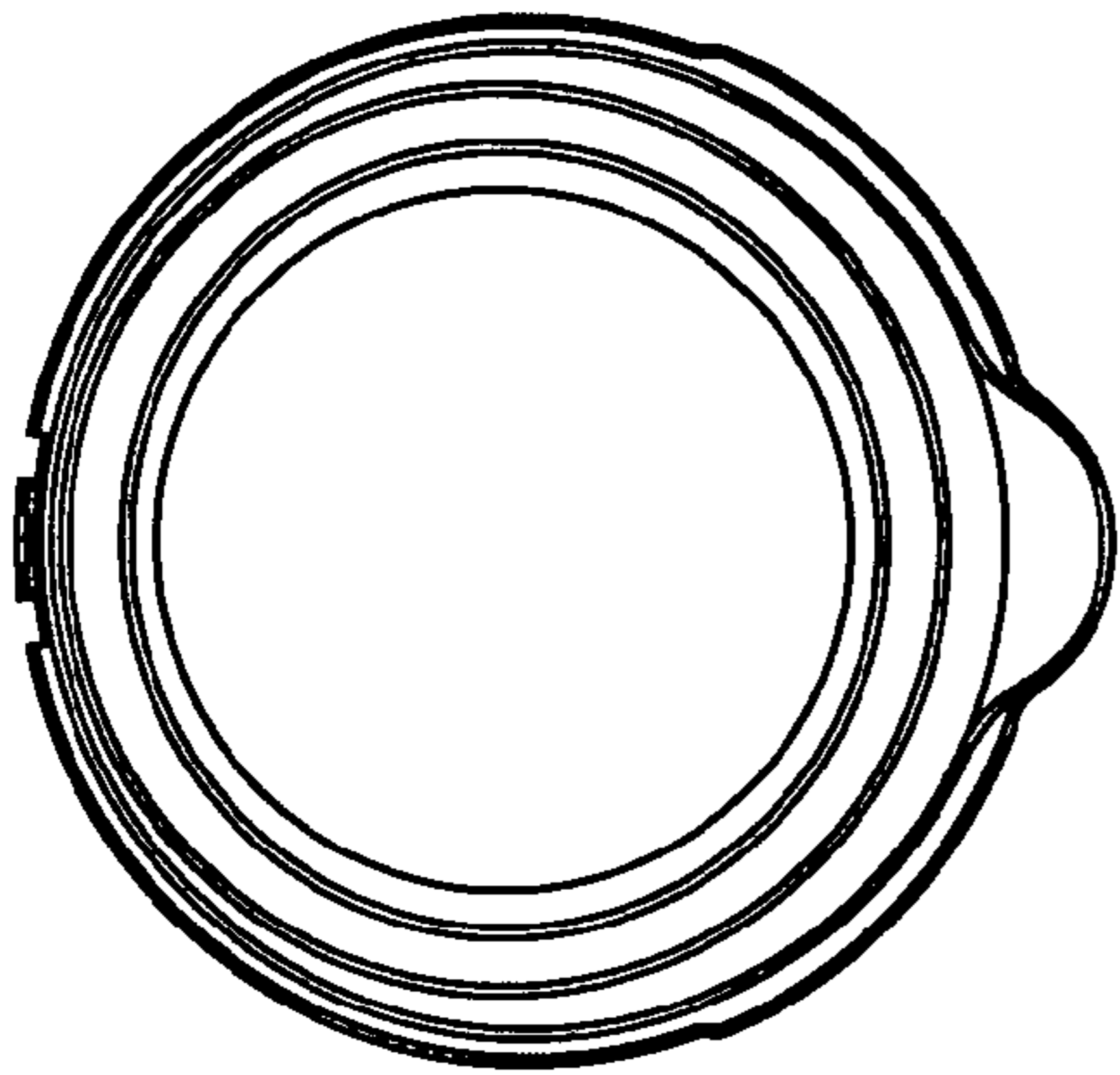


FIG. 10

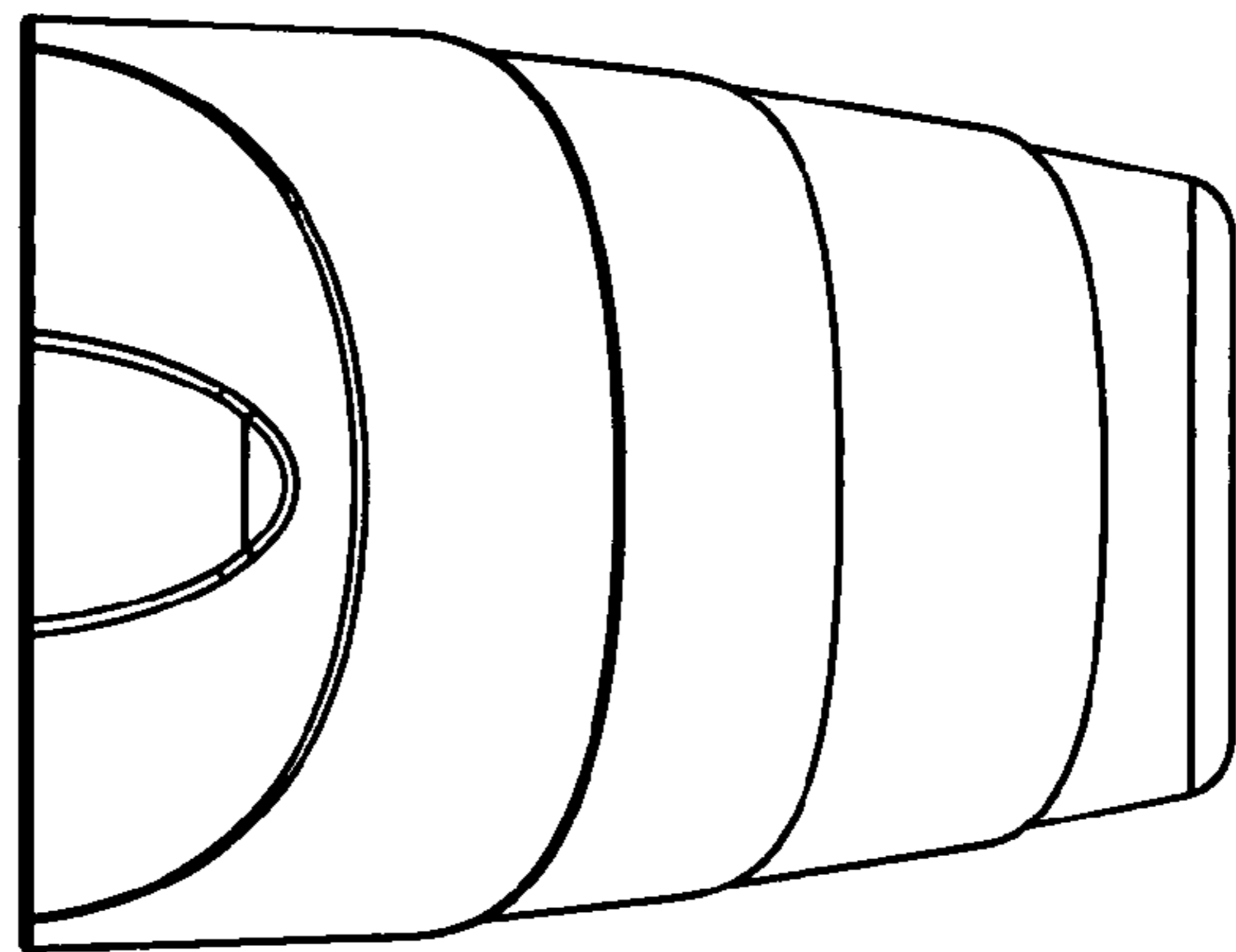


FIG. 11

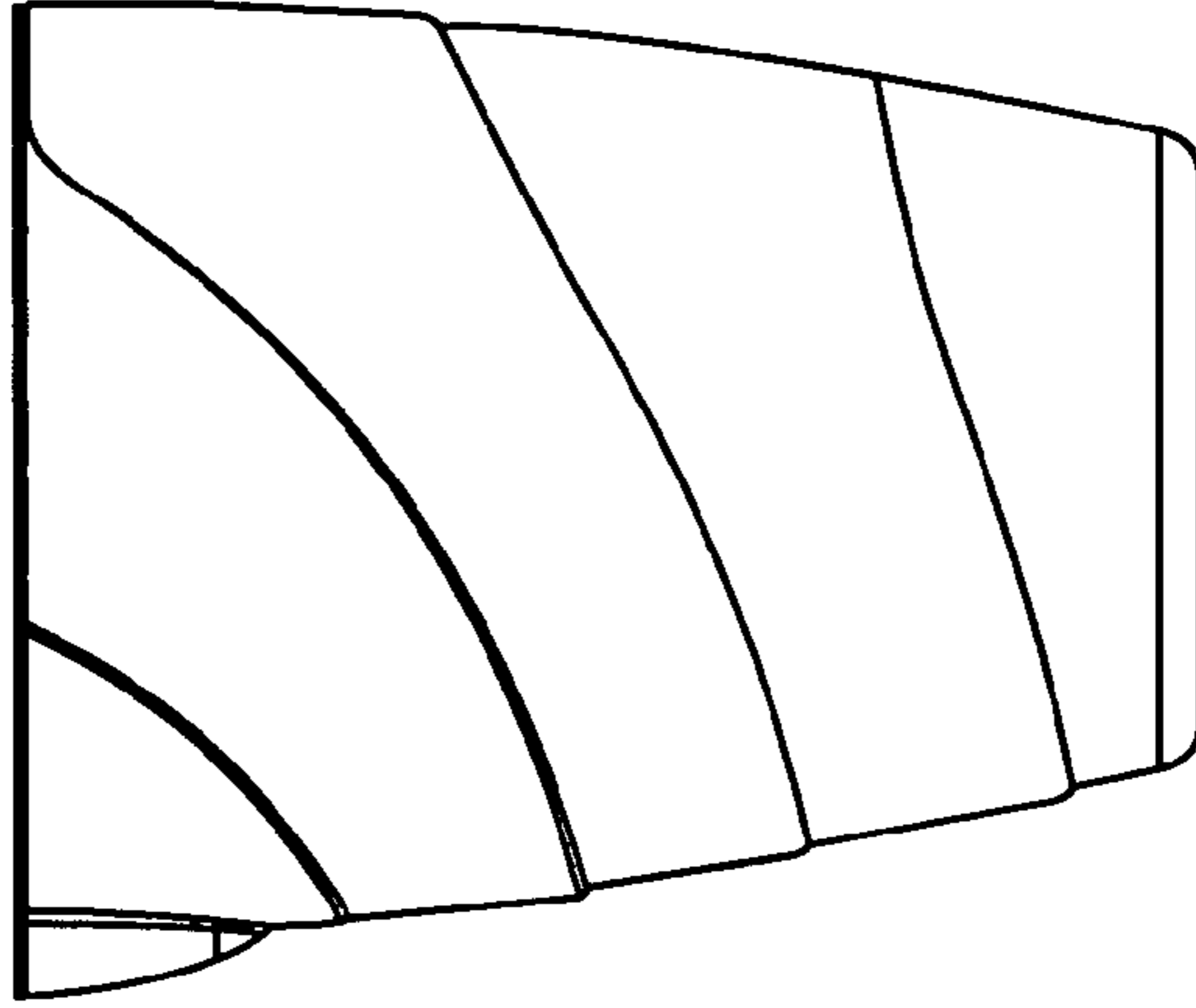


FIG. 12

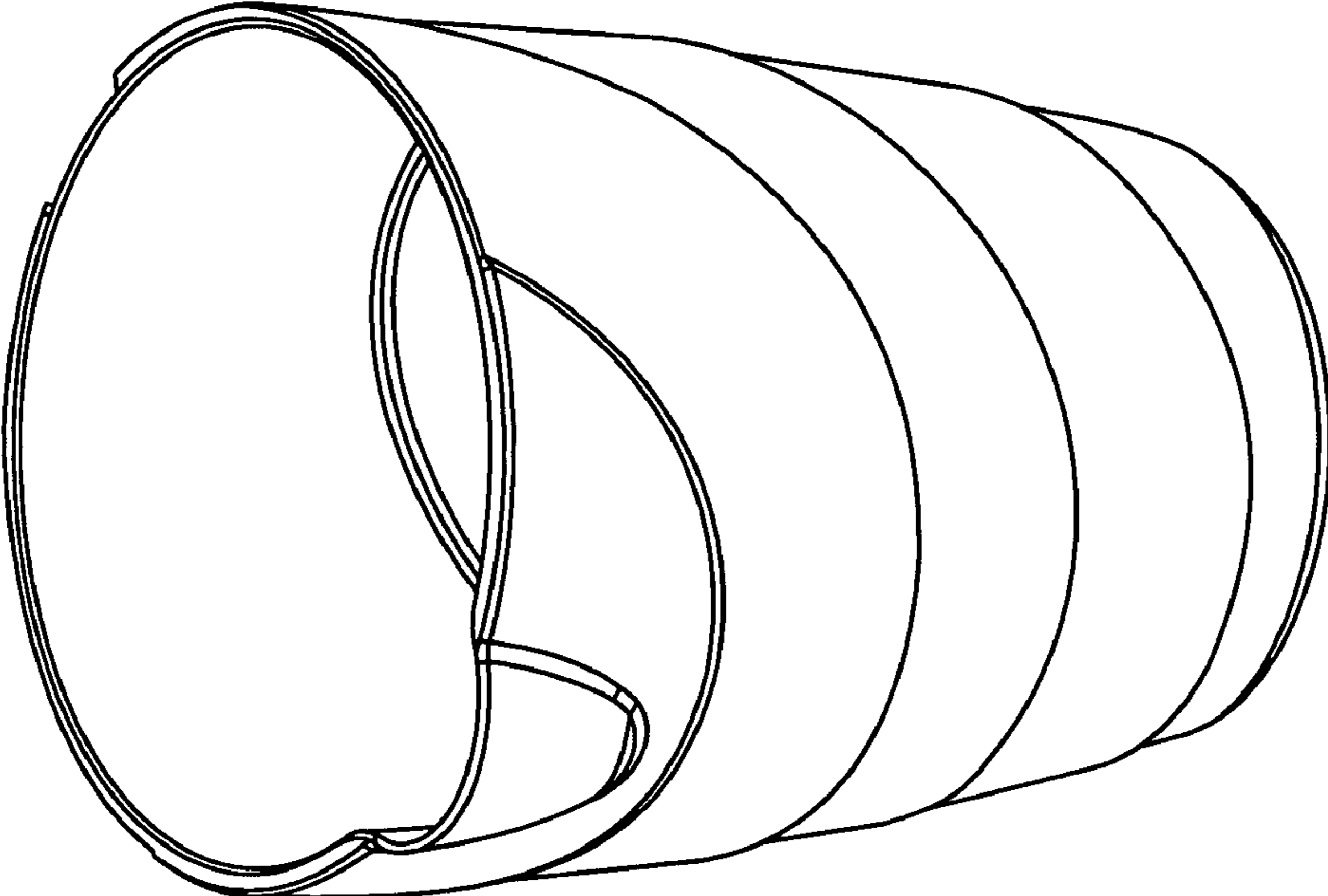


FIG. 13

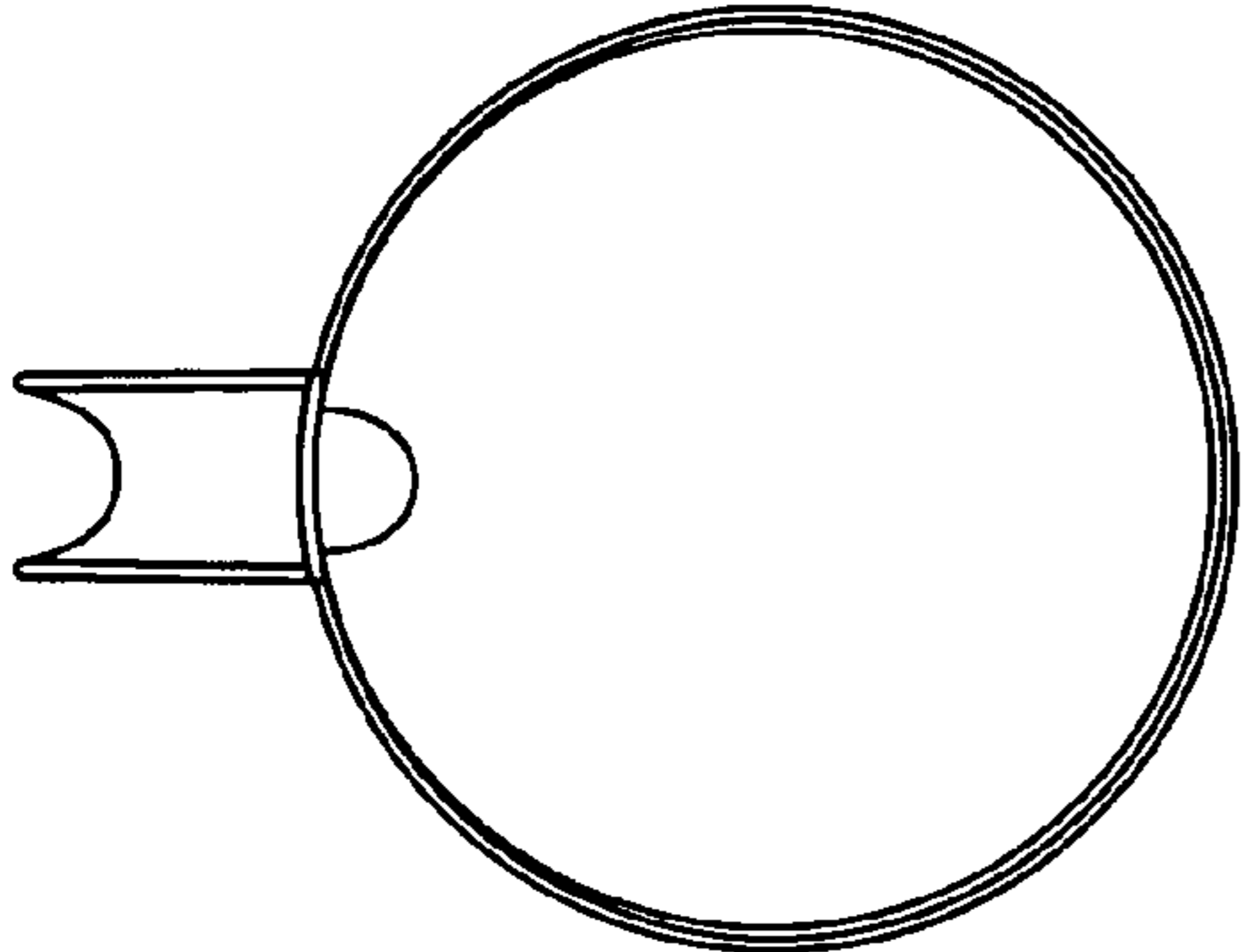


FIG. 14

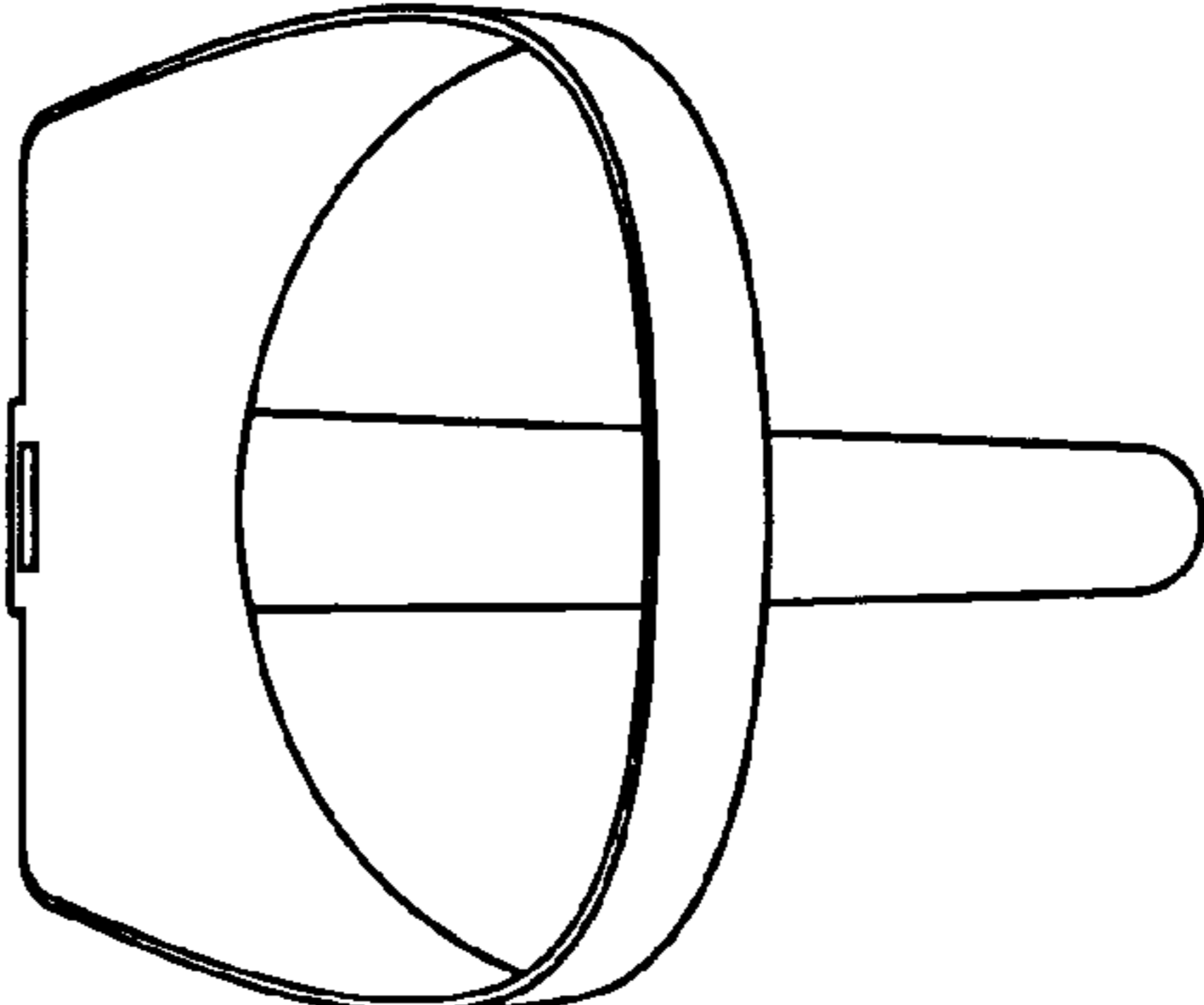


FIG. 15

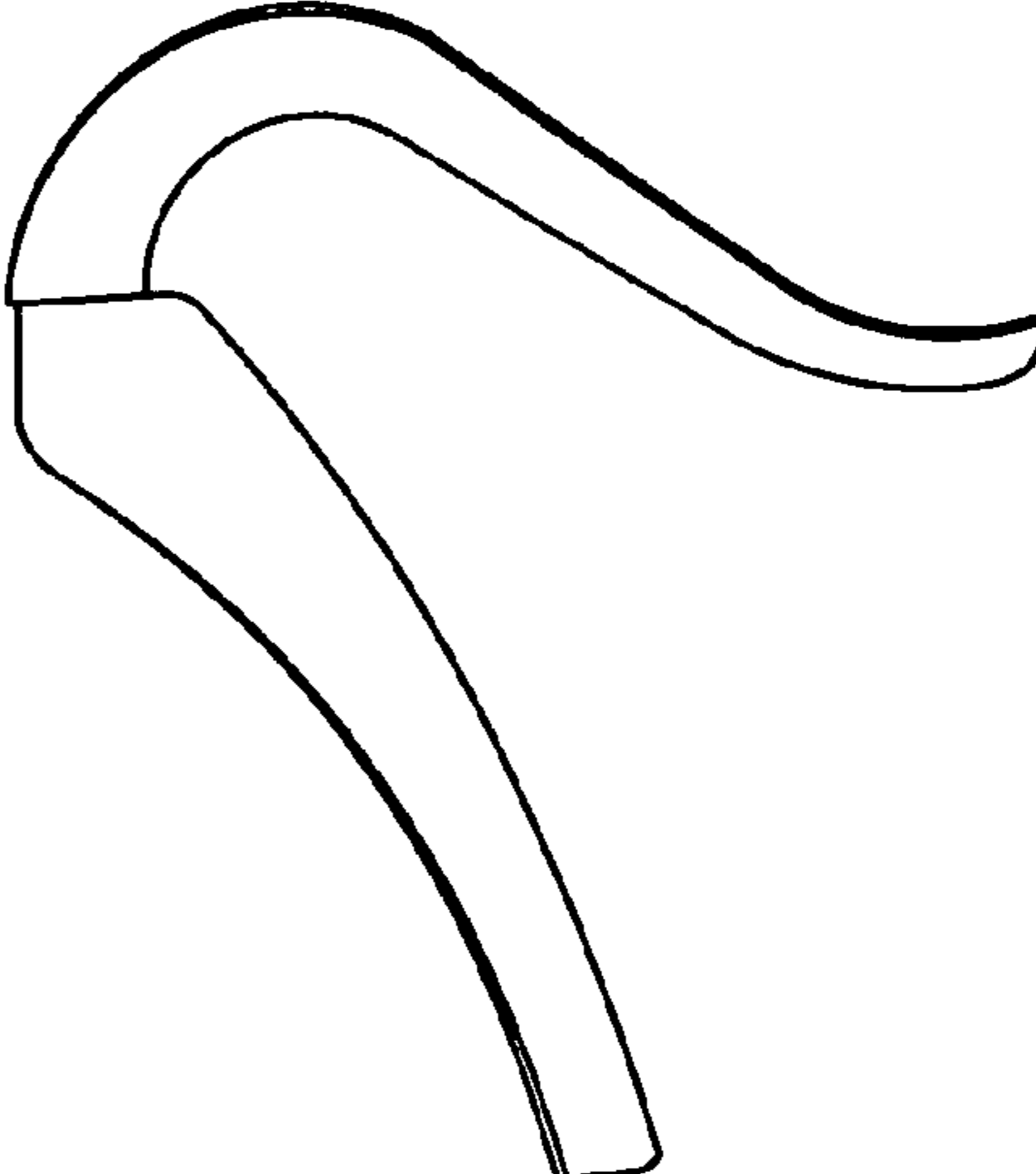


FIG. 16



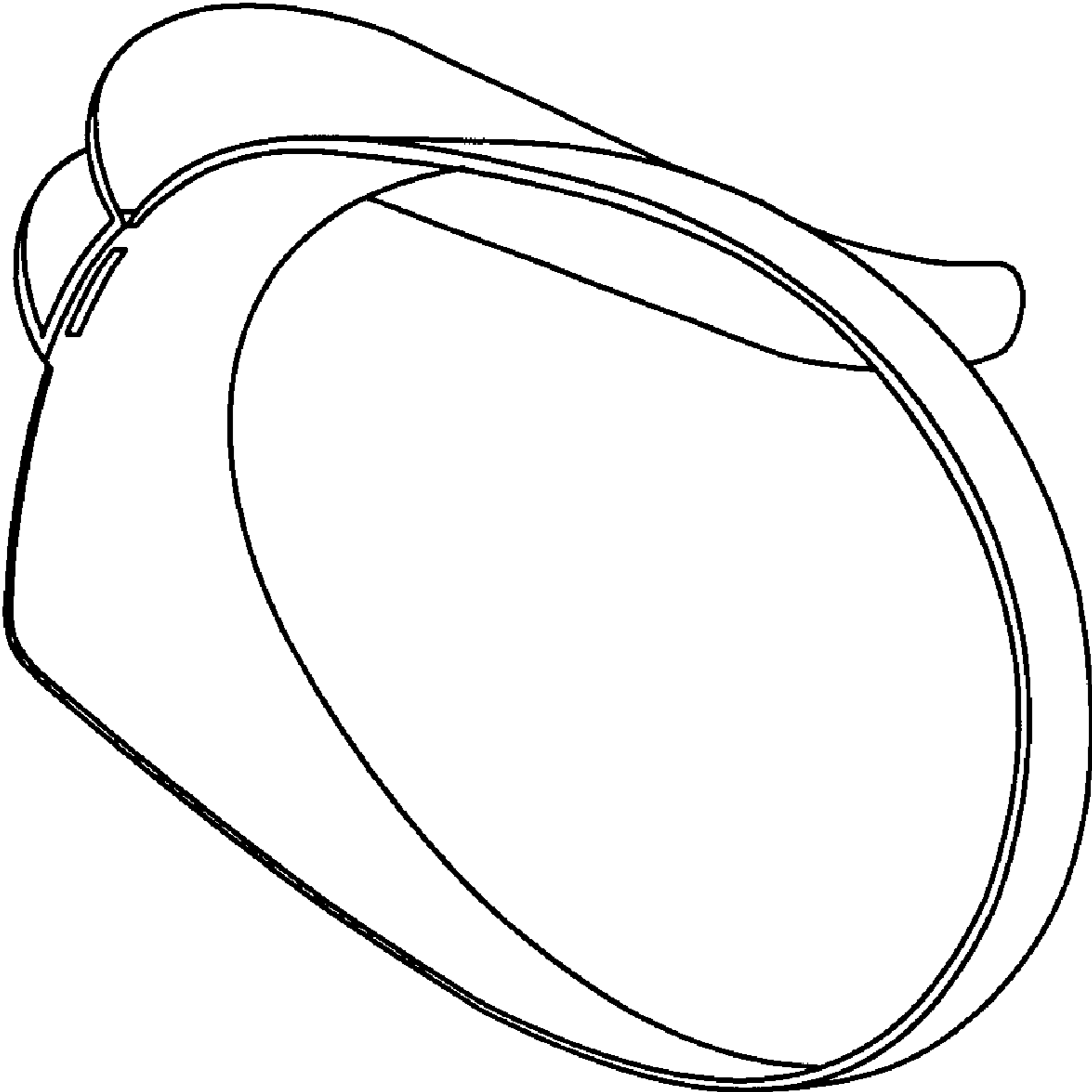


FIG. 17