



US00D550011S

(12) **United States Design Patent**
Kennard

(10) **Patent No.:** **US D550,011 S**

(45) **Date of Patent:** **** Sep. 4, 2007**

(54) **SOAP DISPENSER**

(75) Inventor: **Dan Kennard**, Norcross, GA (US)

(73) Assignee: **Fusion Hardware Group, Inc.**,
Norcross, GA (US)

(**) Term: **14 Years**

(21) Appl. No.: **29/246,526**

(22) Filed: **Apr. 21, 2006**

(51) **LOC (8) Cl.** **23-02**

(52) **U.S. Cl.** **D6/542**

(58) **Field of Classification Search** D6/542-545;
221/282; 222/14, 173, 146.3, 628, 251, 181.1,
222/181.3; D9/682, 688, 690, 691, 448,
D9/449

See application file for complete search history.

(56) **References Cited**

U.S. PATENT DOCUMENTS

D349,649 S *	8/1994	Hanna	D9/448
D438,041 S *	2/2001	Huang	D6/542
D451,735 S *	12/2001	Hanna	D6/542
D466,588 S *	12/2002	Lord	D6/542
D479,779 S *	9/2003	Zhao	D6/542
D488,716 S *	4/2004	Dretzka	D9/448
D489,617 S *	5/2004	Snell	D6/542

D495,032 S *	8/2004	Dretzka	D6/542
D519,372 S *	4/2006	Hsieh	D6/542
D538,092 S *	3/2007	Snell	D6/542

* cited by examiner

Primary Examiner—Brian N Vinson

(74) *Attorney, Agent, or Firm*—Leong C. Lei

(57) **CLAIM**

The ornamental design for a soap dispenser, as shown and described.

DESCRIPTION

FIG. 1 is a perspective view of a soap dispenser showing my new design;

FIG. 2 is a front elevational view thereof;

FIG. 3 is a rear elevational view thereof;

FIG. 4 is a left side elevational view thereof;

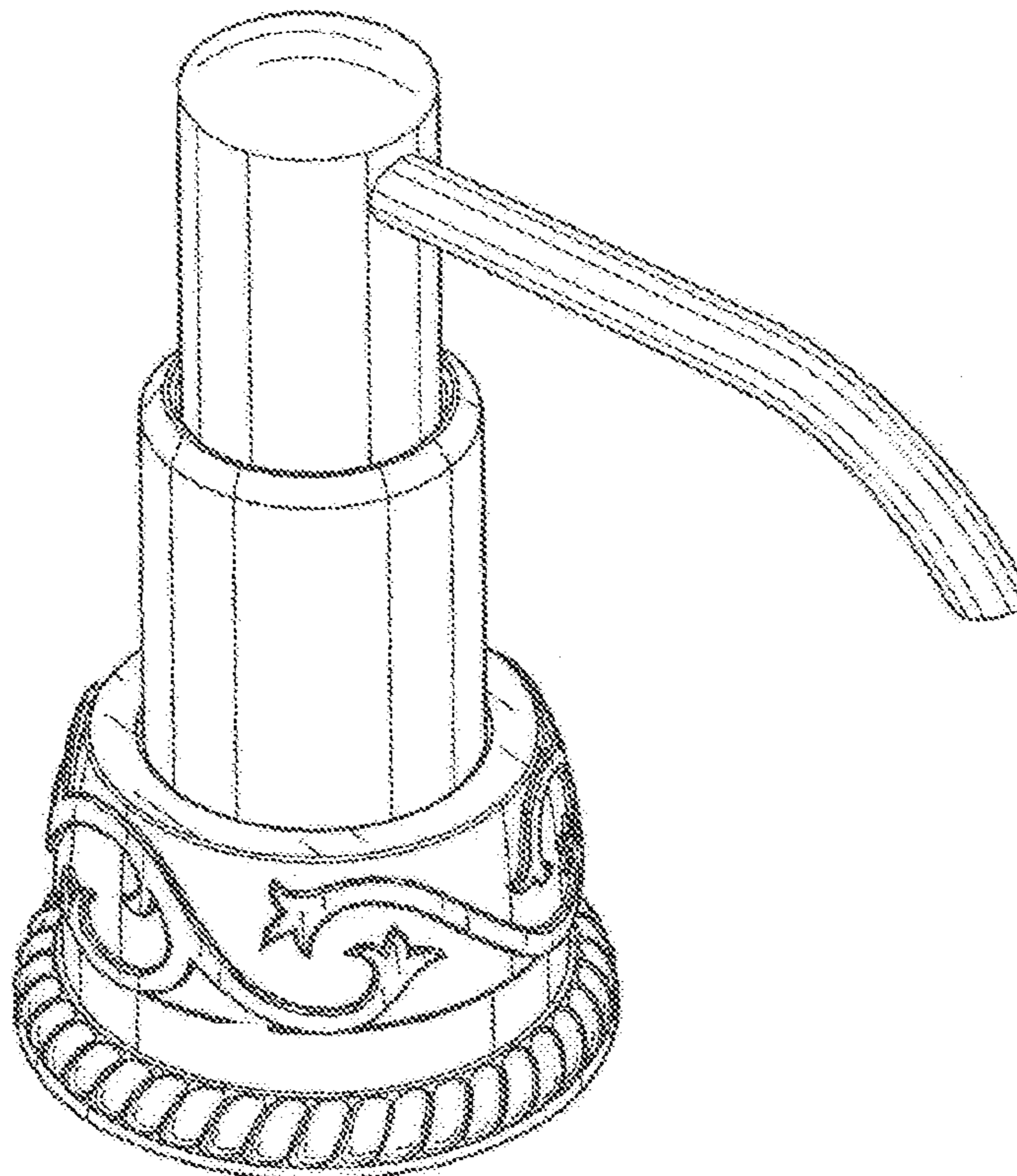
FIG. 5 is a right side elevational view thereof

FIG. 6 is a top plan view thereof; and,

FIG. 7 is a another perspective view thereof, with a liquid soap container engaged.

The dotted line showing of the liquid soap container is for illustrative purposes only and forms no part of the claimed design.

1 Claim, 7 Drawing Sheets



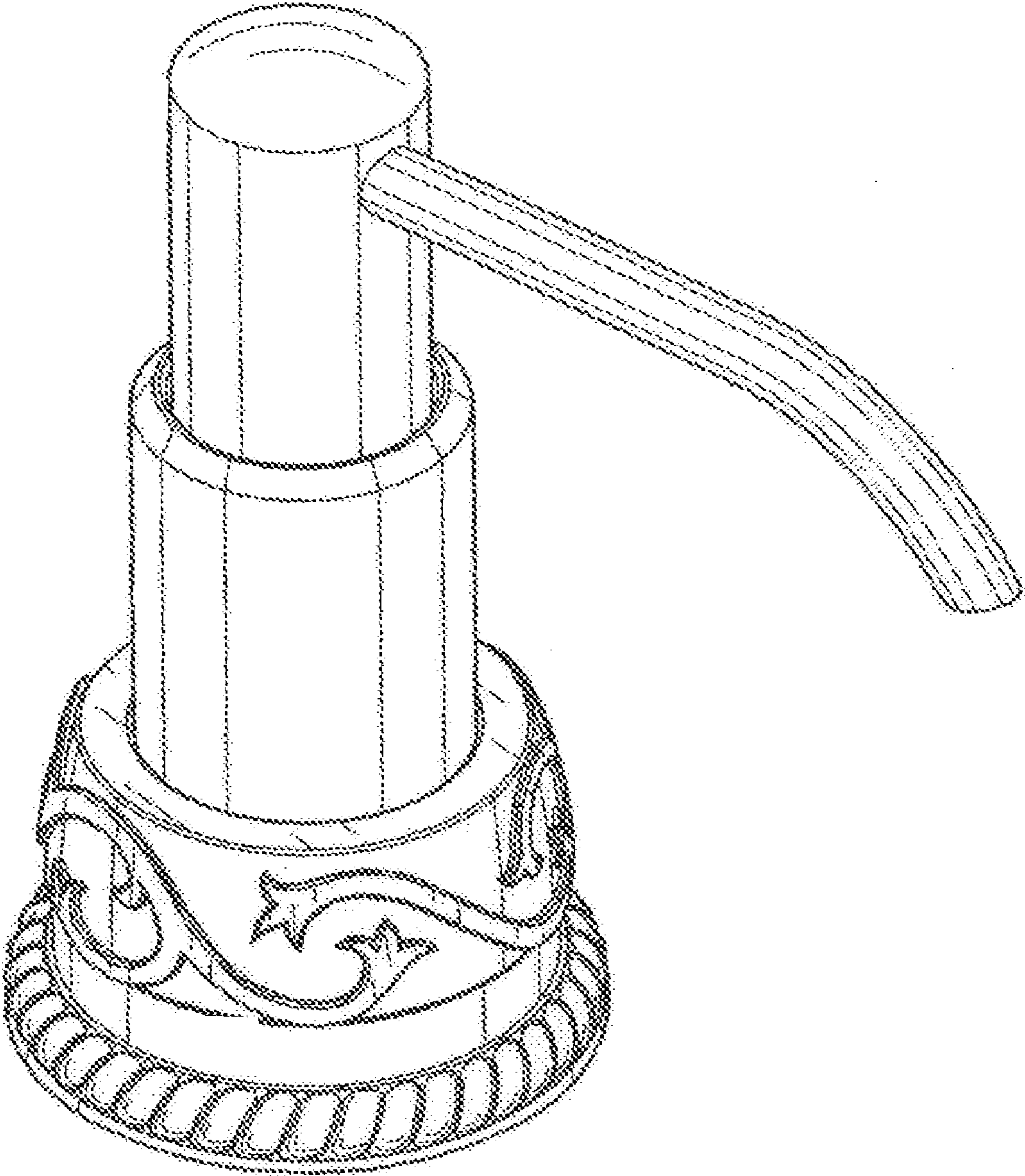


FIG. 1

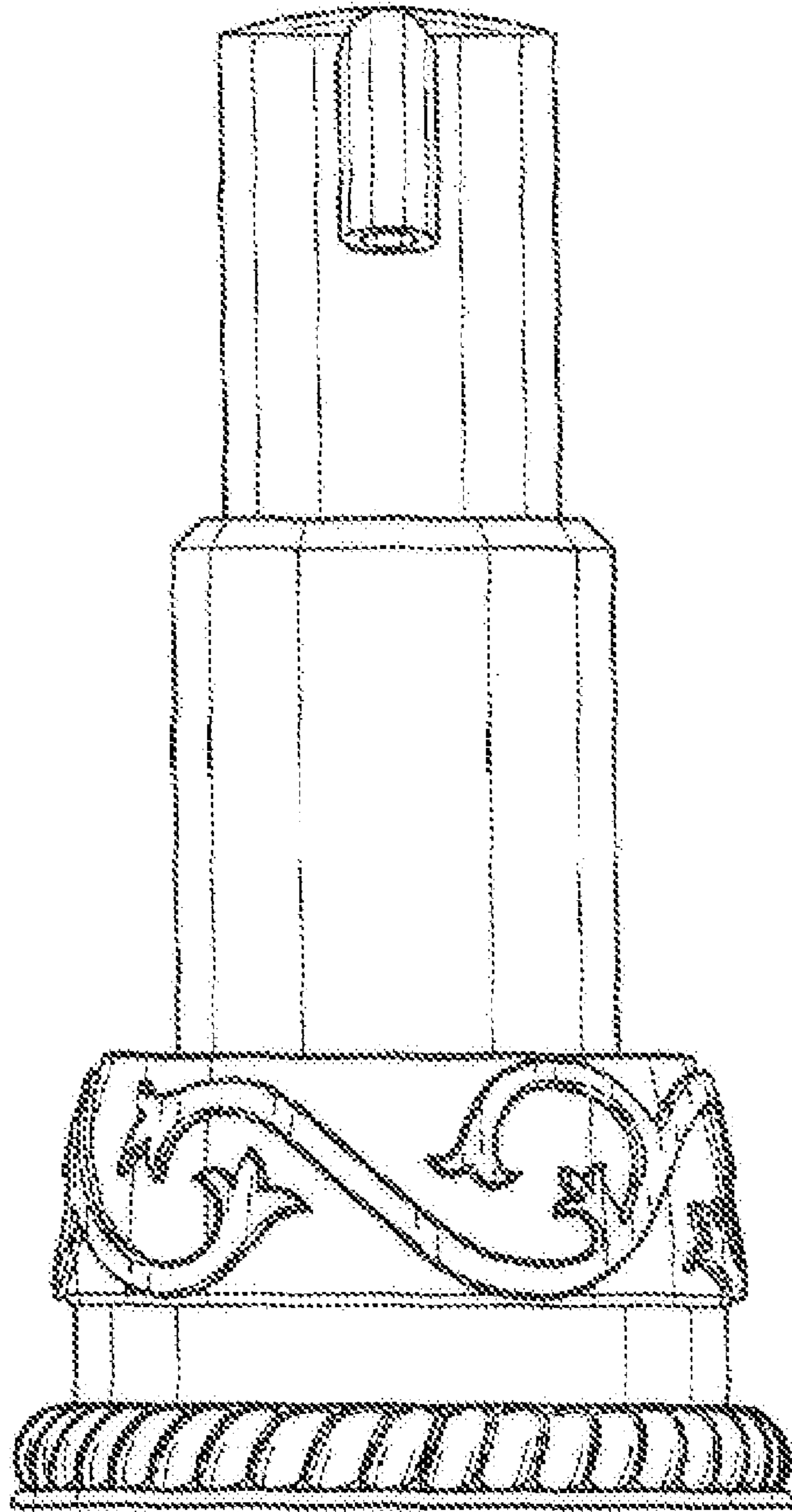


FIG. 2

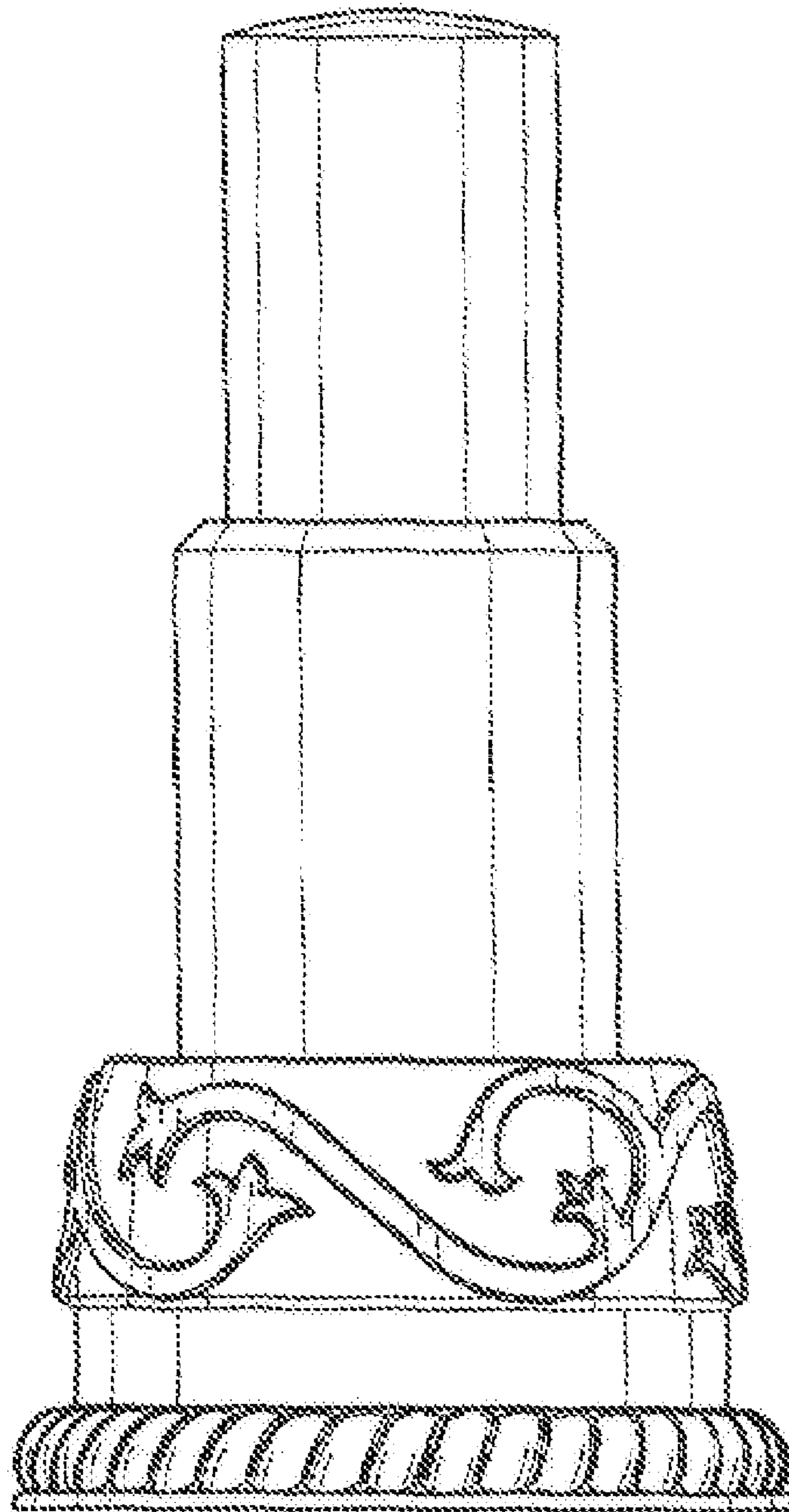


FIG. 3

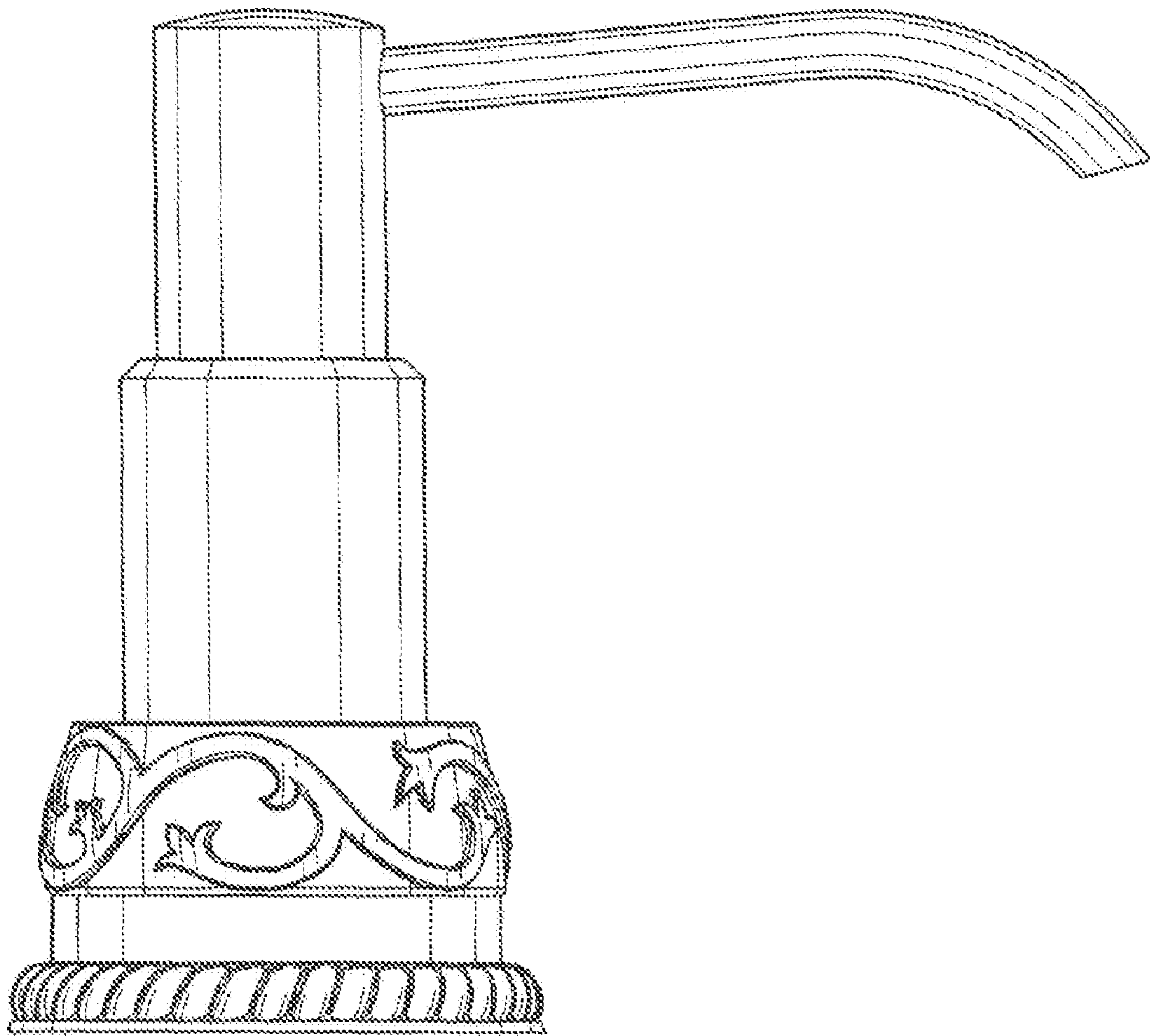


FIG. 4

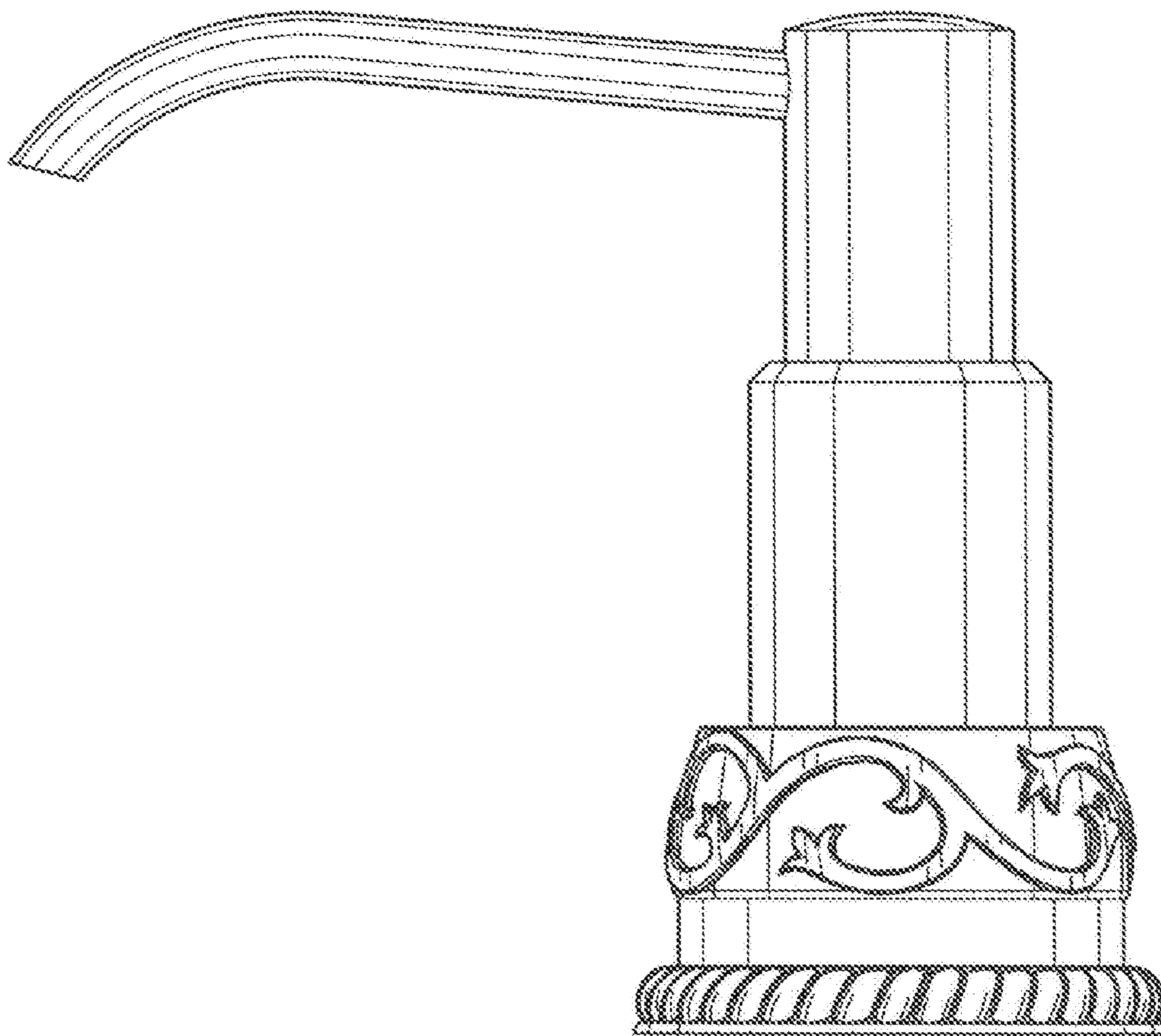


FIG. 5

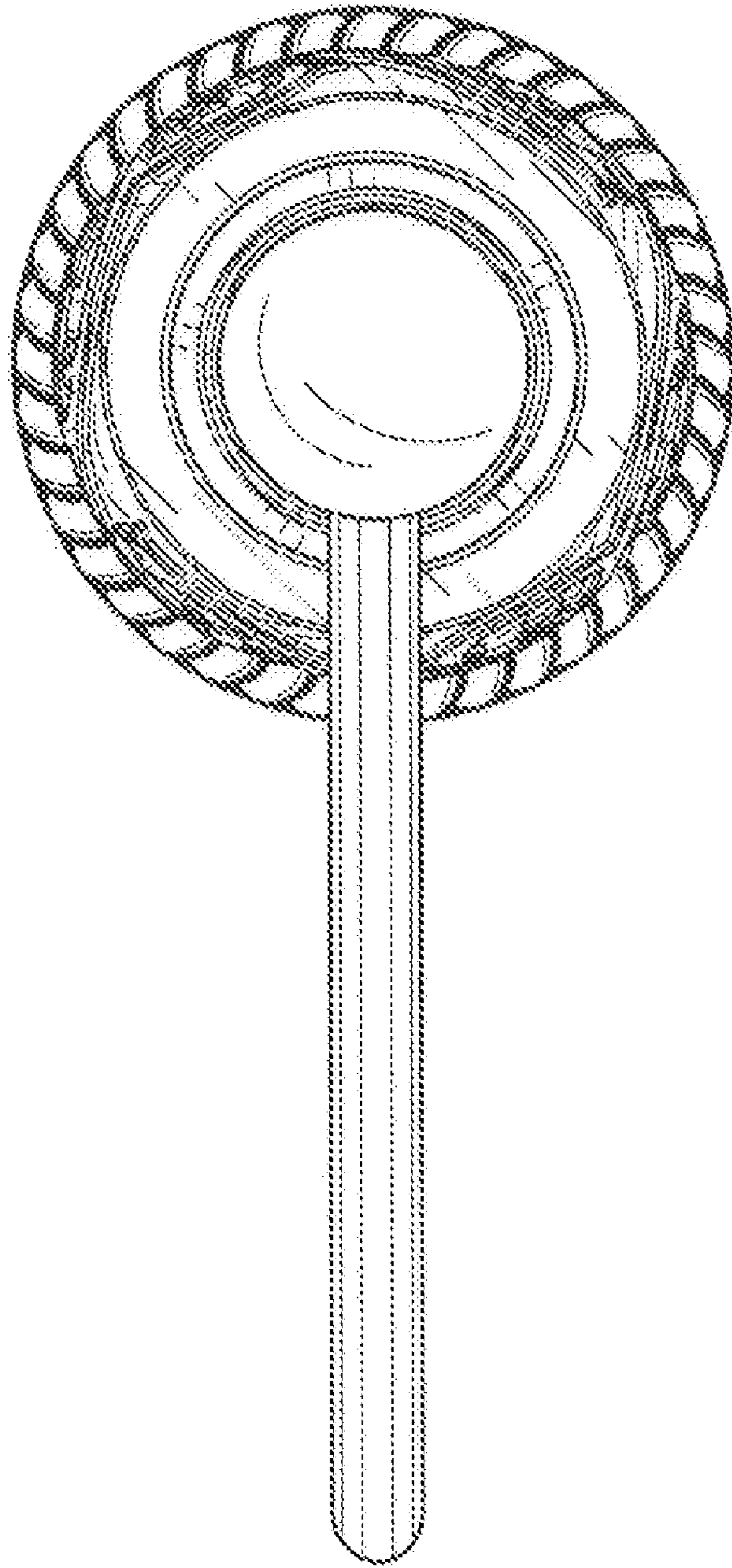


FIG. 6

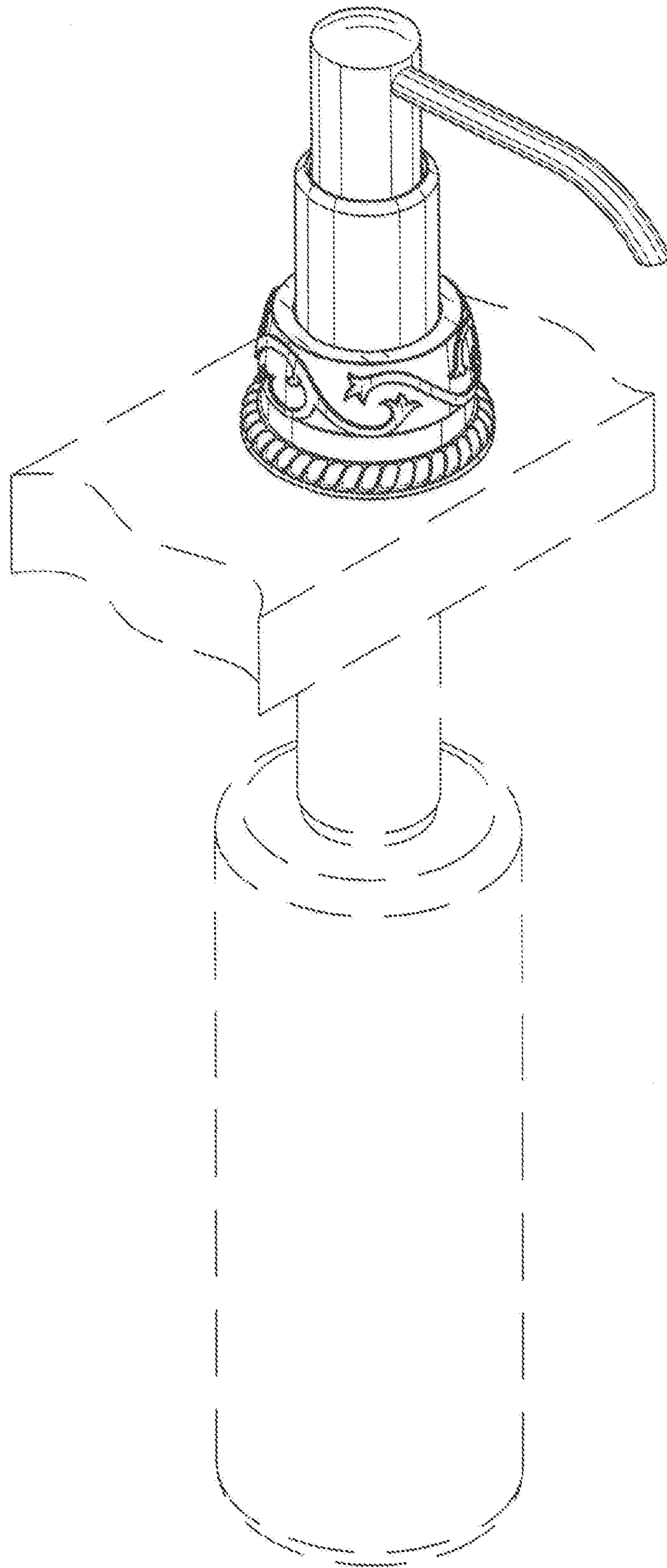


FIG. 7