



US00D550010S

(12) **United States Design Patent**  
**Gilbert**

(10) **Patent No.:** **US D550,010 S**

(45) **Date of Patent:** **\*\* Sep. 4, 2007**

(54) **ACCESSORY POST**

(75) Inventor: **Christopher Jon Gilbert**, Moreland Hills, OH (US)

(73) Assignee: **Moen Incorporated**, North Olmsted, OH (US)

(\*\*) Term: **14 Years**

(21) Appl. No.: **29/258,454**

(22) Filed: **Apr. 20, 2006**

(51) **LOC (8) Cl.** ..... **23-02**

(52) **U.S. Cl.** ..... **D6/524; D6/550**

(58) **Field of Classification Search** ..... D6/546-550, D6/518-523; D8/300, 303, 315-321, 349, D8/354, 363, 373, 380; 108/28-29; 211/13.1, 211/16, 60.1, 100, 86.01, 87.01, 88.01, 88.04, 211/105.1-105.2, 123, 182, 181.1; 248/175, 248/176.1, 251, 302, 309.1; 16/110.1, 412, 16/415; 342/570, 590, 595-598

See application file for complete search history.

(56) **References Cited**

**U.S. PATENT DOCUMENTS**

638,611 A	12/1899	Totham
885,347 A	4/1908	Kenly
D117,171 S	10/1939	Fraser
D349,331 S	8/1994	Bollenbacher
D390,397 S	2/1998	Chen
D421,789 S	3/2000	Delker et al.
D461,000 S	7/2002	Mullenmeister
D461,231 S	8/2002	Mullenmeister
D463,535 S	9/2002	Singtoroj
D468,810 S	1/2003	Smith
D469,854 S	2/2003	Ouyoung
D472,615 S	4/2003	Smith
D474,957 S	5/2003	Singtoroj et al.

D491,640 S	6/2004	Lin	
D491,641 S	6/2004	Lin	
D491,642 S	6/2004	Lin	
D492,009 S	6/2004	Egee	
D498,625 S	11/2004	Chang	
D510,416 S	10/2005	Fritz	
D517,359 S *	3/2006	Berberet	..... D6/550
D520,790 S *	5/2006	Chen	..... D6/550
D522,786 S *	6/2006	Chu et al.	..... D6/550

\* cited by examiner

*Primary Examiner*—Brian N Vinson

(74) *Attorney, Agent, or Firm*—Calfee, Halter & Griswold LLP

(57) **CLAIM**

The ornamental design for an accessory post, as shown and described.

**DESCRIPTION**

FIG. 1 is a perspective view of an accessory post of the new design;

FIG. 2 is a front elevational view of the accessory post of FIG. 1;

FIG. 3 is a rear elevational view of the accessory post of FIG. 1;

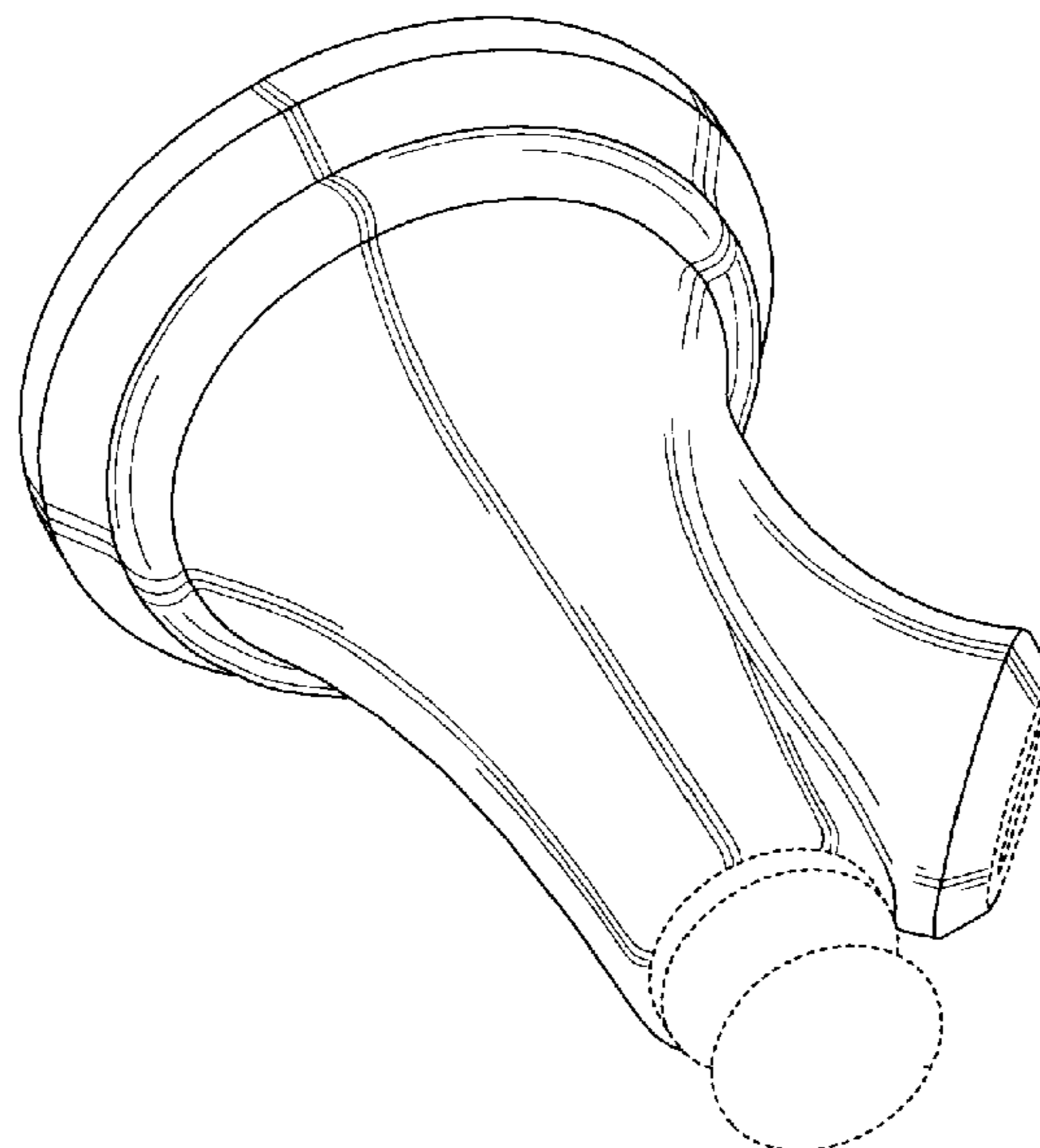
FIG. 4 is a left side elevational view of the accessory post of FIG. 1;

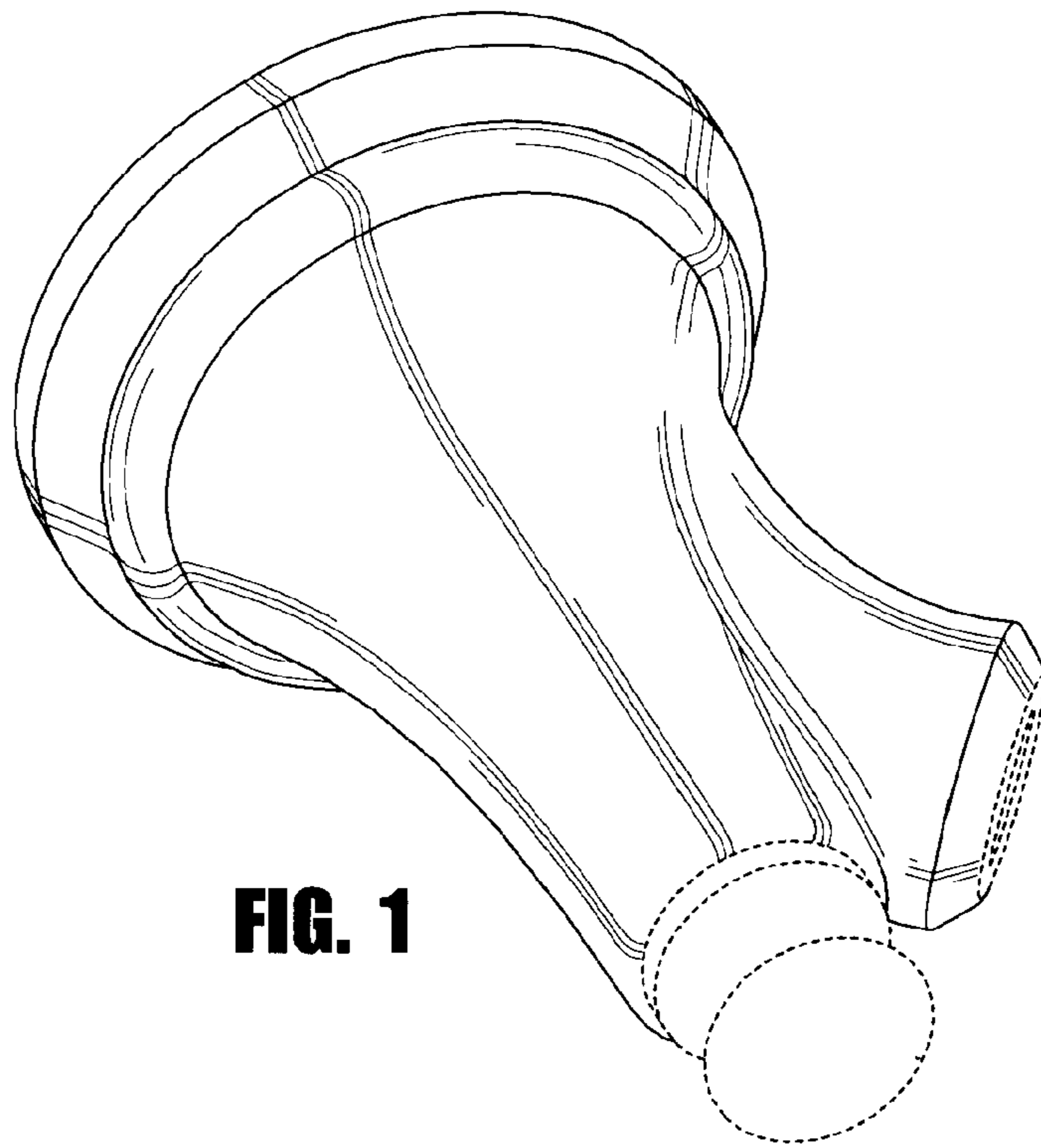
FIG. 5 is a right side elevational view of the accessory post of FIG. 1; and,

FIG. 6 is a bottom plan view of the accessory post of FIG. 1.

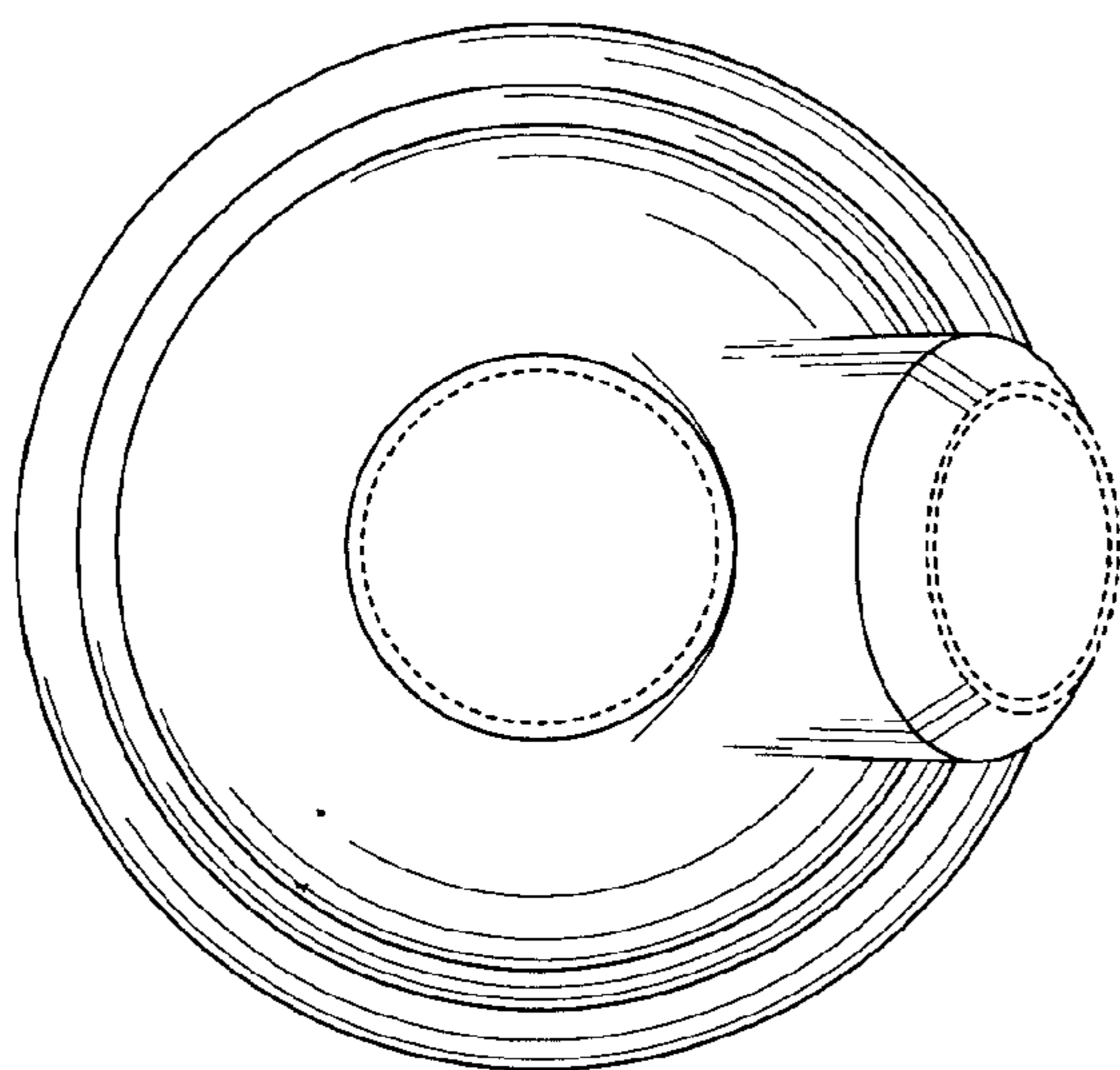
The portions of the Figures shown in broken lines are not part of the claimed design and are for illustration only.

**1 Claim, 3 Drawing Sheets**

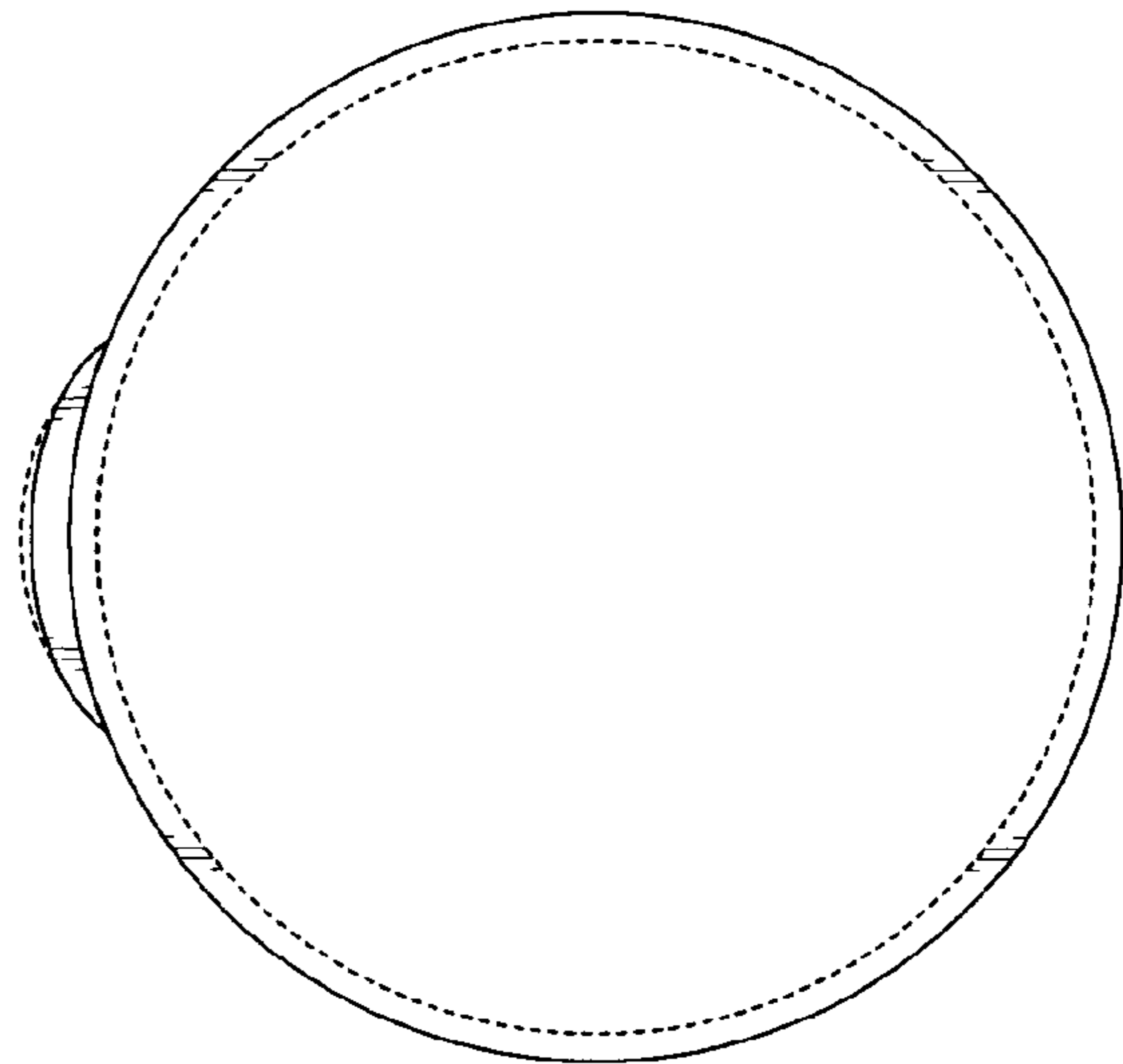




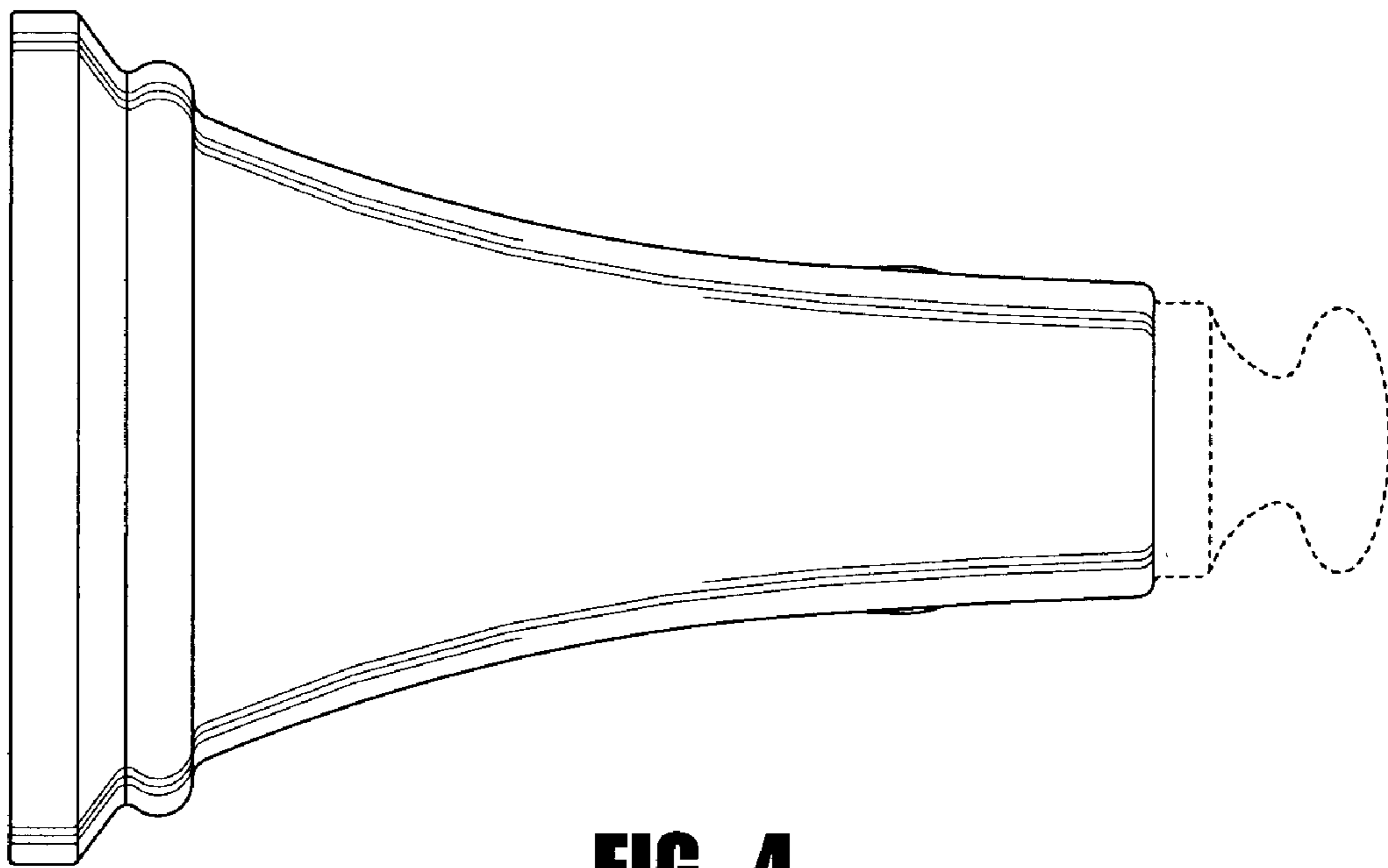
**FIG. 1**



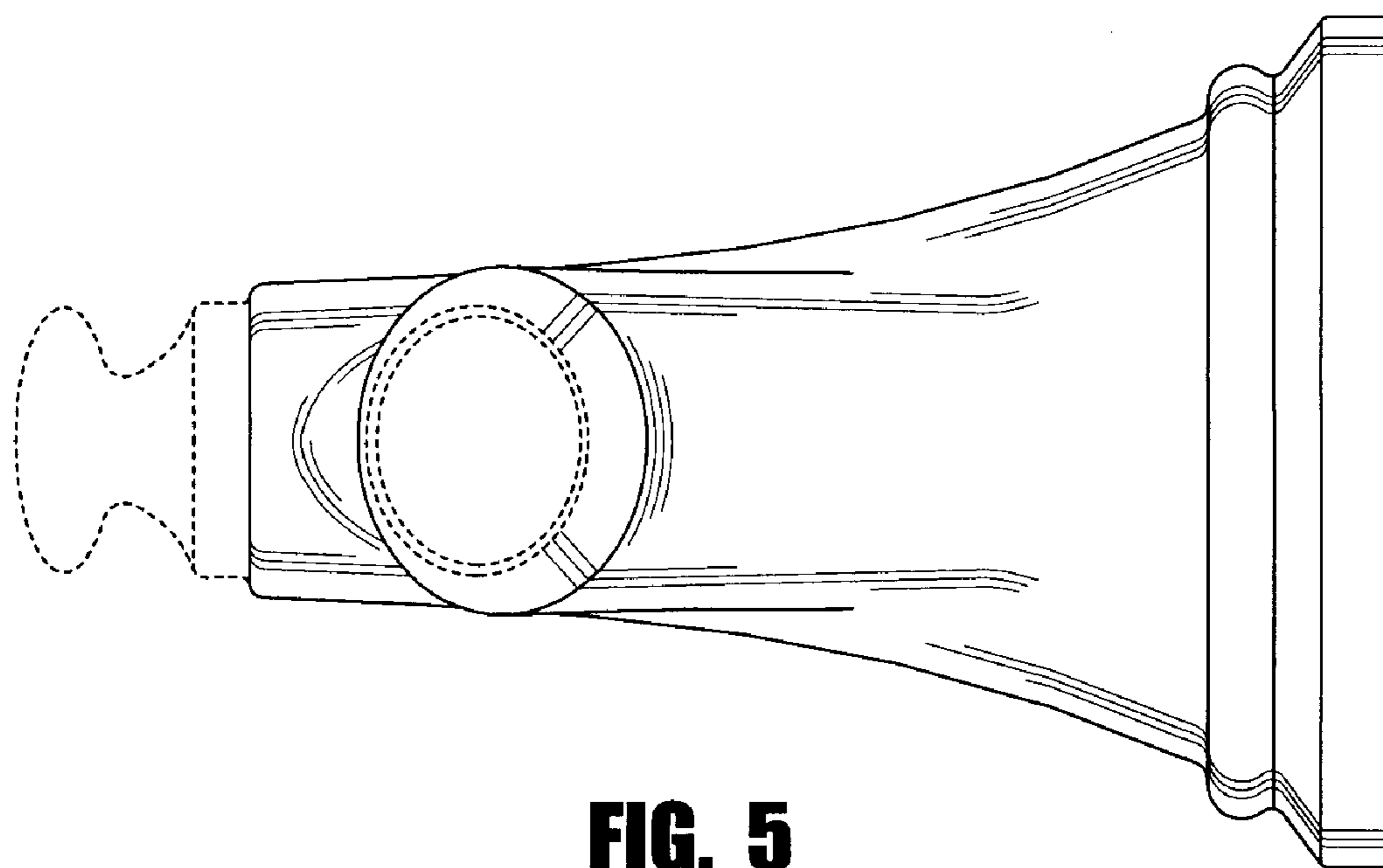
**FIG. 2**



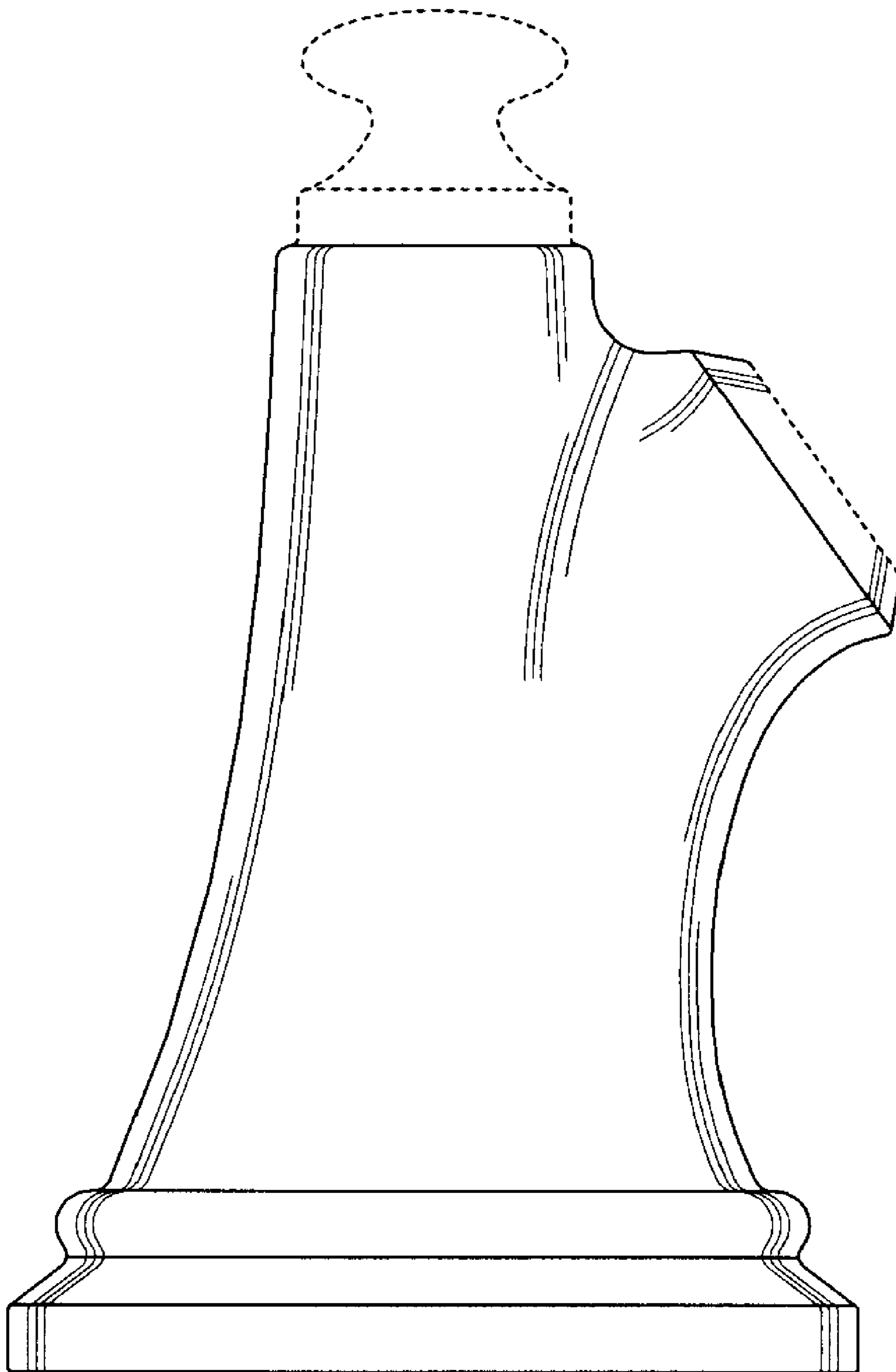
**FIG. 3**



**FIG. 4**



**FIG. 5**



**FIG. 6**