

US00D550009S

(12) **United States Design Patent**
Rexach

(10) **Patent No.:** **US D550,009 S**

(45) **Date of Patent:** **** Sep. 4, 2007**

(54) **WALL MOUNTABLE SUPPORT**

(75) Inventor: **Rafael Rexach**, Kohler, WI (US)

(73) Assignee: **Kohler Co.**, Kohler, WI (US)

(**) Term: **14 Years**

(21) Appl. No.: **29/256,641**

(22) Filed: **Mar. 23, 2006**

(51) **LOC (8) Cl.** **23-02**

(52) **U.S. Cl.** **D6/524; D6/550**

(58) **Field of Classification Search** D6/546-550,
D6/518-523; D8/300, 303, 315-321, 349,
D8/354, 363, 373, 380; 108/28-29; 211/13.1,
211/16, 60.1, 100, 86.01, 87.01, 88.01, 88.04,
211/105.1-105.2, 123, 182, 181.1; 248/175,
248/176.1, 251, 302, 309.1; 16/110.1, 412,
16/415; 242/570, 590, 595-598

See application file for complete search history.

(56) **References Cited**

U.S. PATENT DOCUMENTS

D53,683 S 8/1919 Jordan

(Continued)

OTHER PUBLICATIONS

Smedbo, "Villa Line" Spare Toilet Roll Holder. Model No. SM-K220, SMV22on, SM-V220.

(Continued)

Primary Examiner—Brian N Vinson

(74) *Attorney, Agent, or Firm*—Quarles & Brady LLP

(57) **CLAIM**

The ornamental design for a wall mountable support, as shown and described.

DESCRIPTION

In a preferred embodiment, the nature of this product is a wall mountable support, such as a towel ring, a toilet paper holder, a soap dish, a robe hook, a single rung towel bar, a double rung towel bar, or an escutcheon for use in supporting wall mountable items.

FIG. 1 is a right, top, front perspective view of a wall mountable support according to my new design;

FIG. 2 is a front elevational view thereof;

FIG. 3 is a right side elevational view thereof, the left side elevational view being a mirror image the right side shown;

FIG. 4 is a top plan view thereof; the bottom plan view thereof being identical to the top view shown;

FIG. 5 is a rear elevational view thereof;

FIG. 6 is a right, top, front perspective view of the wall mountable support of FIG. 1 shown with towel ring environment in phantom;

FIG. 7 is a right, top, front perspective view of the wall mountable support of FIG. 1 shown with holder environment in phantom;

FIG. 8 is a right, top, front perspective view of the wall mountable support of FIG. 1 shown with dish environment in phantom;

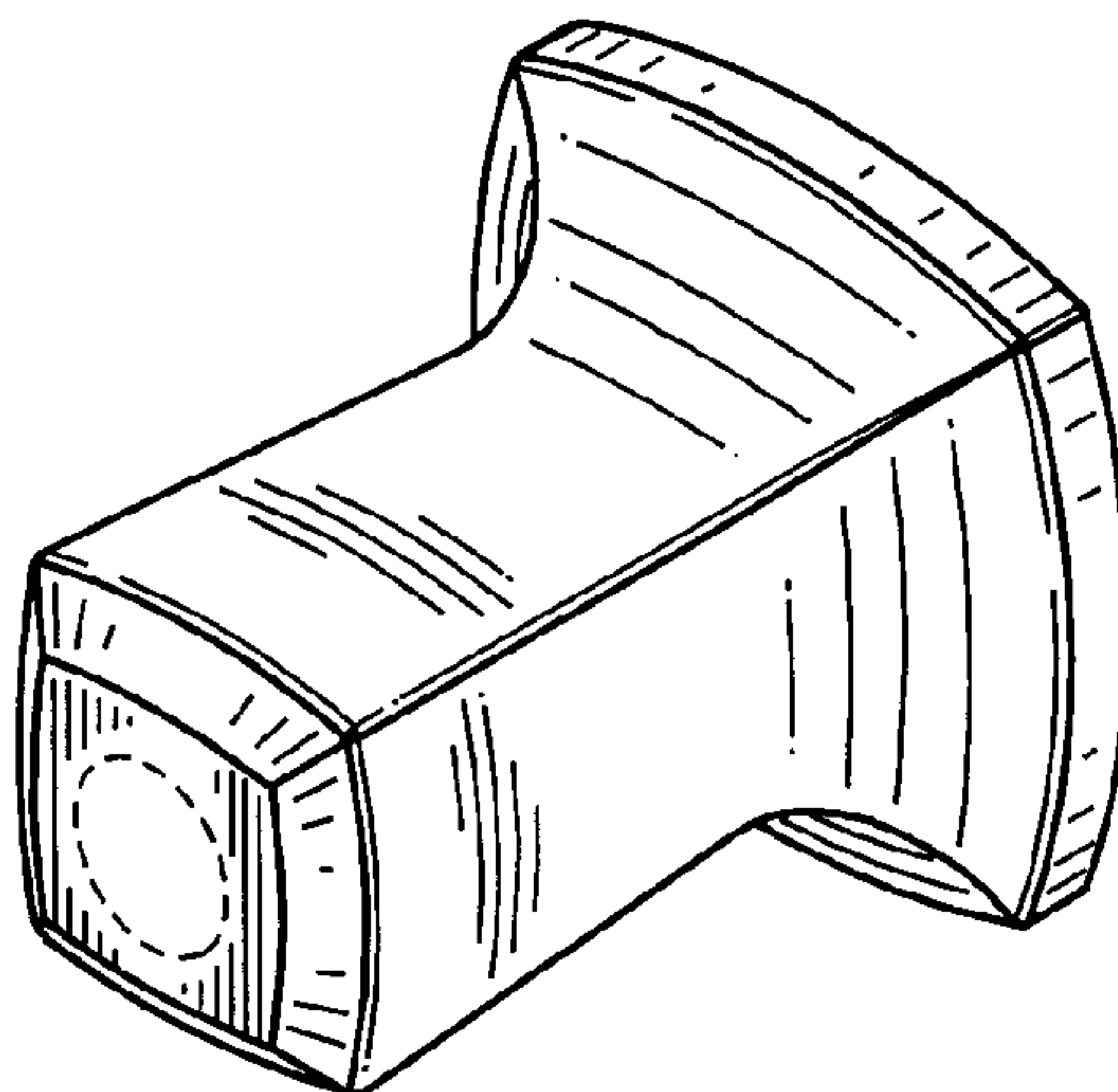
FIG. 9 is a right, top, front perspective view of the wall mountable support of FIG. 1 shown with hook environment in phantom;

FIG. 10 is a right, top, front perspective view of the wall mountable support of FIG. 1 shown with bar and additional support environment in phantom; and,

FIG. 11 is a right, top, front perspective view of the wall mountable support of FIG. 1 shown with double bar and additional support environment in phantom.

The broken line representations of openings in FIGS. 1-2 and 5, ring environment in FIG. 6, holder environment in FIG. 7, dish environment in FIG. 8, hook environment in FIG. 9, bar and additional support environment in FIGS. 10 and 11 are for the purpose of illustration only, and form no part of the claimed design.

1 Claim, 7 Drawing Sheets



US D550,009 S

Page 2

U.S. PATENT DOCUMENTS

D188,714 S * 8/1960 Ronistall D6/550
D293,184 S 12/1987 Chap
D453,649 S 2/2002 Hoernig
D465,369 S 11/2002 Moore
D466,741 S 12/2002 Moore
D477,737 S 7/2003 Hoernig
D478,755 S 8/2003 Moore
D478,759 S 8/2003 Hoernig
D481,234 S * 10/2003 Lai D6/524
D493,645 S 8/2004 Ayers et al.
D493,990 S 8/2004 Ayers et al.
D494,455 S * 8/2004 Winter et al. D8/376
D498,101 S 11/2004 Wu
D499,592 S * 12/2004 Sale, Jr. D6/550
D518,324 S * 4/2006 Qu et al. D6/550
D528,838 S * 9/2006 Berberet et al. D6/550
D530,556 S * 10/2006 Berberet et al. D6/550

OTHER PUBLICATIONS

Kohler Co., Kohler Co. online catalog; "Stillness Toilet Tissue Holder".

Kohler Co., "Forte" Soap Dish. Kohler Co. online catalog.
Kohler Co., "Stillness" Soap Dish. Kohler Co. online catalog.
Alwin (NINGBO) Products Inc. Soap Dish.
Kohler Co., "Memoirs Robe Hook with Stately Design". Kohler Co. online catalog.
Kohler Co., "Bancroft Robe Hook", Kohler Co. online catalog.
Kallista "Barbara Barry Bathroom Accessories" Towel Bar. Kallista Catalog, p. 1.36.
Kohler Co., Catalog p. 27. Towel Bar.
Kohler Co., "Pinstripe Towel Ring". Kohler Co. online catalog.
Hastings Catalog. Towel Ring.
Kohler Co., "Taboret". Kohler Co. catalog p. 195.
Kohler Co., "Portrait 24" Double Towel Bar Kohler Co. online catalog.

* cited by examiner

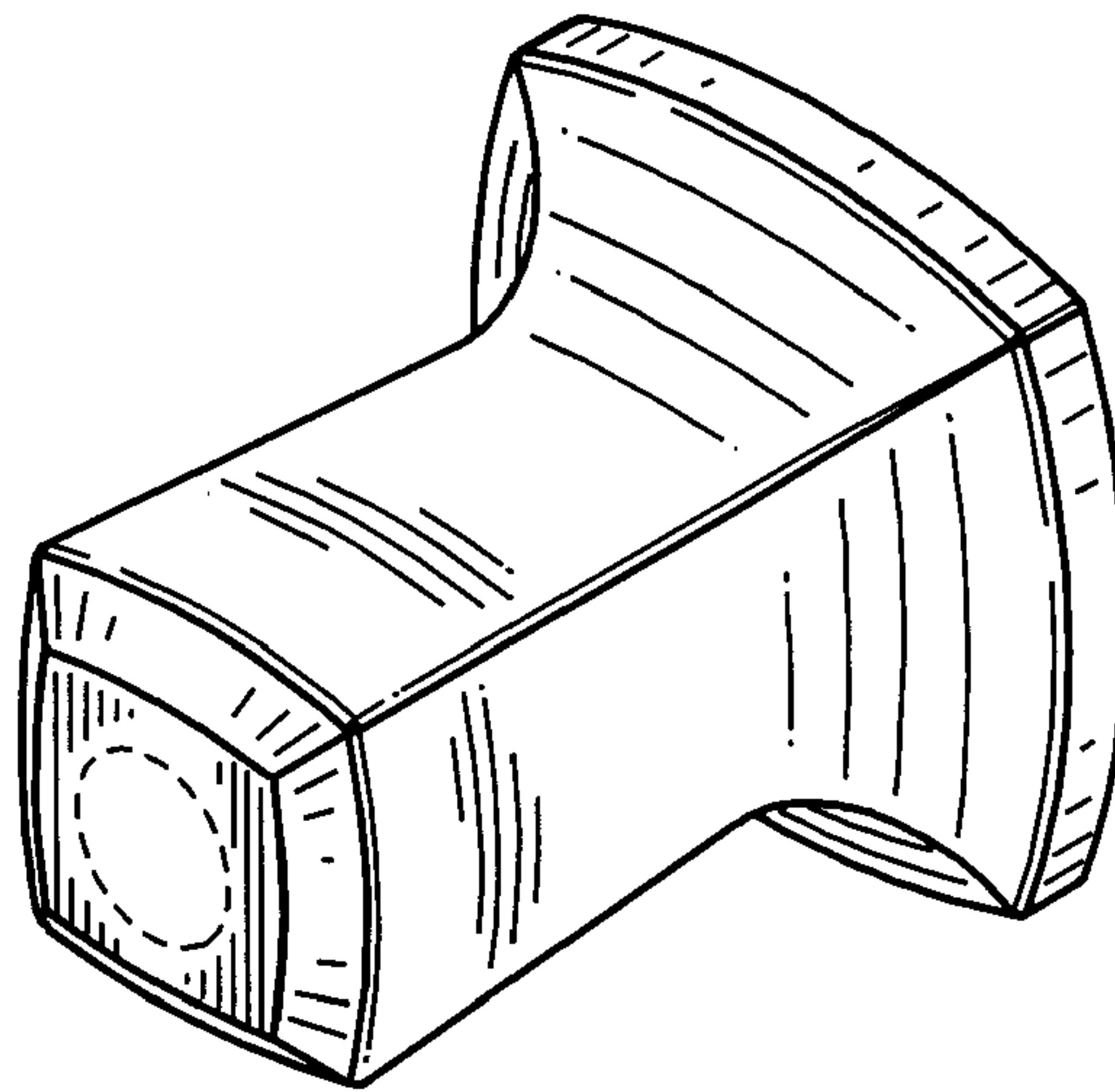


FIG. 1

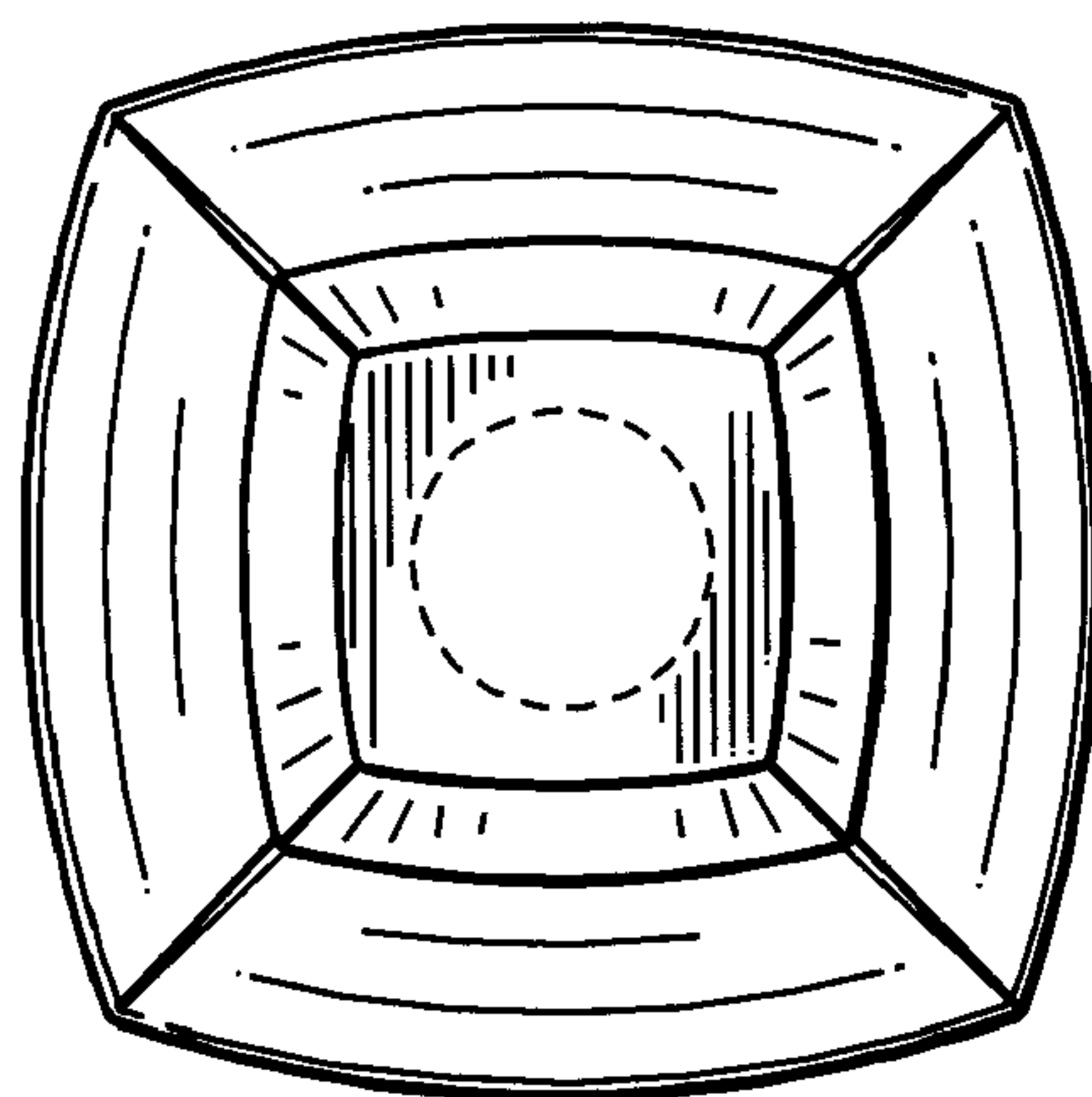


FIG. 2

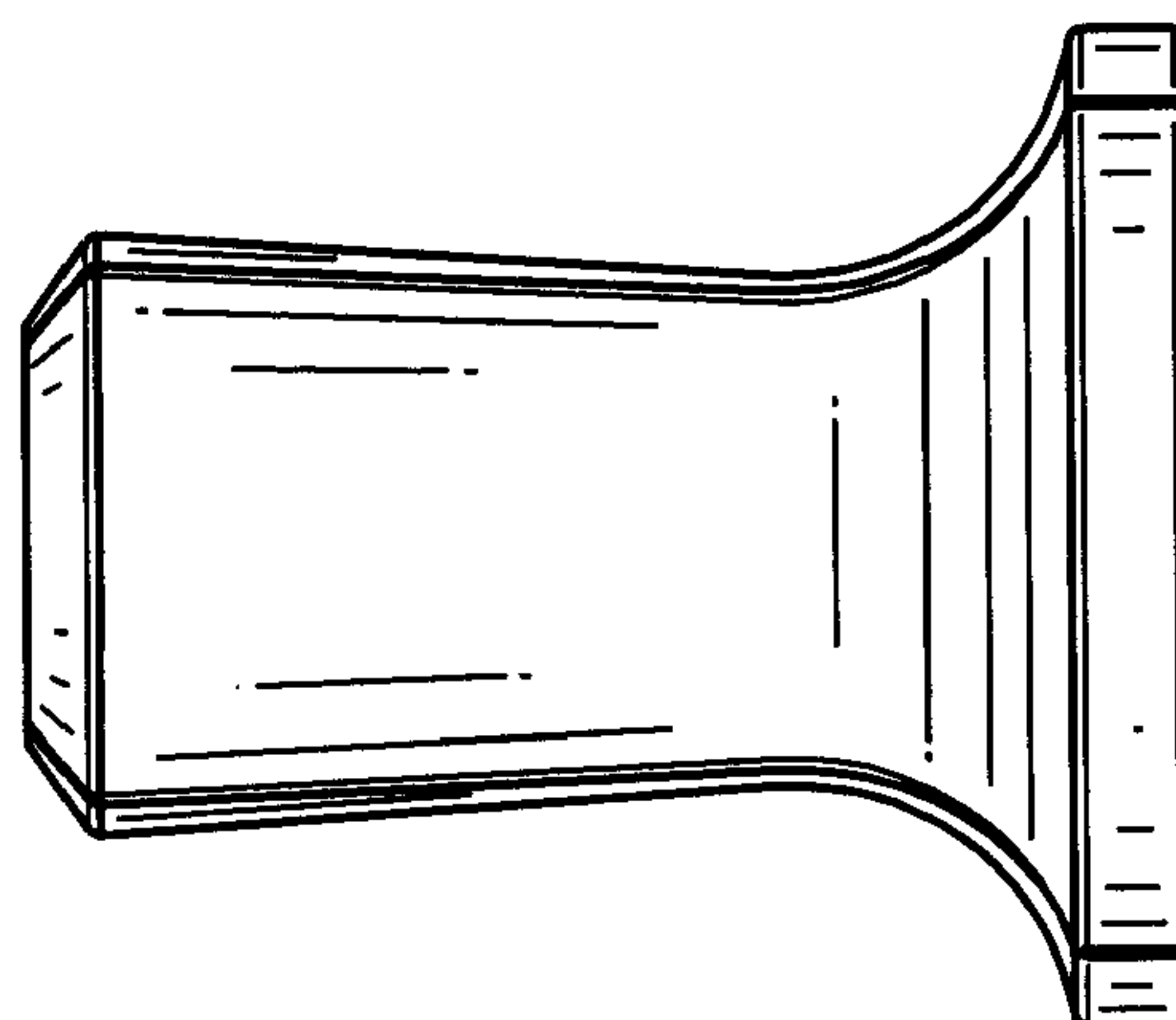


FIG. 3

FIG. 4

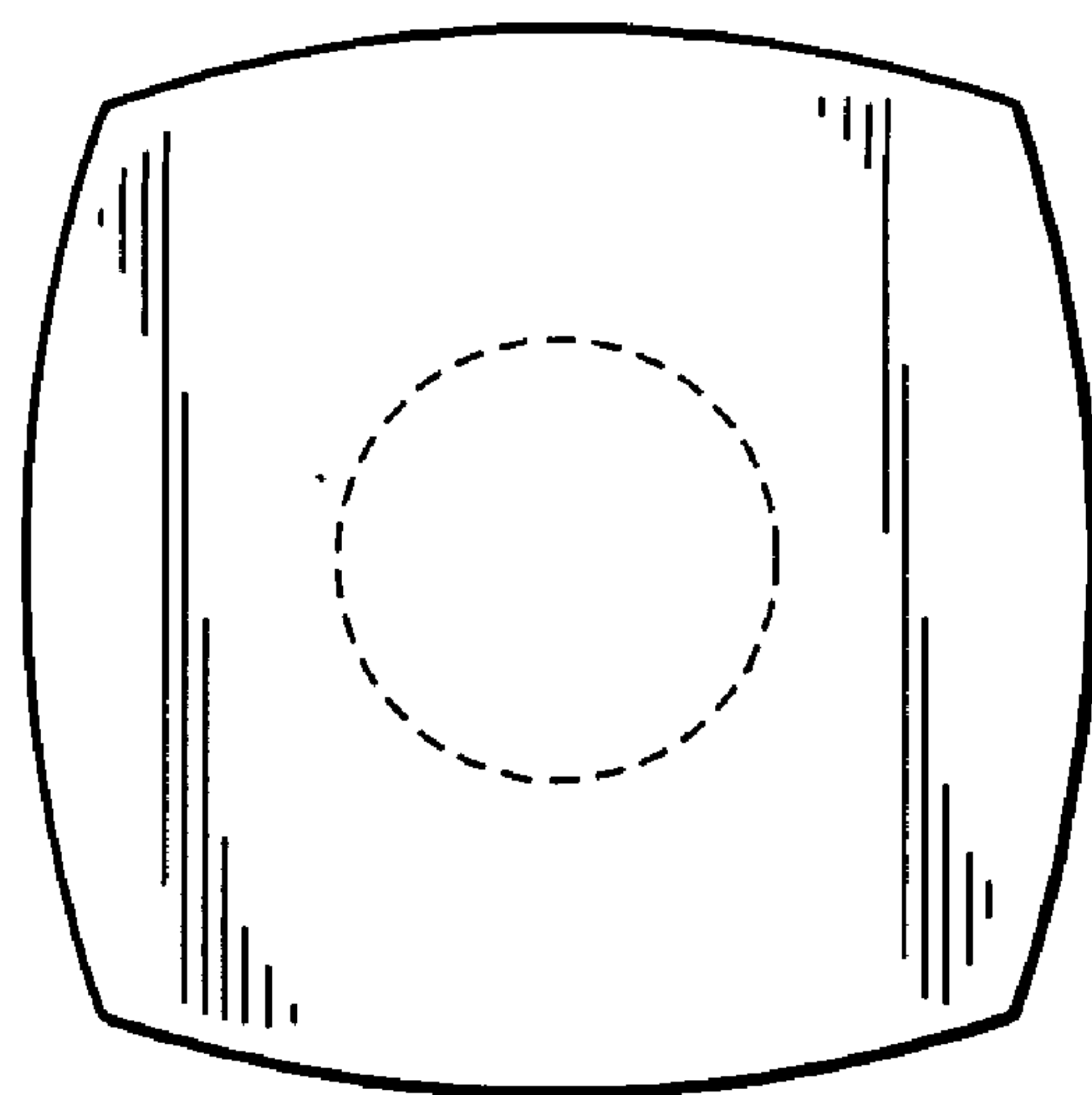
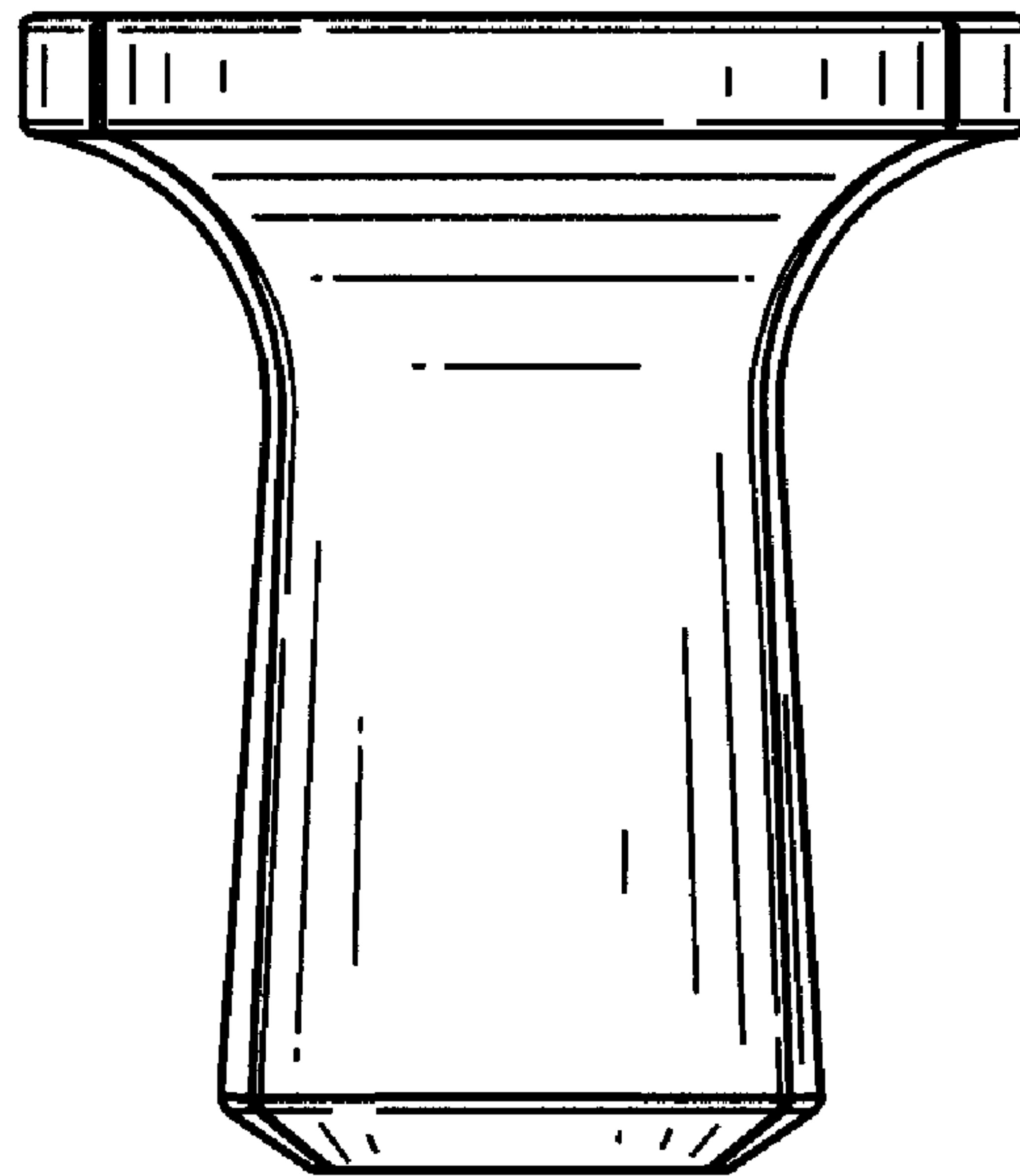
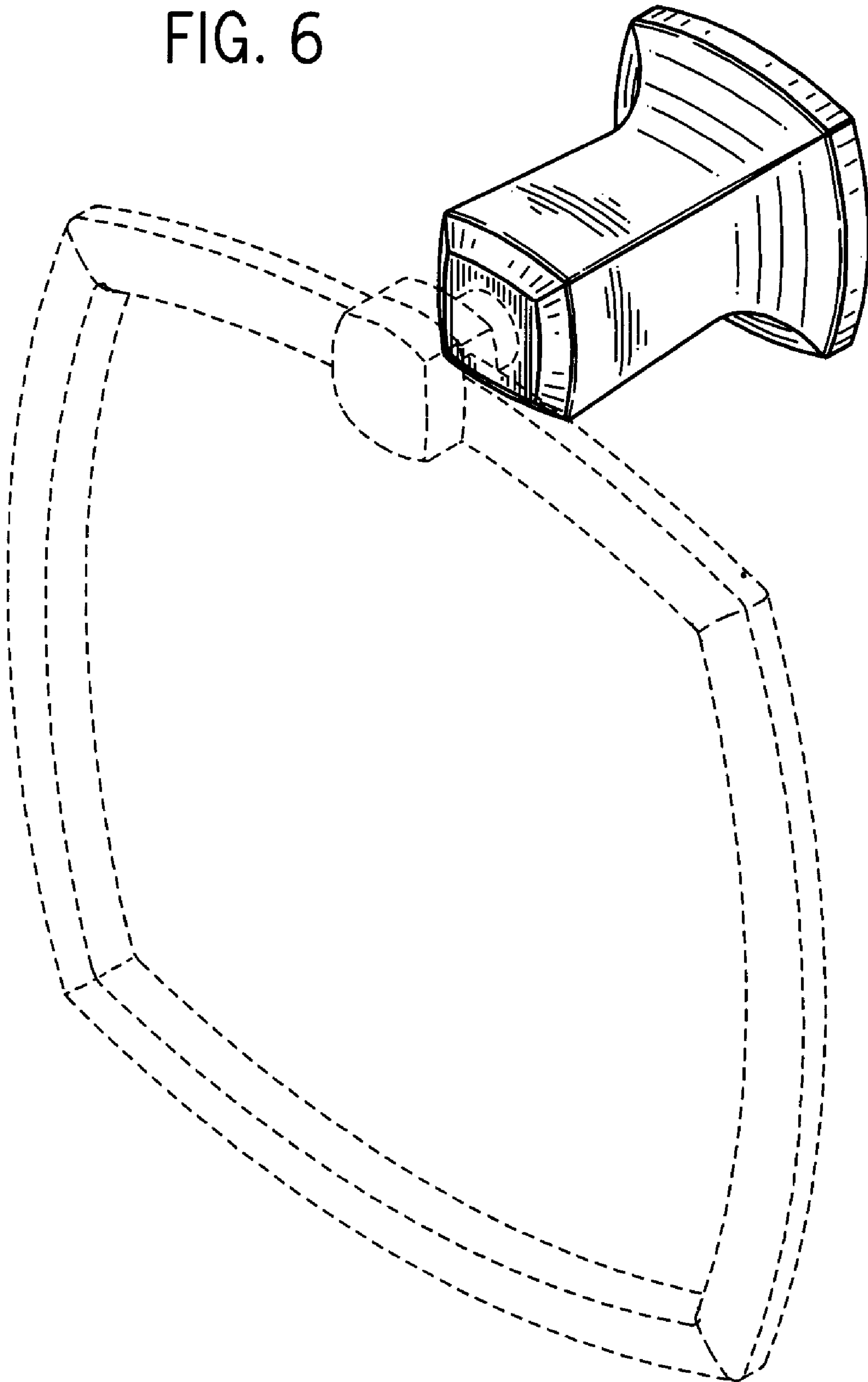


FIG. 5

FIG. 6



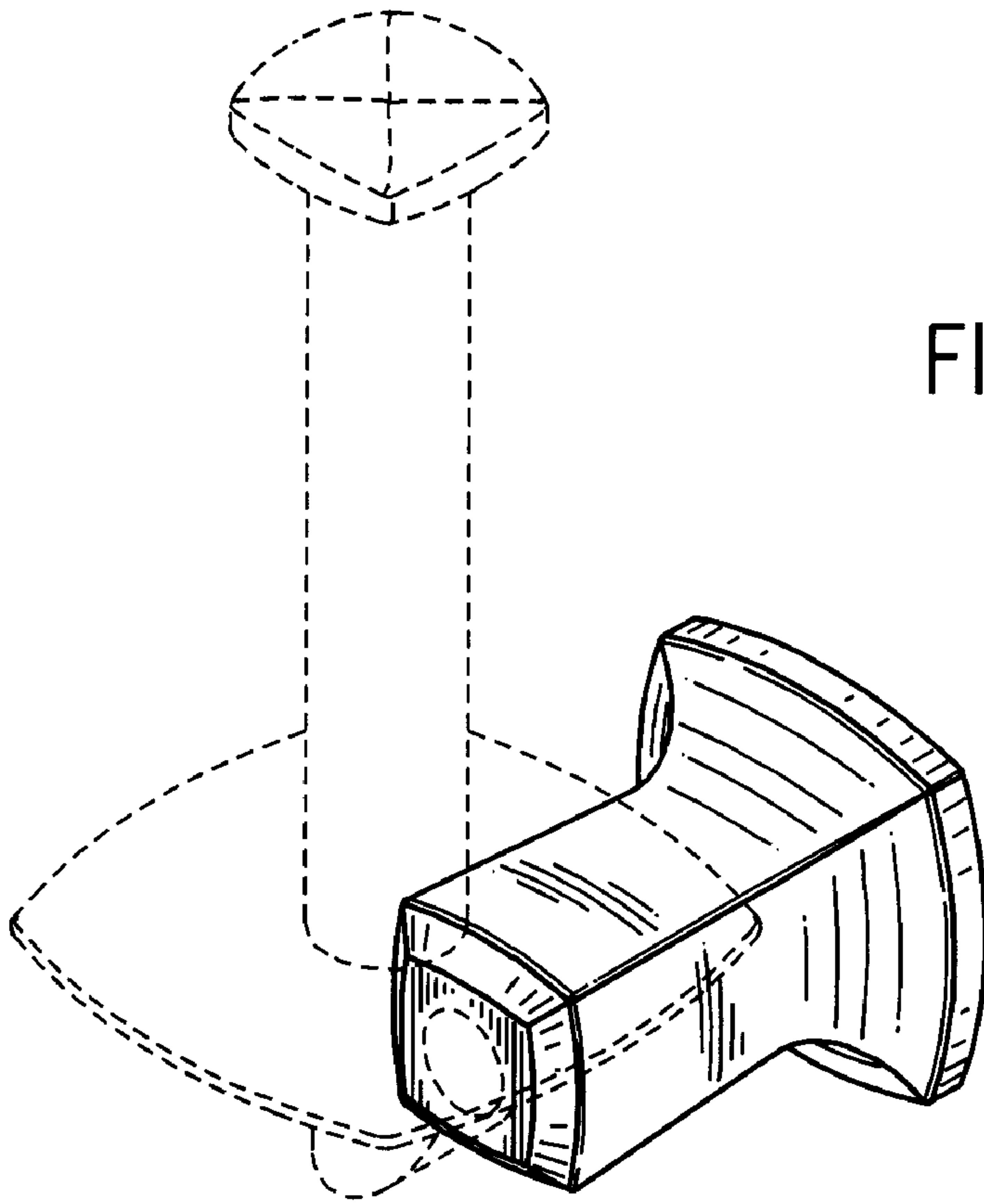


FIG. 7

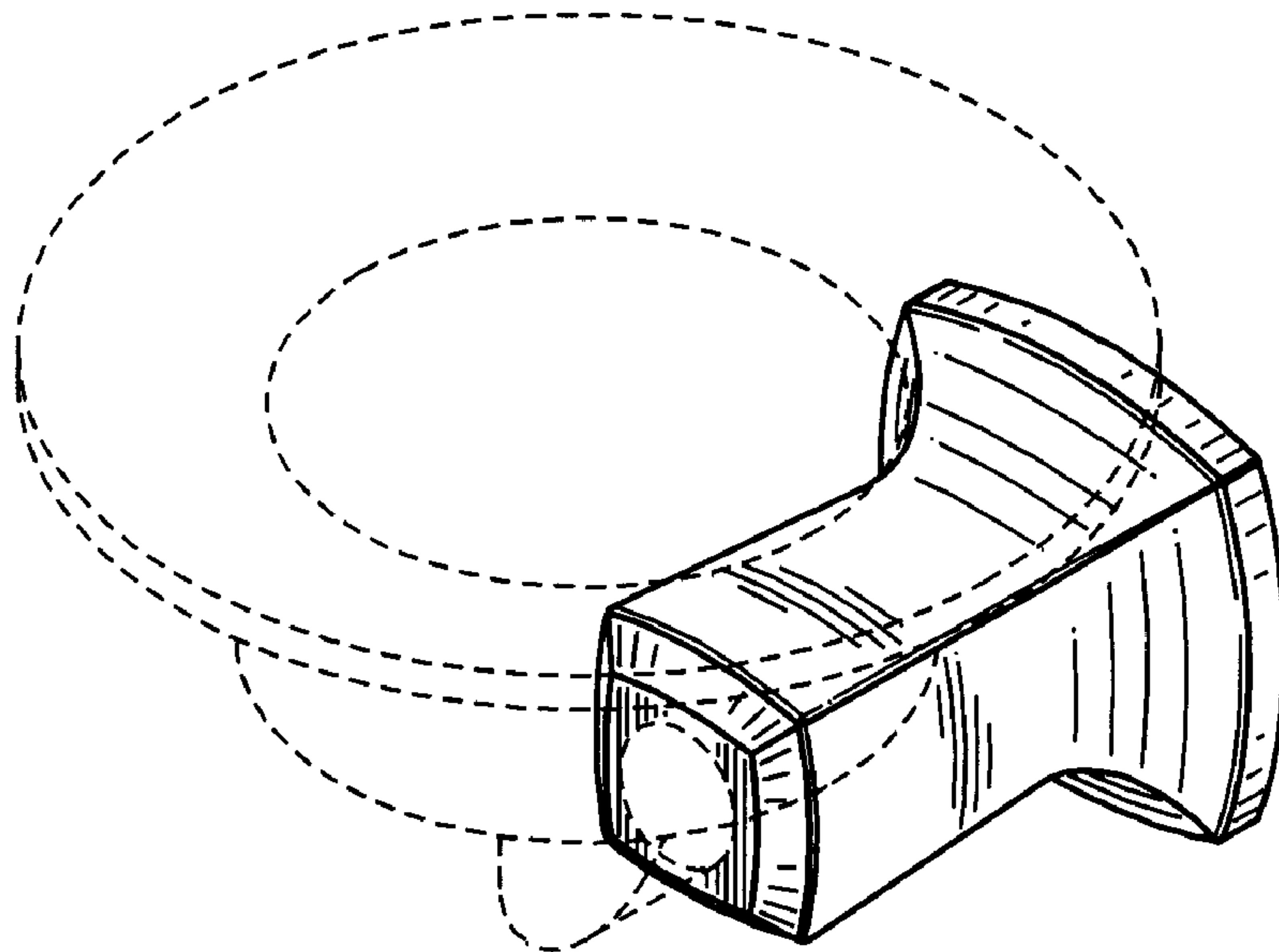


FIG. 8

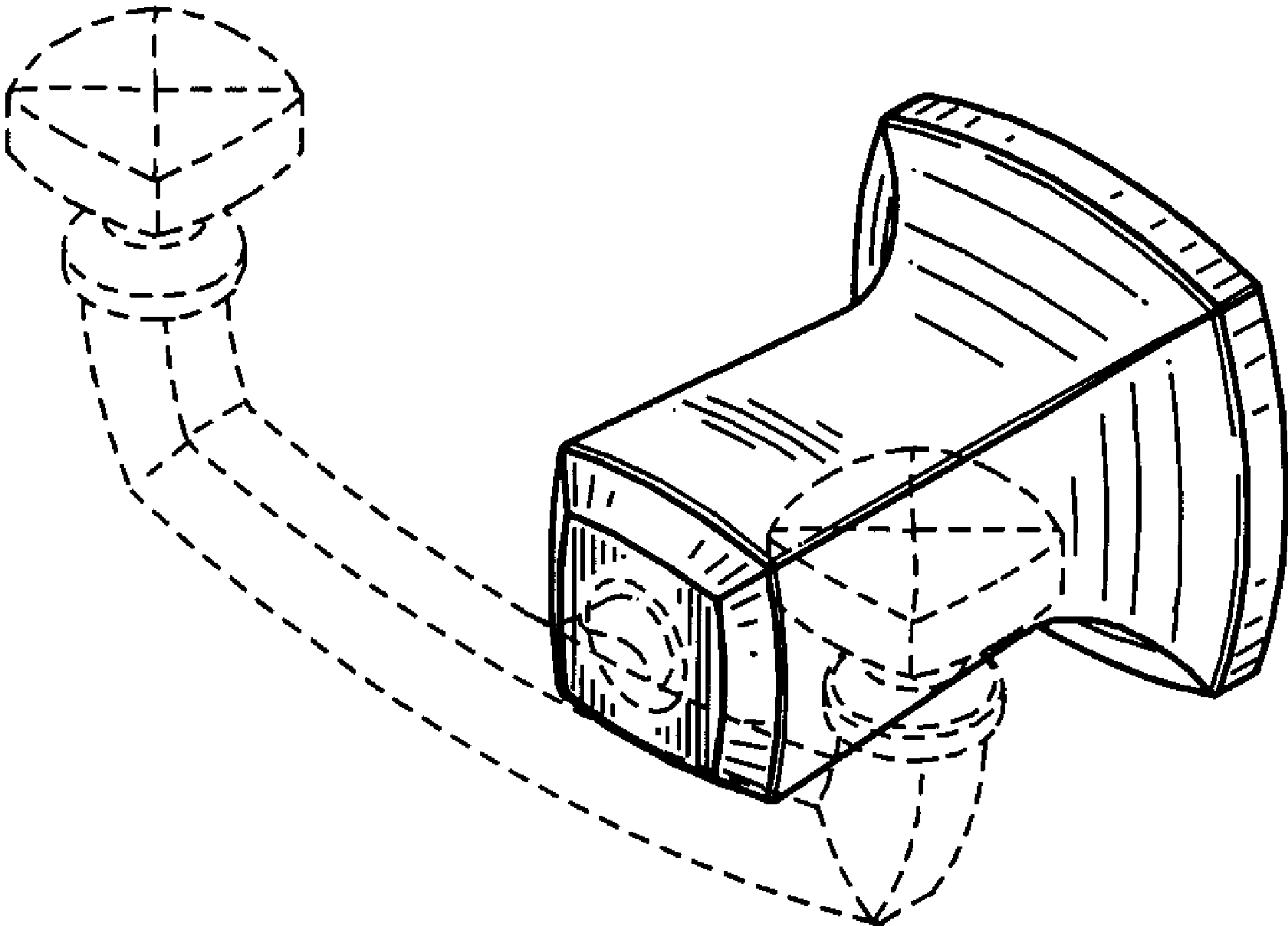


FIG. 9

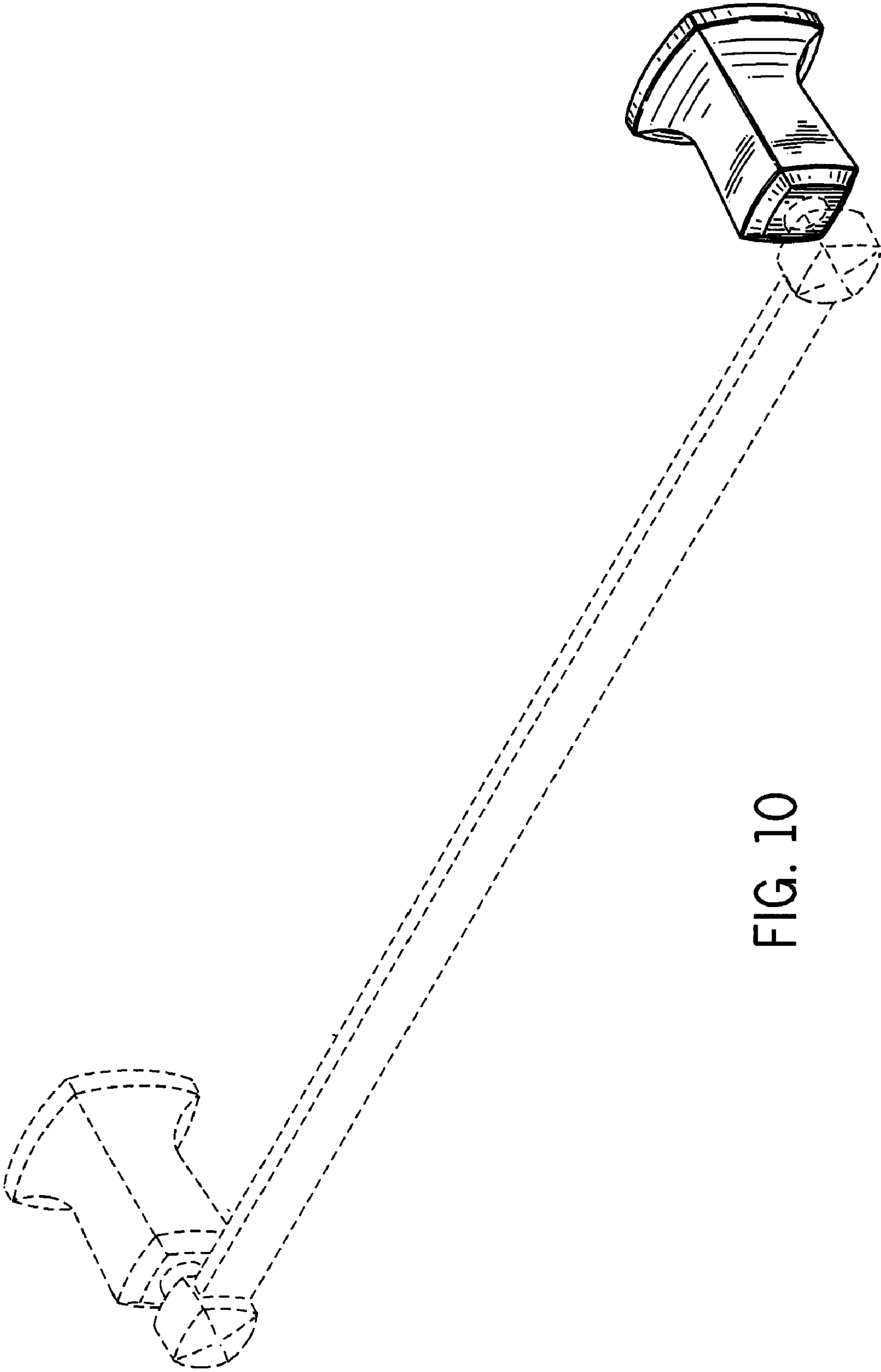


FIG. 10

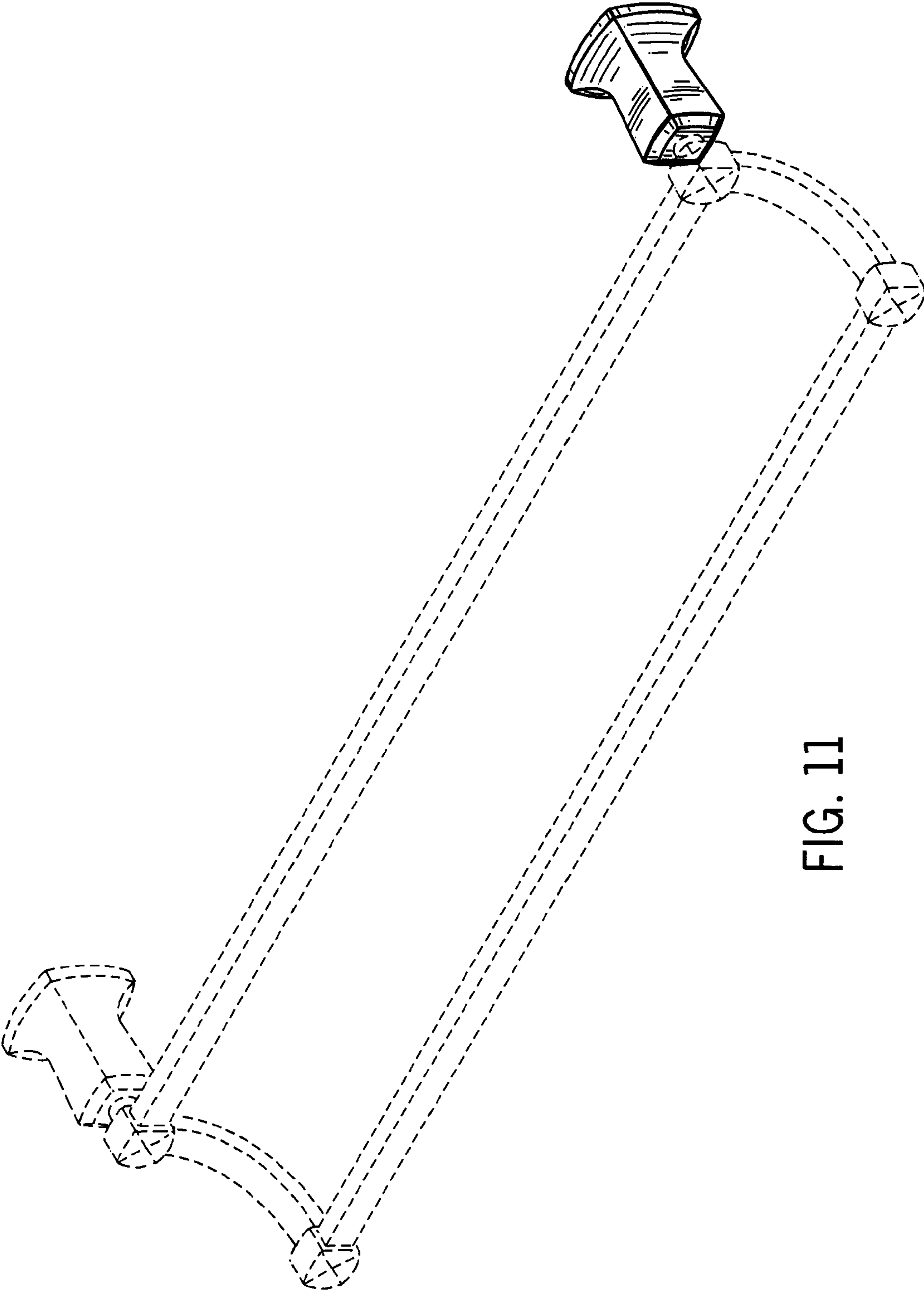


FIG. 11