



US00D550008S

(12) **United States Design Patent**
Hager et al.

(10) **Patent No.:** **US D550,008 S**

(45) **Date of Patent:** **** Sep. 4, 2007**

(54) **DISPENSING CONTAINER**

(75) Inventors: **Kevin L. Hager**, Grand Rapids, MI (US); **Paul L. Jackman**, Grand Rapids, MI (US)

(73) Assignee: **Access Business Group International LLC**, Ada, MI (US)

(**) Term: **14 Years**

(21) Appl. No.: **29/245,675**

(22) Filed: **Dec. 28, 2005**

(51) **LOC (8) Cl.** **20-02**

(52) **U.S. Cl.** **D6/518**

(58) **Field of Classification Search** D6/518-523;
206/389, 395, 390; 221/282-283; 312/34.8;
242/570, 590, 560, 598

See application file for complete search history.

(56) **References Cited**

U.S. PATENT DOCUMENTS

4,382,510	A *	5/1983	Gaffney	206/396
4,721,264	A *	1/1988	Muscarello	206/390
D316,789	S *	5/1991	McLaughlin	D6/522
D339,490	S *	9/1993	Addison et al.	D6/518
D362,145	S *	9/1995	Nolen	D6/523
D447,899	S *	9/2001	Draughn, Sr.	D6/523
D448,222	S *	9/2001	Fischer	D6/518
D522,781	S *	6/2006	Wieser et al.	D6/518

D525,063 S * 7/2006 Woods et al. D6/518

* cited by examiner

Primary Examiner—Brian N Vinson

(74) *Attorney, Agent, or Firm*—Warner Norcross & Judd LLP

(57) **CLAIM**

The ornamental design for dispensing container, as shown and described.

DESCRIPTION

FIG. 1 is a perspective view of the dispensing container;

FIG. 2 is a top plan view thereof;

FIG. 3 is a bottom plan view thereof;

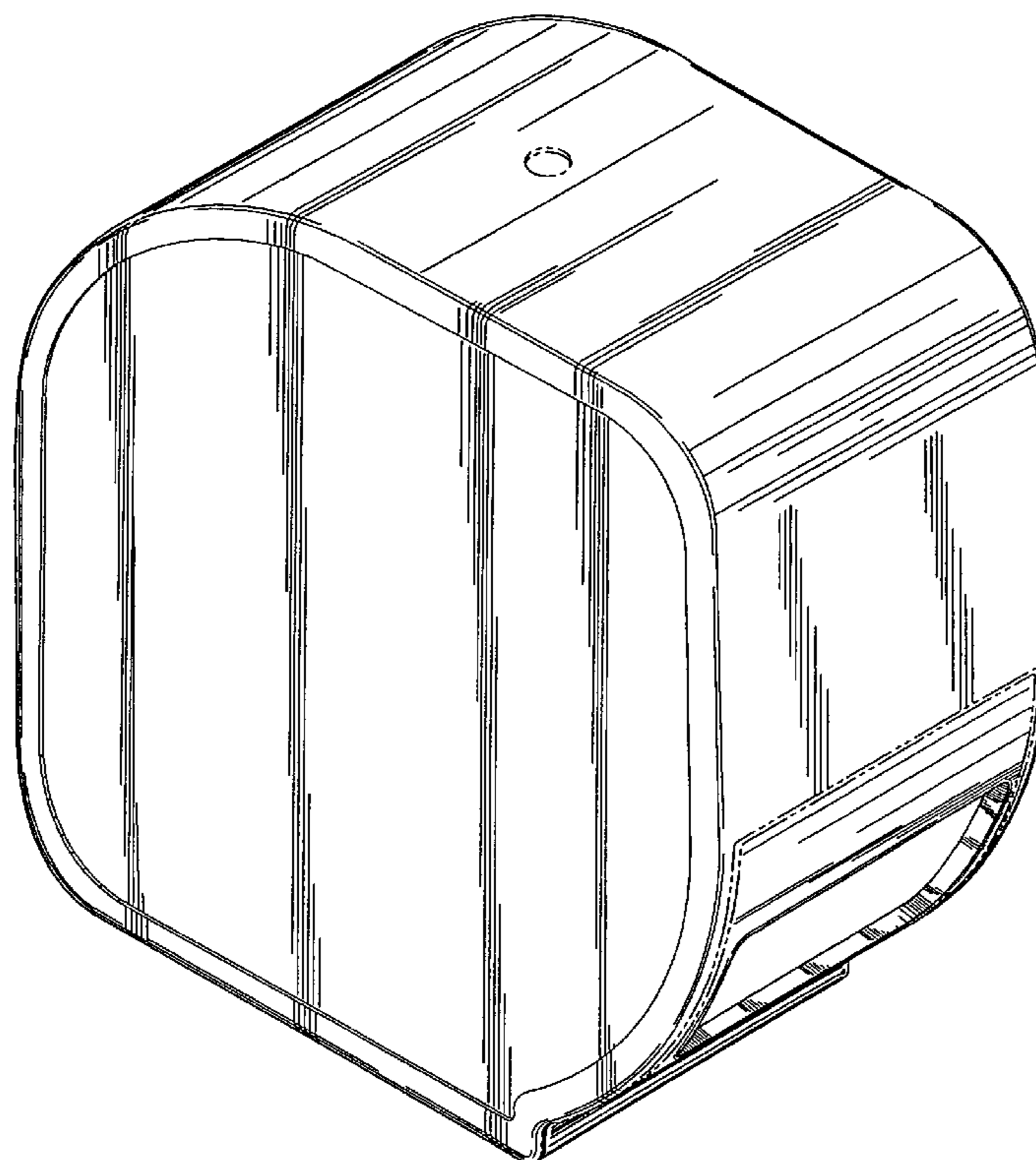
FIG. 4 is a right side elevational view, the left side elevational view being a mirror image thereof;

FIG. 5 is a front view thereof; and,

FIG. 6 is a back view thereof.

The claimed design extends only to the shaded portions of the dispensing container. FIGS. 1-3 and 5-6 show features of a dispensing container in phantom lines. These phantom line features are shown for environmental purposes only and form no part of the claimed design. Further, the phantom lines immediately adjacent the solid-line portions of the design form the boundary of the claimed design, with the phantom lines forming no part of the claimed design.

1 Claim, 4 Drawing Sheets



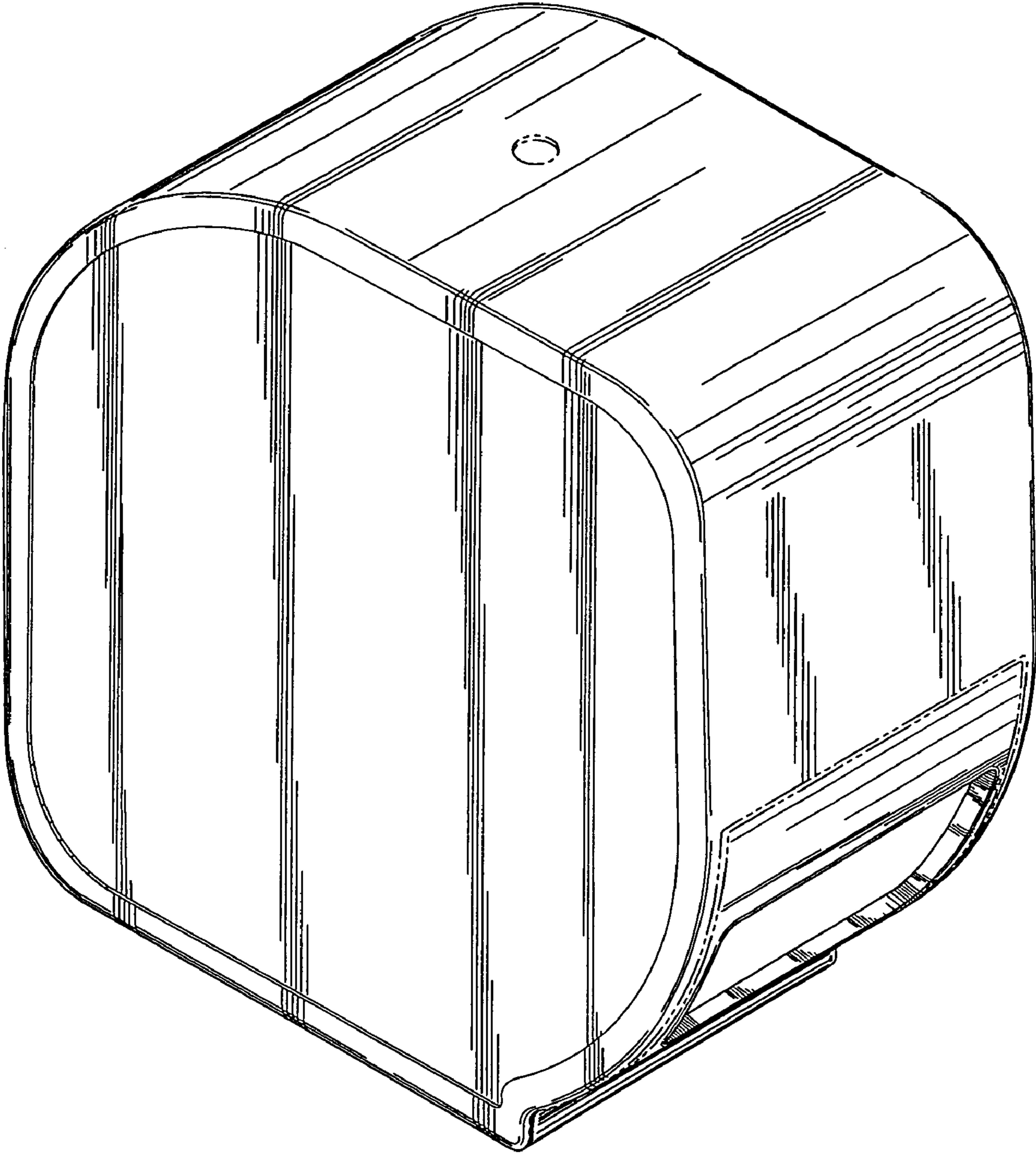


Fig. 1

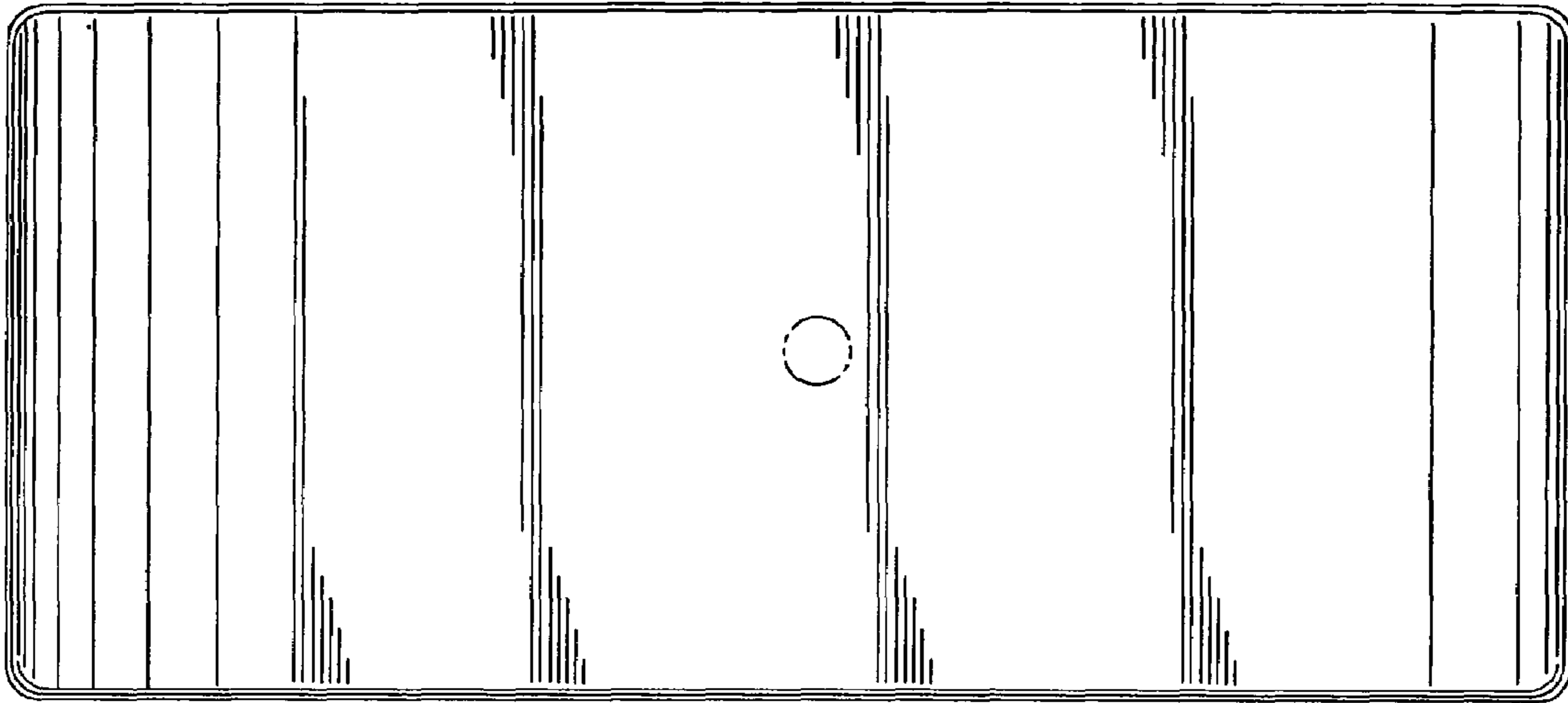


Fig. 2

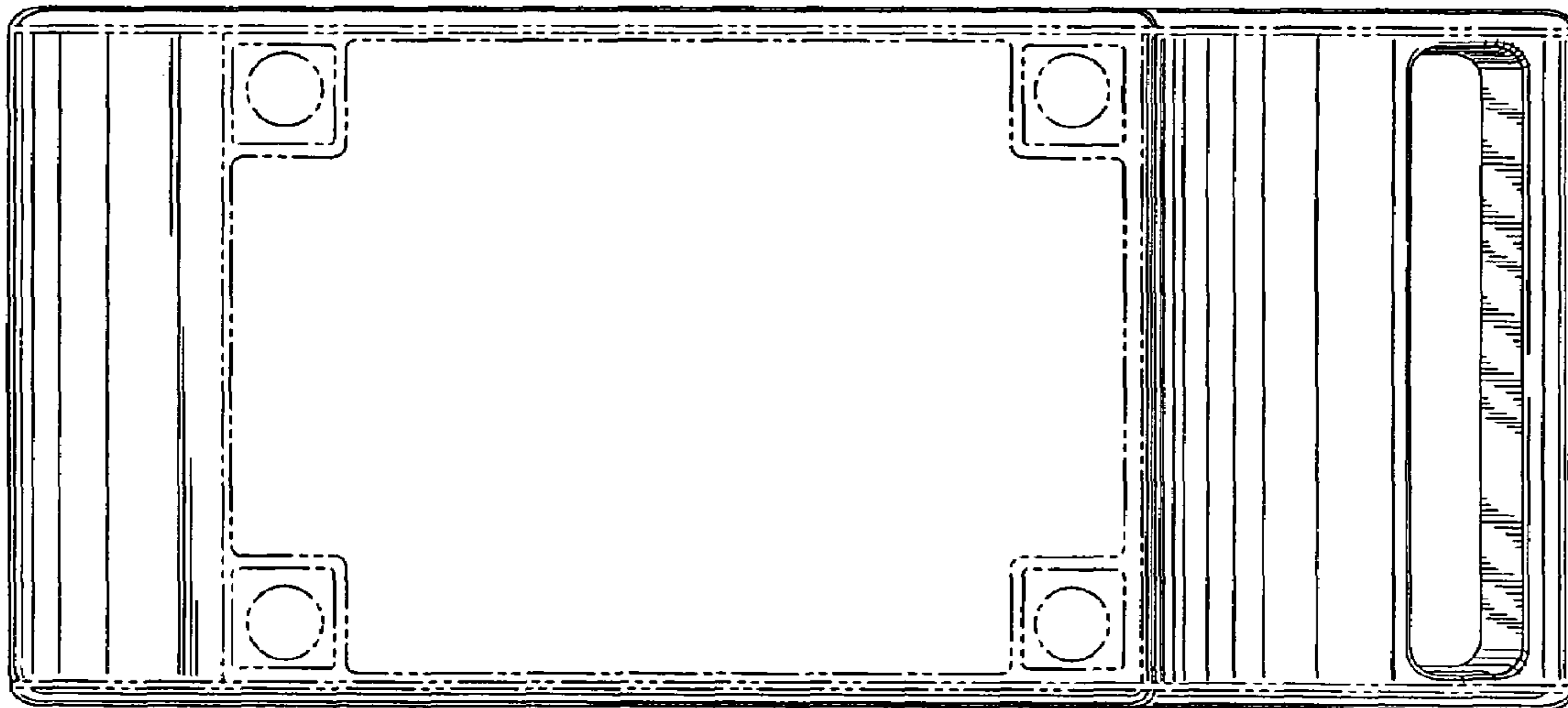


Fig. 3

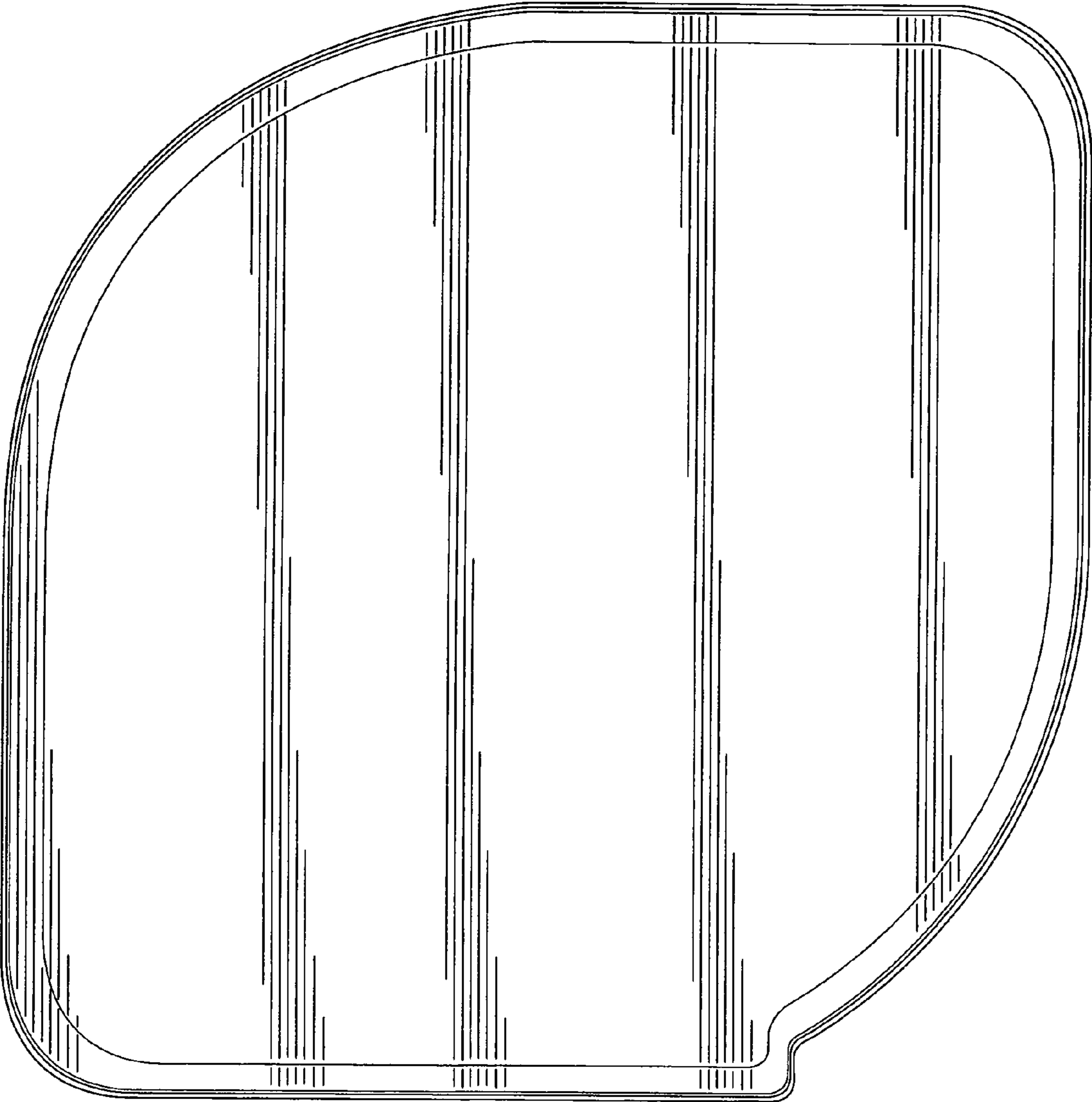


Fig. 4

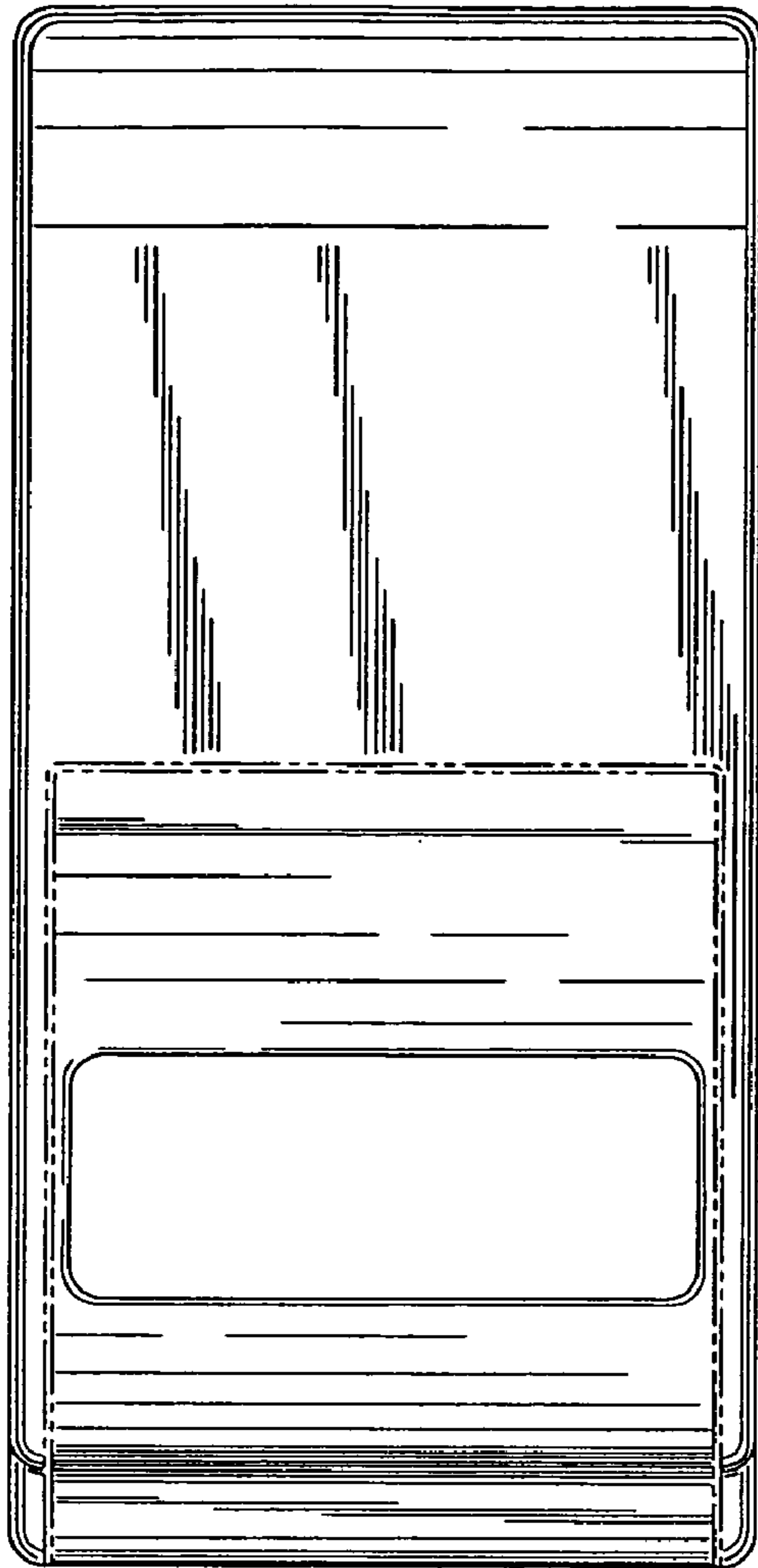


Fig. 5

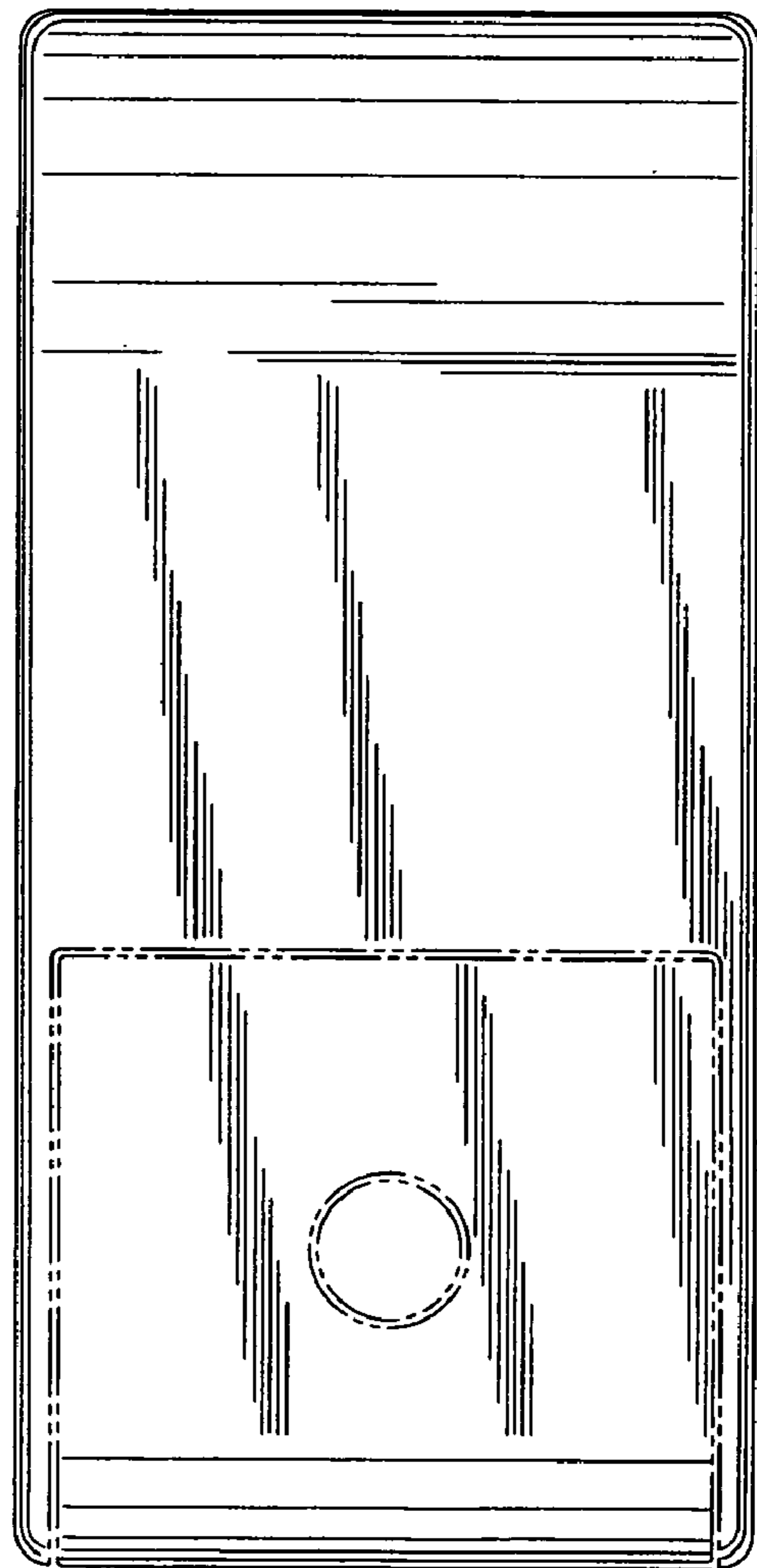


Fig. 6