



US00D550007S

(12) **United States Design Patent**
Westra

(10) **Patent No.:** **US D550,007 S**

(45) **Date of Patent:** **** Sep. 4, 2007**

(54) **TOOL RACK**

5,695,104 A 12/1997 Darling 224/684
6,601,674 B2 8/2003 Murray 182/129

(75) Inventor: **Jim Westra**, Thamesville (CA)

* cited by examiner

(73) Assignee: **Skyhand Inc.**, Thamesville, Ontario (CA)

Primary Examiner—Brian N Vinson
(74) *Attorney, Agent, or Firm*—Waddey & Patterson, P.C.; Emily A. Shouse

(**) Term: **14 Years**

(21) Appl. No.: **29/241,724**

(57) **CLAIM**

(22) Filed: **Oct. 31, 2005**

What is claimed is the ornamental design for a tool rack, as shown and described.

(30) **Foreign Application Priority Data**

Aug. 18, 2005 (CA) 112263

DESCRIPTION

(51) **LOC (8) Cl.** **06-06**

FIG. 1 is a perspective view showing the tool rack of Applicant's invention.

(52) **U.S. Cl.** **D6/514**

FIG. 2 is a front view of the tool rack of Applicant's invention.

(58) **Field of Classification Search** D6/512-514, D6/553, 567, 569, 570; 211/13.1, 70.6, 71.01, 211/86.01, 90.01, 90.04, 113; D3/304

FIG. 3 is a back view of the tool rack of Applicant's invention, both sides being identical.

See application file for complete search history.

FIG. 4 is a right side view of the tool rack of Applicant's invention.

(56) **References Cited**

U.S. PATENT DOCUMENTS

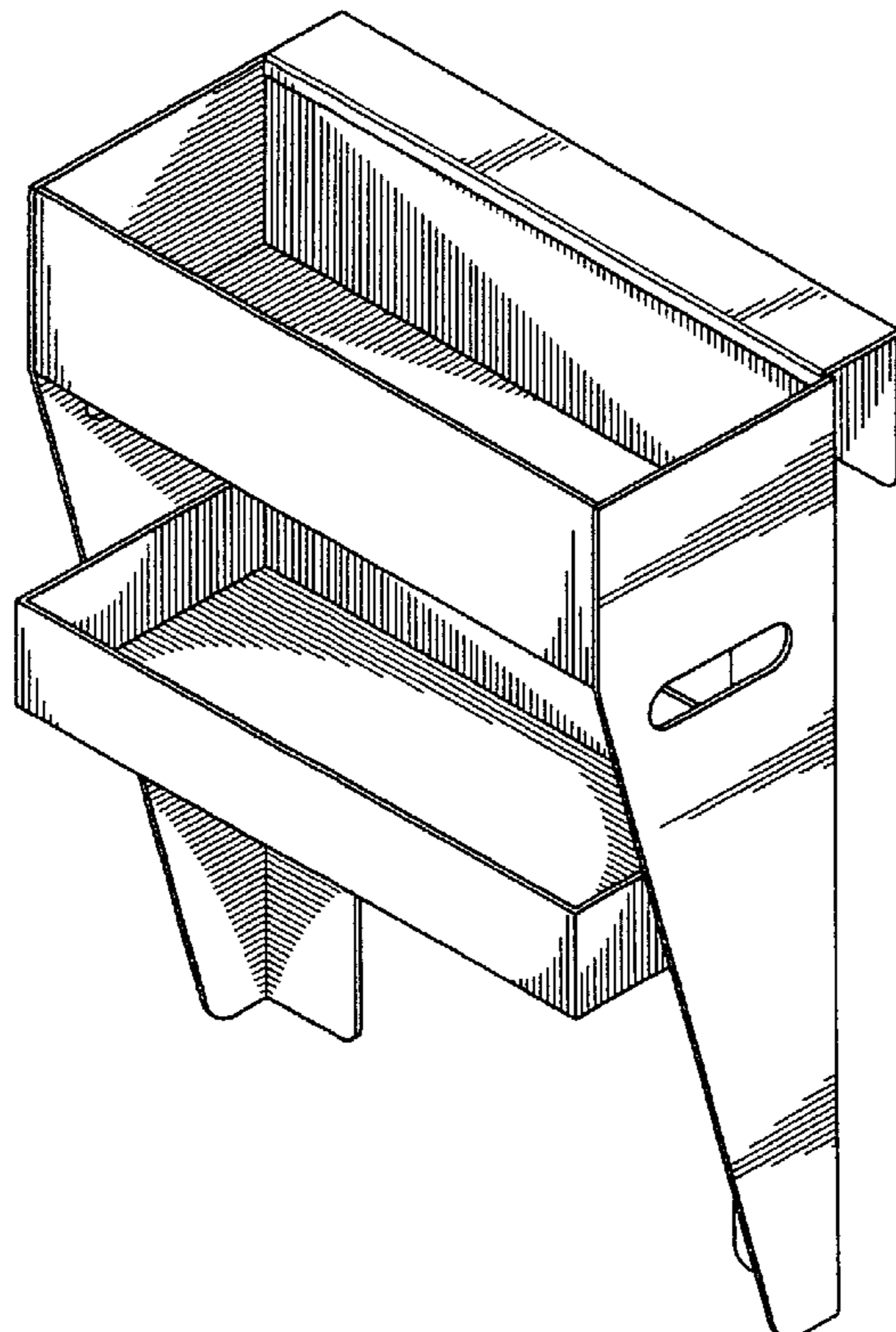
D77,776 S * 2/1929 Johnson D6/553
D234,447 S * 3/1975 Johns D6/70
D284,917 S * 8/1986 Canter D6/569
4,687,094 A * 8/1987 Allsop et al. D6/567
D325,313 S * 4/1992 Evenson D6/553
D355,555 S * 2/1995 Ryan D6/569
5,547,080 A 8/1996 Klimas 206/373
D387,384 S * 12/1997 Meyer D6/569

FIG. 5 is a left side view of the tool rack of Applicant's invention.

FIG. 6 is a top view of the tool rack of Applicant's invention; and,

FIG. 7 is a bottom view of the tool rack of Applicant's invention.

1 Claim, 3 Drawing Sheets



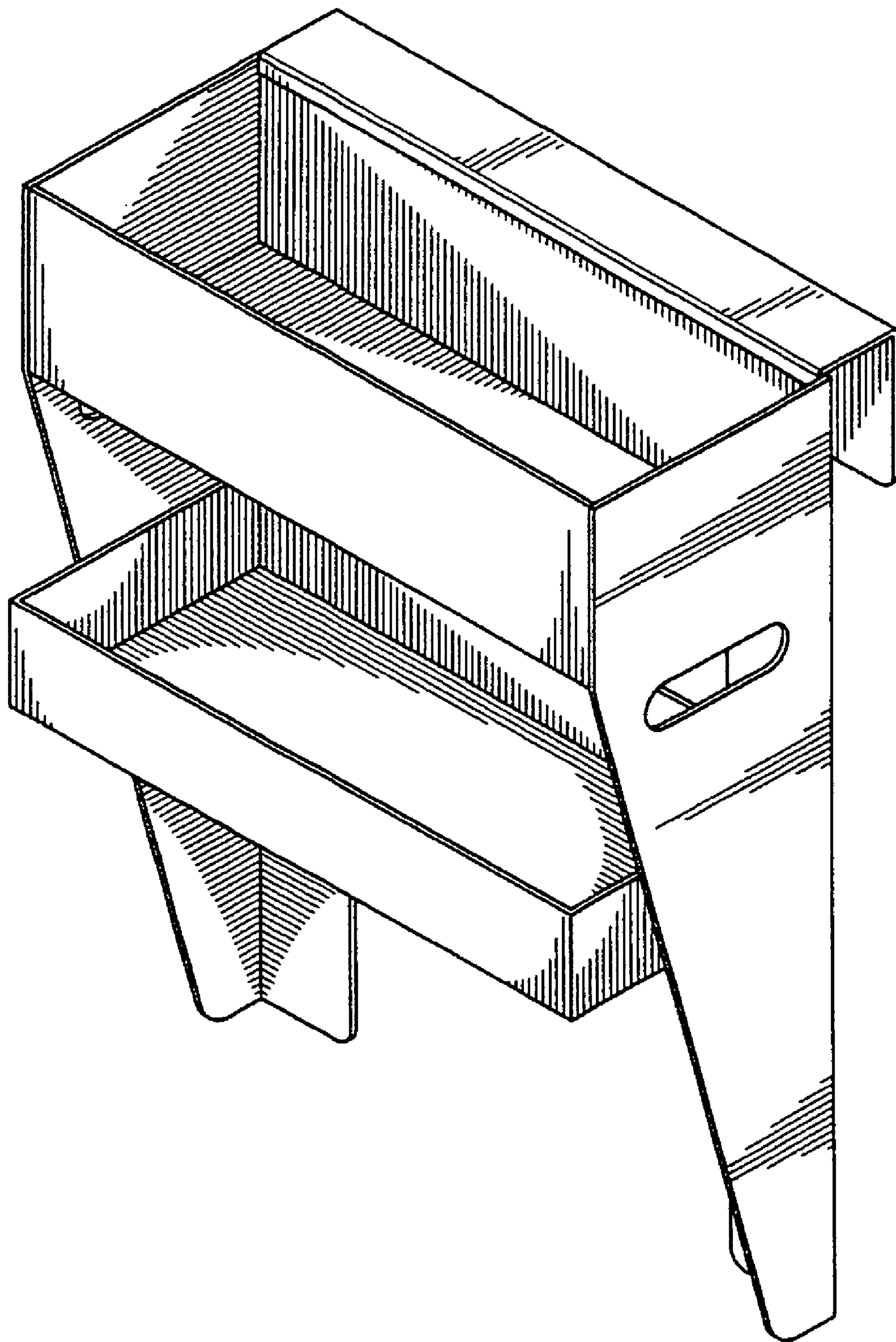


FIG. 1

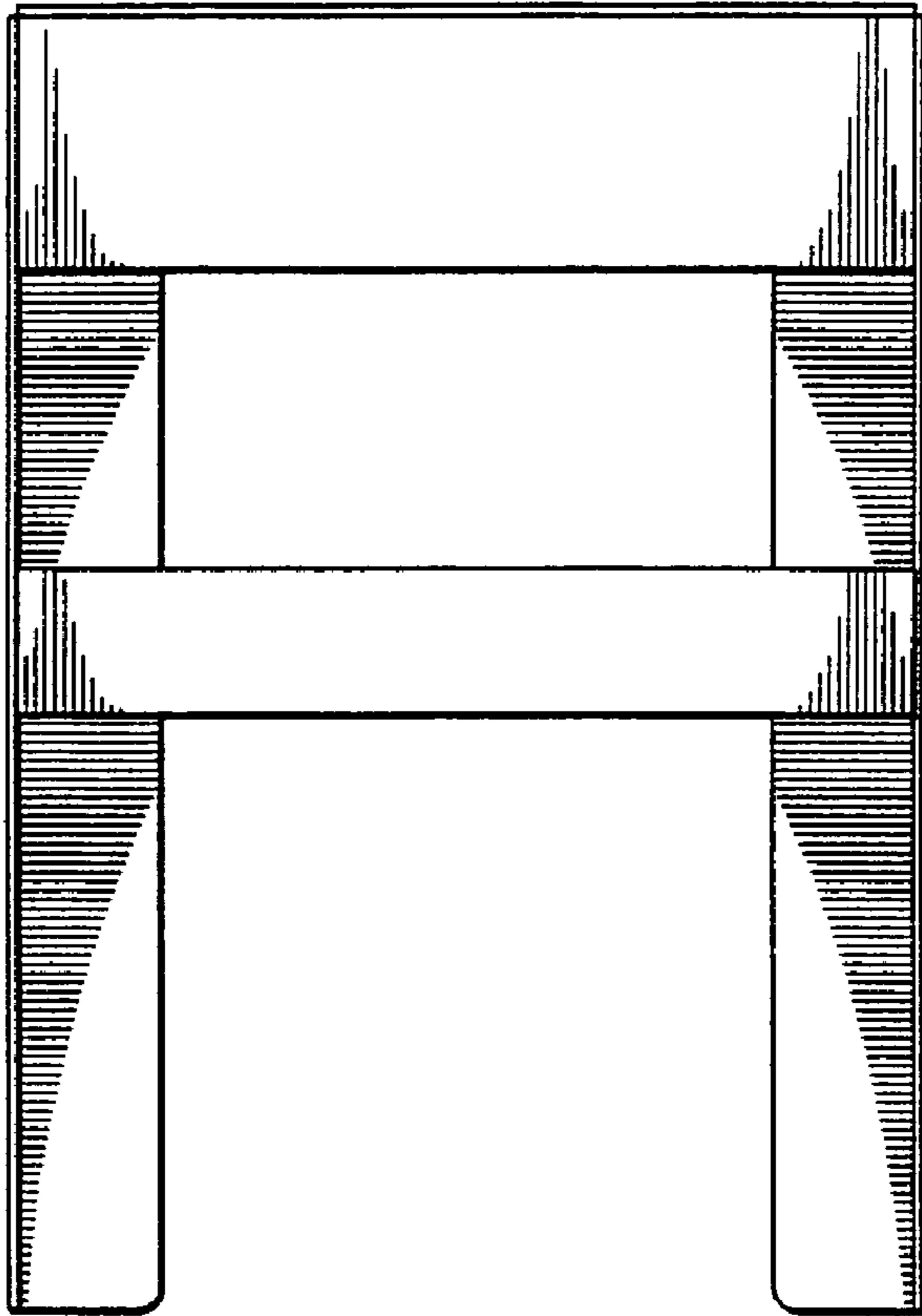


FIG. 2

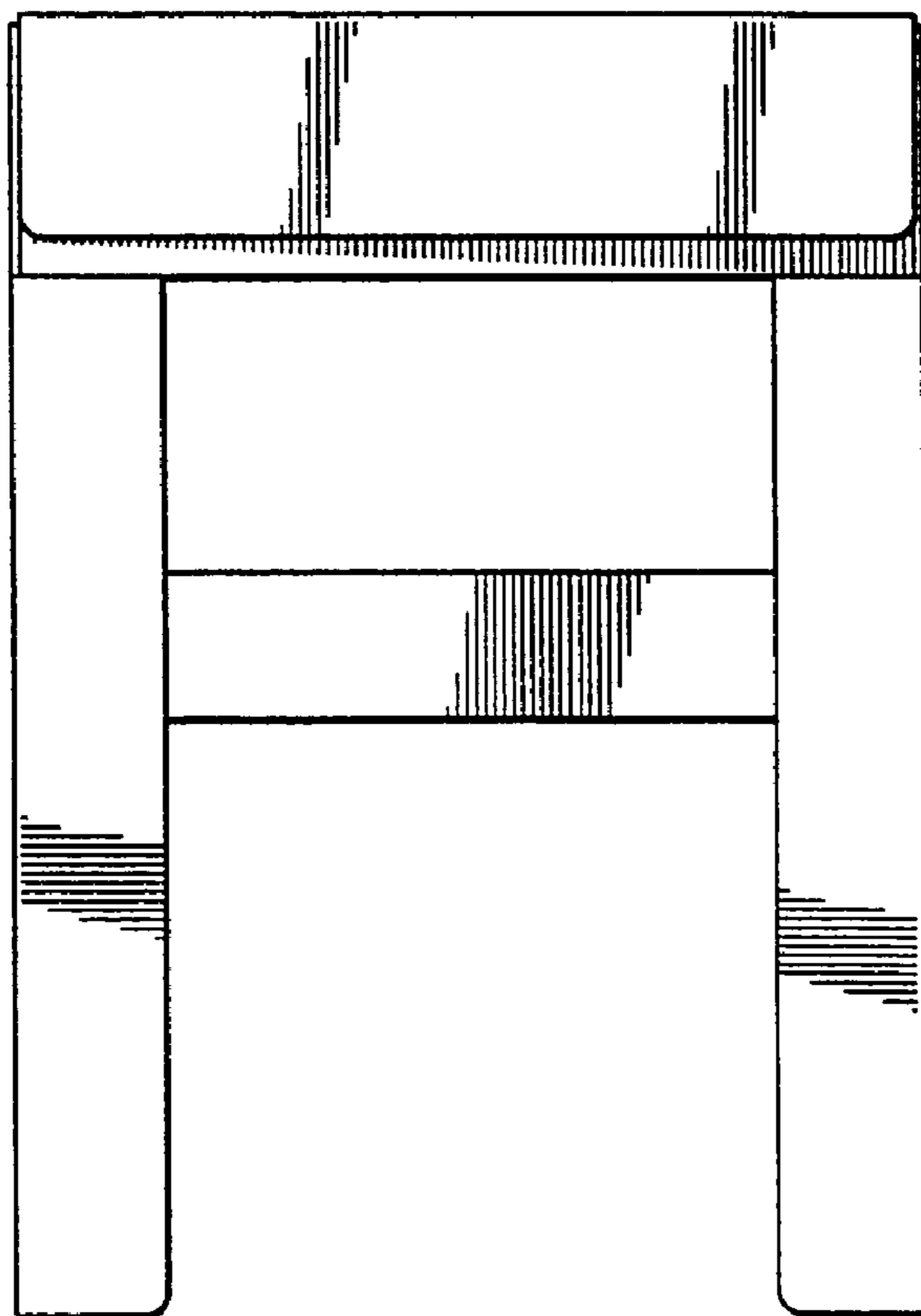


FIG. 3

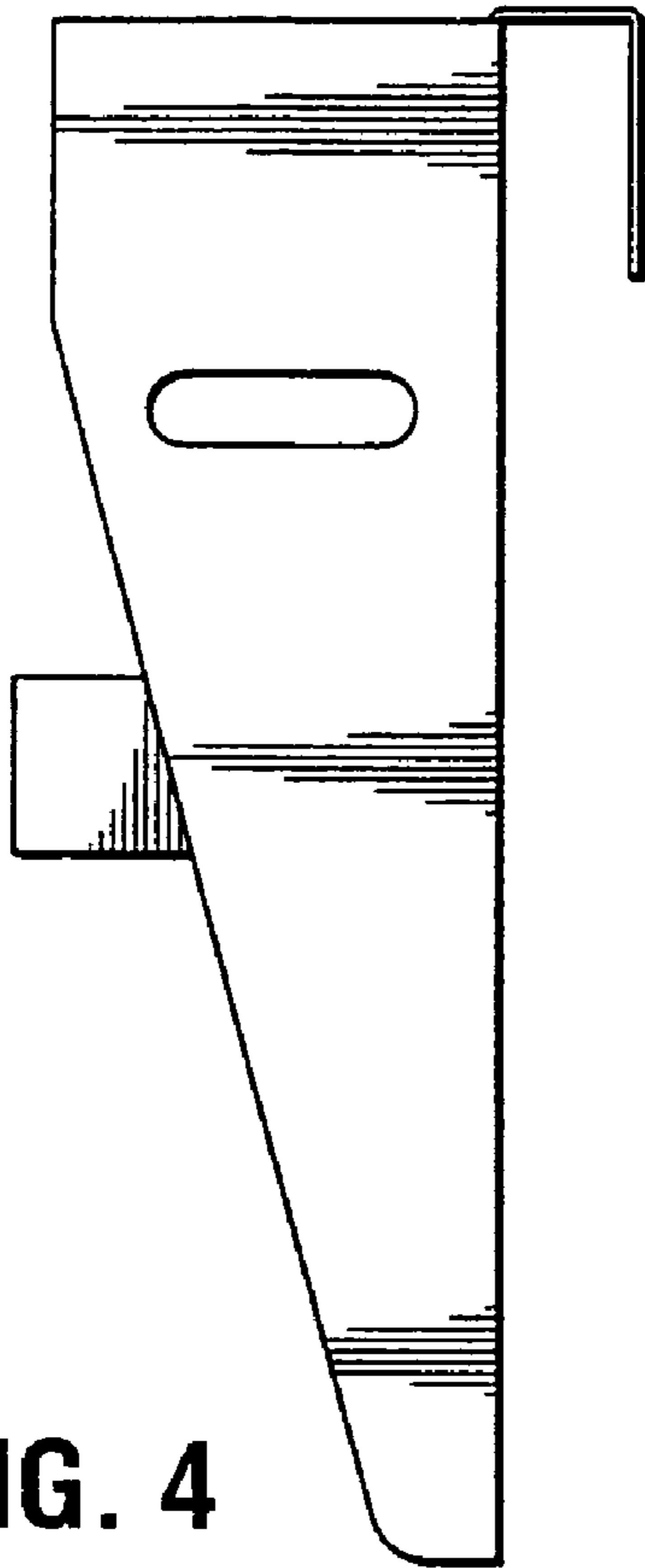


FIG. 4

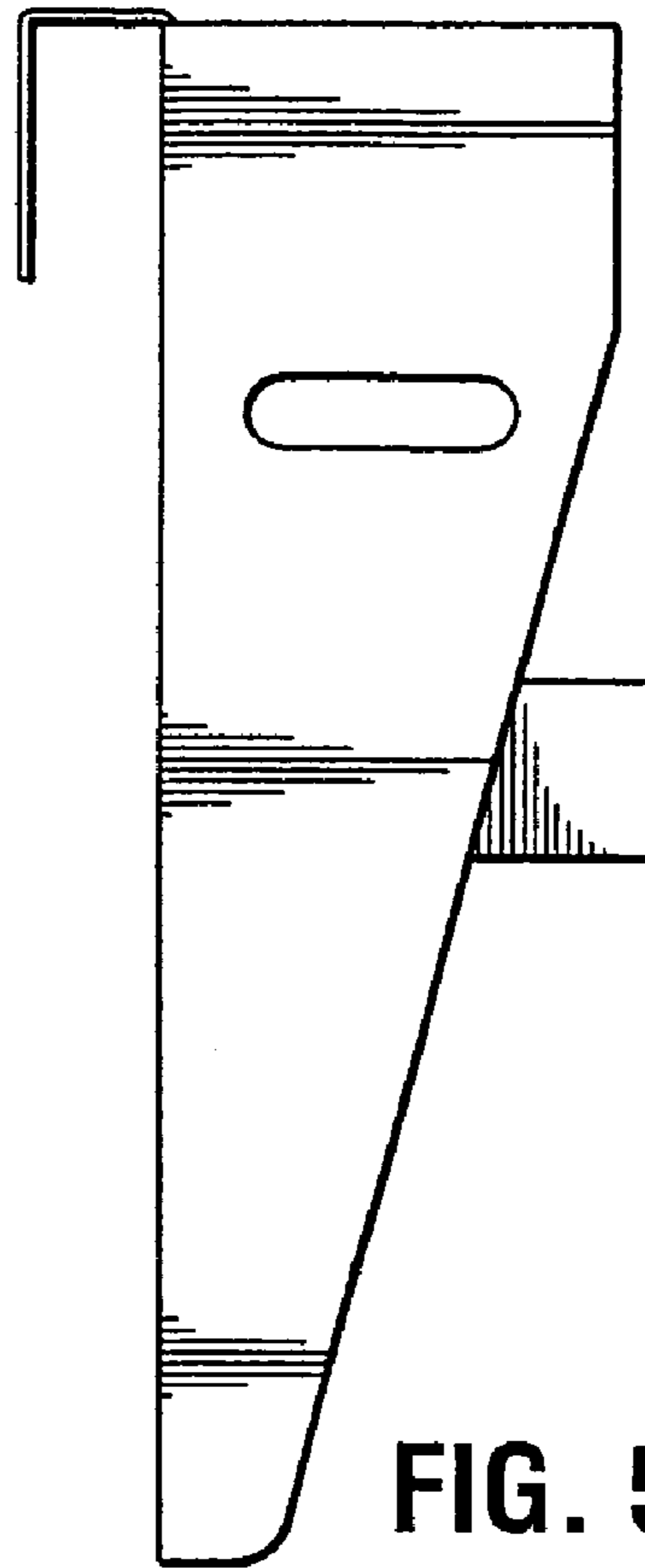


FIG. 5



FIG. 6

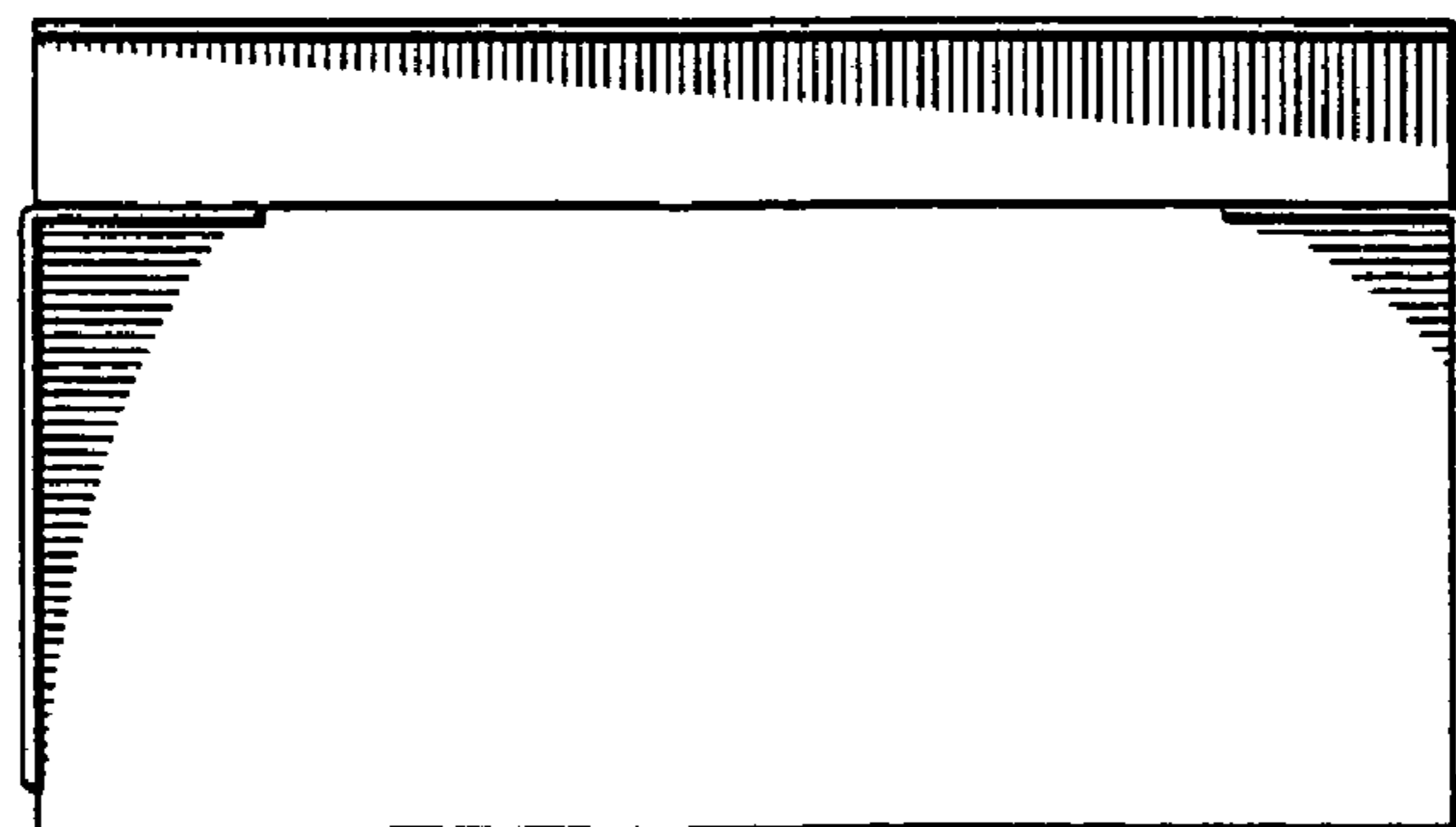


FIG. 7