



US00D550006S

(12) **United States Design Patent** (10) **Patent No.:** **US D550,006 S**
Goldberg (45) **Date of Patent:** **** Sep. 4, 2007**

(54) **SIDE SHELF**

(75) Inventor: **Mark A. Goldberg**, Lido Beach, NY (US)

(73) Assignee: **Global Equipment Company Inc.**

(**) Term: **14 Years**

(21) Appl. No.: **29/254,403**

(22) Filed: **Feb. 23, 2006**

(51) **LOC (8) Cl.** **06-06**

(52) **U.S. Cl.** **D6/511**

(58) **Field of Classification Search** D6/422, D6/425, 426, 429, 491, 492, 494, 495, 509-511; 312/21, 205, 208.4, 241, 313, 314
See application file for complete search history.

(56) **References Cited**

U.S. PATENT DOCUMENTS

D130,079	S	*	10/1941	Weller	D6/430
D187,232	S	*	2/1960	Matyas	D6/436
3,214,032	A	*	10/1965	Hightower	211/99
D217,161	S	*	4/1970	Sobel et al.	D6/511
D230,116	S	*	1/1974	Beams	D6/492
D231,297	S	*	4/1974	Porter	D6/436
D250,621	S	*	12/1978	Blum	D6/509
D267,690	S	*	1/1983	Verdesca	D6/426
D282,132	S	*	1/1986	Santner	D6/511
4,919,498	A	*	4/1990	Turner	312/241
D328,680	S	*	8/1992	Zapf	D6/511
D342,121	S	*	12/1993	Lim	D23/286
D381,529	S	*	7/1997	Ugalde	D6/425
D431,403	S	*	10/2000	Ford	D6/511
D458,484	S	*	6/2002	Wood	D6/511
D510,220	S	*	10/2005	Sandy	D6/511
2006/0076861	A1	*	4/2006	Baughman	312/314

OTHER PUBLICATIONS

Global Industrial Company Online Catalog page, Mobile Security Computer Cabinet, 2006.*

* cited by examiner

Primary Examiner—Cathron C. Brooks
(74) *Attorney, Agent, or Firm*—Davidoff Malito & Hutcher LLP

(57) **CLAIM**

The ornamental design for a side shelf, as shown and described.

DESCRIPTION

FIG. 1 is an isometric view from the top, front and right side of the side shelf of the present invention as it attaches to a cabinet;

FIG. 2 is a front view thereof;

FIG. 3 is a rear view thereof;

FIG. 4 is a right side view thereof;

FIG. 5 is a left side view thereof;

FIG. 6 is a top view thereof;

FIG. 7 is a bottom view thereof;

FIG. 8 is an isometric view of the rear, left side and bottom thereof with the inner facing edge surfaces of the left side and right side being symmetric with each other;

FIG. 9 is an isometric view of the left side, front and underside of the top thereof with the inner facing edge surfaces of the left side and the right side being symmetric with each other;

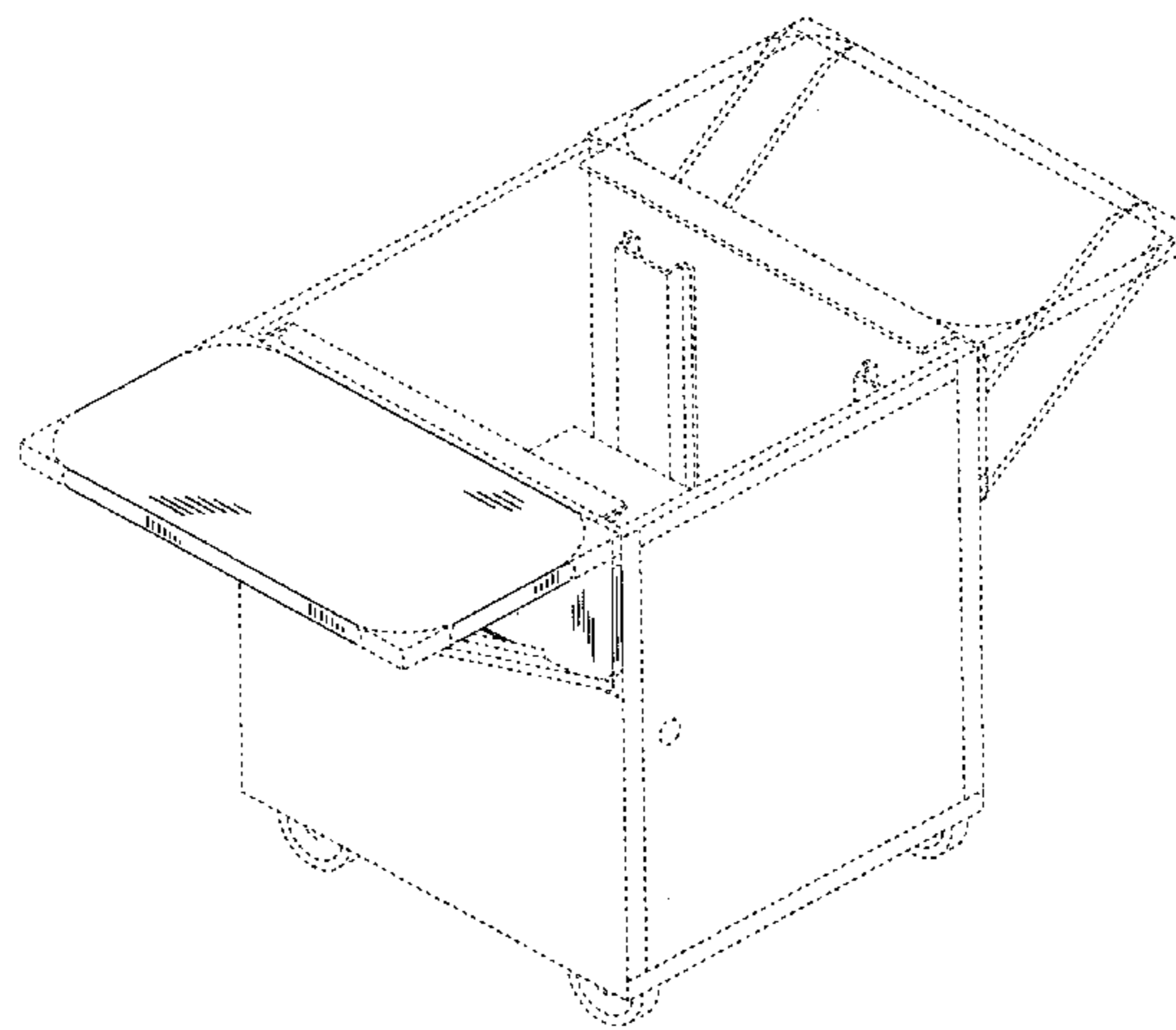
FIG. 10 is an isometric view of the left side, rear and bottom thereof; and,

FIG. 11 is an isometric view of the rear, left side and underside of the top thereof.

That which is depicted in solid lines in the drawing represents the claimed invention and that which is depicted in broken lines in the drawing forms no part of the claimed invention. Portions of surfaces that are not shown in the drawing are flat, plain and unornamented.

Where rounded broken line edges are shown at the corners of the shelves, it is understood that these broken lines represent the bounds of the claimed design.

1 Claim, 6 Drawing Sheets



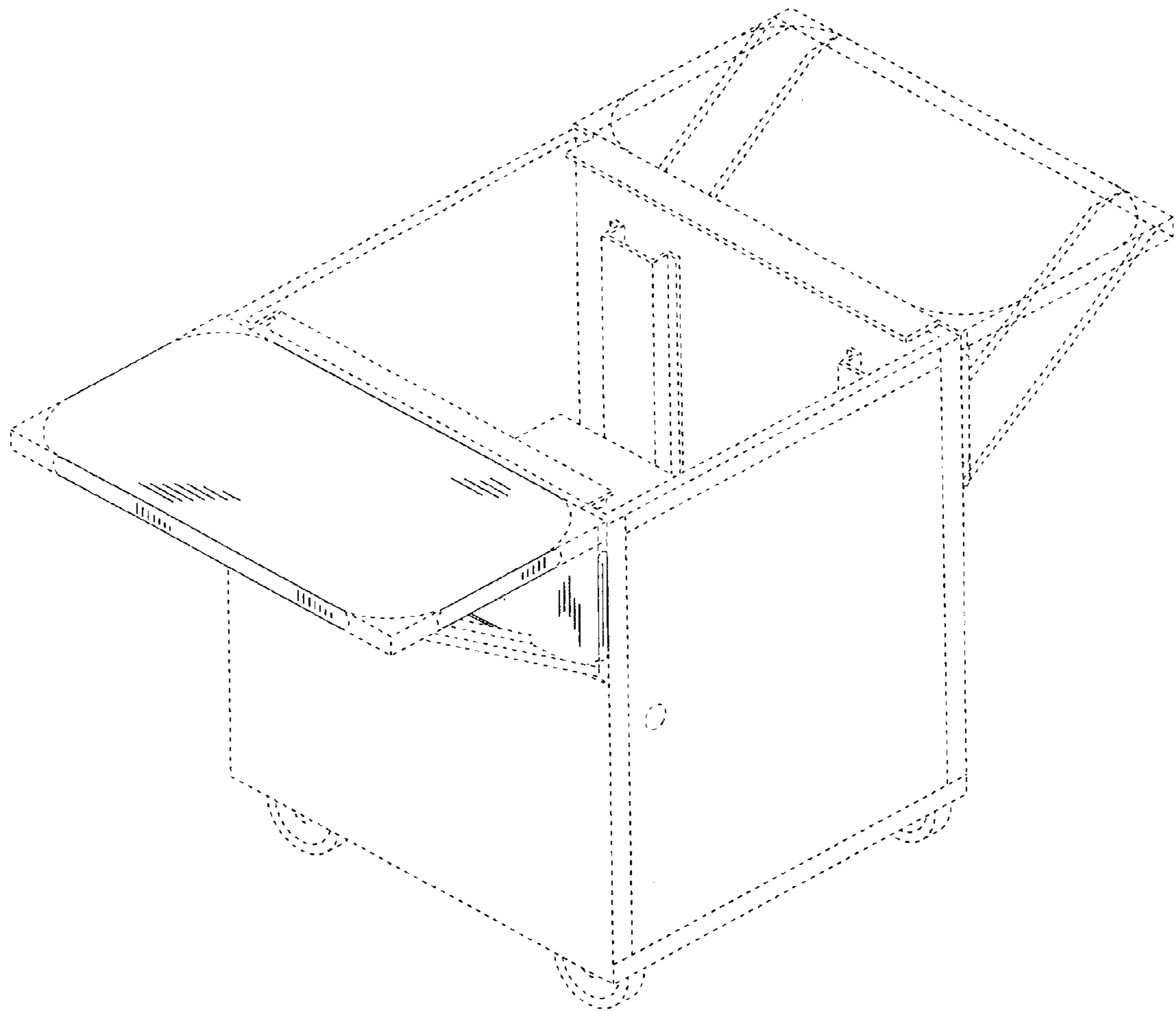


FIG. 1

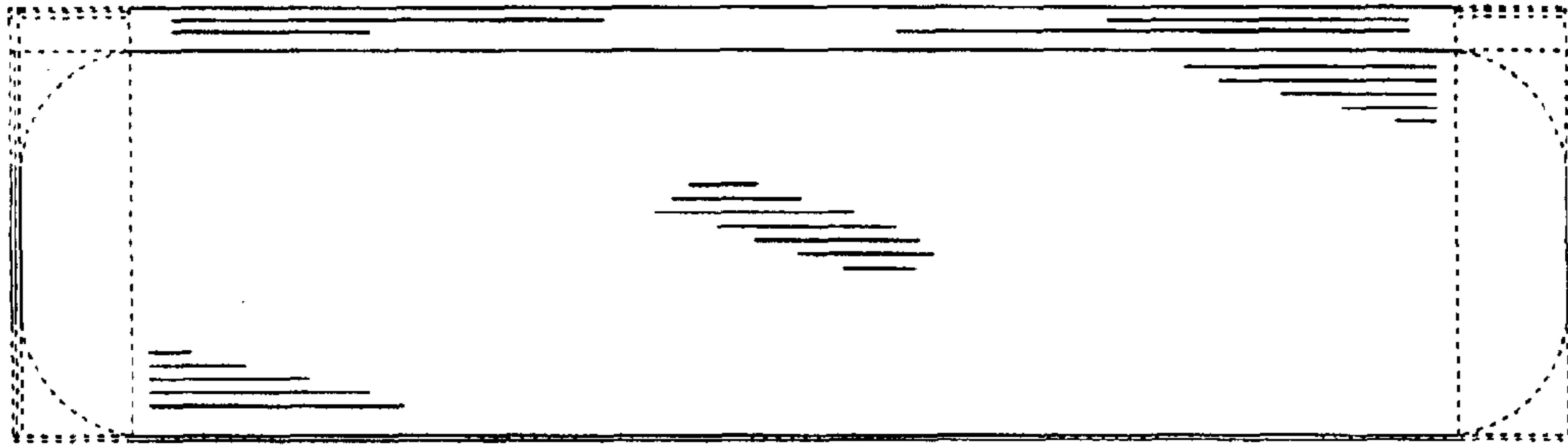


FIG. 2

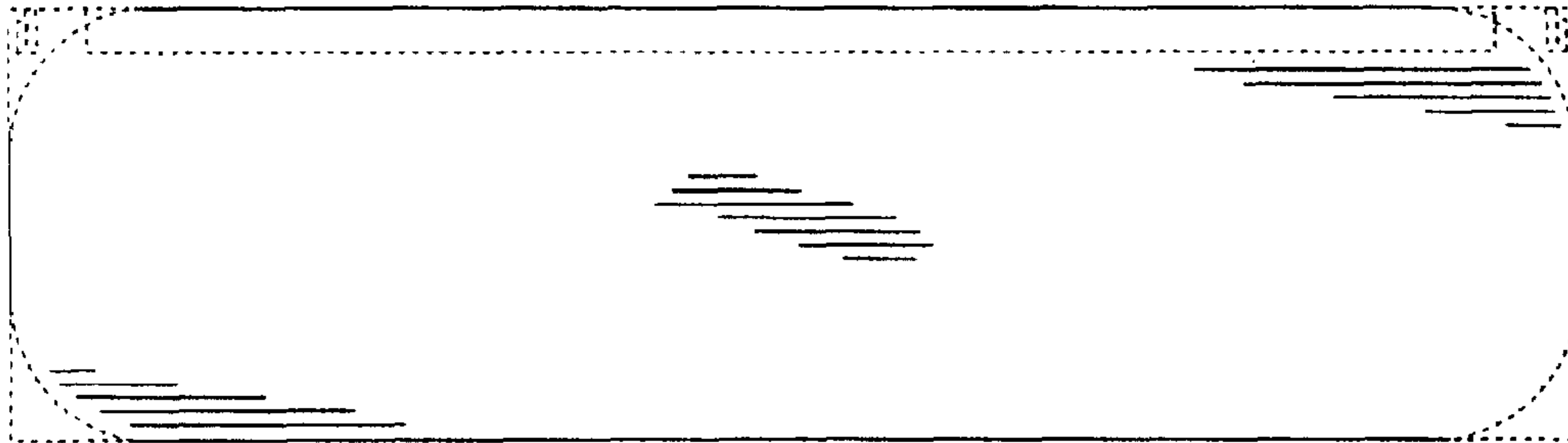


FIG. 3

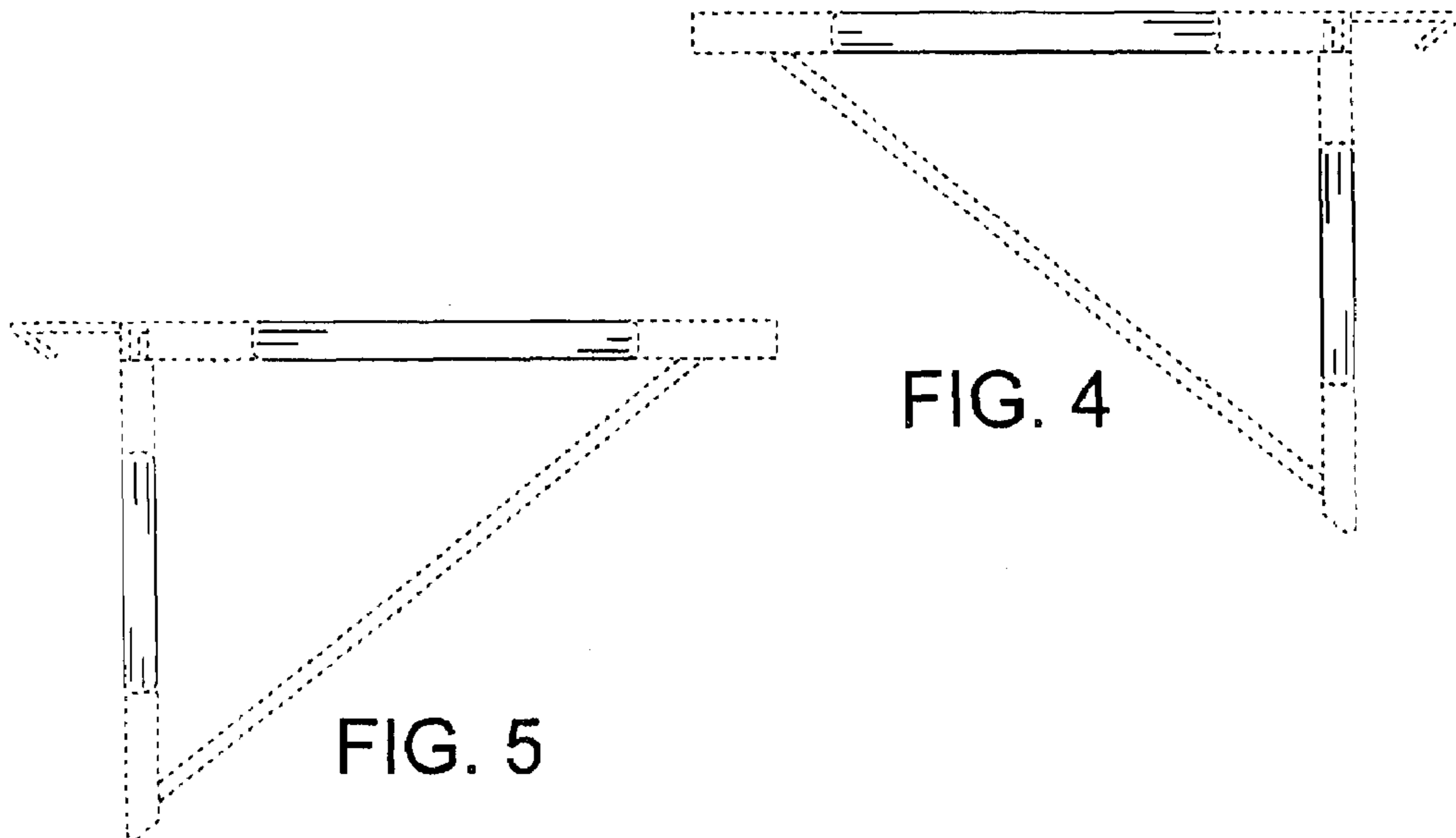


FIG. 4

FIG. 5

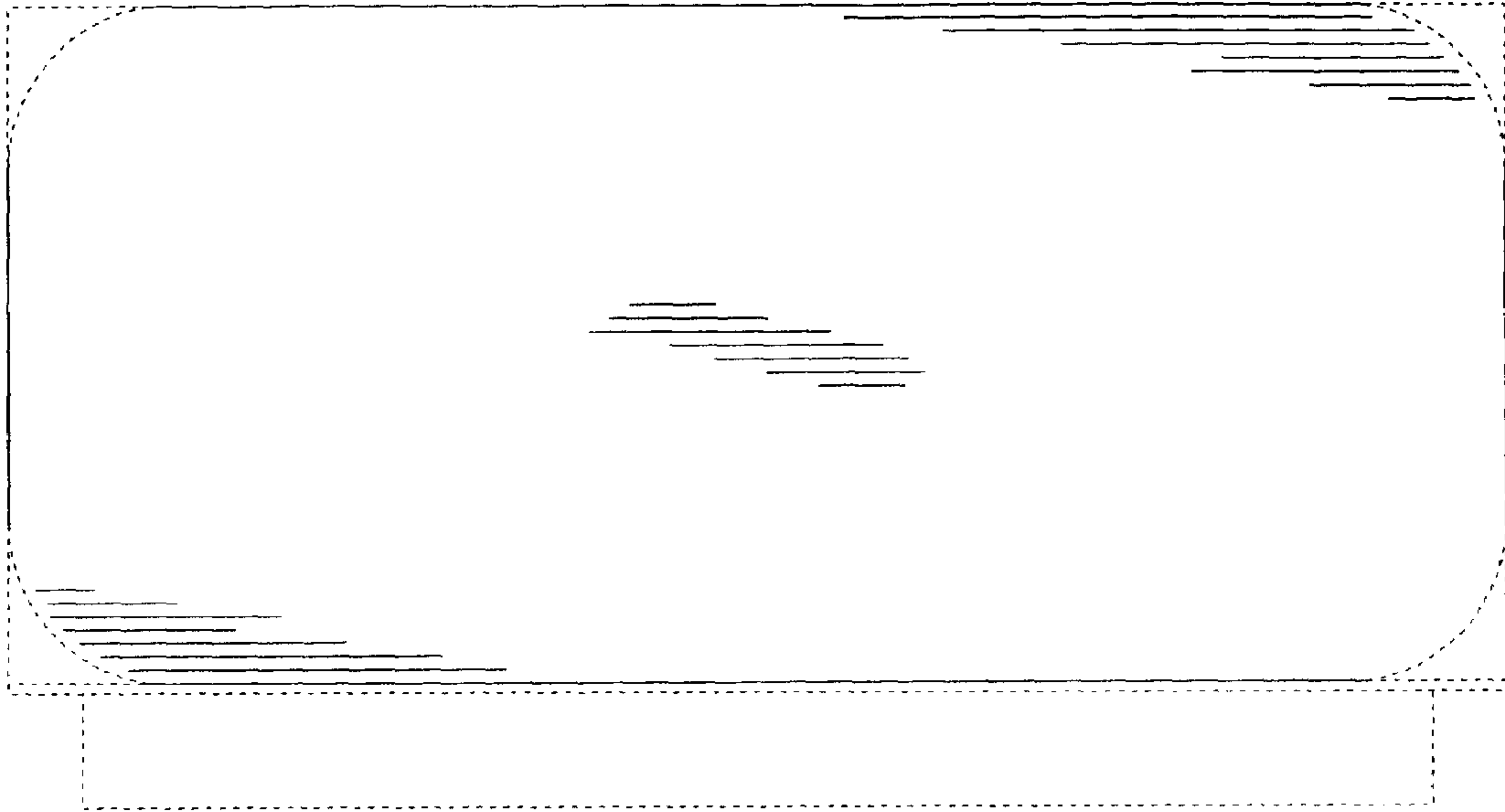


FIG. 6

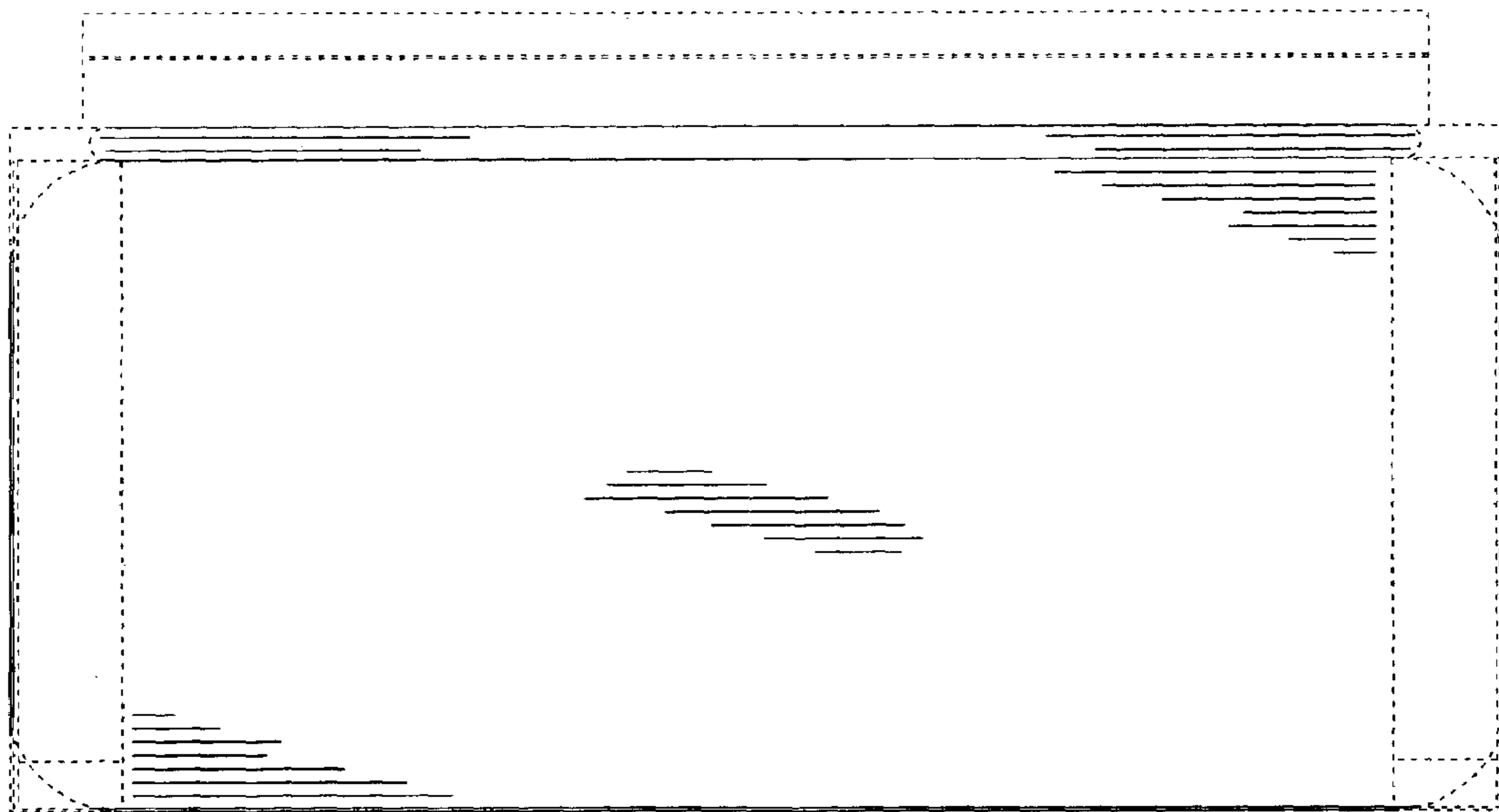


FIG. 7

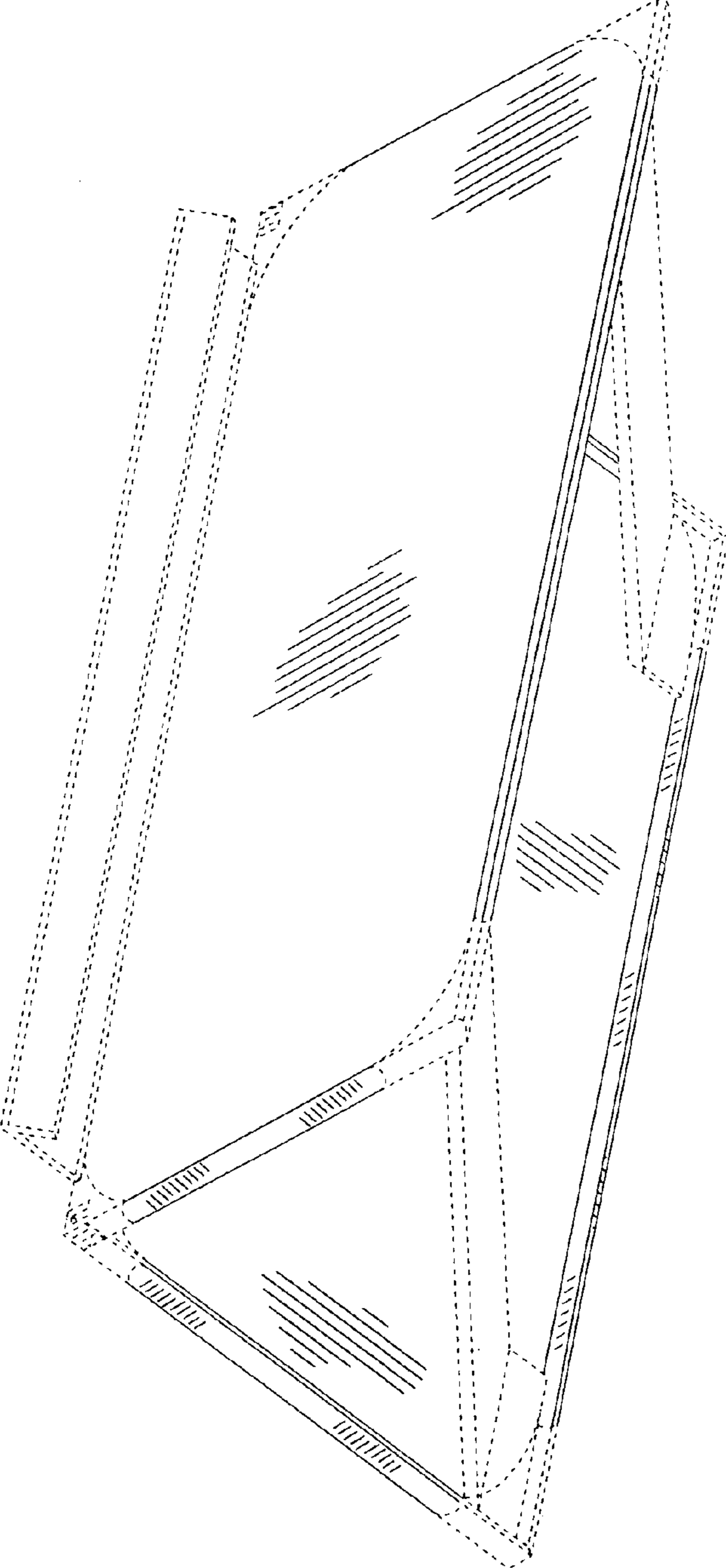


FIG. 8

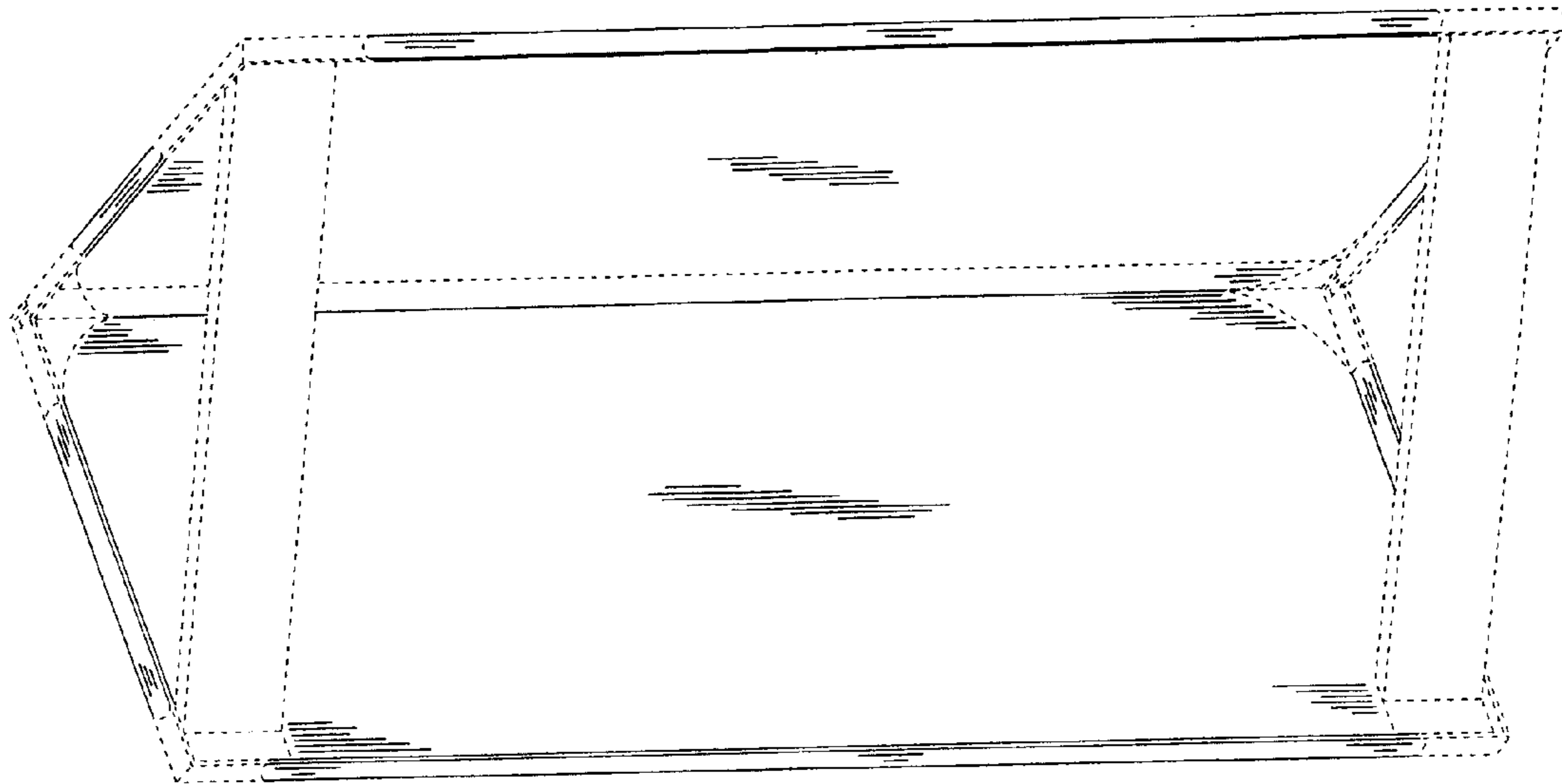


FIG. 9

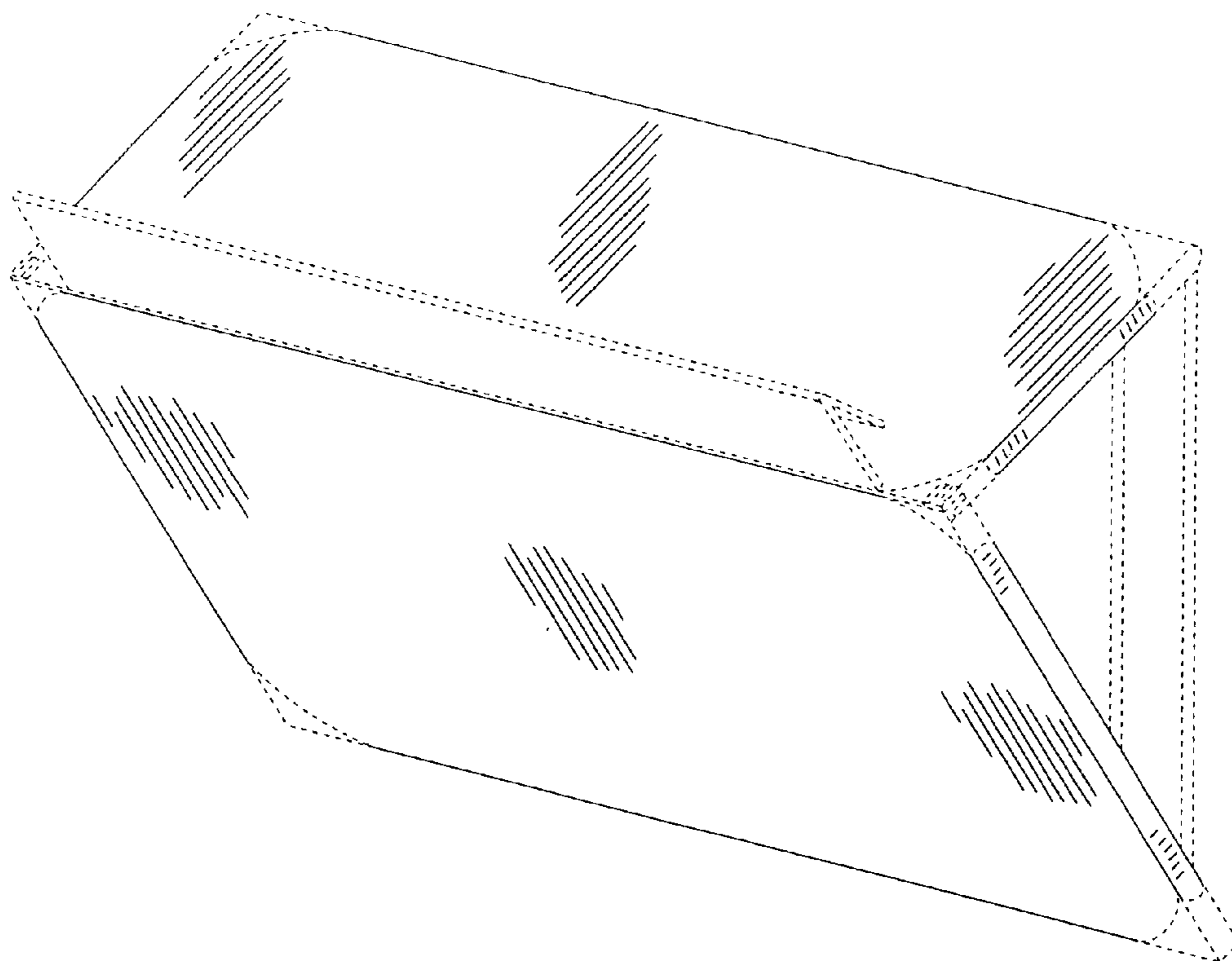


FIG. 10

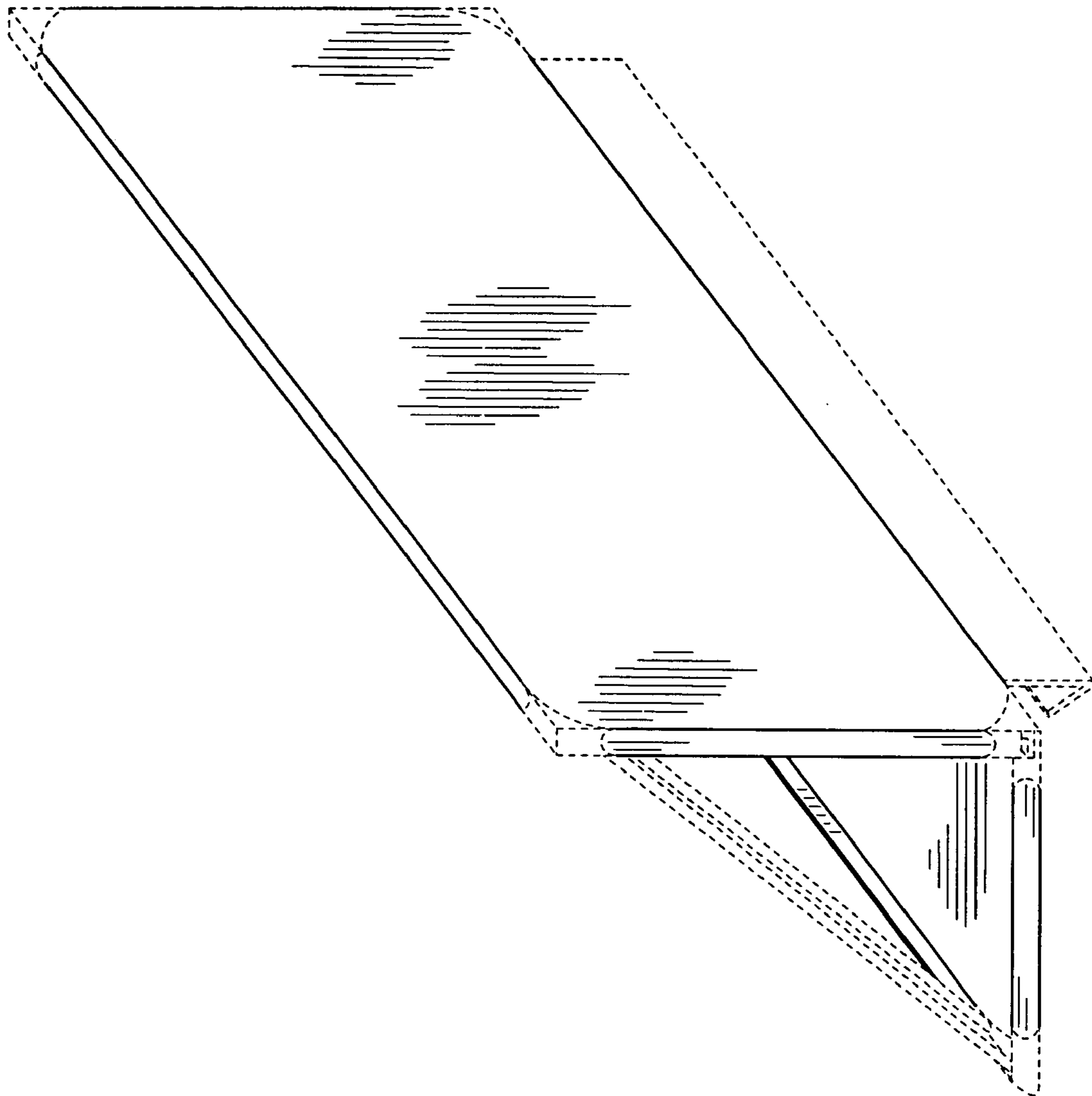


FIG. 11