



US00D550005S

(12) **United States Design Patent**
Yount

(10) **Patent No.:** **US D550,005 S**

(45) **Date of Patent:** **** Sep. 4, 2007**

(54) **TABLE SHOWING ILLINOIS COLLEGE LOGO**

Illinois folding table, Oct. 30, 2006, www.universalshopping.com/illinois-fighting-illini-college-folding-table.html.*

(76) Inventor: **Andrew Yount**, 120 Della La., Oswego, IL (US) 60543

* cited by examiner

Primary Examiner—Janice E. Seeger

(74) *Attorney, Agent, or Firm*—Clifford Kraft

(**) Term: **14 Years**

(21) Appl. No.: **29/235,273**

(57) **CLAIM**

(22) Filed: **Jul. 29, 2005**

The ornamental design for a table showing Illinois college logo, as shown and described.

(51) **LOC (8) Cl.** **06-06**

(52) **U.S. Cl.** **D6/511; D6/451**

(58) **Field of Classification Search** D6/480–489, D6/511, 497, 406.1, 450, 451, 307; 108/50.01, 108/50.02, 150, 153.1, 155, 156, 157.1, 161; D20/29, 34; D11/116, 167, 133, 157; D21/484, D21/486, 490; 446/106

See application file for complete search history.

DESCRIPTION

FIG. 1 is a perspective view of a first embodiment of the table showing Illinois college logo.

FIG. 2 is a perspective view of a second embodiment of the table where the table has an elevated lip.

FIG. 3 is a top view of the first embodiment.

FIG. 4 is a side view of the first and second embodiments of the table.

FIG. 5 is a end view thereof.

FIG. 6 is a bottom view thereof; and,

FIG. 7 is a is a top view of the second embodiment.

The word “ILLINOIS” forming part of the claimed design is a registered trademark of the University of Illinois.

The broken lines are for environmental purposes only and form no part of the claimed design.

(56) **References Cited**

U.S. PATENT DOCUMENTS

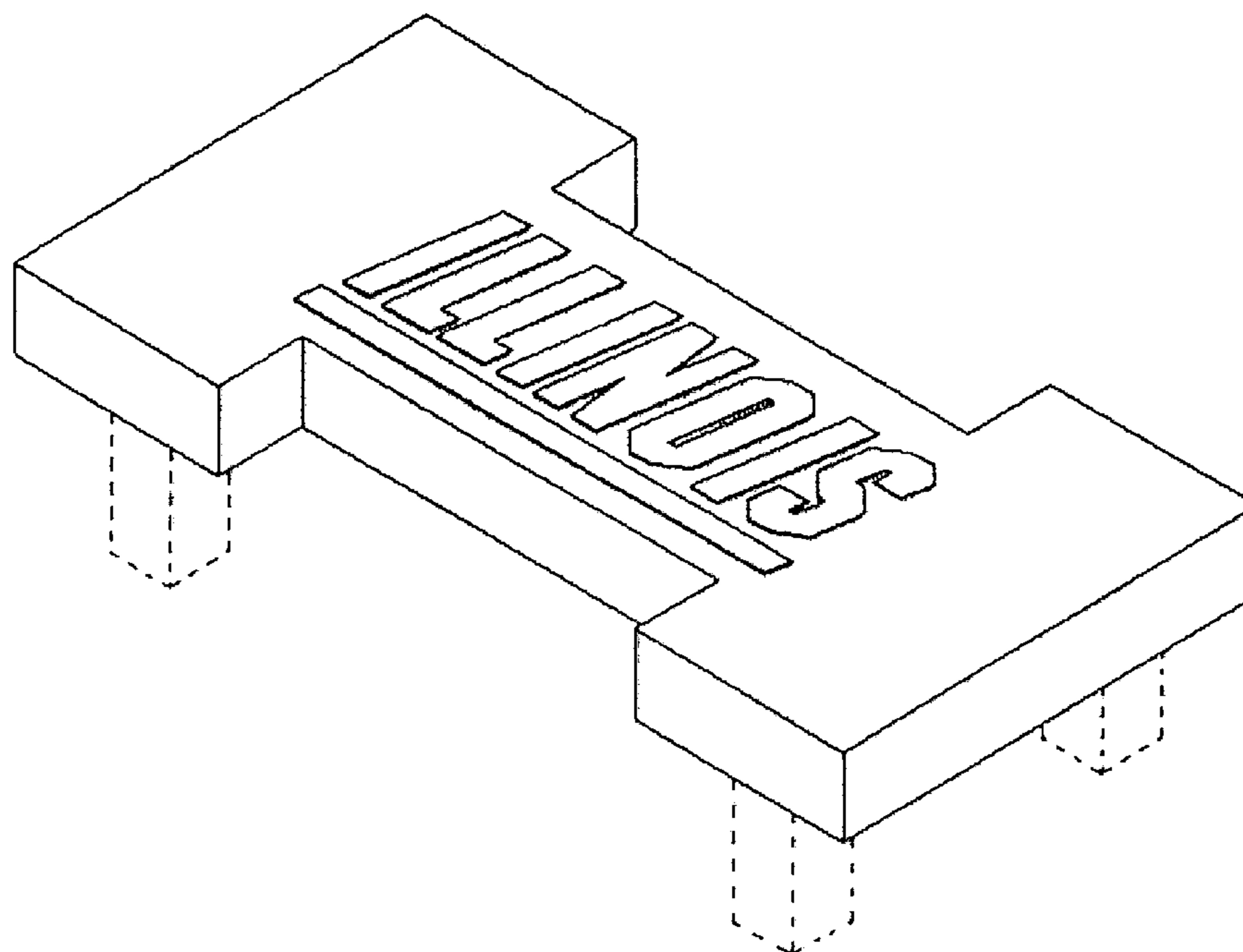
1,562,006	A *	11/1925	Sichterman	446/106
D337,670	S *	7/1993	Carter	D6/451
5,988,401	A *	11/1999	Gardner et al.	211/14
D513,394	S *	1/2006	Lecut	D11/116
D516,460	S *	3/2006	Lamb	D11/116

OTHER PUBLICATIONS

Rugw/Univ. of Illinois logo, www.valuecarpetonline.com/illinois-dm.jpg, Oct. 30, 2006.*

Illinois logo 1989-2004, www.sportslogos.www.sportslogos.net/logo.php?lo=9qfy7h9vi8jhxu2jtgdr.*

1 Claim, 7 Drawing Sheets



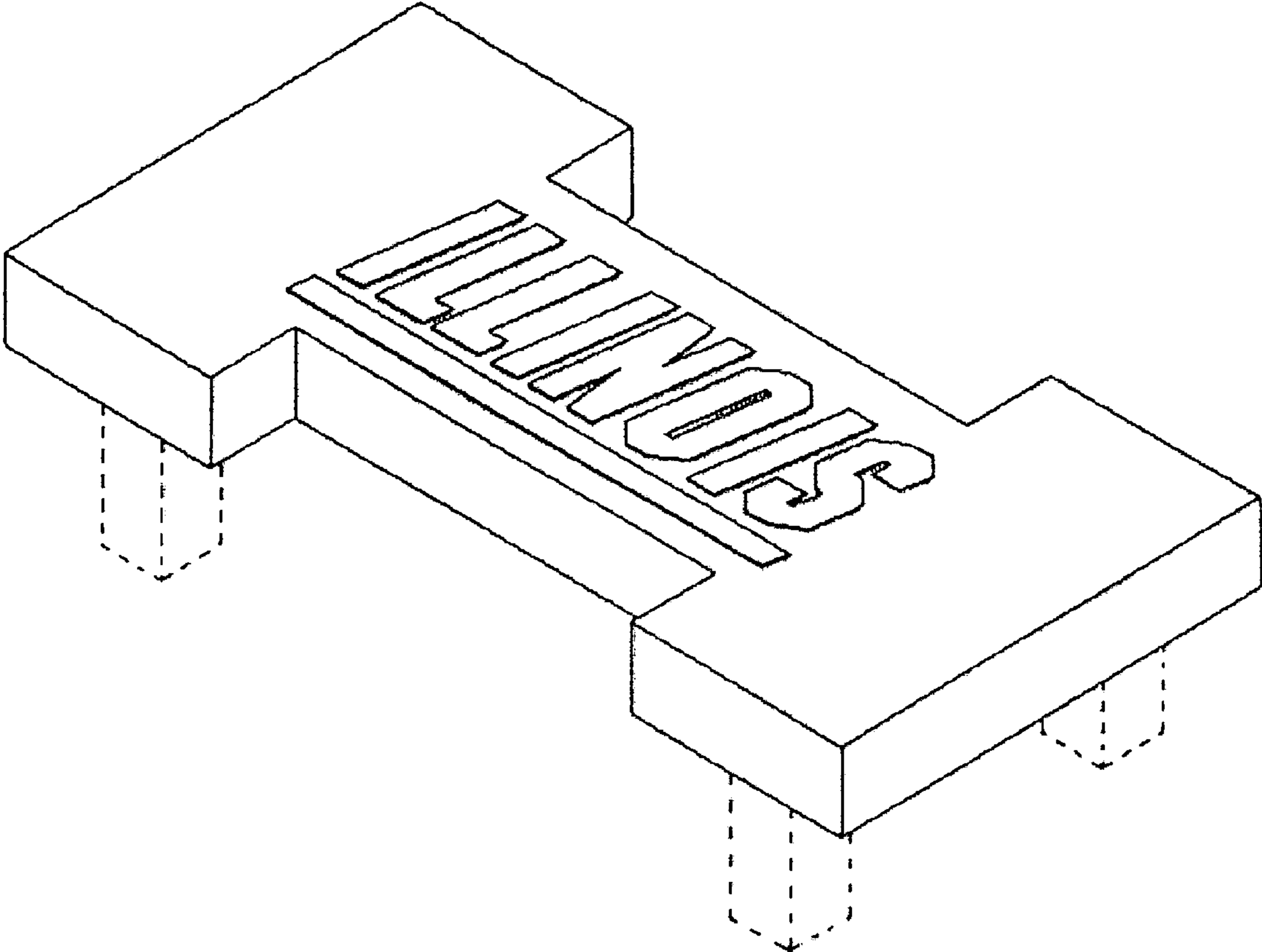


FIG.1

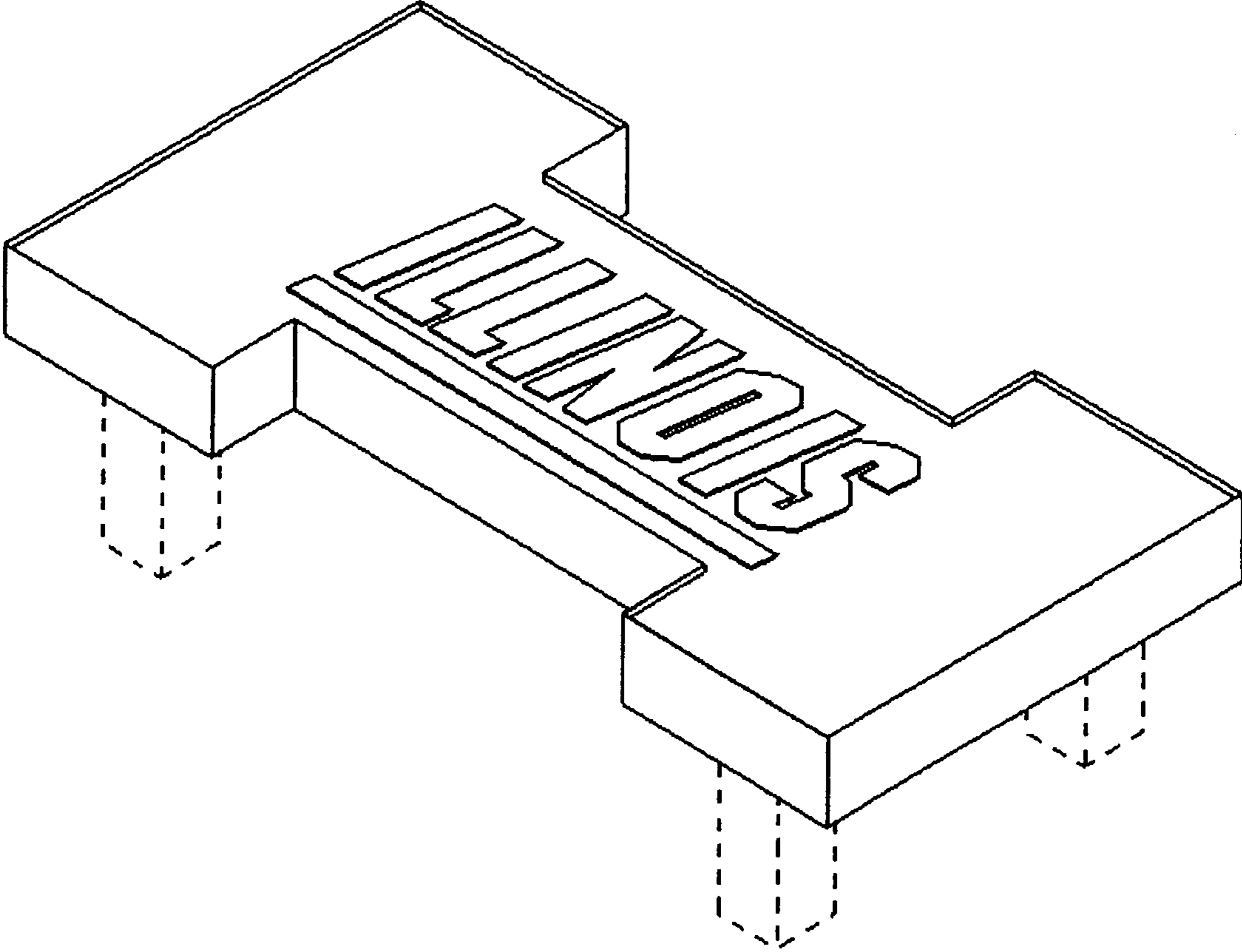


FIG.2

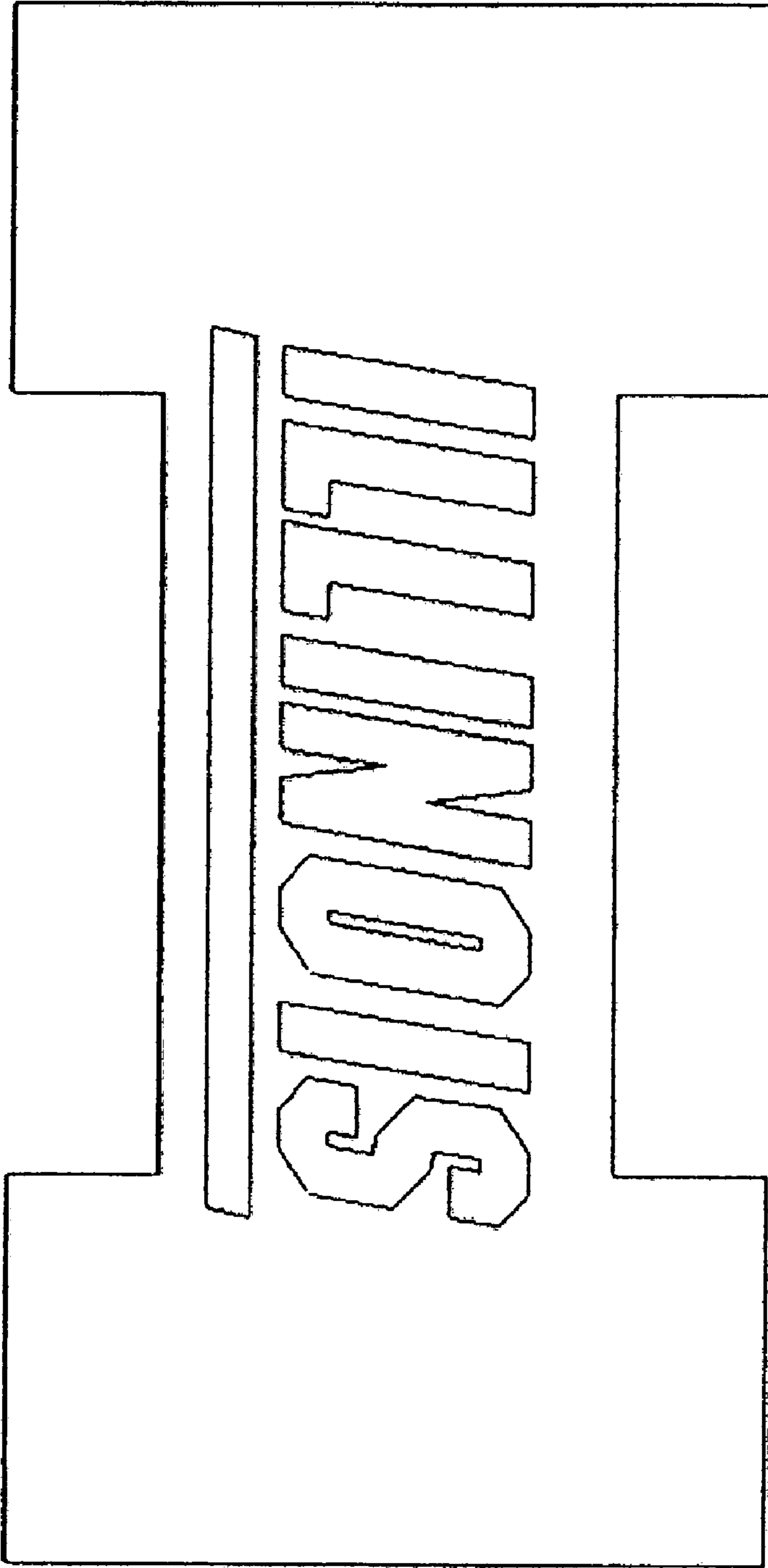


FIG.3

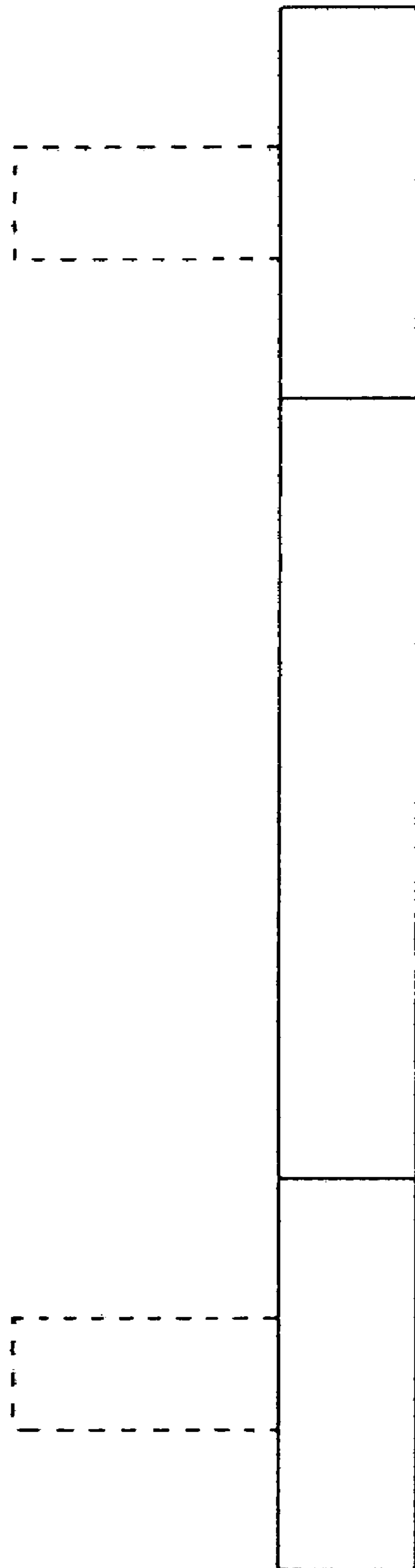


FIG.4

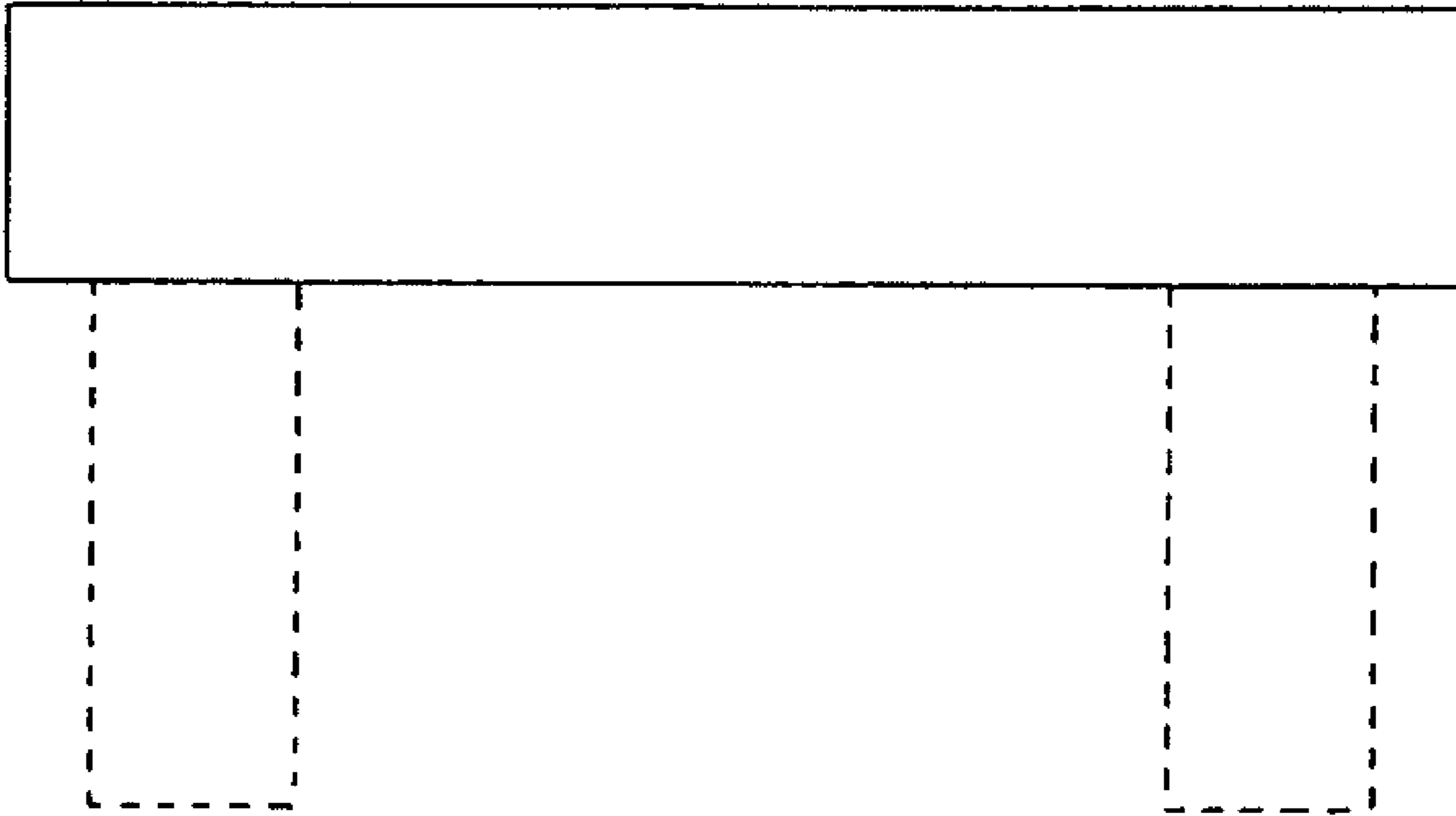


FIG.5

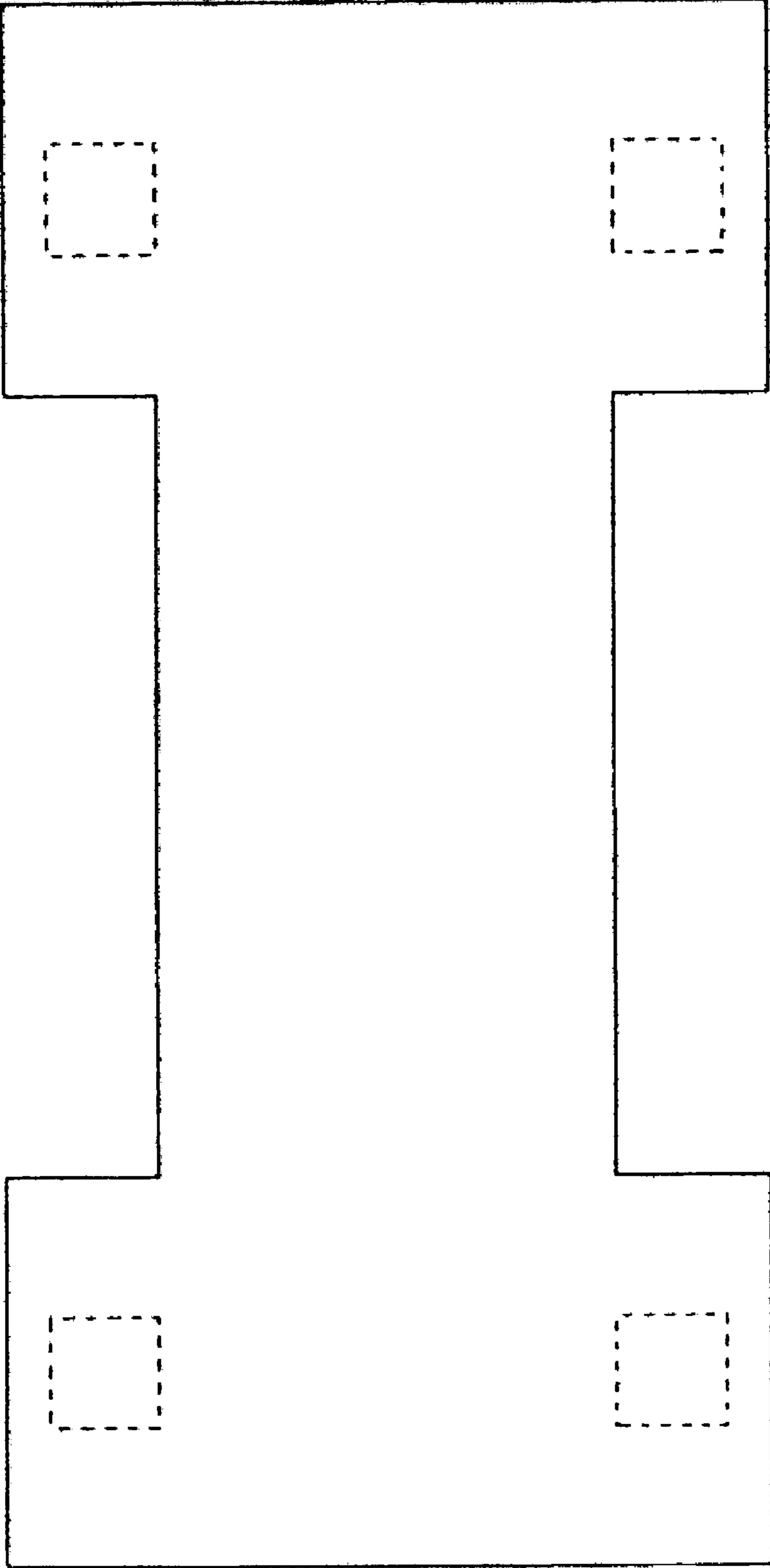


FIG.6

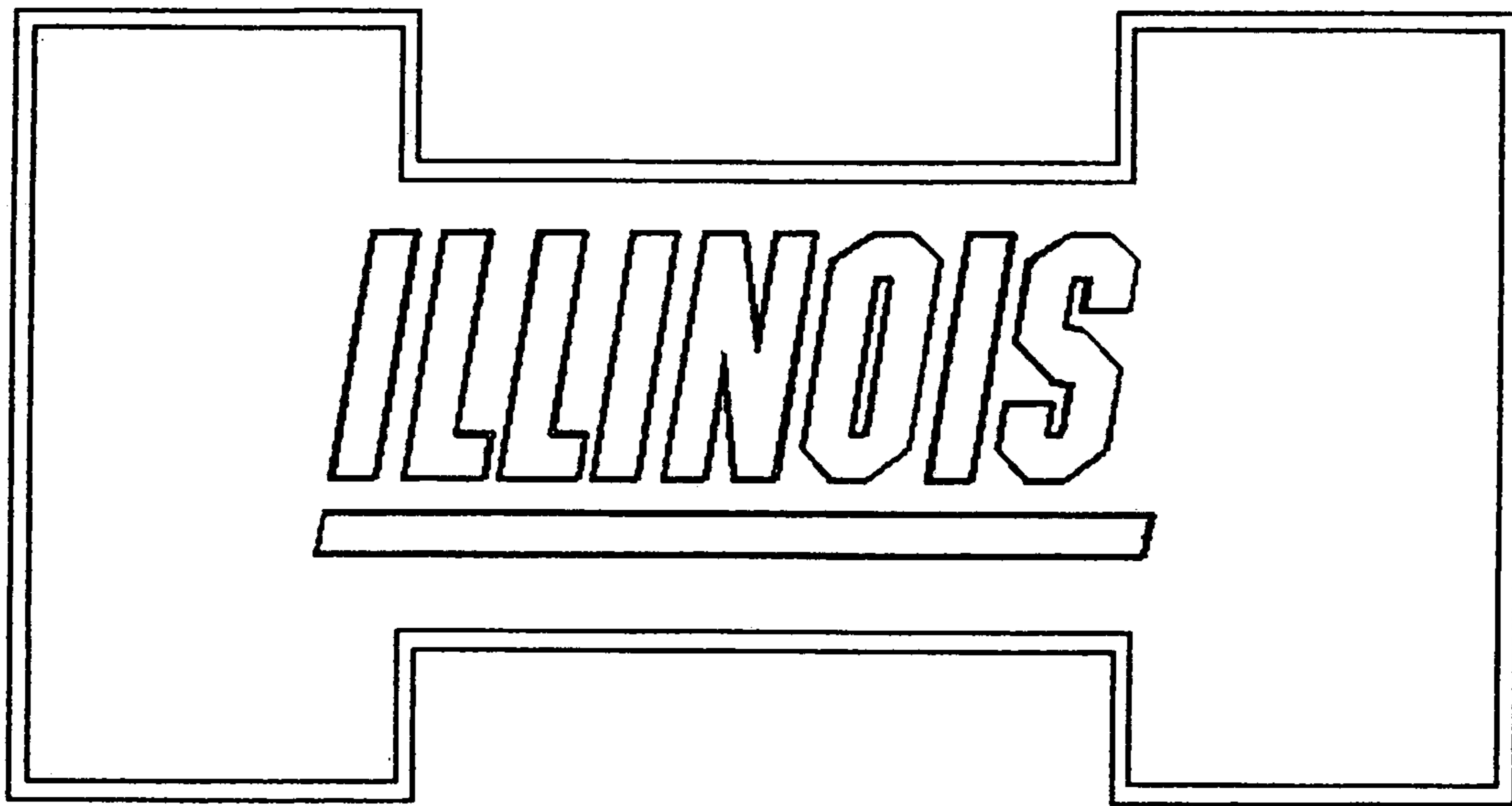


FIG. 7