

US00D549999S

(12) **United States Design Patent** (10) **Patent No.:** **US D549,999 S**  
**Fugate et al.** (45) **Date of Patent:** **\*\* Sep. 4, 2007**

(54) **ENCLOSURE FOR A SPA**  
(75) Inventors: **Norman R. Fugate**, Milwaukee, WI  
(US); **Robert J. Miller**, Waukesha, WI  
(US)

4,168,705 A 9/1979 Raab  
4,184,488 A 1/1980 Bielich  
4,330,412 A 5/1982 Frederick  
4,349,434 A 9/1982 Jaworski

(Continued)

(73) Assignee: **European Touch Holdings, Inc.**,  
Milwaukee, WI (US)

FOREIGN PATENT DOCUMENTS

JP 6-46964 2/1994

(\*\*) Term: **14 Years**

(Continued)

(21) Appl. No.: **29/257,377**

OTHER PUBLICATIONS

(22) Filed: **Apr. 3, 2006**

Korean-American Nail Solon Association of NY Nail Journal 2004,  
Jan. 31, 2006, 2 pgs.\*

(51) **LOC (8) Cl.** ..... **06-01**

(Continued)

(52) **U.S. Cl.** ..... **D6/500**

(58) **Field of Classification Search** ..... D6/334-336,  
D6/361, 371, 381, 500-502, 492; 297/445.1,  
297/446.1, 232, 248; 5/12.1

*Primary Examiner*—Sandra Snapp  
(74) *Attorney, Agent, or Firm*—Foley & Lardner LLP

See application file for complete search history.

(57) **CLAIM**

(56) **References Cited**

We claim the ornamental design for an enclosure for a spa,  
as shown and described.

U.S. PATENT DOCUMENTS

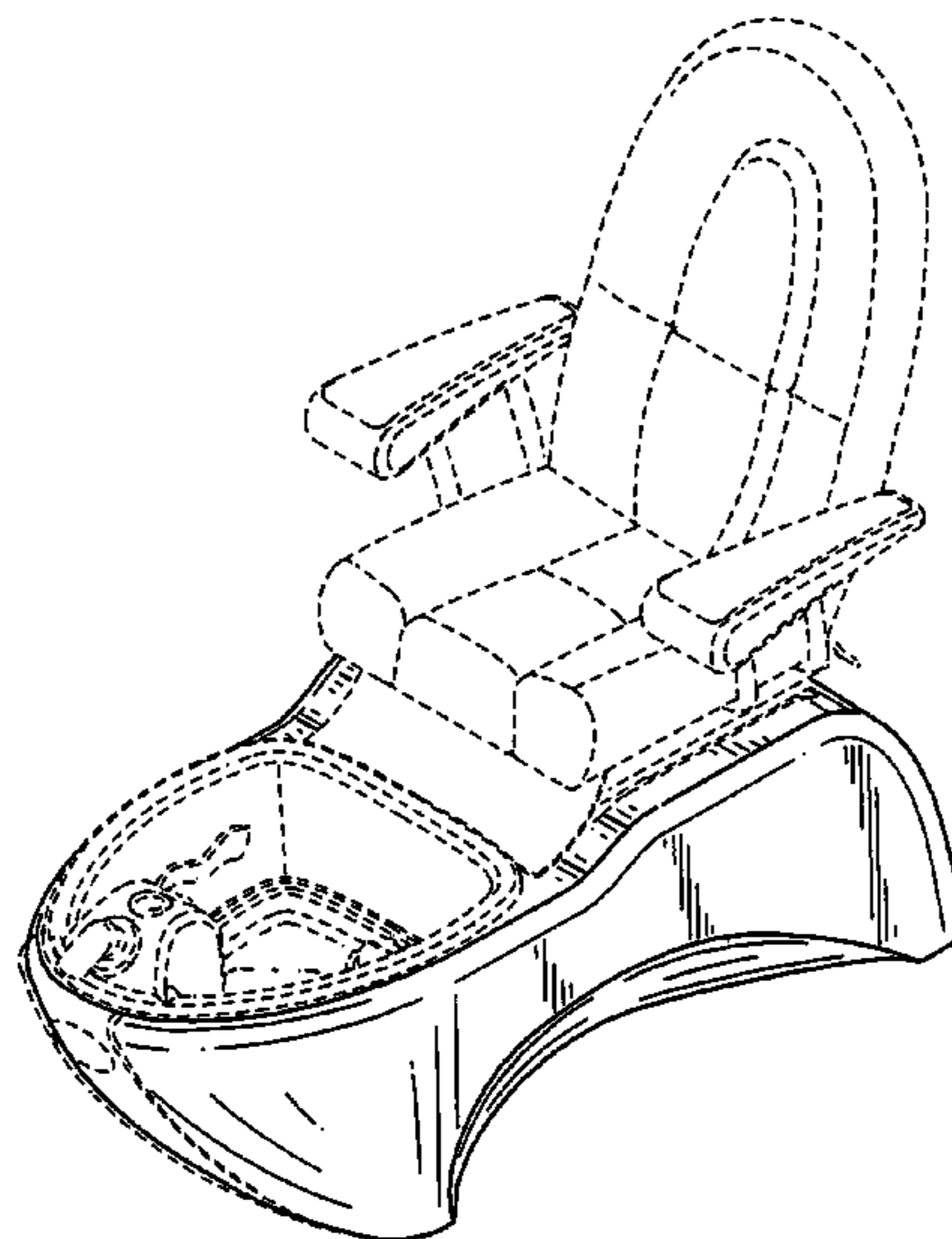
**DESCRIPTION**

2,061,142 A 11/1936 Denocenzo  
2,312,524 A 3/1943 Cox  
2,417,499 A 3/1947 Ille  
D160,368 S 10/1950 Centerbar  
2,733,711 A 2/1956 Gibson  
2,738,787 A 3/1956 Jacuzzi et al.  
3,159,849 A 12/1964 Jacuzzi  
3,273,560 A 9/1966 Jacuzzi  
3,287,741 A 11/1966 Nash  
3,297,025 A 1/1967 Jacuzzi  
3,760,800 A 9/1973 Staffin et al.  
3,832,740 A 9/1974 McClarin  
3,924,278 A 12/1975 Ekman  
3,940,807 A 3/1976 Baker et al.  
3,964,471 A 6/1976 Saethre  
3,965,495 A 6/1976 McNair  
4,004,302 A 1/1977 Hori  
4,115,878 A 9/1978 Johnson et al.

FIG. 1 is a perspective view from the upper right of the enclosure for a spa;  
FIG. 2 is a top view of the enclosure for a spa;  
FIG. 3 is a right side view of the design of FIG. 1;  
FIG. 4 is a front view of the enclosure for a spa;  
FIG. 5 is a left side view of the design of FIG. 1; and,  
FIG. 6 is a rear view of the enclosure for a spa.

The ornamental design which is claimed is shown in solid lines in the drawings. The broken lines in the drawings are for illustrative purposes only and form no part of the claimed design.

**1 Claim, 4 Drawing Sheets**



# US D549,999 S

## U.S. PATENT DOCUMENTS

4,420,846 A 12/1983 Bonner  
 4,485,503 A 12/1984 Rolando et al.  
 4,520,525 A 6/1985 Yogi et al.  
 4,525,881 A 7/1985 Higginbotham  
 D281,205 S \* 11/1985 Timmers ..... D6/336  
 D288,037 S 2/1987 Orenstein  
 D288,729 S \* 3/1987 Meyerovich et al. .... D28/61  
 4,665,572 A 5/1987 Davidson et al.  
 4,742,584 A 5/1988 Abe  
 D303,162 S \* 8/1989 Meyerovich et al. .... D28/61  
 4,853,987 A 8/1989 Jaworski  
 4,903,352 A 2/1990 Murakami  
 4,984,583 A 1/1991 Peterson et al.  
 5,044,357 A 9/1991 Johns  
 5,083,329 A 1/1992 Murakami  
 D342,165 S 12/1993 Marshall et al.  
 5,414,878 A 5/1995 Booth  
 D363,168 S 10/1995 Lewis  
 5,489,140 A 2/1996 Van Horn-Plato  
 D372,843 S 8/1996 Trent et al.  
 5,587,023 A 12/1996 Booth  
 5,588,161 A 12/1996 Barradas  
 5,729,841 A 3/1998 Chan  
 5,816,659 A 10/1998 Wolf  
 D403,515 S 1/1999 Lewis  
 D412,600 S \* 8/1999 Oh et al. .... D28/56  
 6,003,166 A 12/1999 Hald et al.  
 D421,853 S 3/2000 Black  
 D424,819 S \* 5/2000 Galati et al. .... D6/336  
 D429,379 S 8/2000 Kim  
 D429,380 S \* 8/2000 Fontier et al. .... D28/56  
 D434,916 S 12/2000 Galati, Jr. et al.  
 D435,937 S 1/2001 Back et al.  
 D454,705 S \* 3/2002 Long et al. .... D6/336  
 6,357,059 B1 3/2002 Lau  
 D455,017 S 4/2002 Tran  
 D455,566 S 4/2002 Park  
 D456,154 S 4/2002 Huynh et al.  
 6,363,548 B1 4/2002 Kuo  
 D457,018 S \* 5/2002 Park ..... D6/495

6,393,633 B2 5/2002 Ferber  
 6,405,390 B2 6/2002 Kuen  
 6,438,768 B1 8/2002 Yen  
 6,503,212 B2 1/2003 Park  
 D472,720 S \* 4/2003 Cheng ..... D6/335  
 6,565,522 B1 5/2003 Chen  
 6,598,244 B1 7/2003 Yeh  
 D479,919 S 9/2003 Genelli et al.  
 6,659,112 B1 12/2003 Haupt  
 D487,533 S 3/2004 Abbott et al.  
 6,698,039 B1 \* 3/2004 Park ..... 4/622  
 6,790,188 B2 9/2004 Chen  
 6,805,678 B2 10/2004 Cafaro  
 D498,599 S \* 11/2004 Luong ..... D6/336  
 6,880,182 B2 4/2005 Gruenwald  
 D504,783 S \* 5/2005 Park ..... D6/336  
 D505,021 S \* 5/2005 Kim ..... D6/336  
 6,916,297 B2 7/2005 Hafemann  
 6,923,206 B2 8/2005 Glover et al.  
 6,973,683 B2 12/2005 Lev et al.  
 6,979,300 B1 12/2005 Julian et al.  
 D518,182 S 3/2006 Cafaro  
 7,028,362 B2 4/2006 Davallou  
 D520,761 S \* 5/2006 Masuda ..... D6/336  
 7,065,808 B2 6/2006 Leung et al.  
 D526,505 S \* 8/2006 Gruenwald et al. .... D6/381  
 2004/0216225 A1 11/2004 Booth et al.

## FOREIGN PATENT DOCUMENTS

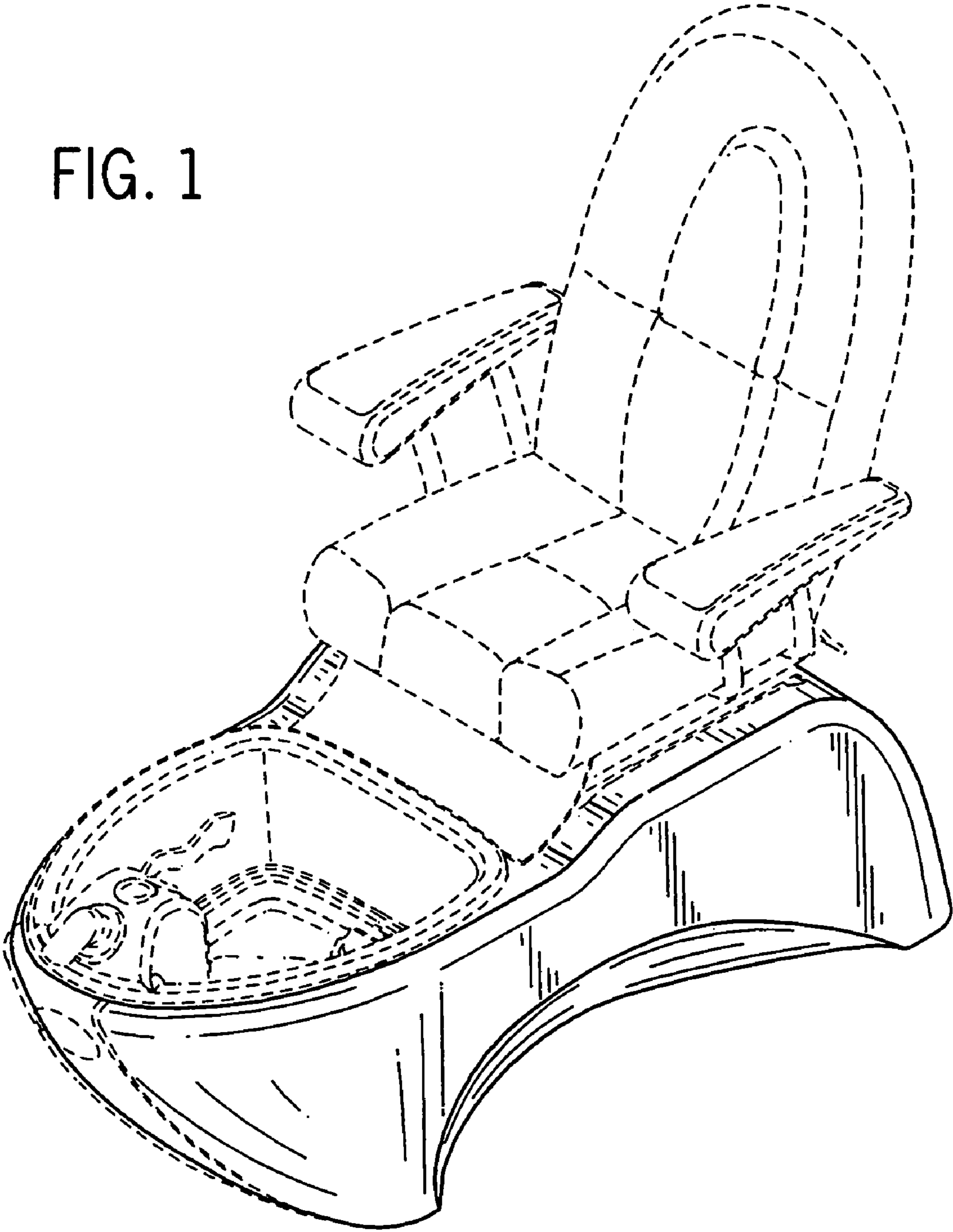
JP 6-78858 3/1994  
 JP 6-339509 12/1994

## OTHER PUBLICATIONS

Golden Ratio Woodworks—The Grand Versailles; printed on Mar. 31, 2006 from website <http://www.goldenratio.com/GRW/Spa/GrandVersailles.html>, 1 page.  
 SpaEquip: LaFleur Pedicure Chair from Gulfstream; printed on Feb. 15, 2006 from website <http://www.spaequip.com/store/GSLF.jsp>, 1 page.

\* cited by examiner

FIG. 1



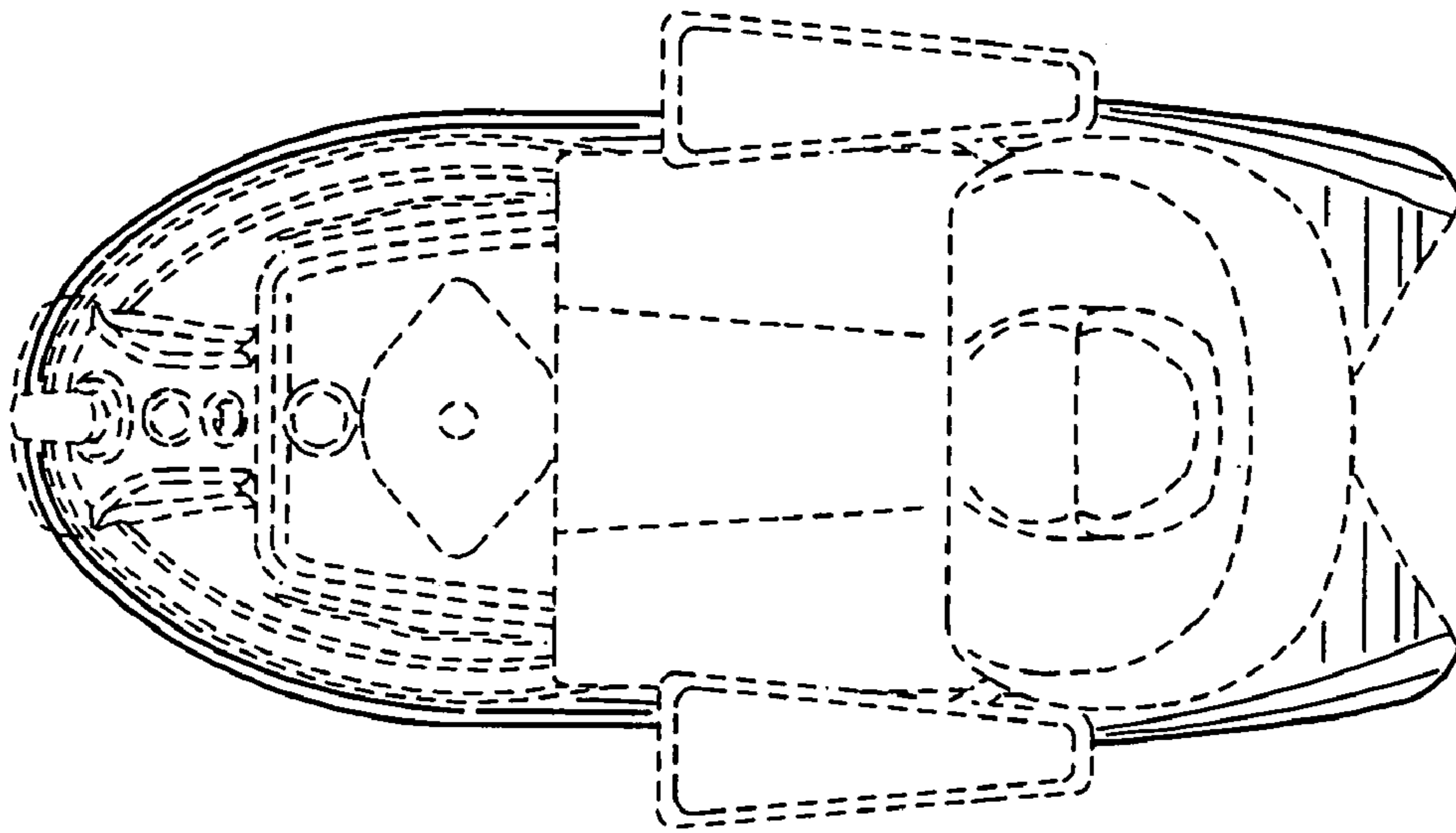


FIG. 2

FIG. 3

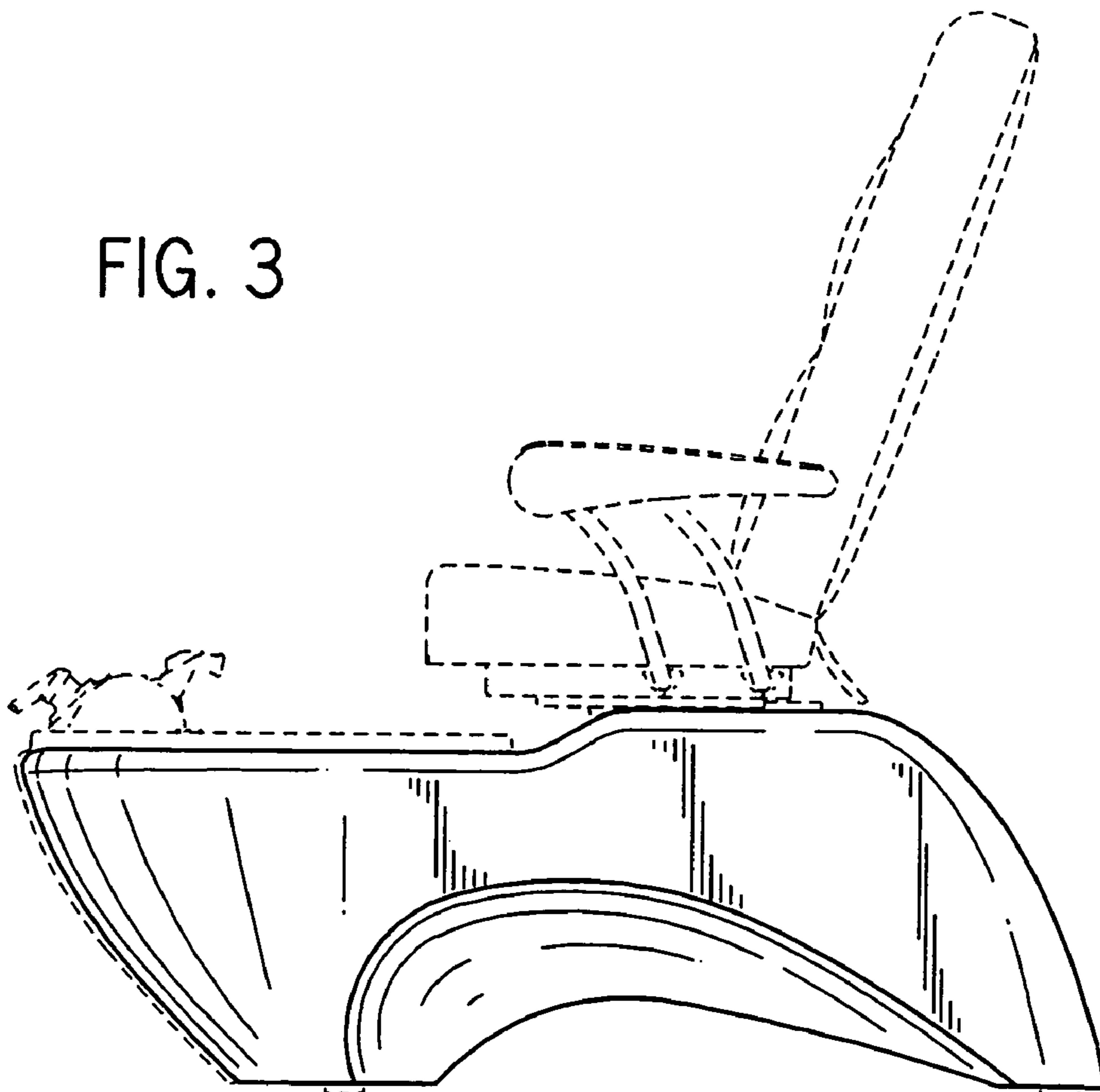


FIG. 4

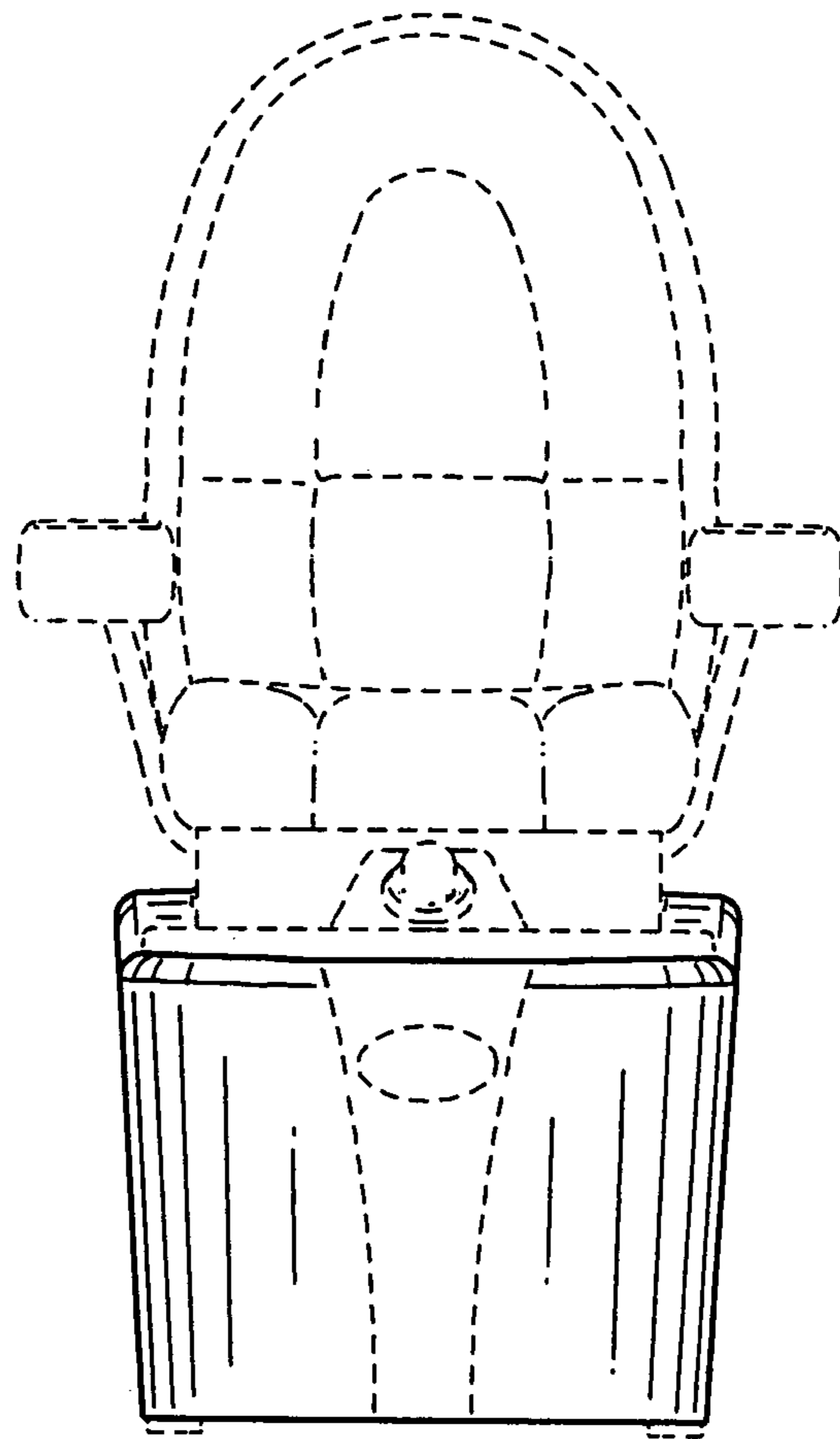
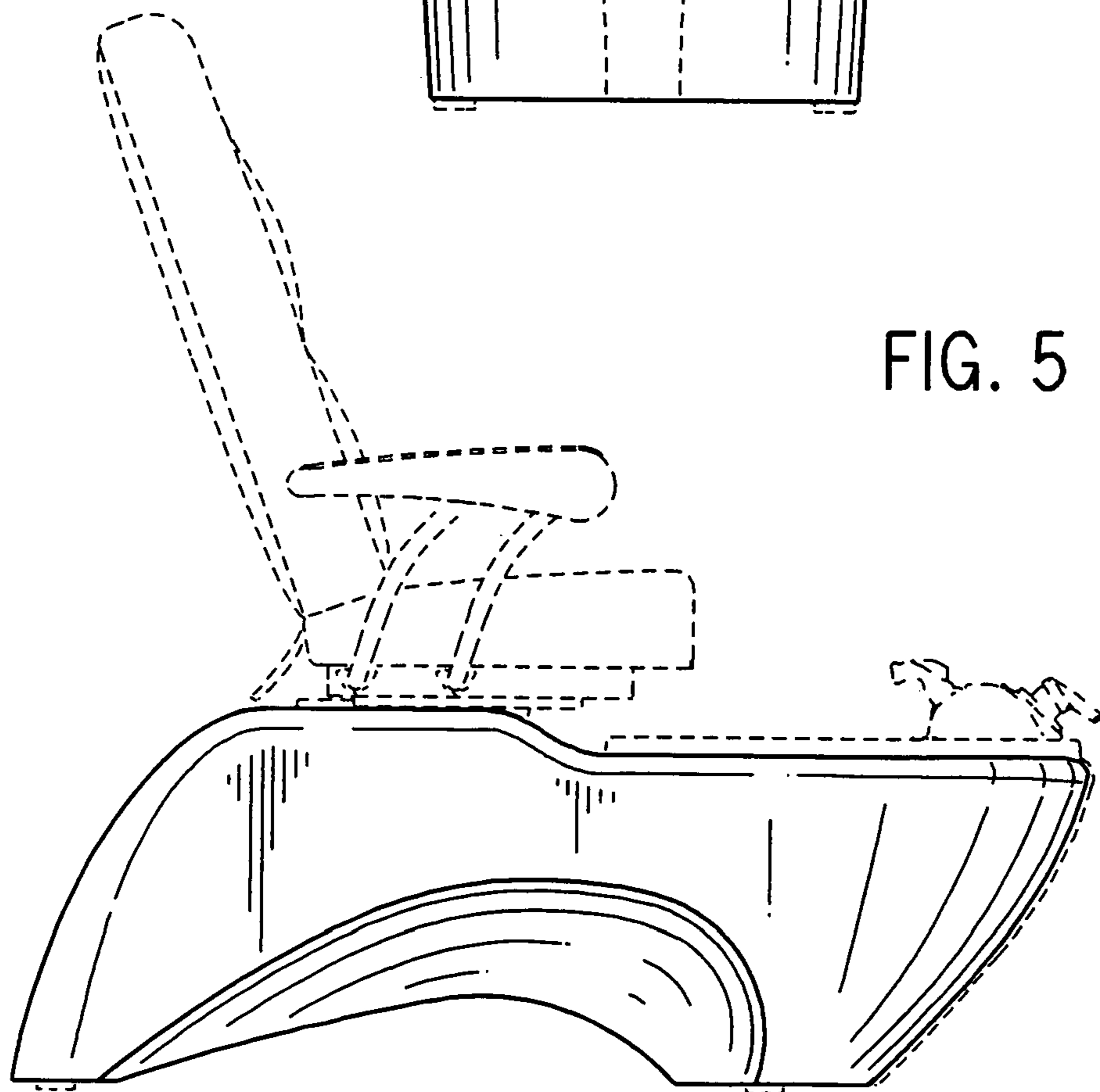


FIG. 5



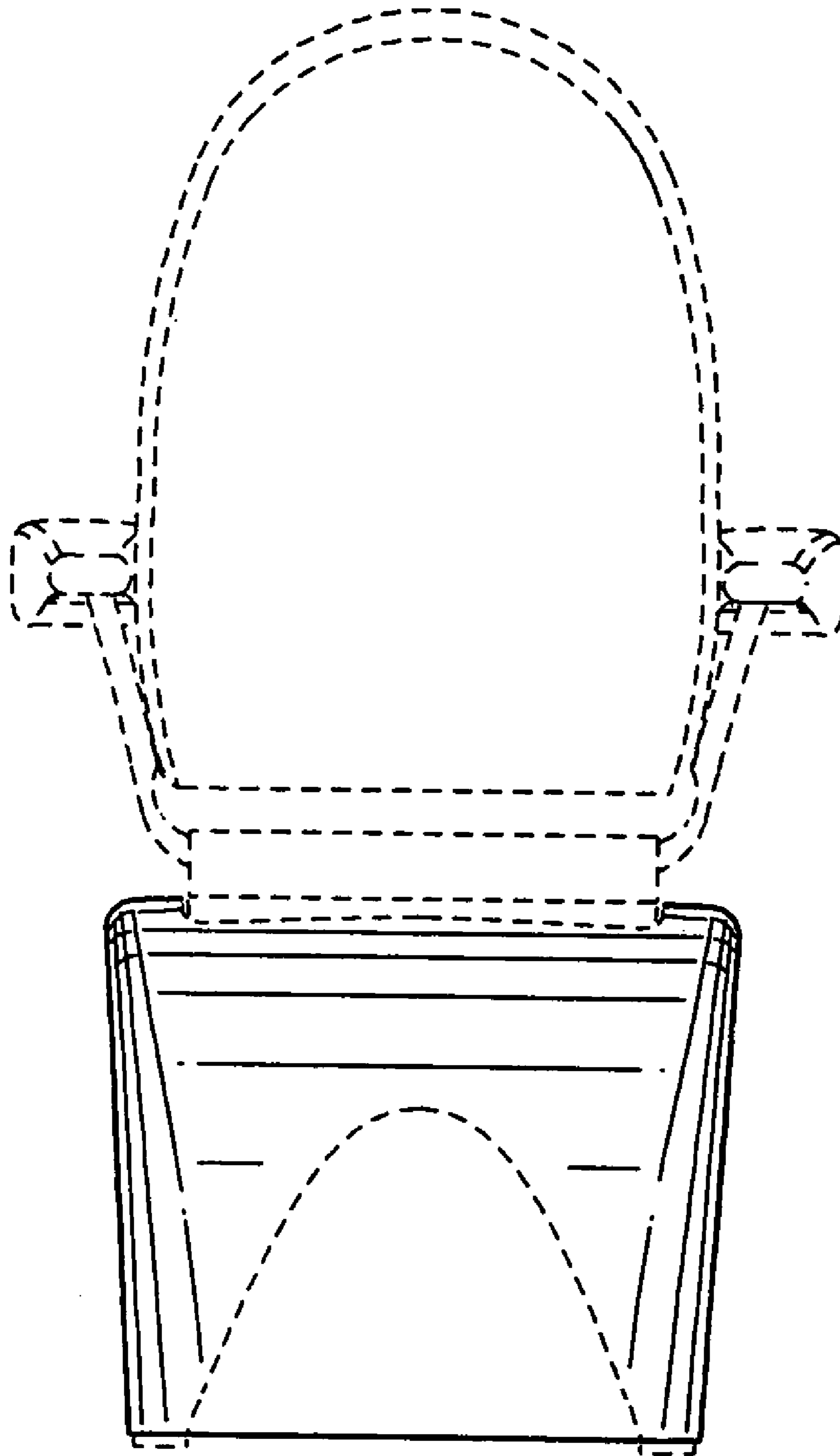


FIG. 6