

US00D549993S

(12) **United States Design Patent**
Guiles et al.

(10) **Patent No.:** **US D549,993 S**

(45) **Date of Patent:** **** Sep. 4, 2007**

(54) **FURNITURE POST**

(75) Inventors: **Melvin J. Guiles**, West Olive, MI (US);
James J. Rosasco, Grand Haven, MI (US)

(73) Assignee: **Shape Corporation**, Grand Haven, MI (US)

(**) Term: **14 Years**

(21) Appl. No.: **29/224,264**

(22) Filed: **Feb. 28, 2005**

(51) **LOC (8) Cl.** **06-06**

(52) **U.S. Cl.** **D6/491**

(58) **Field of Classification Search** D6/491,
D6/509-511, 466-468, 553, 495; 52/38,
52/588.1, 27, 36.1, 36.4-36.6, 385, 239,
52/705; 211/85.26, 94.01, 87.01, 189, 90.01,
211/190, 90.02, 186, 187, 193; D25/119,
D25/122, 124, 125, 123; D20/10; 248/235,
248/241, 243, 250, 222.51

See application file for complete search history.

(56) **References Cited**

U.S. PATENT DOCUMENTS

D221,742 S *	9/1971	Starck	D25/119
D288,881 S *	3/1987	Cowdroy	D6/491
D299,760 S *	2/1989	Hagg	D25/119
D300,397 S *	3/1989	Michaelsen	D6/491
D305,366 S *	1/1990	Ripley	D25/119
D305,367 S *	1/1990	Ripley	D25/119
D320,902 S *	10/1991	Leist	D6/491
D345,427 S *	3/1994	Moss et al.	D25/119
D345,428 S *	3/1994	Bancroft	D25/119

D348,109 S *	6/1994	Dallaire et al.	D25/119
D421,688 S *	3/2000	Doud et al.	D6/491
D425,734 S *	5/2000	Bauer	D6/491
D470,689 S *	2/2003	High	D6/492
D473,662 S *	4/2003	Shaw	D25/119
D485,621 S *	1/2004	Deel	D25/119
D489,465 S *	5/2004	Allsopp	D25/119
6,811,043 B2 *	11/2004	Perkins et al.	211/94.01
D518,900 S *	4/2006	Barnett	D25/119
D520,148 S *	5/2006	Kendall et al.	D25/138
7,108,141 B2 *	9/2006	Gonzalez-Rivera	211/94.01
D532,120 S *	11/2006	Holztrager	D25/123

* cited by examiner

Primary Examiner—Caron D. Veynar

Assistant Examiner—Sydney R. Buffalow

(74) *Attorney, Agent, or Firm*—Warner Norcross & Judd LLP

(57) **CLAIM**

The ornamental design for a furniture post, as shown and described.

DESCRIPTION

FIG. 1 is a perspective view of a furniture post embodying the new design;

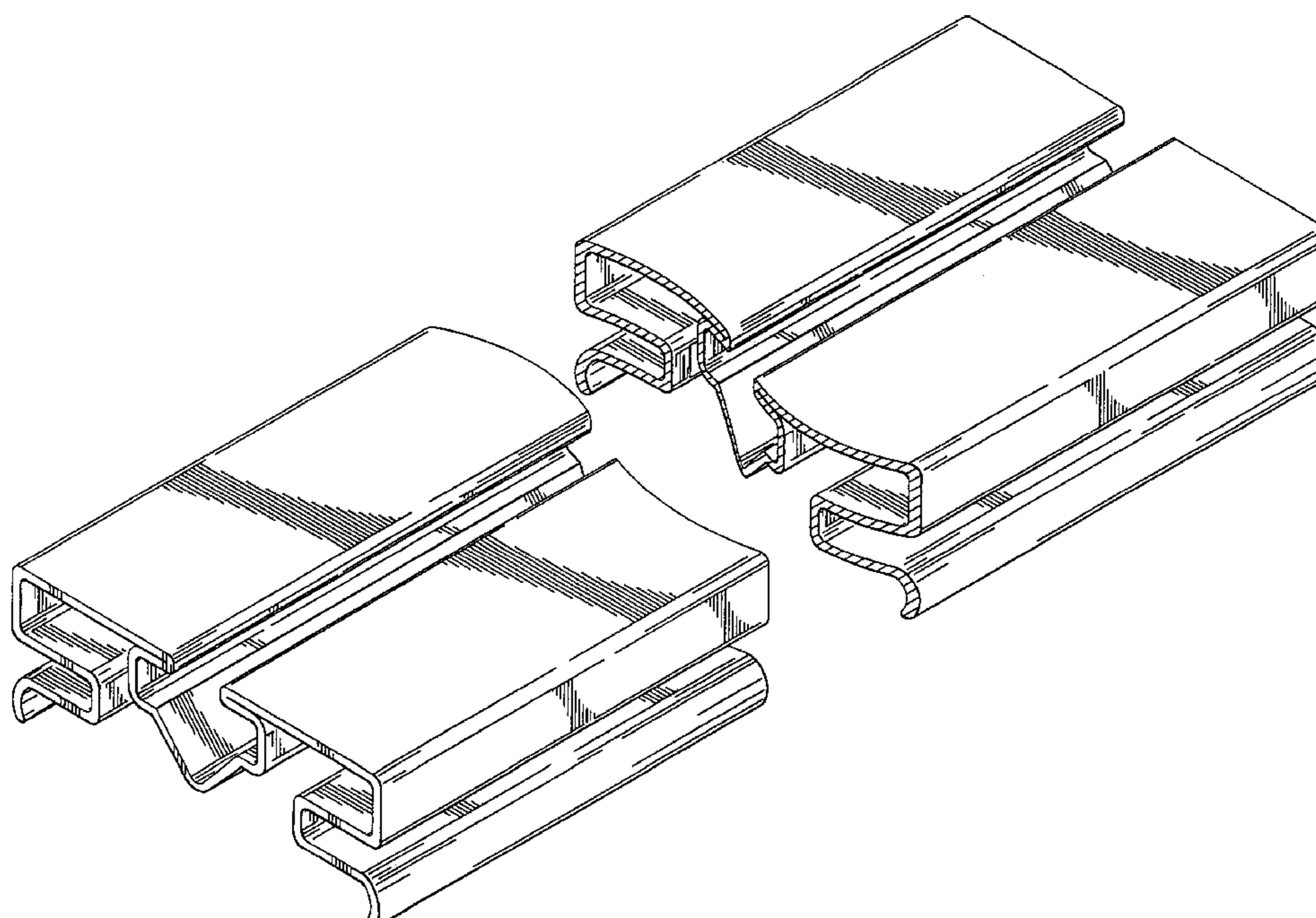
FIG. 2 is a left side elevational view, the right side being a mirror image thereof;

FIG. 3 is a front elevational view, the rear being a mirror image thereof;

FIG. 4 is a top plan view thereof; and,

FIG. 5 is a bottom plan view thereof.

1 Claim, 4 Drawing Sheets



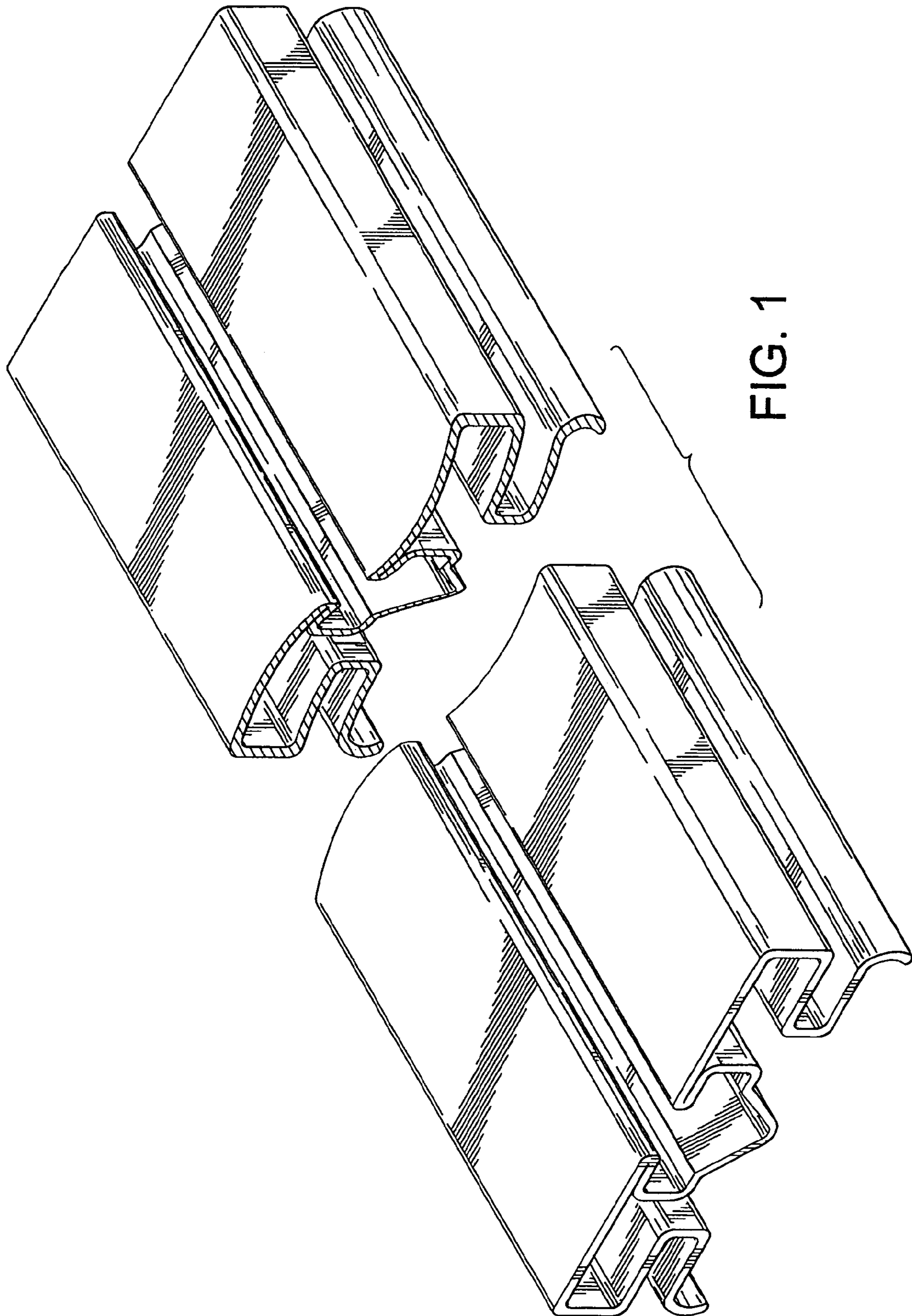


FIG. 1

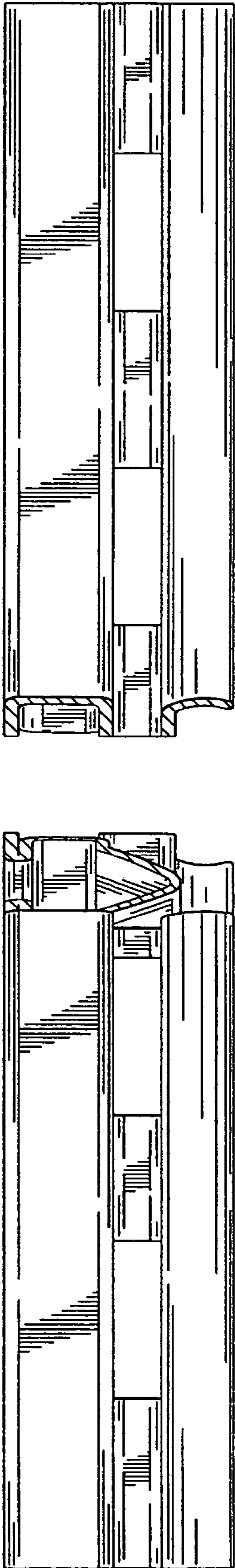


FIG. 2

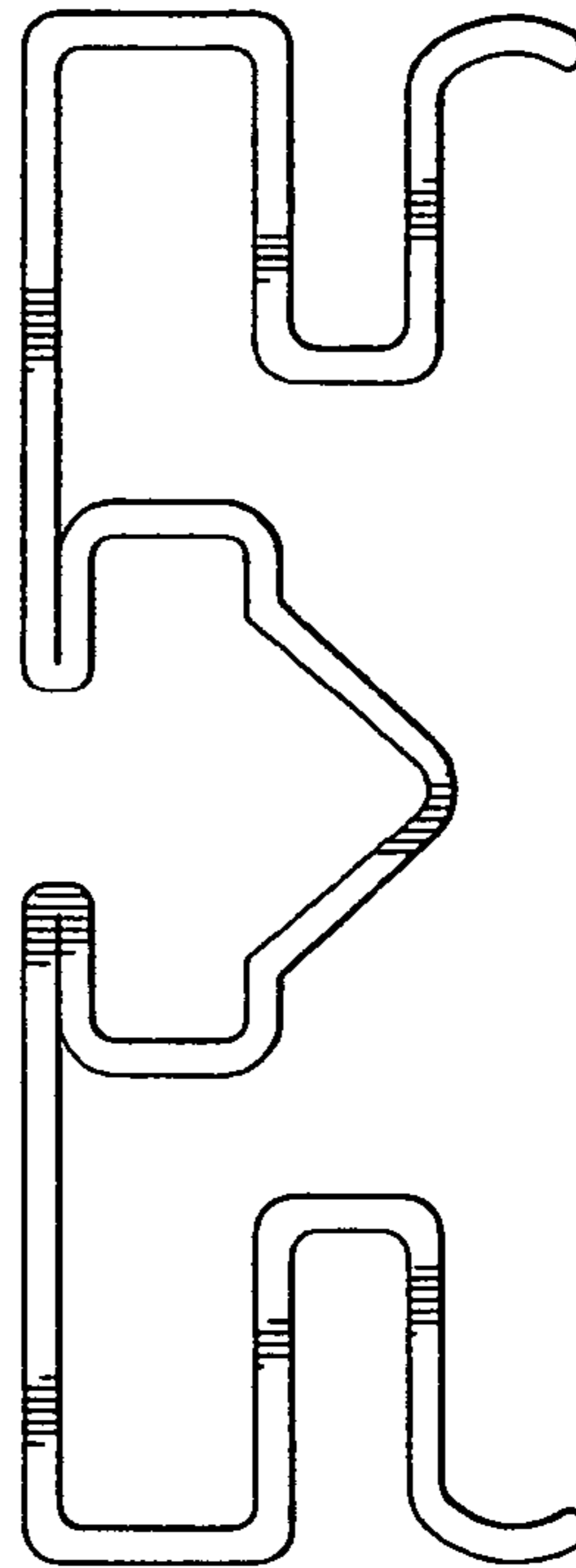


FIG. 3

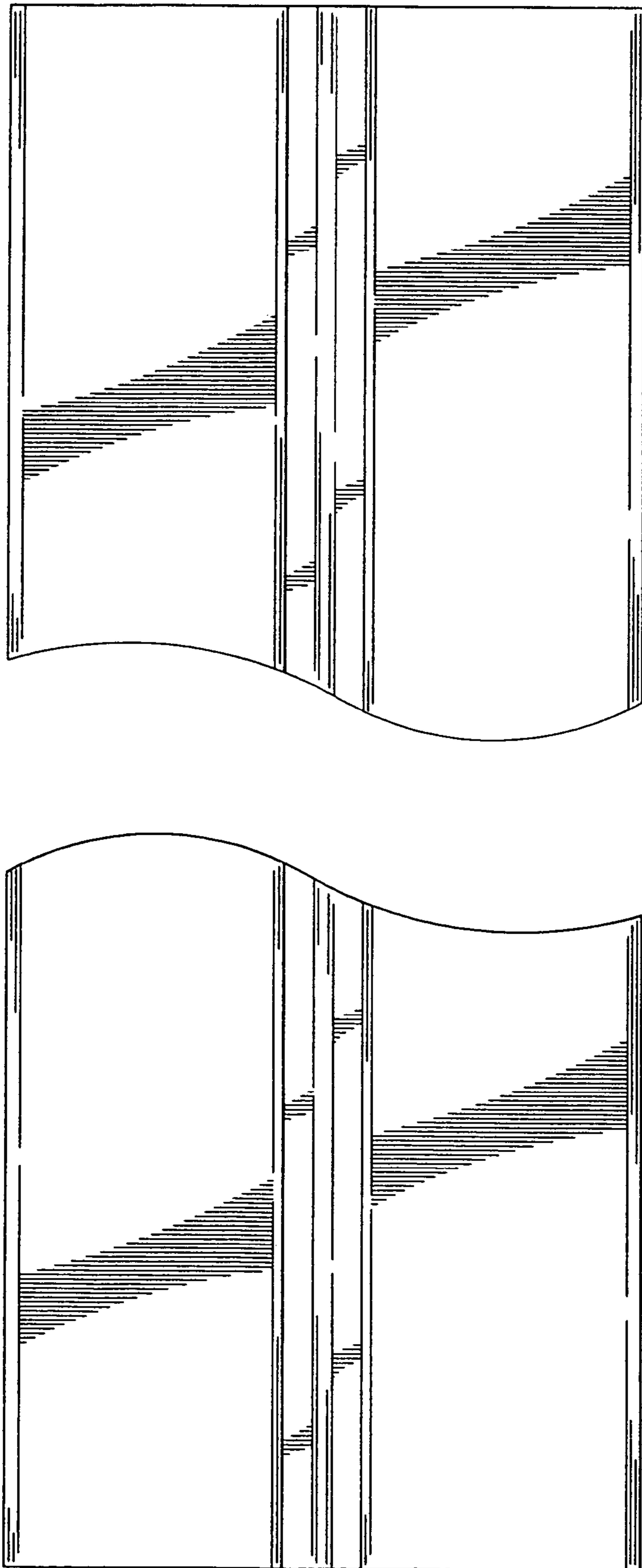


FIG. 4

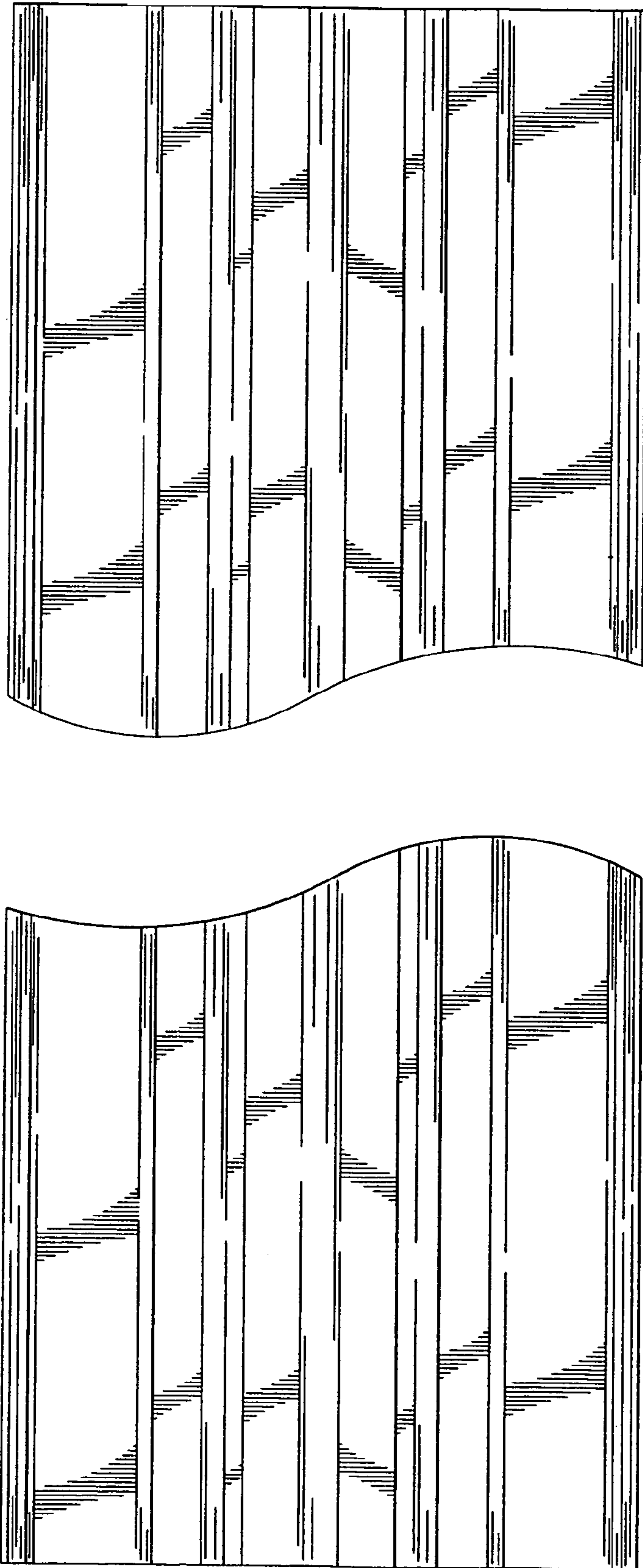


FIG. 5