

US00D549991S

(12) **United States Design Patent**
Stravitz

(10) **Patent No.:** **US D549,991 S**

(45) **Date of Patent:** **** Sep. 4, 2007**

- (54) **AUDIO VIDEO SHELVING UNIT**
- (75) Inventor: **Edward Stravitz**, Holmdel, NJ (US)
- (73) Assignee: **Bell'O International L.L.C.**,
Morganville, NJ (US)
- (**) Term: **14 Years**

D467,099 S	12/2002	Antonioni	
D472,073 S	3/2003	de Carolis	
D472,074 S	3/2003	de Carolis	
D472,075 S	3/2003	de Carolis	
D477,159 S	7/2003	Niitsu	
D477,292 S	7/2003	Inoue et al.	
D483,966 S	12/2003	Forlenza et al.	
D485,539 S	1/2004	Goto et al.	
D488,005 S	* 4/2004	Feng D6/480
D527,210 S	* 8/2006	Berry et al. D6/480

- (21) Appl. No.: **29/251,065**
- (22) Filed: **Jan. 4, 2006**

- (51) **LOC (8) Cl.** **06-04**
 - (52) **U.S. Cl.** **D6/470**
 - (58) **Field of Classification Search** D6/436,
D6/470-472; 312/7.2, 114, 117, 118; 108/92;
211/135
- See application file for complete search history.

(56) **References Cited**
U.S. PATENT DOCUMENTS

D137,791 S	*	5/1944	Doner	D6/470
D143,599 S	*	1/1946	Karp	D6/478
3,790,241 A	*	2/1974	Messina	312/111
D236,054 S		7/1975	Ginat		
4,102,275 A	*	7/1978	Spound et al.	108/92
4,193,650 A	*	3/1980	Gray et al.	108/92
D371,259 S		7/1996	Herbst		
5,584,595 A		12/1996	Gantitano et al.		
D378,175 S		2/1997	Hamami		
D402,486 S		12/1998	Wada et al.		
D405,630 S		2/1999	Wohlford		
D441,217 S		5/2001	Pepin et al.		
D451,307 S		12/2001	Dong		

OTHER PUBLICATIONS

Bell'O 2002 International Catalog, selected pages.

* cited by examiner

Primary Examiner—Cathron C. Brooks
(74) *Attorney, Agent, or Firm*—Lerner, David, Littenberg,
Krumholz & Mentlik, LLP

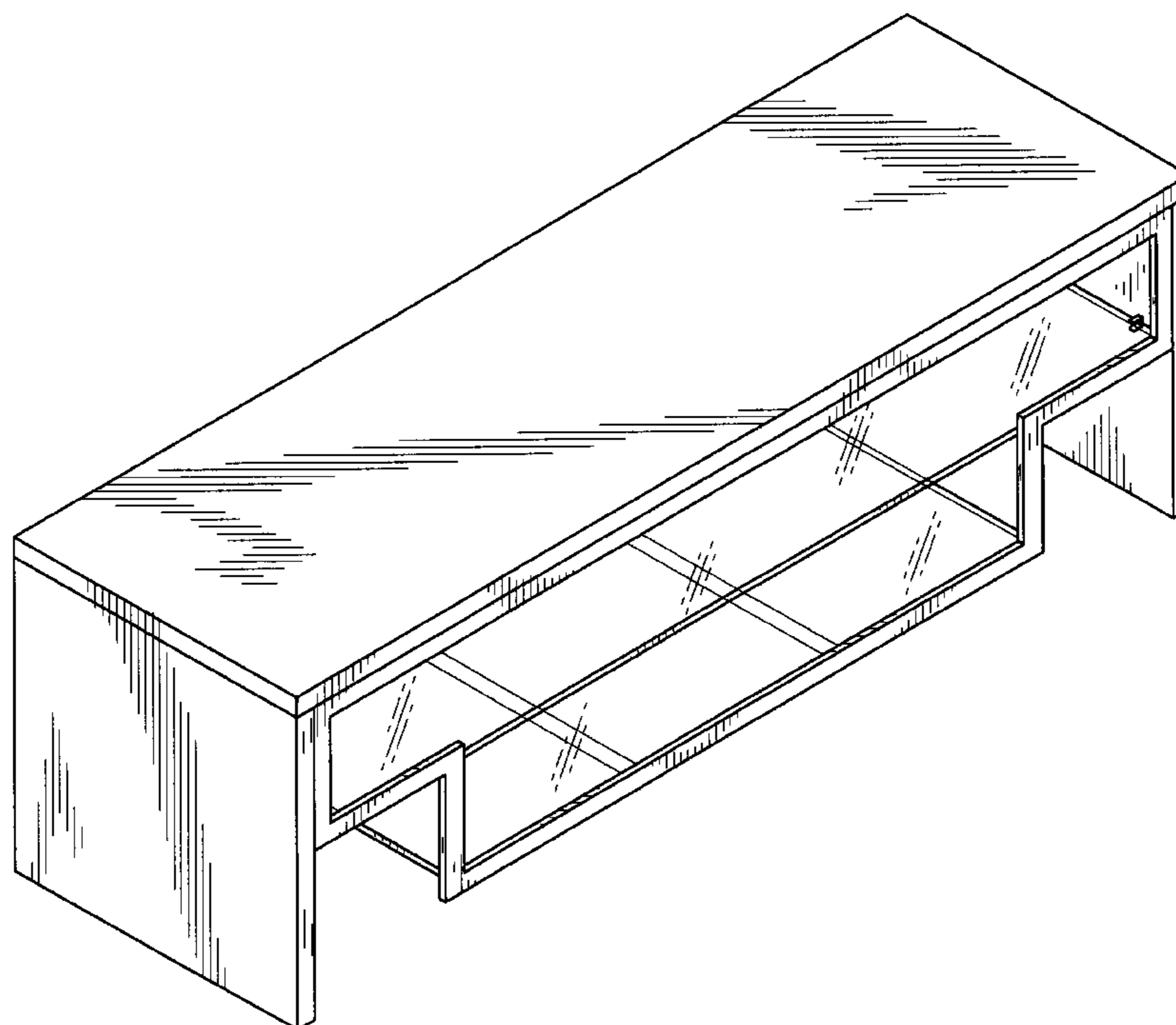
(57) **CLAIM**

The ornamental design for audio video shelving unit, as shown and described.

DESCRIPTION

FIG. 1 is a top perspective view of the audio video shelving unit;
FIG. 2 is a front plan view thereof;
FIG. 3 is a rear view thereof;
FIG. 4 is a right side view thereof (the left side being a mirror image of the right side view); and,
FIG. 5 is a top plan view thereof.

1 Claim, 5 Drawing Sheets



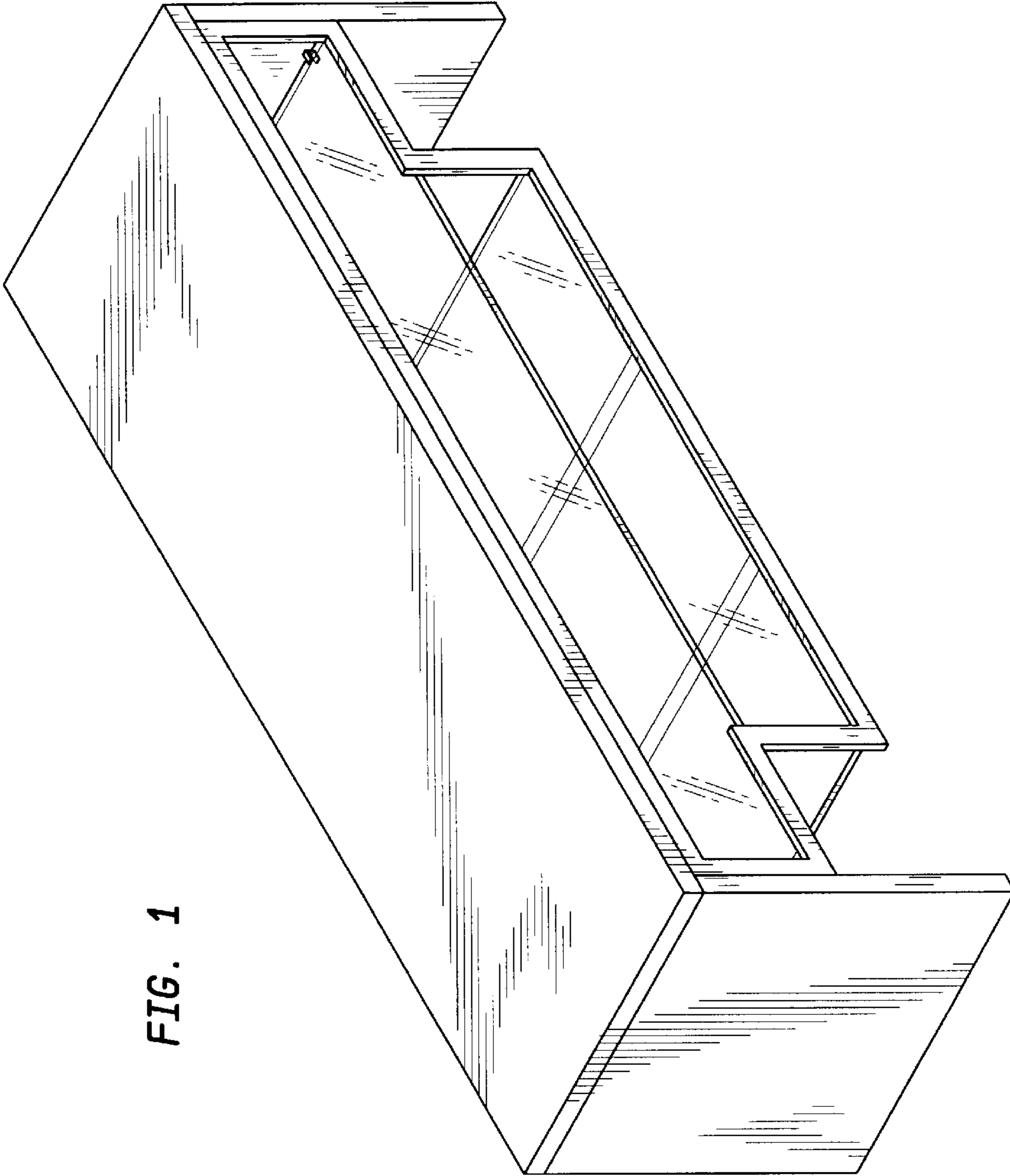


FIG. 1

FIG. 2

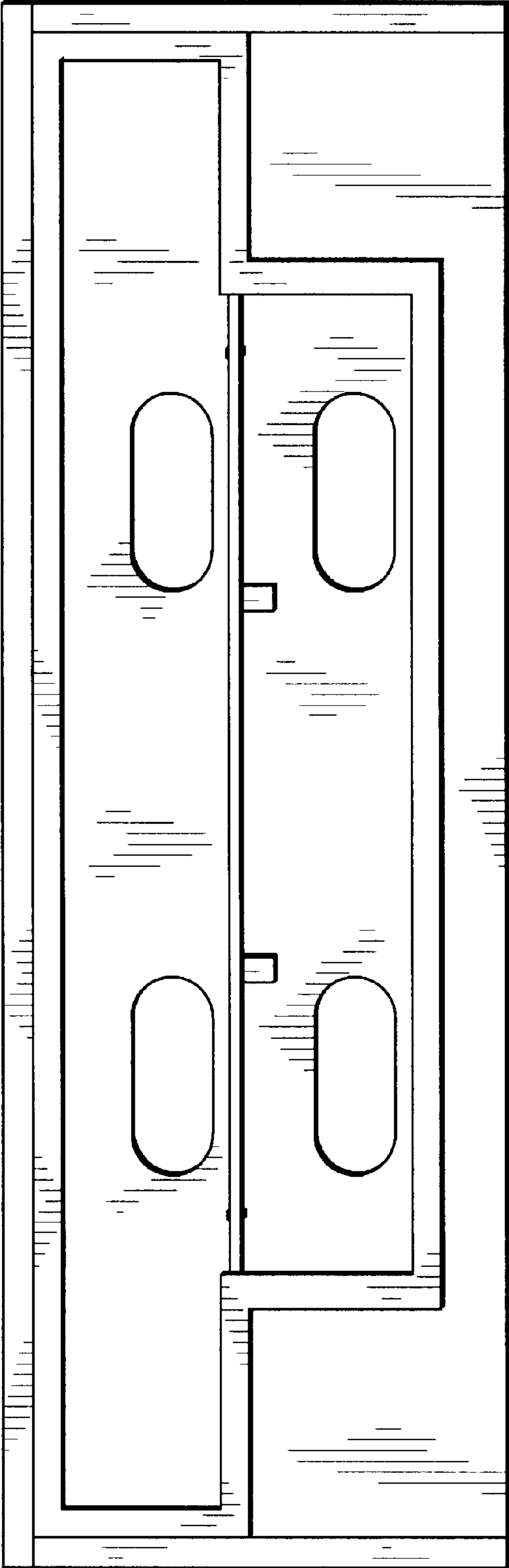


FIG. 3

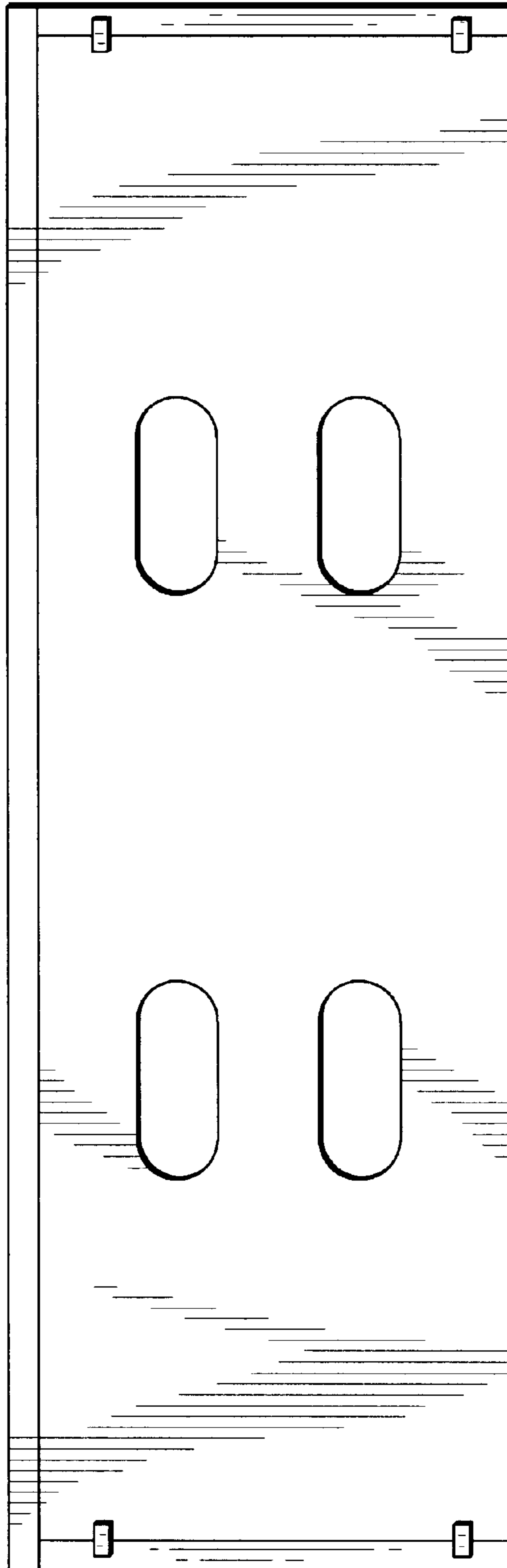


FIG. 4

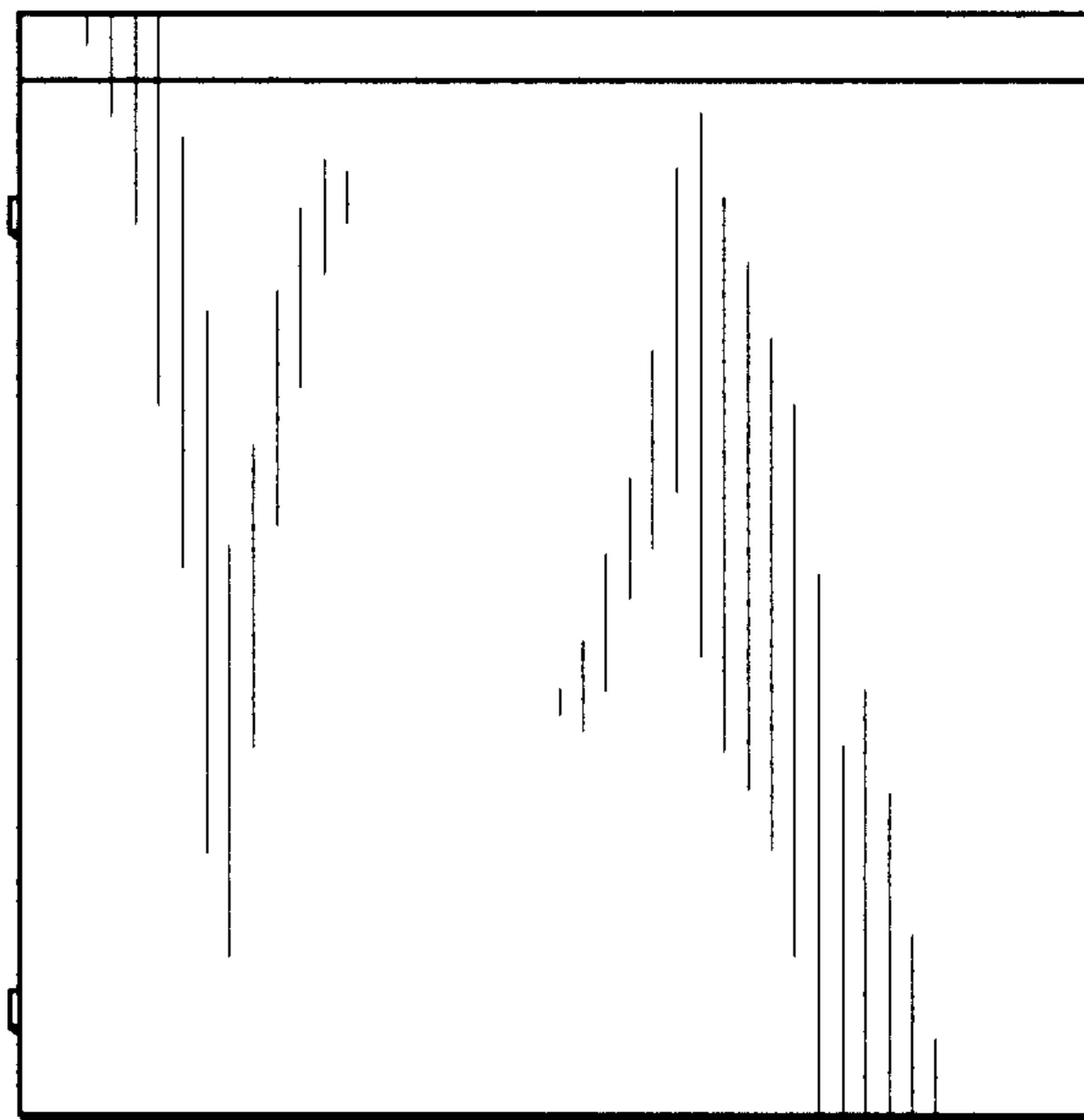


FIG. 5

