

US00D549990S

(12) **United States Design Patent**  
**Hsu**

(10) **Patent No.:** **US D549,990 S**

(45) **Date of Patent:** **\*\* Sep. 4, 2007**

(54) **PLASTIC DISPLAY FOR SUNGLASSES AND SUNGLASS CASES**

(76) Inventor: **Wen Yi Hsu**, 5198 Paddock Pl., Alta Loma, CA (US) 91737

(\*\*) Term: **14 Years**

(21) Appl. No.: **29/231,230**

(22) Filed: **Jun. 3, 2005**

(51) **LOC (8) Cl.** ..... **06-04**

(52) **U.S. Cl.** ..... **D6/466**

(58) **Field of Classification Search** ..... D6/449, D6/466, 467, 470, 471, 472, 474, 476, 518, D6/523; 211/13.1, 70.1, 85.1, 85.17, 85.26; D9/415, 418, 430, 433; D3/219, 265; 206/5, 206/6; 217/58; 229/161.2, 162.5, 162.7  
See application file for complete search history.

(56) **References Cited**

**U.S. PATENT DOCUMENTS**

- 1,640,870 A \* 8/1927 Asplund ..... 217/58
- 3,870,221 A \* 3/1975 Zeitter ..... 229/162.7

- D280,477 S \* 9/1985 Petrick, V ..... D6/472
- D292,859 S \* 11/1987 Neumann ..... D6/518
- D434,582 S \* 12/2000 Heiny et al. .... D6/467
- D482,554 S \* 11/2003 Arena ..... D6/523
- D494,228 S \* 8/2004 Lane ..... D21/415
- D509,382 S \* 9/2005 Raile ..... D6/474

\* cited by examiner

*Primary Examiner*—Robert M. Spear  
*Assistant Examiner*—Mary Ann Calabrese  
(74) *Attorney, Agent, or Firm*—Eric Hanscom

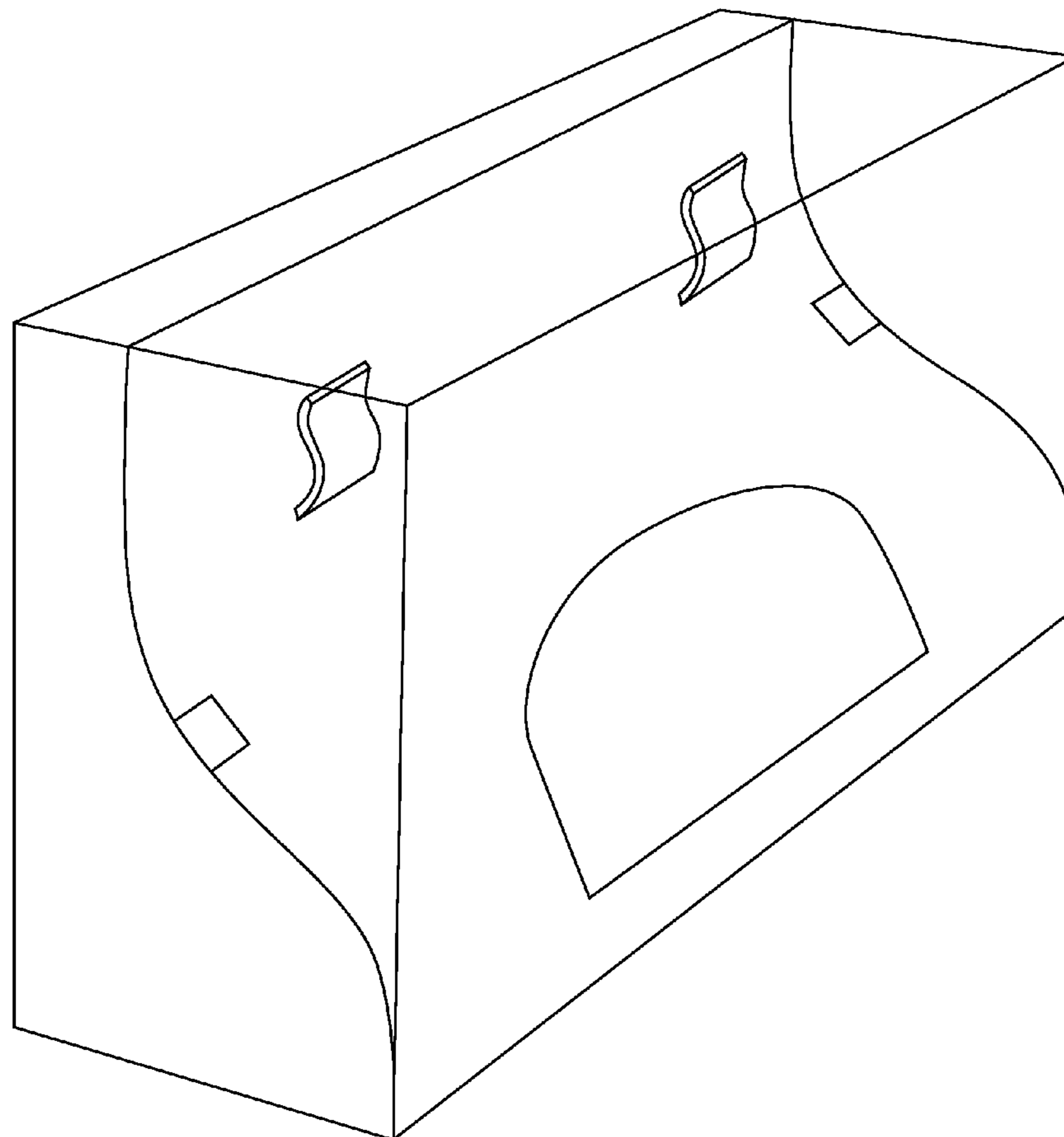
(57) **CLAIM**

The ornamental design for a plastic display for sunglasses and sunglass cases, as shown.

**DESCRIPTION**

FIG. 1 is a perspective view of the plastic display for sunglasses and sunglass cases showing my new design; FIG. 2 is a left-side view thereof; and, FIG. 3 is a back view thereof.

**1 Claim, 3 Drawing Sheets**



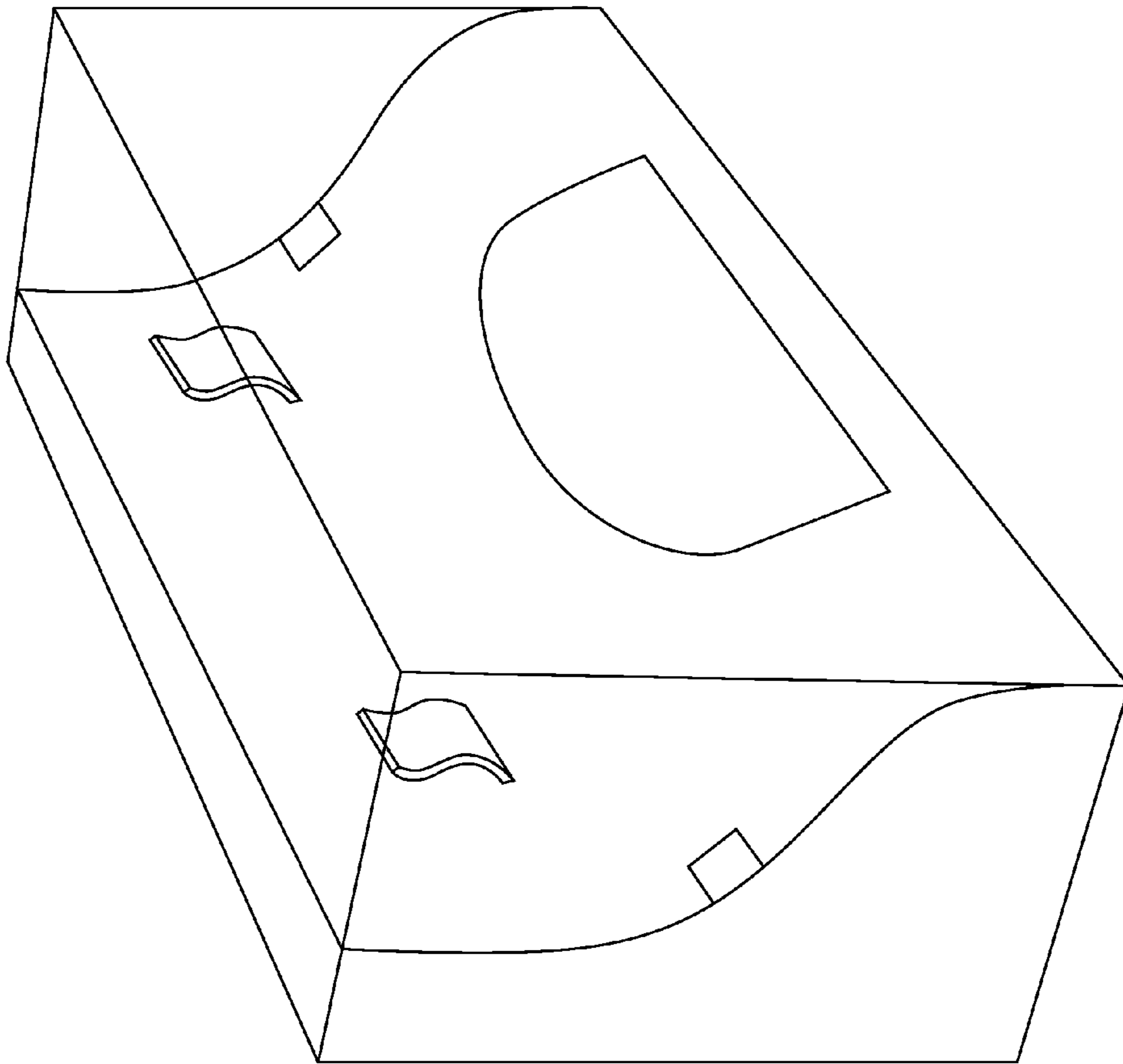


FIG. 1

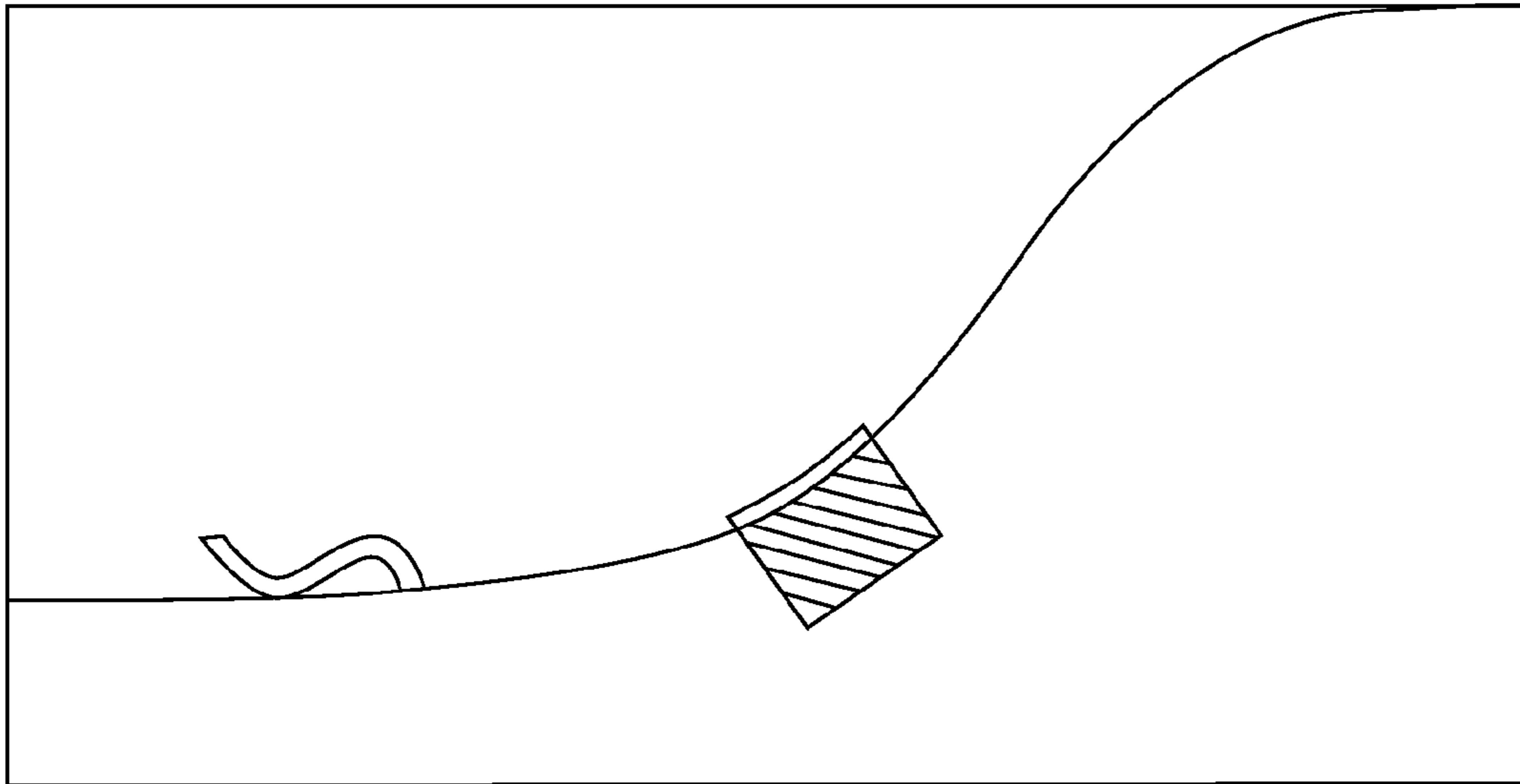


FIG. 2

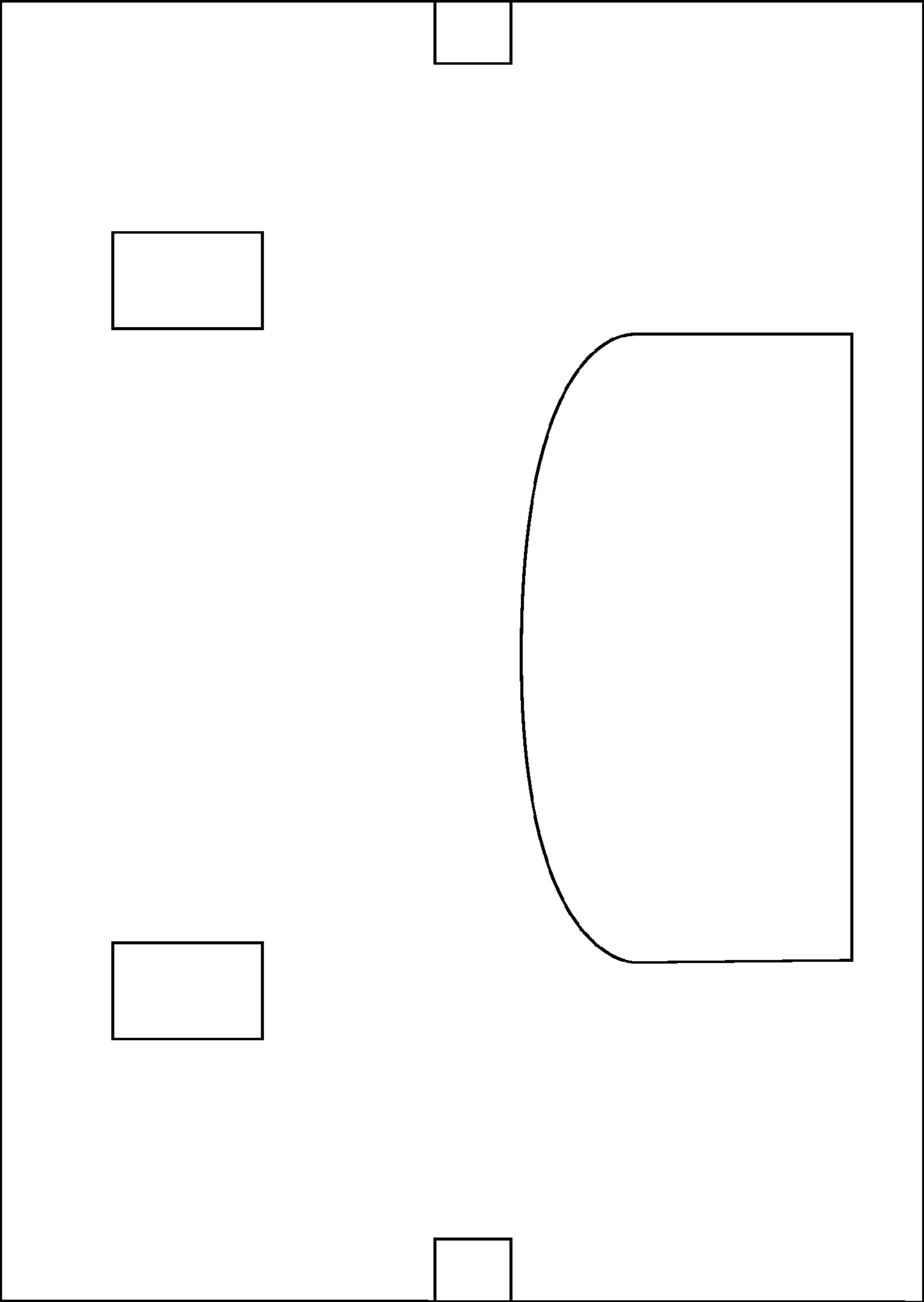


FIG. 3