

US00D549985S

(12) **United States Design Patent**
Carroll

(10) **Patent No.:** **US D549,985 S**

(45) **Date of Patent:** **** Sep. 4, 2007**

(54) **SUPPORT FOR AN ARTIFICIAL PLANT,
TREE, OR THE LIKE**

(75) Inventor: **Eric Carroll**, Wichita, KS (US)

(73) Assignee: **Desert Steel Corporation**, Wichita, KS
(US)

(**) Term: **14 Years**

(21) Appl. No.: **29/247,952**

(22) Filed: **Jul. 21, 2006**

(51) **LOC (8) Cl.** **11-02**

(52) **U.S. Cl.** **D6/405; D6/455**

(58) **Field of Classification Search** D6/403–405,
D6/455, 468, 474, 509, 511; D7/561; D11/143–146,
D11/152–154; D26/9, 16, 19; D99/19, 23,
D99/27; 47/32.7, 33, 39, 41.01, 41.1, 41.11,
47/44–47, 65.5, 65.8, 66.5–66.7, 67, 69,
47/71

See application file for complete search history.

(56) **References Cited**

U.S. PATENT DOCUMENTS

D24,853	S	*	11/1895	Santee	D6/465
811,712	A	*	2/1906	Graefe	47/39
1,485,852	A	*	3/1924	Jarvis	47/39
3,479,990	A	*	11/1969	Crow	D6/474
D279,444	S	*	7/1985	McDonald	D6/511
D346,920	S	*	5/1994	Vidal	D6/511
D357,160	S	*	4/1995	Fritze	D6/474
D413,046	S	*	8/1999	Fritze	D7/610

D447,889	S	*	9/2001	Finlay	D6/474
D461,026	S	*	7/2002	Mason	D6/474
7,024,818	B2	*	4/2006	Maniscalco et al.	47/65.6
2006/0096170	A1	*	5/2006	Wright	47/41.01
2007/0089361	A1	*	4/2007	Weder	47/41.01

* cited by examiner

Primary Examiner—Robert M. Spear

Assistant Examiner—Garth Rademaker

(74) *Attorney, Agent, or Firm*—Alston & Bird LLP

(57) **CLAIM**

The ornamental design for support for an artificial plant, tree, or the like, as shown and described.

DESCRIPTION

FIG. 1 is a perspective view of a support for an artificial plant, tree, or the like showing my new design;

FIG. 2 is a front elevation view thereof, the rear, right, and left elevation views being identical thereto;

FIG. 3 is a top plan view thereof;

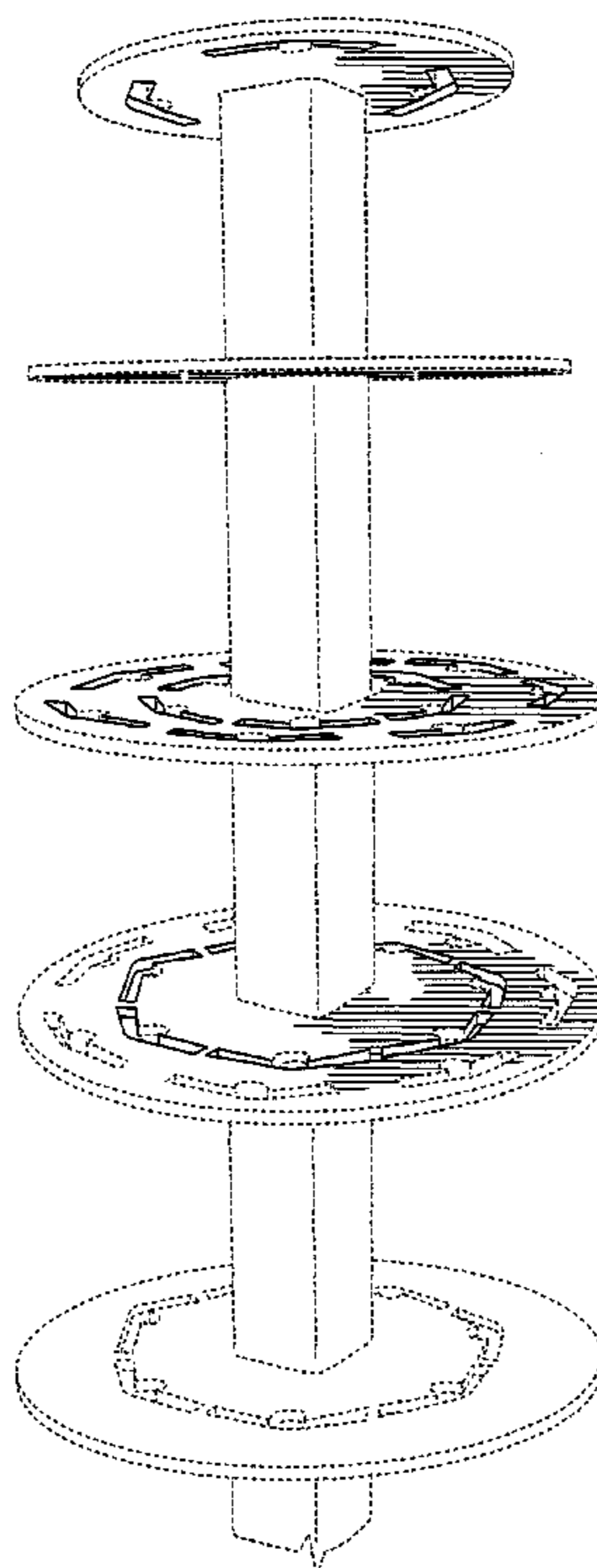
FIG. 4 is a cross-section view thereof, taken along line 4—4 shown in FIG. 2;

FIG. 5 is a cross-section view thereof, taken along line 5—5 shown in FIG. 2; and,

FIG. 6 is a cross-section view thereof, taken along line 6—6 shown in FIG. 2.

The broken lines depict environmental subject matter only and form no part of the claimed design.

1 Claim, 5 Drawing Sheets



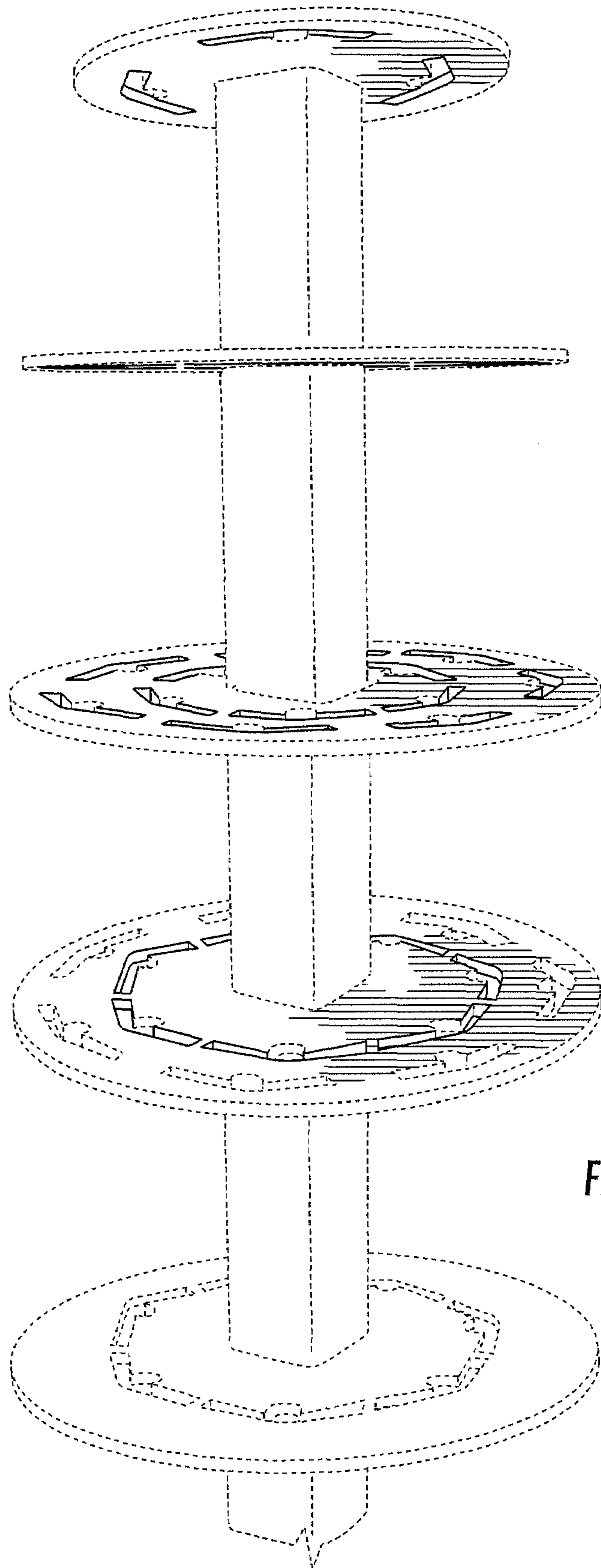


FIG. 1

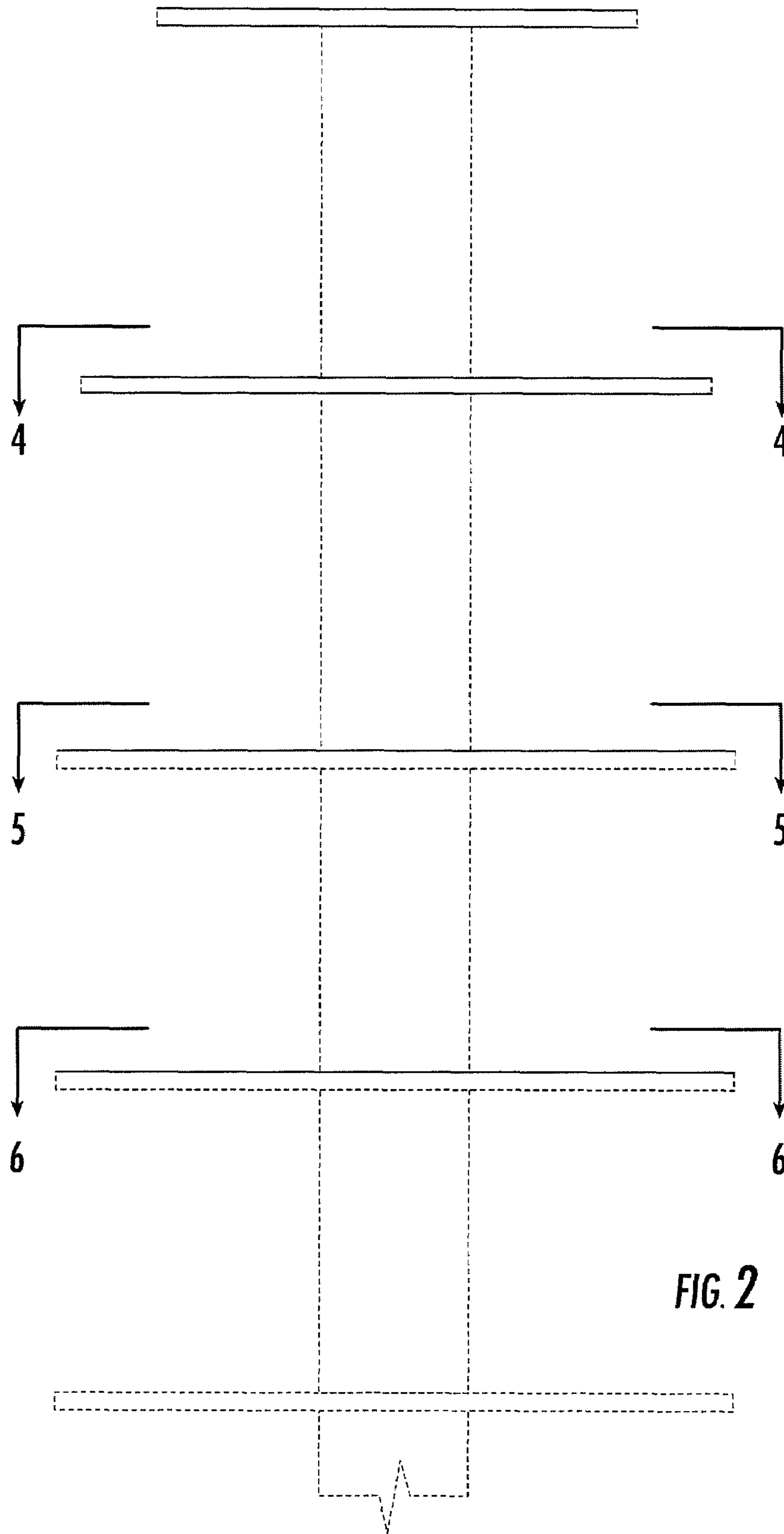


FIG. 2

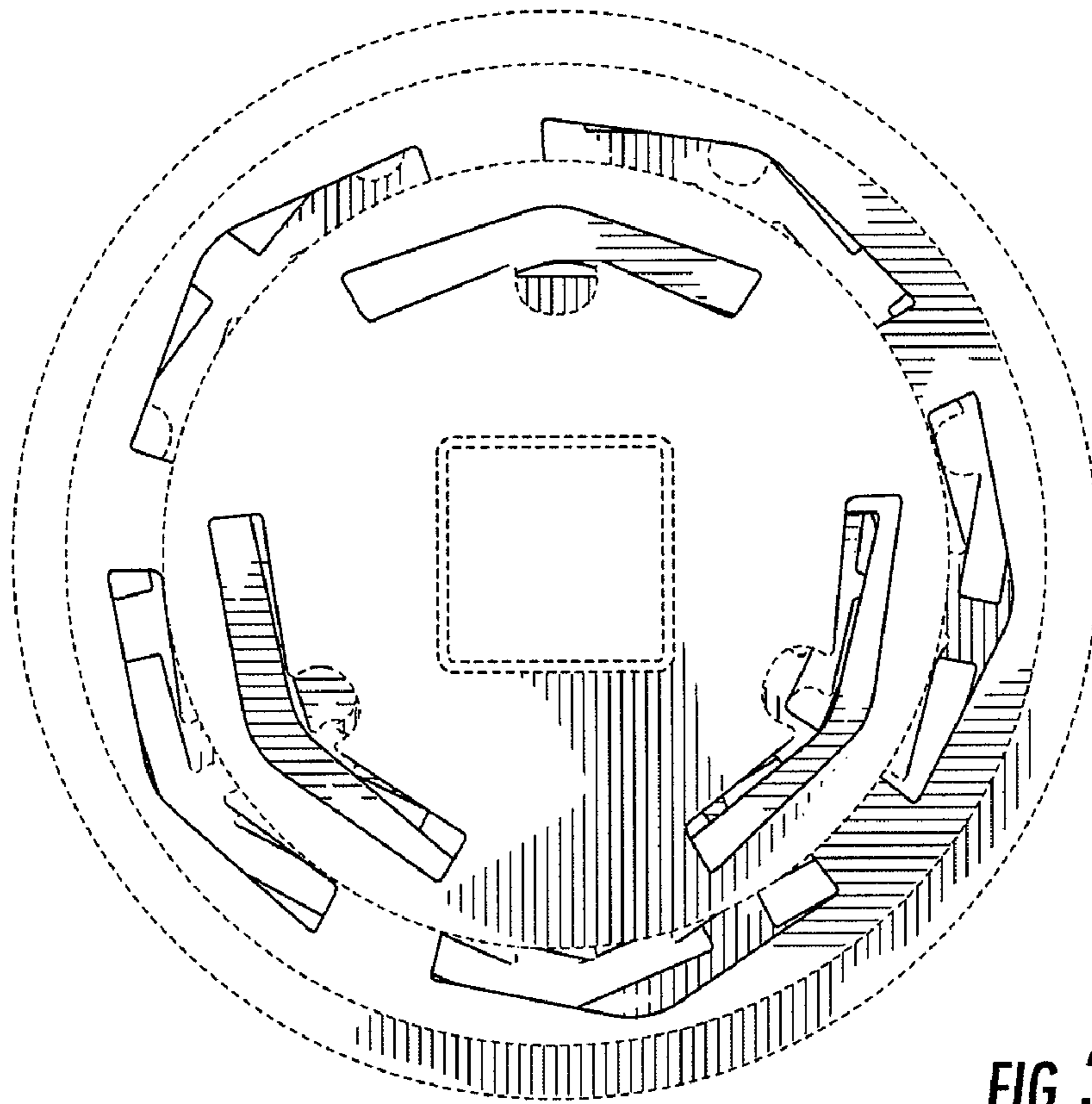


FIG. 3

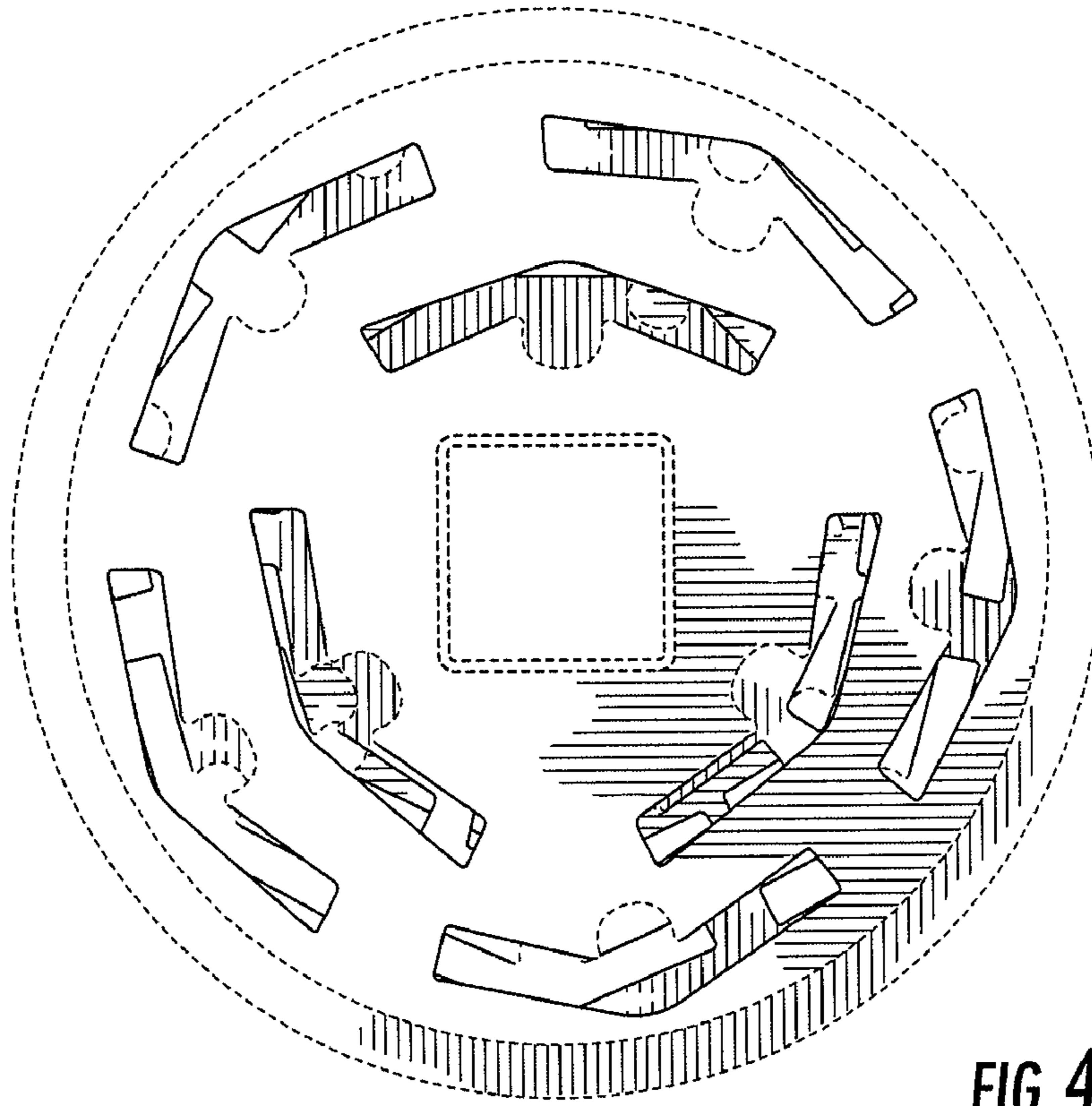


FIG. 4

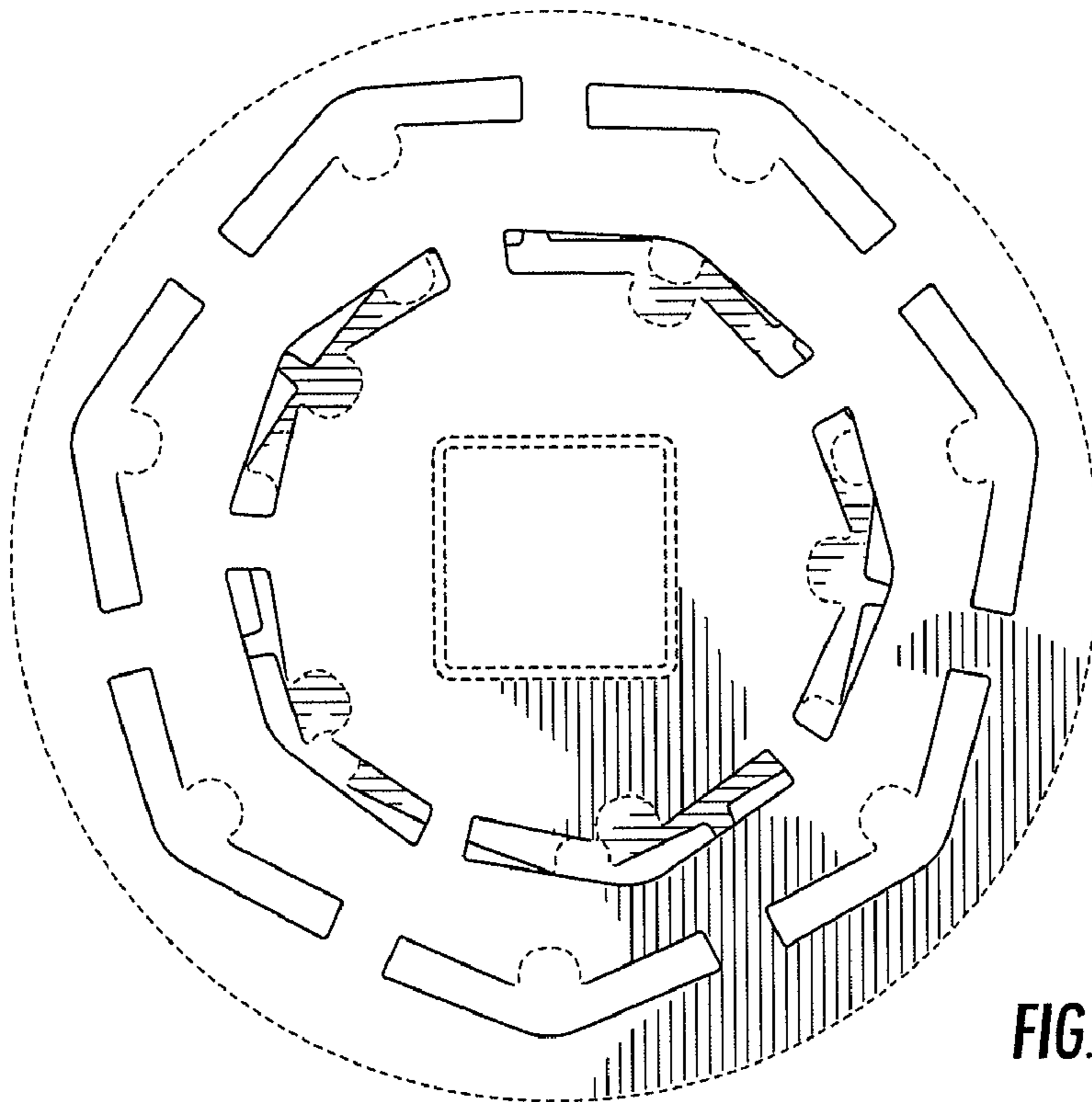


FIG. 5

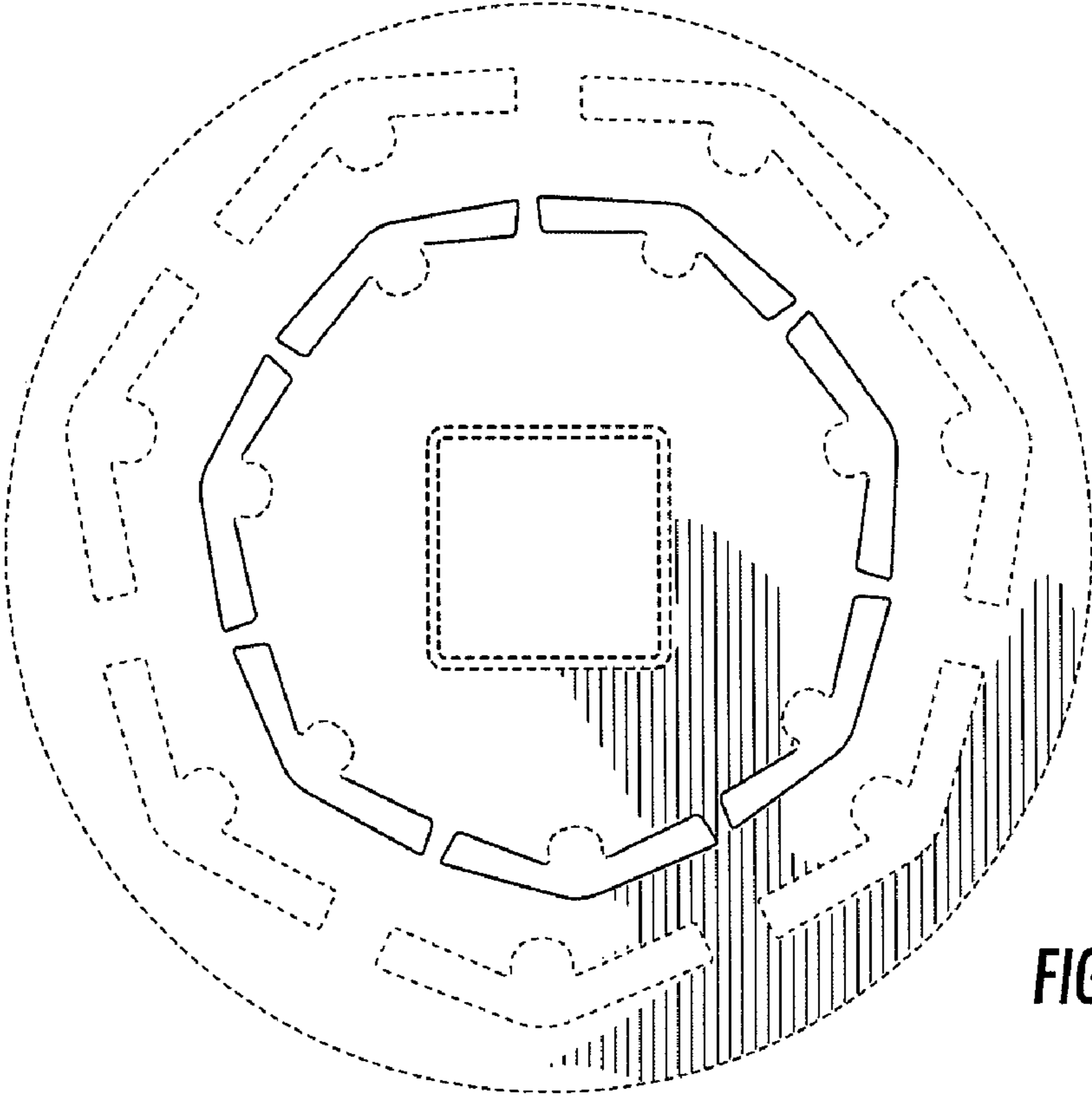


FIG. 6