



US00D549983S

(12) **United States Design Patent** (10) **Patent No.:** **US D549,983 S**
Olarte (45) **Date of Patent:** **** Sep. 4, 2007**

(54) **PEW AND BENCH WITH PIVOTING SEAT**

(75) Inventor: **Alvaro Mauricio Olarte**, Aventura, FL (US)

(73) Assignee: **Series International LLC**, Miami, FL (US)

(**) Term: **14 Years**

(21) Appl. No.: **29/275,305**

(22) Filed: **Dec. 20, 2006**

Related U.S. Application Data

(63) Continuation of application No. 10/991,847, filed on Nov. 18, 2004.

(51) **LOC (8) Cl.** **06-01**

(52) **U.S. Cl.** **D6/381**

(58) **Field of Classification Search** D6/334-336, D6/361, 371, 381, 500-502, 492; 297/445.1, 297/446.1, 232, 248; 5/12.1

See application file for complete search history.

(56) **References Cited**

U.S. PATENT DOCUMENTS

3,300,246 A	1/1967	Bouche	297/232
D221,642 S	8/1971	Bayes	430/325
3,762,765 A	10/1973	Piretti	297/162
3,796,459 A	3/1974	Weber	297/60
D260,058 S *	8/1981	Ponzellini	D6/336
4,850,159 A	7/1989	Conner	52/9

4,989,915 A	2/1991	Hansal	297/378
5,470,128 A	11/1995	Kerkham	297/232
D396,967 S *	8/1998	Yamazaki	D6/381
5,845,964 A	12/1998	Phoon	297/162
5,890,761 A	4/1999	Miller	297/232
6,095,603 A	8/2000	Hock	297/232
6,296,315 B1	10/2001	Jensen	297/452
6,874,850 B2 *	4/2005	Berkowicz	297/248

* cited by examiner

Primary Examiner—Sandra Snapp

(74) *Attorney, Agent, or Firm*—St. Onge Steward Johnston & Reens LLC

(57) **CLAIM**

The ornamental design for pew and bench with pivoting seat, as shown and described in the drawings.

DESCRIPTION

FIG. 1 is a front perspective view of a pew and bench with pivoting seat in accordance with the new design;

FIG. 2 is a front elevational view thereof;

FIG. 3 is a top plan view thereof;

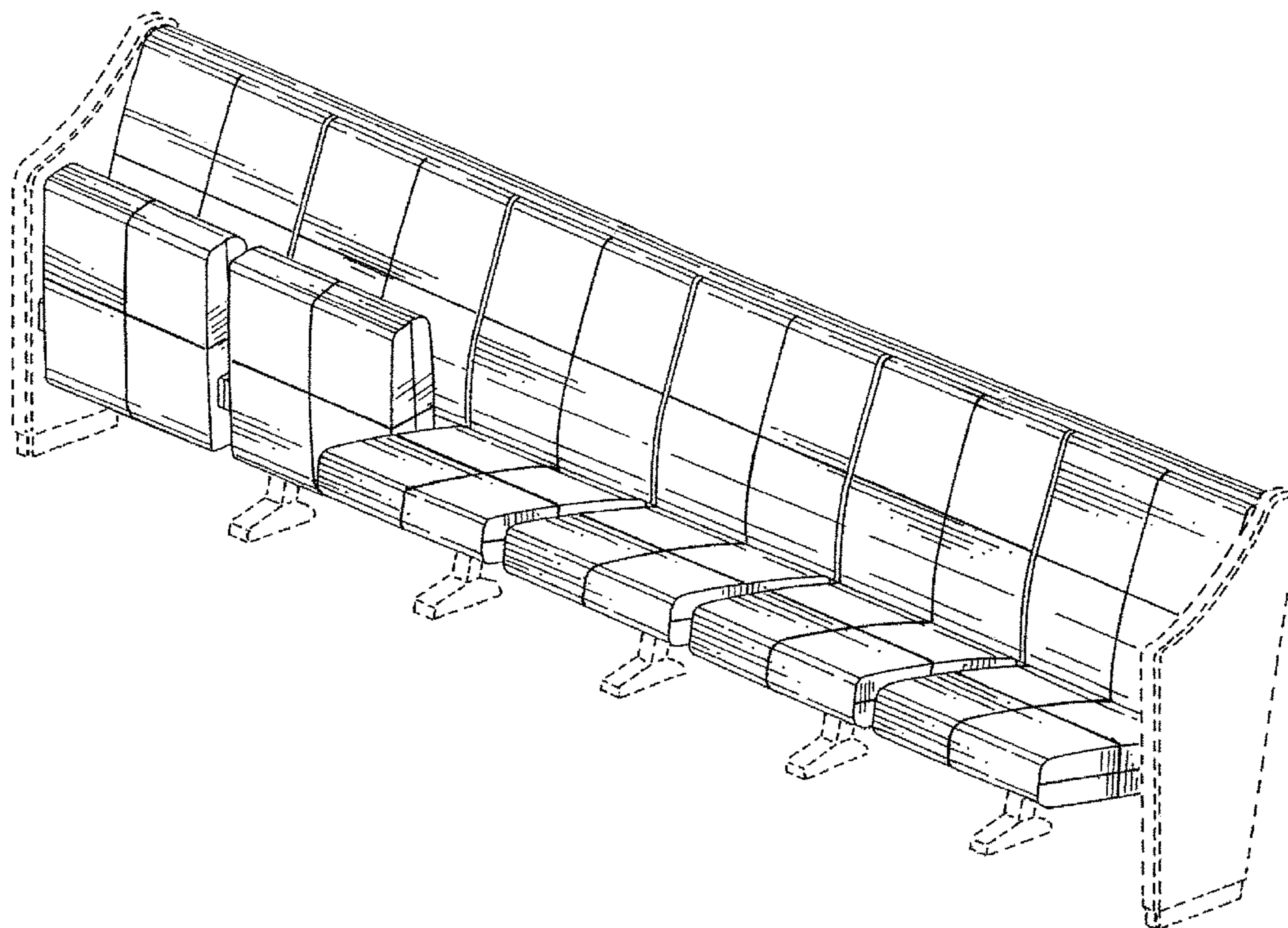
FIG. 4 is a rear elevational view thereof;

FIG. 5 is a left side elevational view thereof; and,

FIG. 6 is a right side elevational view thereof.

The broken lines shown in the drawings are for illustrative purposes only and form no part of the claimed design.

1 Claim, 3 Drawing Sheets



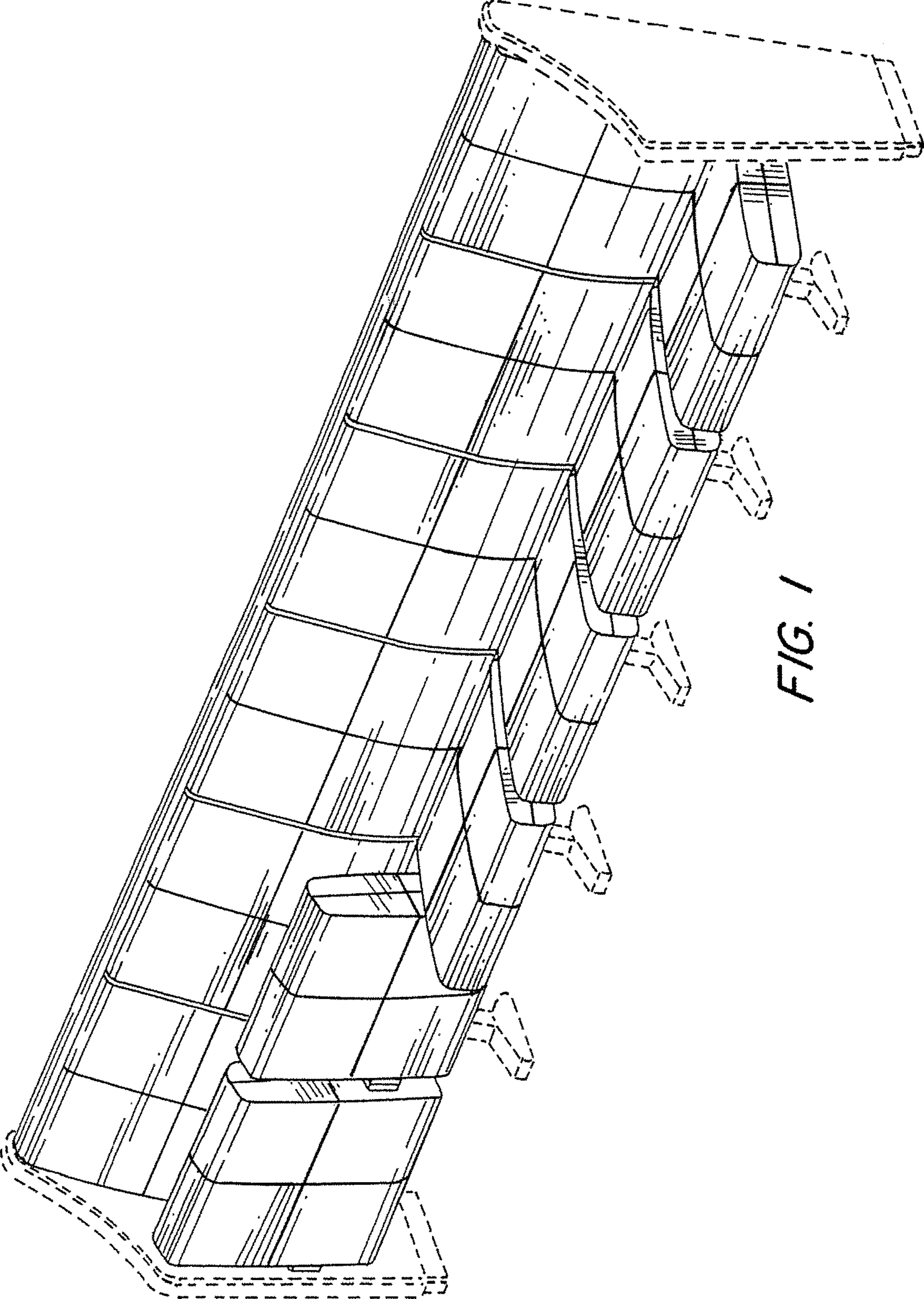
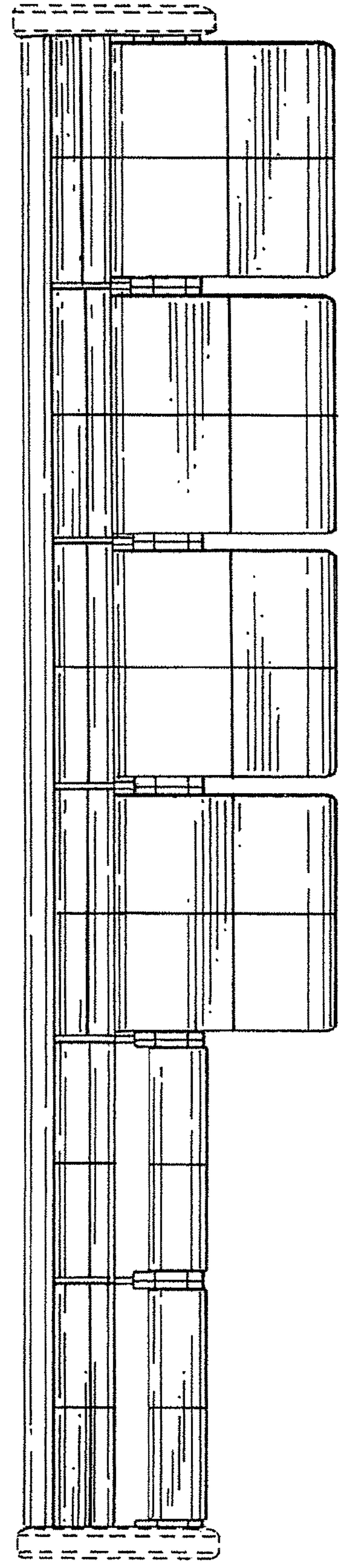
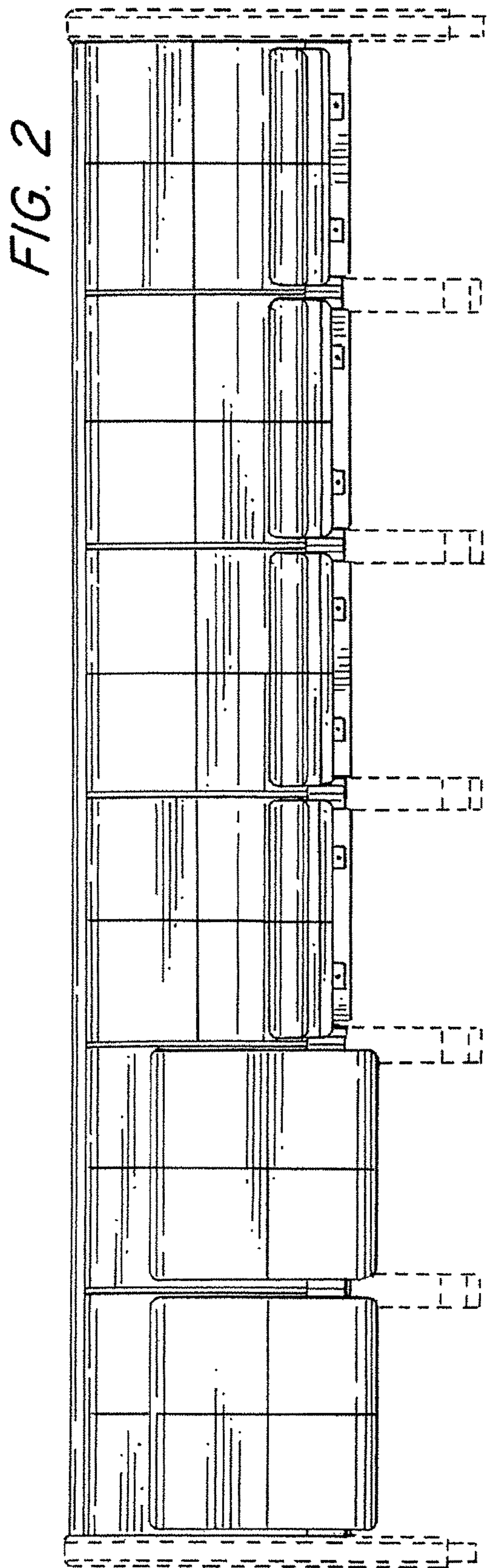


FIG. 1



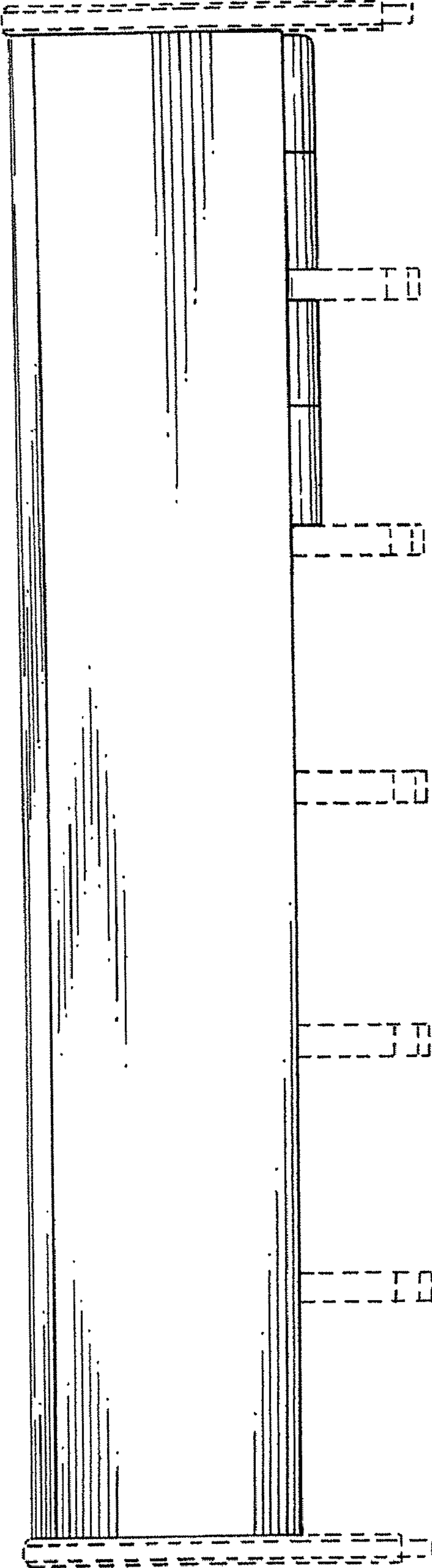


FIG. 4

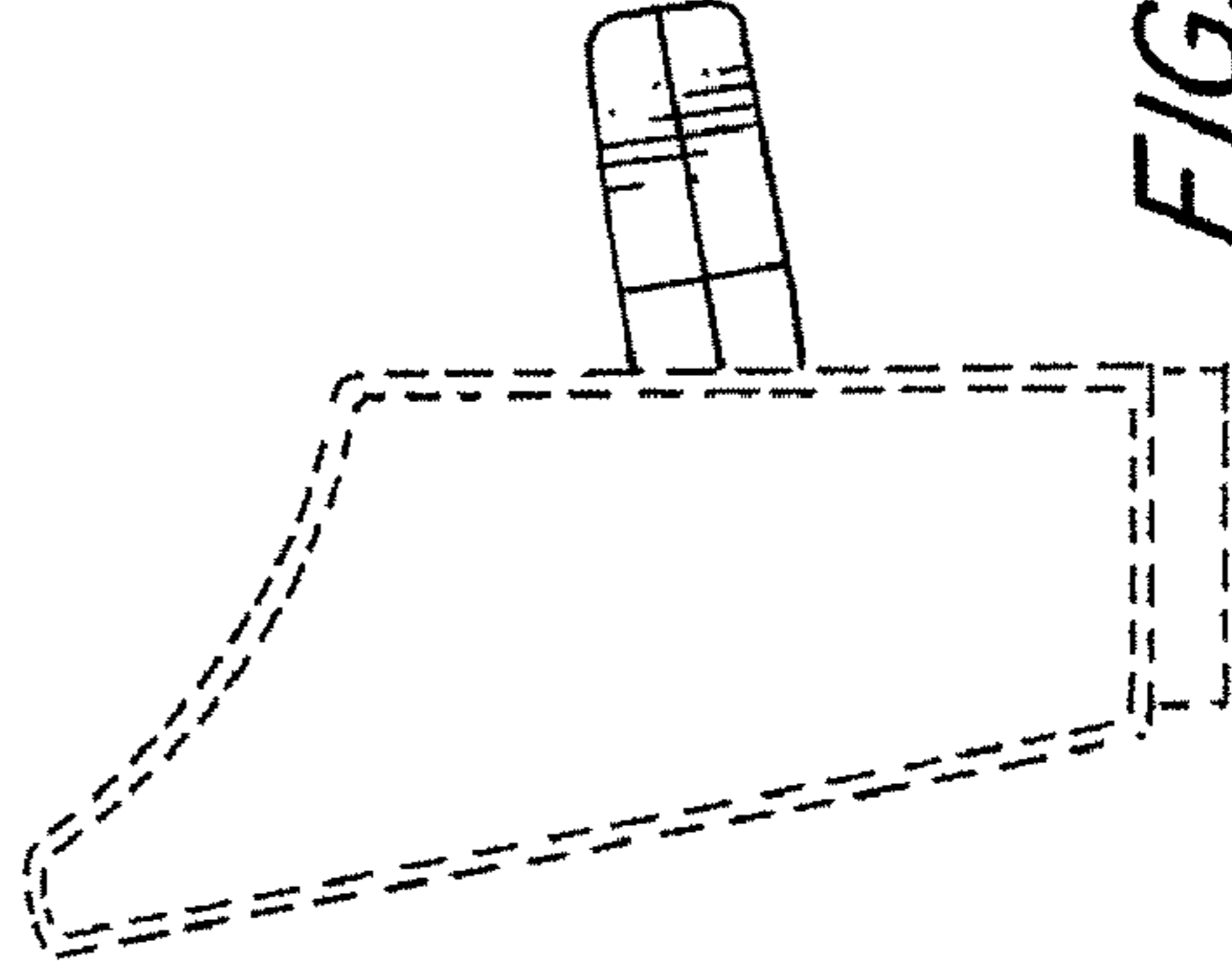


FIG. 5

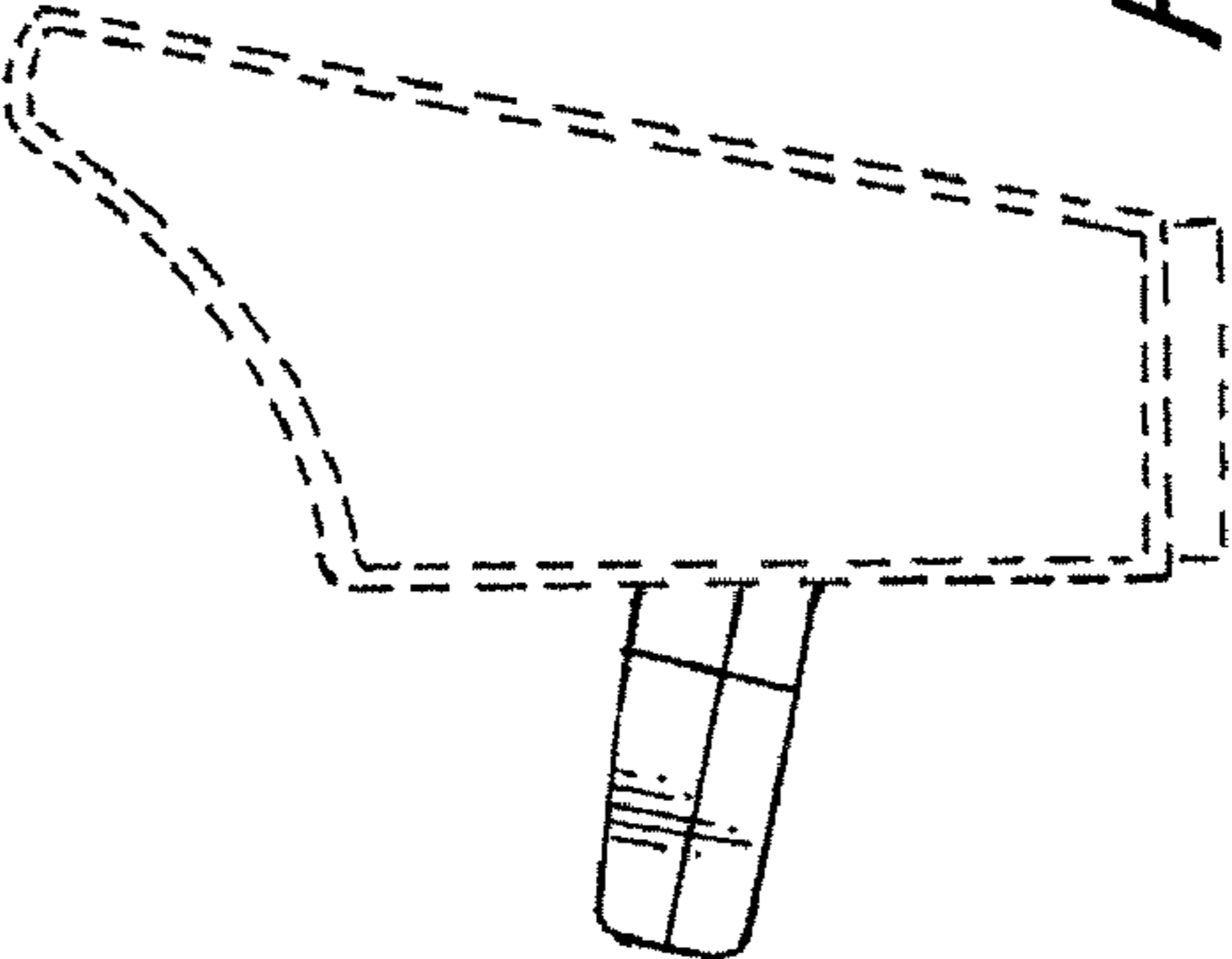


FIG. 6