



US00D549978S

(12) **United States Design Patent** (10) **Patent No.:** **US D549,978 S**
Hunziker (45) **Date of Patent:** **** Sep. 4, 2007**

(54) **SEAT**

(74) *Attorney, Agent, or Firm*—Gardere Wynne Sewell LLP

(75) **Inventor:** **Terrence J. Hunziker**, Seattle, WA
(US)

(57) **CLAIM**

The ornamental design for a seat, as shown and described.

(73) **Assignee:** **David Sutherland, Inc.**, Dallas, TX
(US)

(**) **Term:** **14 Years**

DESCRIPTION

(21) **Appl. No.:** **29/241,024**

FIG. 1 is a perspective view of a seat shown in the form of a seat in accordance with my invention;

(22) **Filed:** **Oct. 21, 2005**

FIG. 2 is a front elevation view of the seat shown in FIG. 1;

(51) **LOC (8) Cl.** **06-01**

FIG. 3 is a rear elevation view of the seat shown in FIG. 1;

(52) **U.S. Cl.** **D6/370**

FIG. 4 is a right side elevation view of the seat shown in FIG. 1;

(58) **Field of Classification Search** D6/334–335,
D6/370, 371–376, 379–381, 369, 500, 501–502;
297/232, 248, 452.63, 446.1, 452.18, 452.19,
297/411.2, 448.1, 452.64

FIG. 5 is a left side elevation view of the seat shown in FIG. 1;

See application file for complete search history.

FIG. 6 is a top plan view of the seat shown in FIG. 1;

FIG. 7 is a bottom plan view of the seat shown in FIG. 1;

(56) **References Cited**

U.S. PATENT DOCUMENTS

FIG. 8 is a perspective view of the seat shown in FIG. 1 with cushions disposed thereon;

D203,109 S	12/1965	Bareck	
D216,115 S	11/1969	Suzuki	
D222,453 S	10/1971	Ziss	
D264,151 S *	5/1982	Sauls et al.	D6/370
D327,586 S *	7/1992	Skalka	D6/370
D328,197 S *	7/1992	Braxton, III	D6/347
D331,518 S	12/1992	Grosfillex	
D341,267 S *	11/1993	Caldwell	D7/381
D366,774 S	2/1996	Frinier	
D368,173 S *	3/1996	Kramer	D6/370
D369,692 S *	5/1996	Skalka	D6/370
D369,922 S	5/1996	Kirn et al.	
D370,570 S *	6/1996	Green et al.	D6/370
D381,827 S	8/1997	Tilley	

FIG. 9 is a perspective view of a seat shown in the form of a sofa in accordance with my invention;

FIG. 10 is a front elevation view of the seat shown in FIG. 9;

FIG. 11 is a rear elevation view of the seat shown in FIG. 9;

FIG. 12 is a right side elevation view of the seat shown in FIG. 9;

FIG. 13 is a left side elevation view of the seat shown in FIG. 9;

FIG. 14 is a top plan view of the seat shown in FIG. 9;

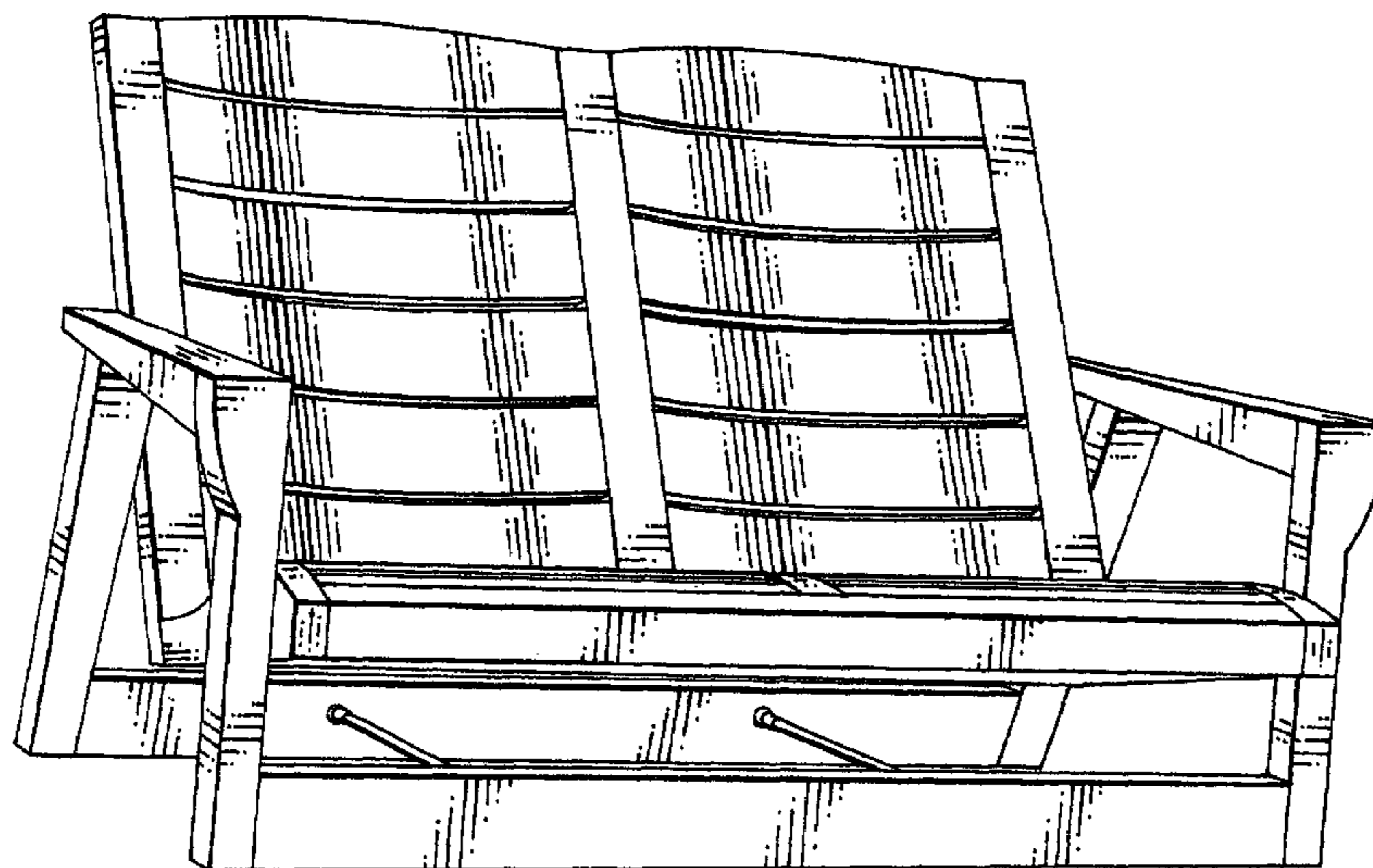
FIG. 15 is a bottom plan view of the seat shown in FIG. 9; and,

FIG. 16 is a perspective view of the seat shown in FIG. 9 with cushions disposed thereon.

(Continued)

Primary Examiner—Caron D. Veynar
Assistant Examiner—Abraham Bahta

1 Claim, 14 Drawing Sheets



US D549,978 S

Page 2

U.S. PATENT DOCUMENTS

D386,012 S	*	11/1997	Skalka	D6/370	D453,427 S	*	2/2002	Kane	D6/381
D419,323 S		1/2000	Muller		D454,439 S		3/2002	Hutton	
D425,718 S		5/2000	van Valderen		D459,904 S		7/2002	Hutton	
D440,420 S	*	4/2001	Goldstein	D6/370	D473,391 S	*	4/2003	Haney et al.	D6/370
D447,882 S	*	9/2001	Kane	D6/375	D513,369 S	*	1/2006	Cross	D6/370

* cited by examiner

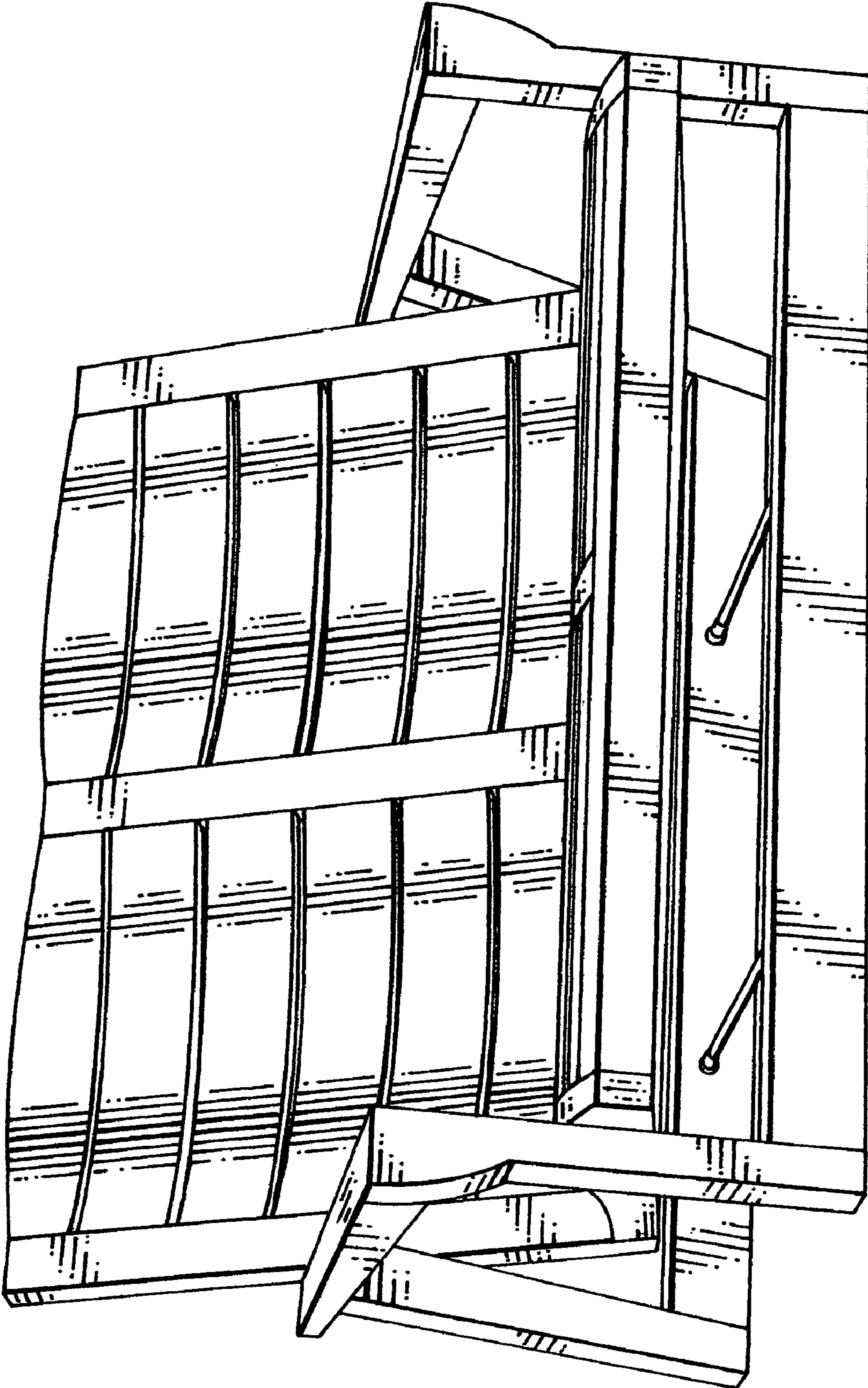


FIG. 1

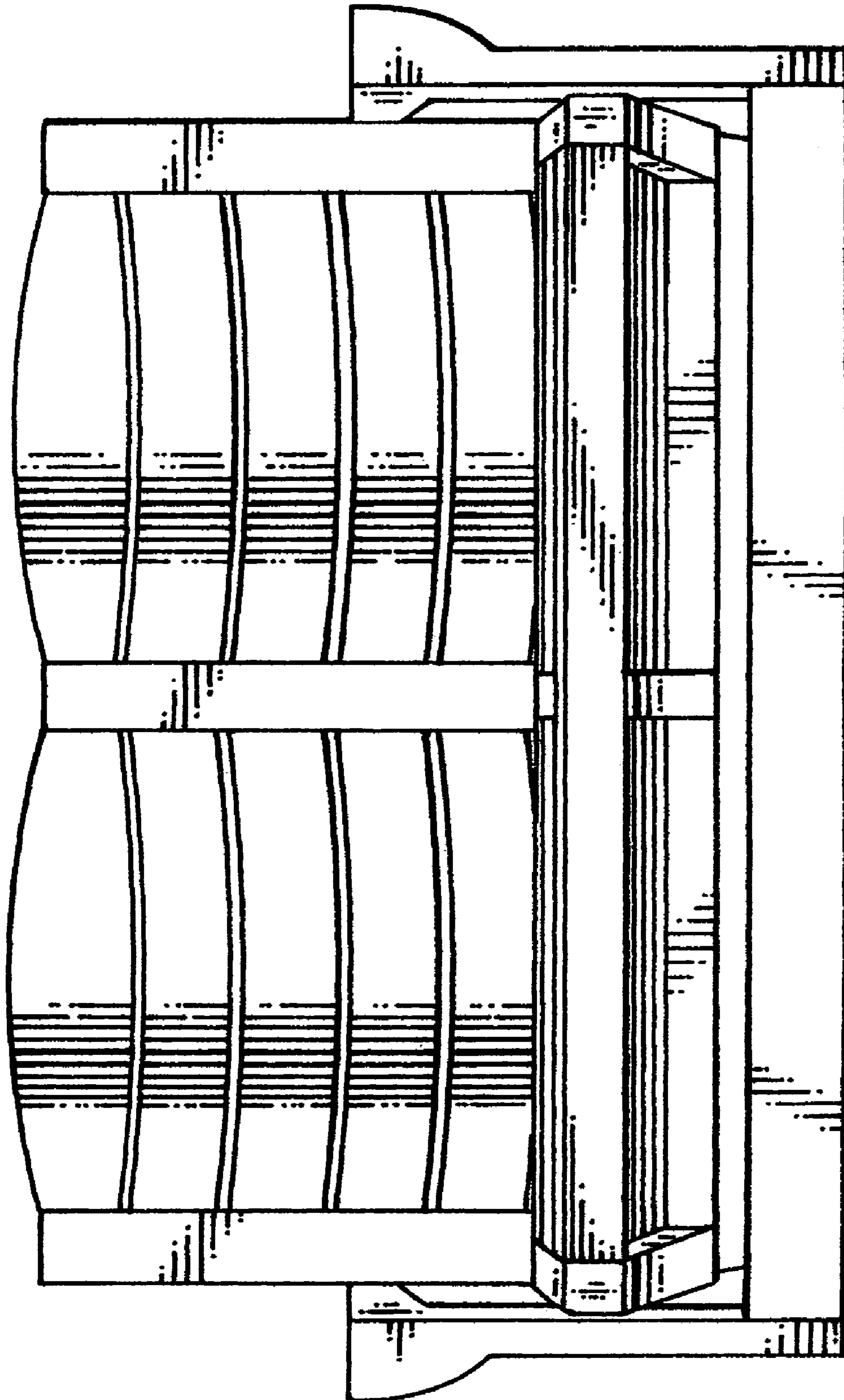


FIG. 2

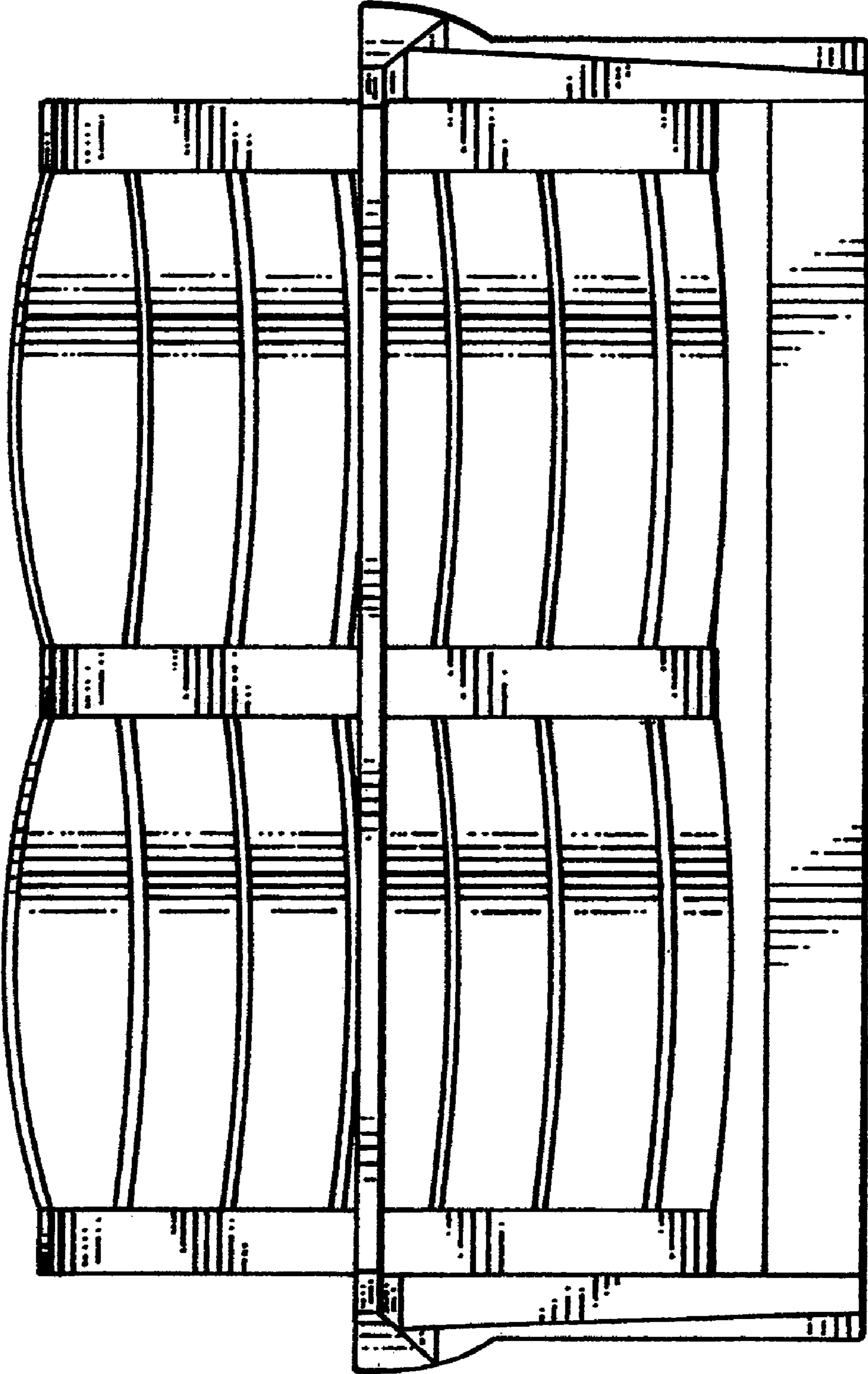


FIG. 3

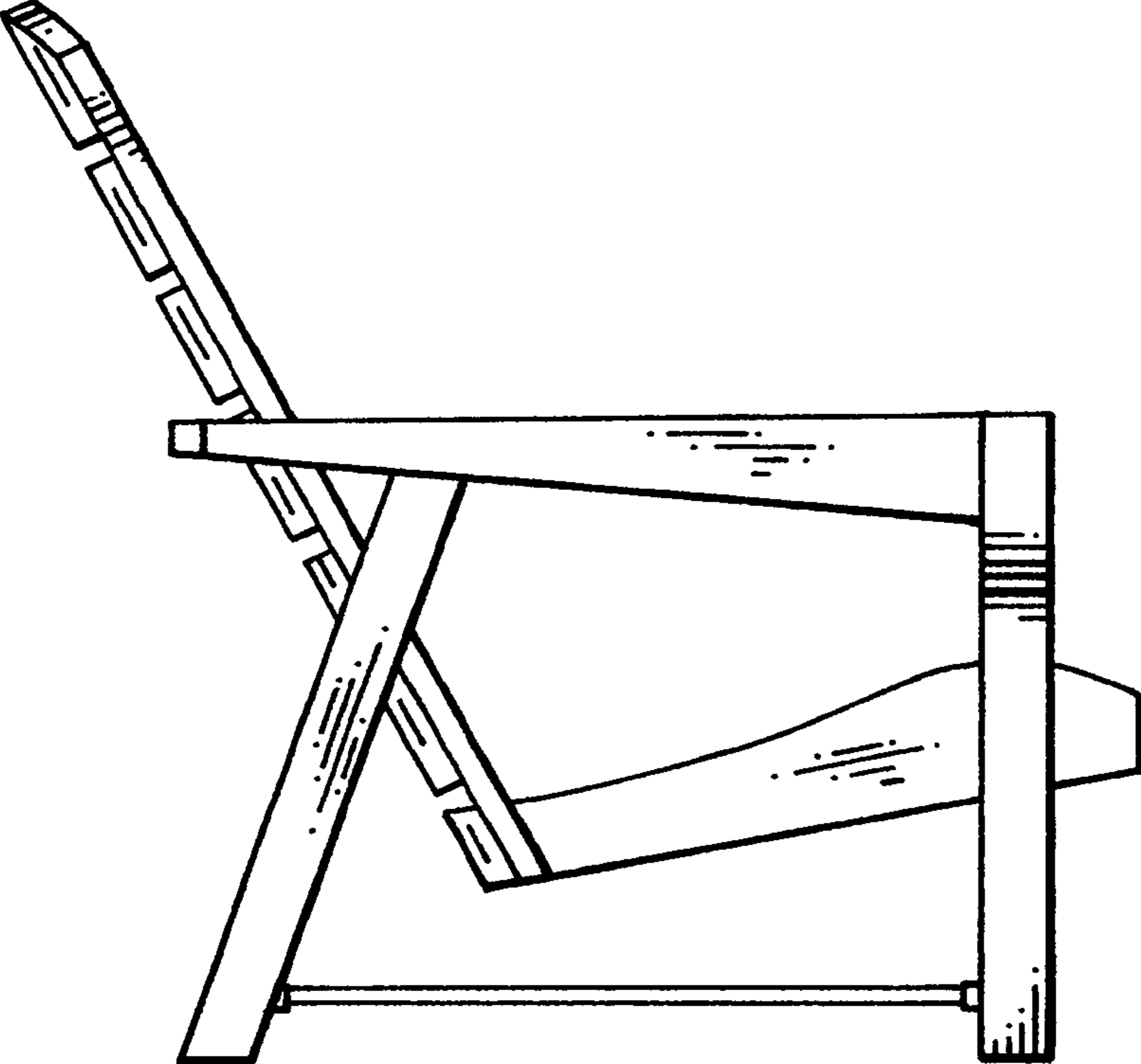


FIG. 4

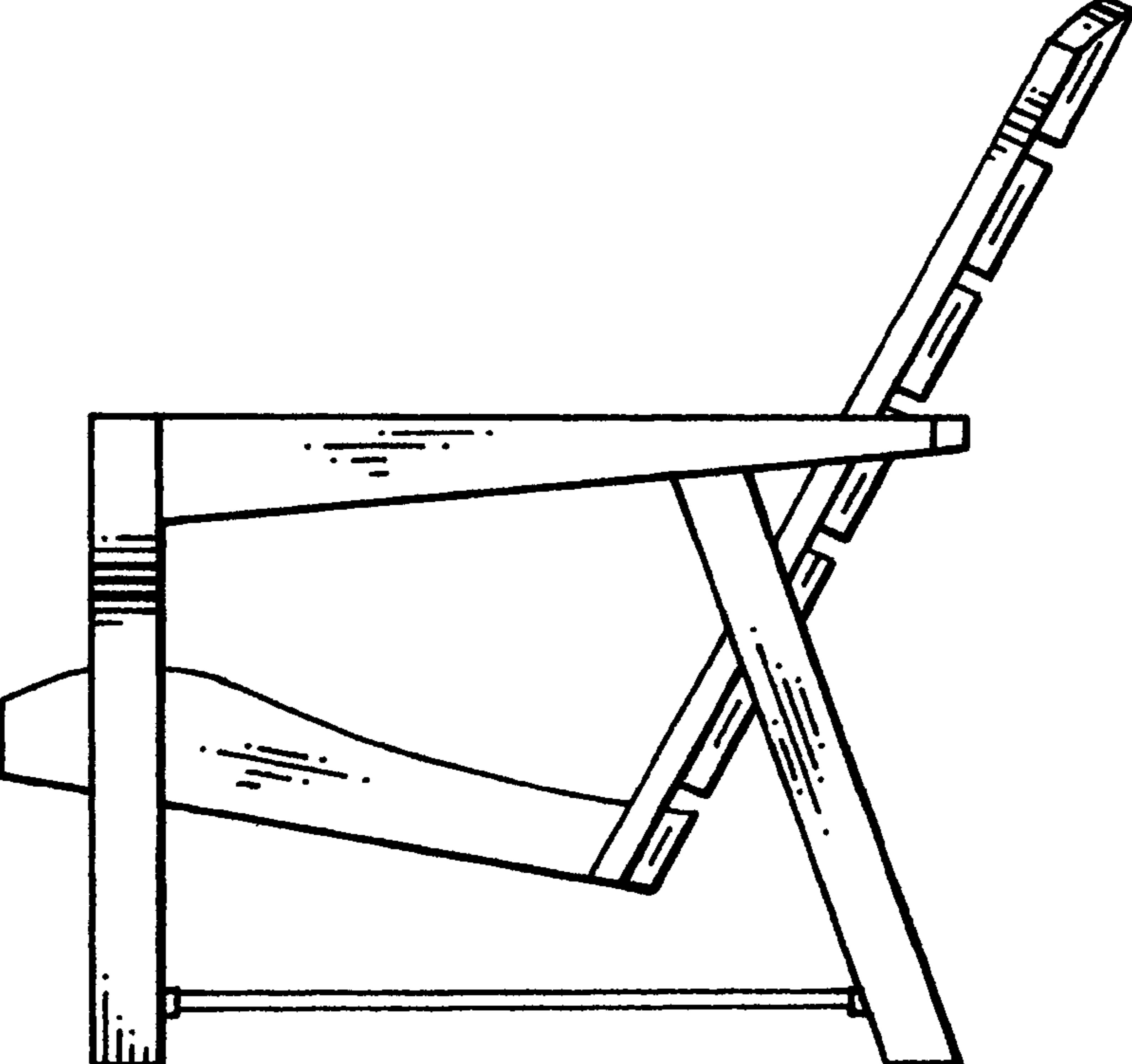


FIG. 5

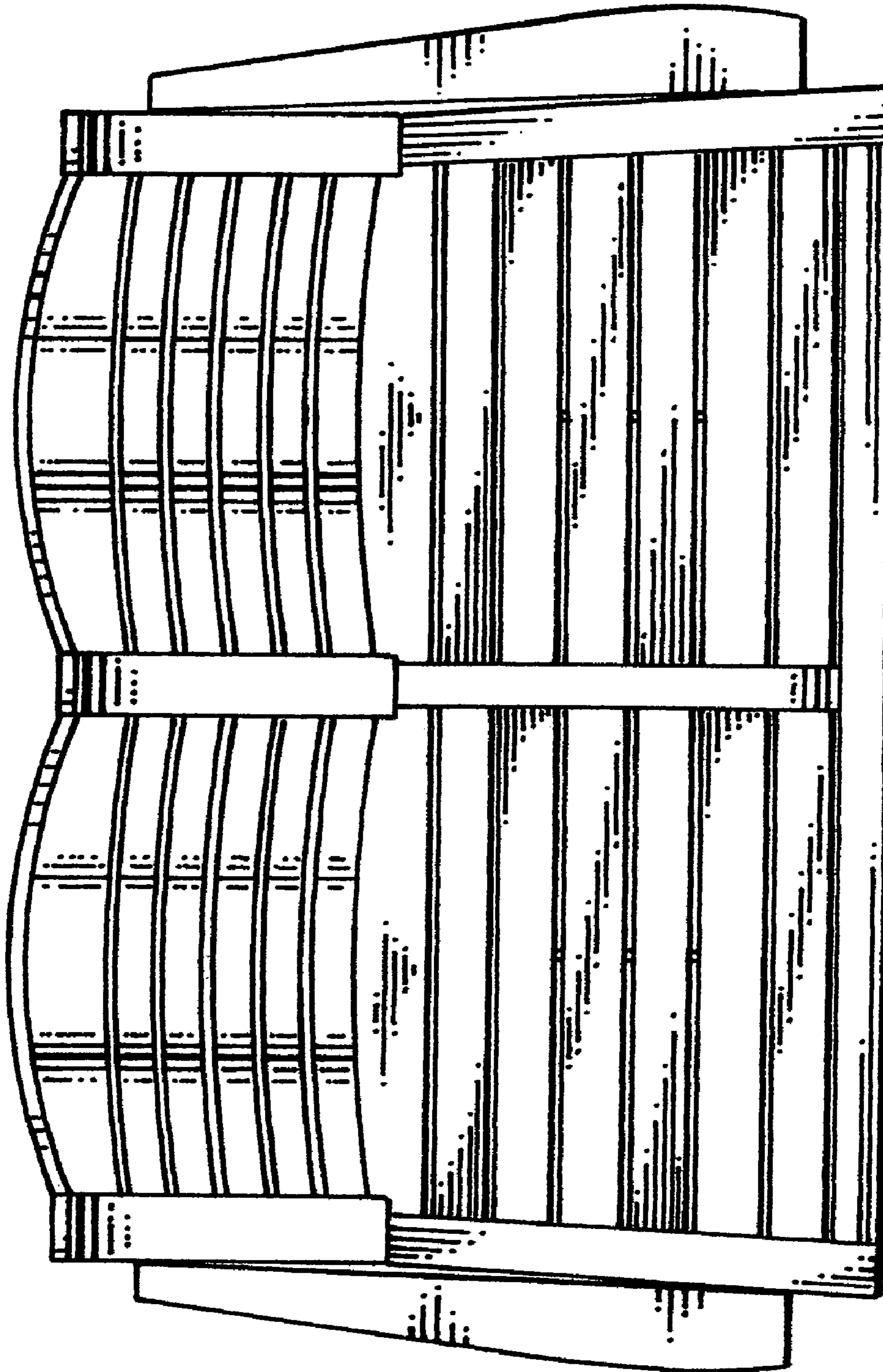


FIG. 6

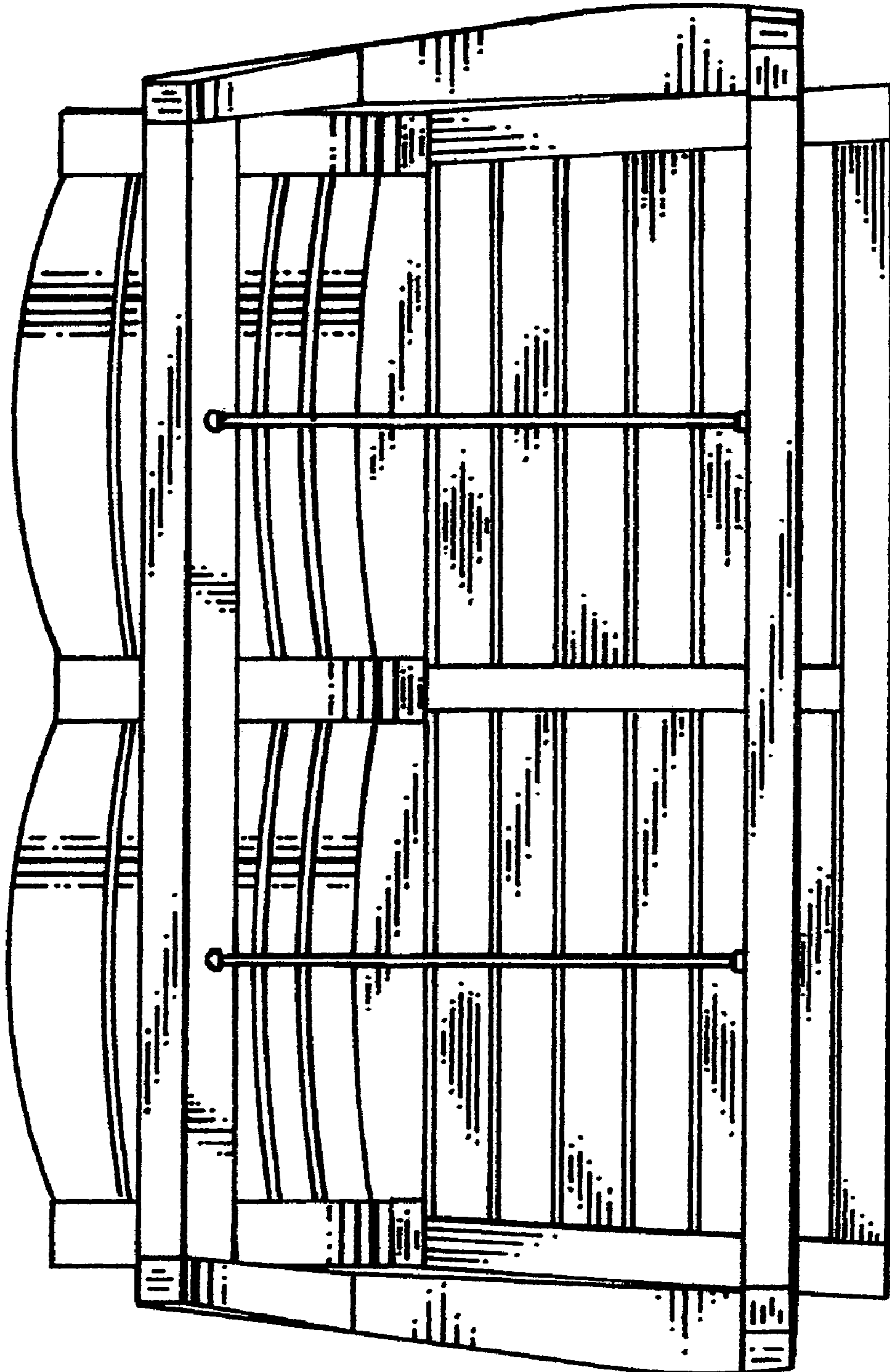


FIG. 7

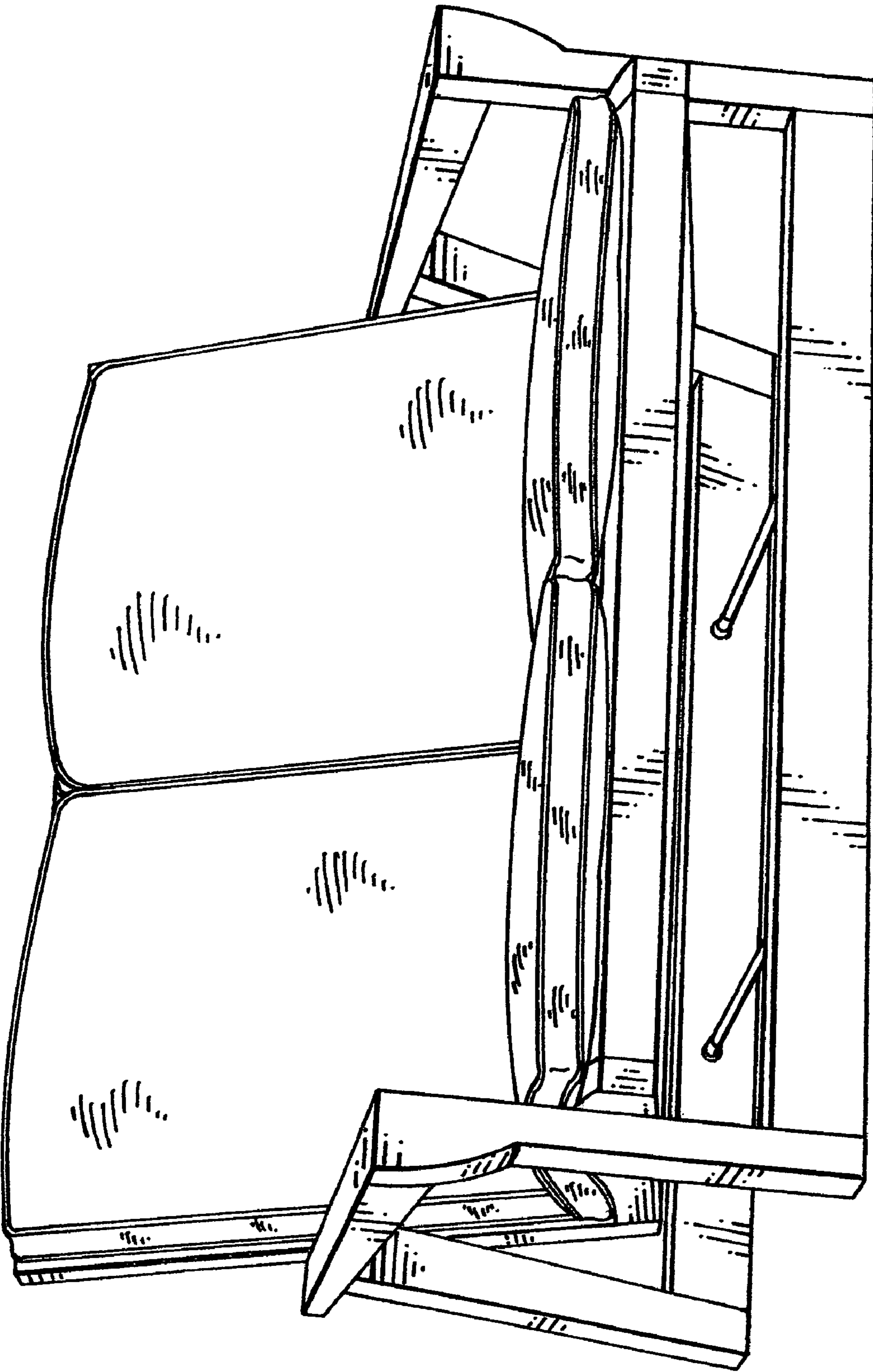


FIG. 8

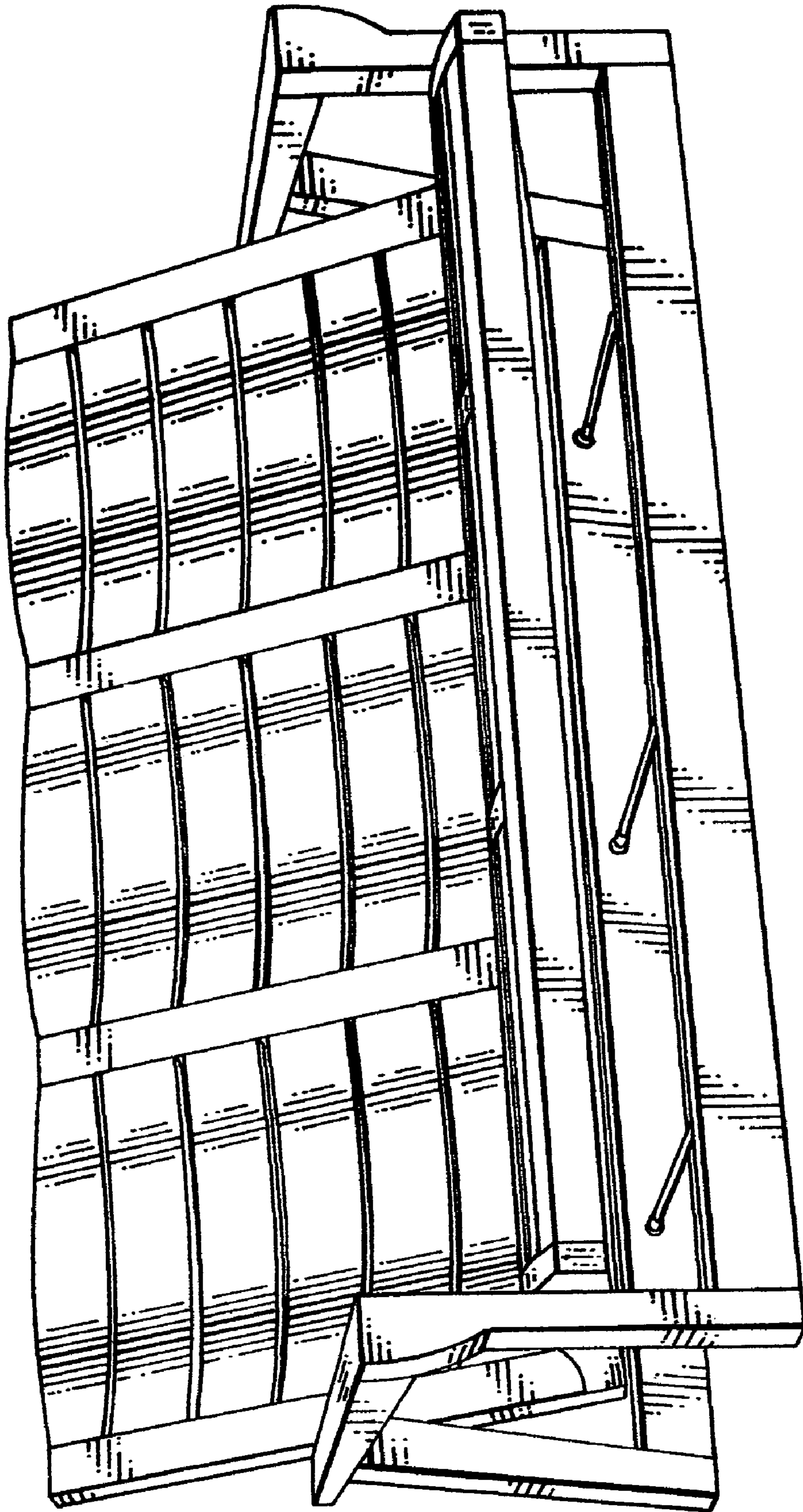


FIG. 9

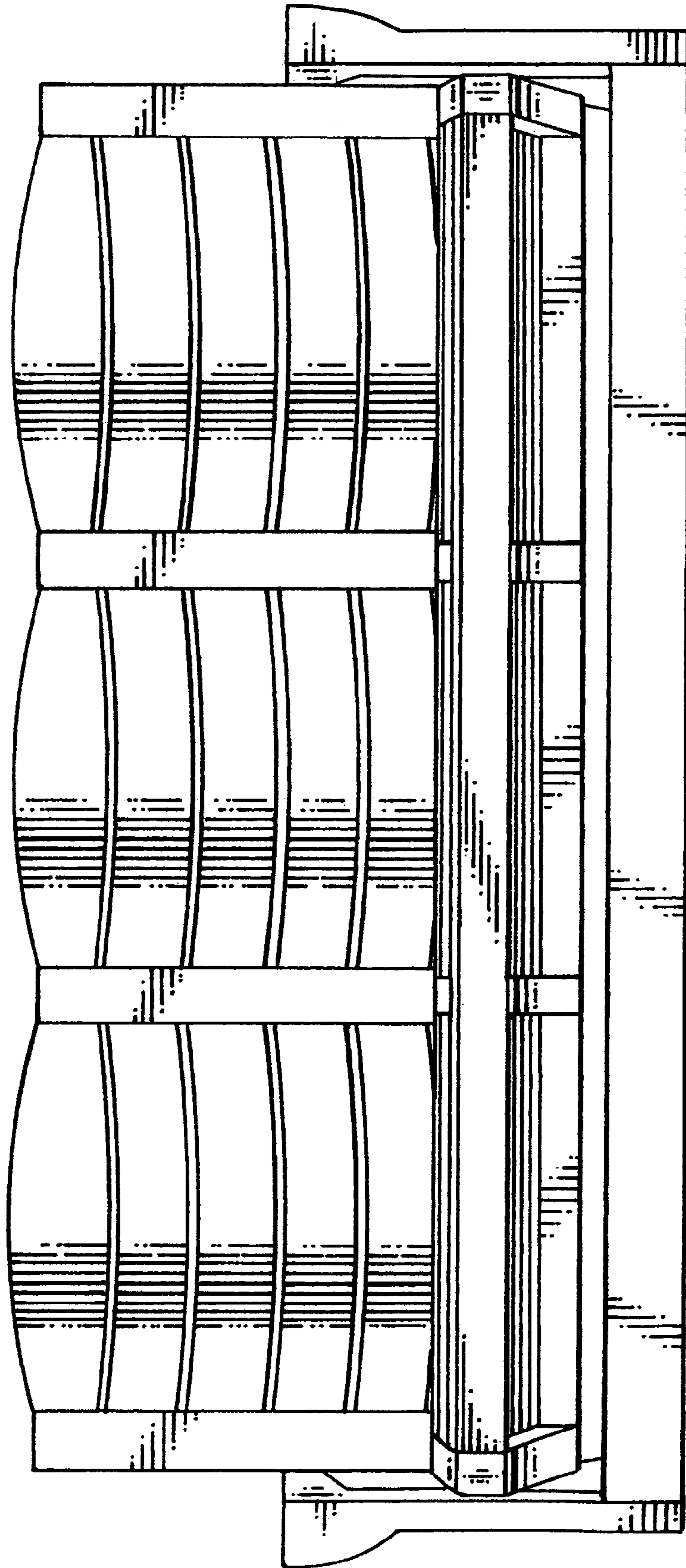


FIG. 10

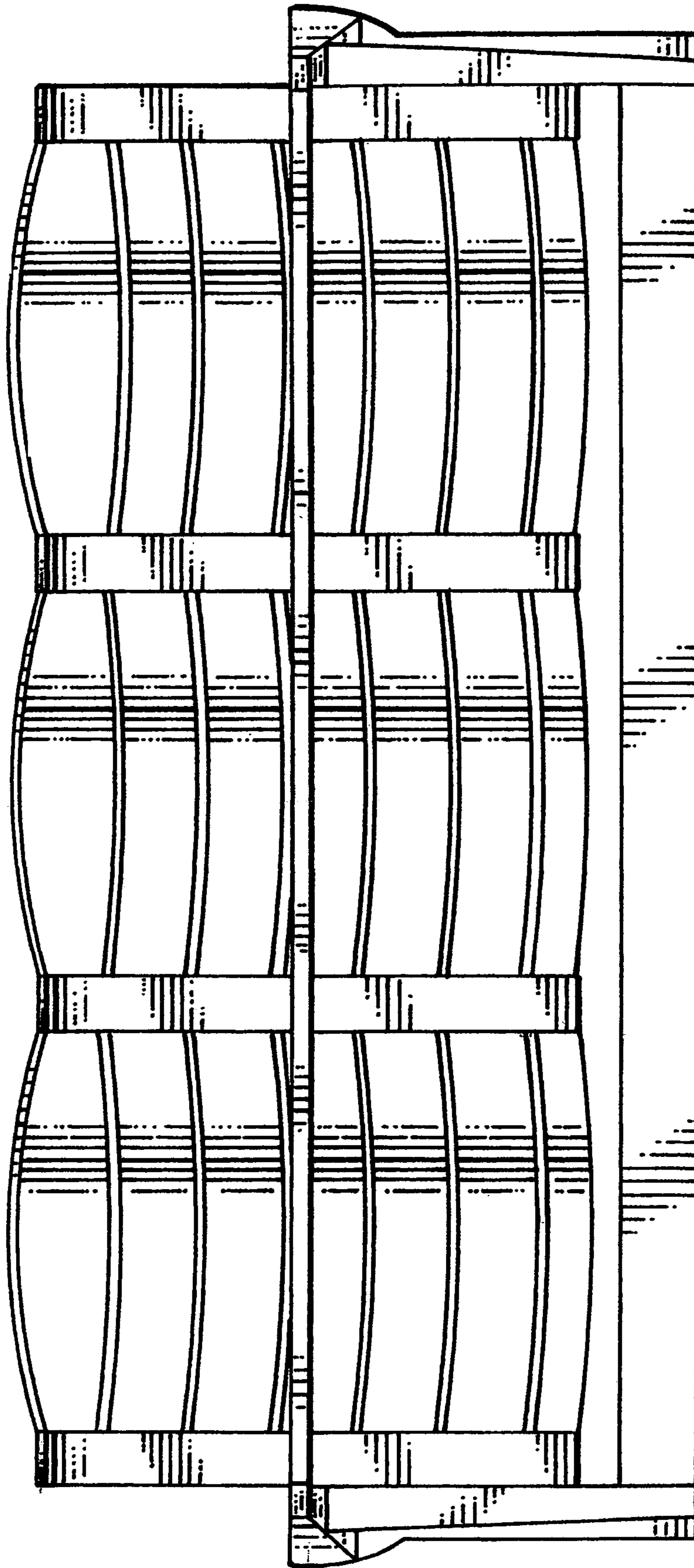


FIG. 11

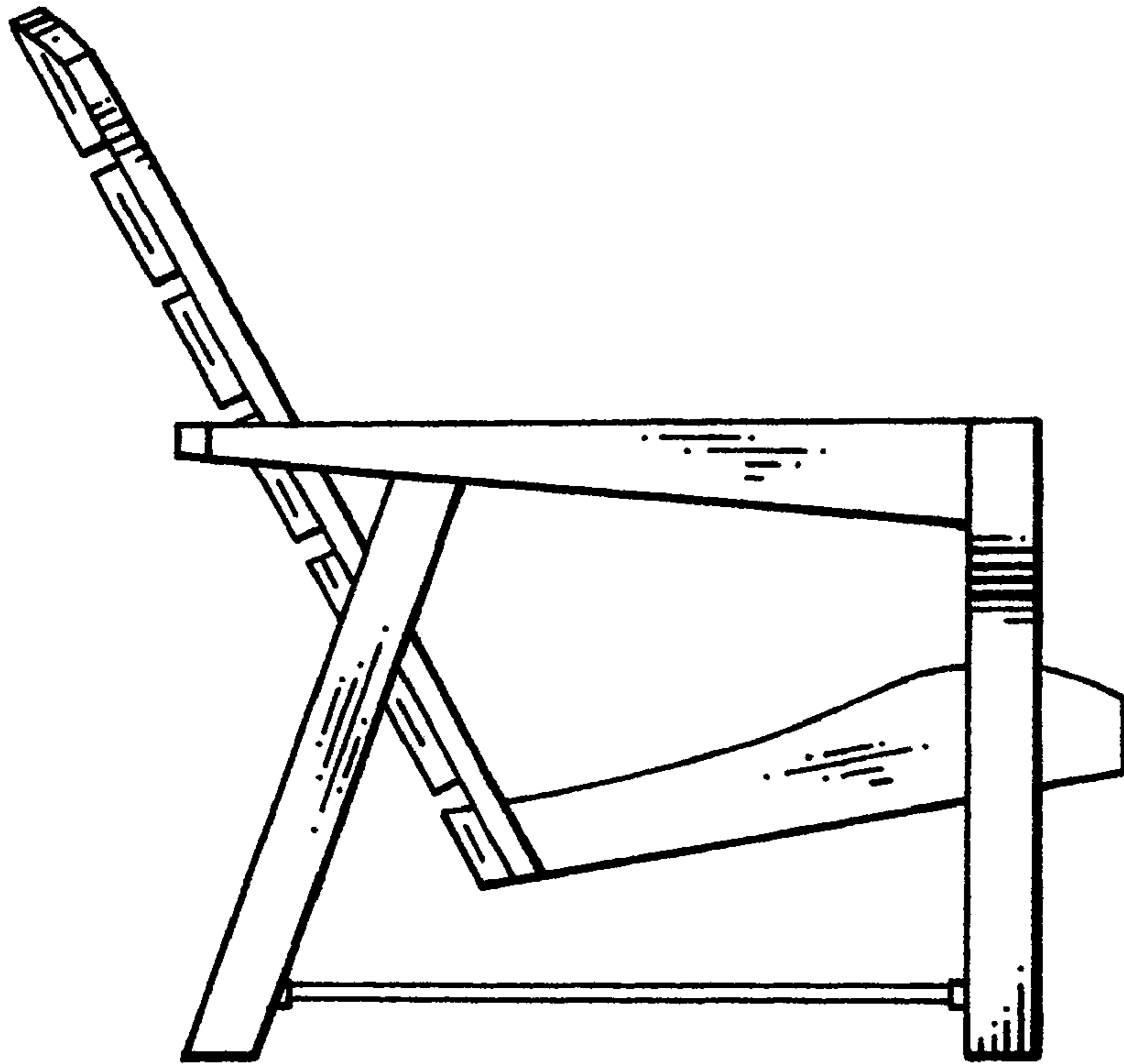


FIG. 12

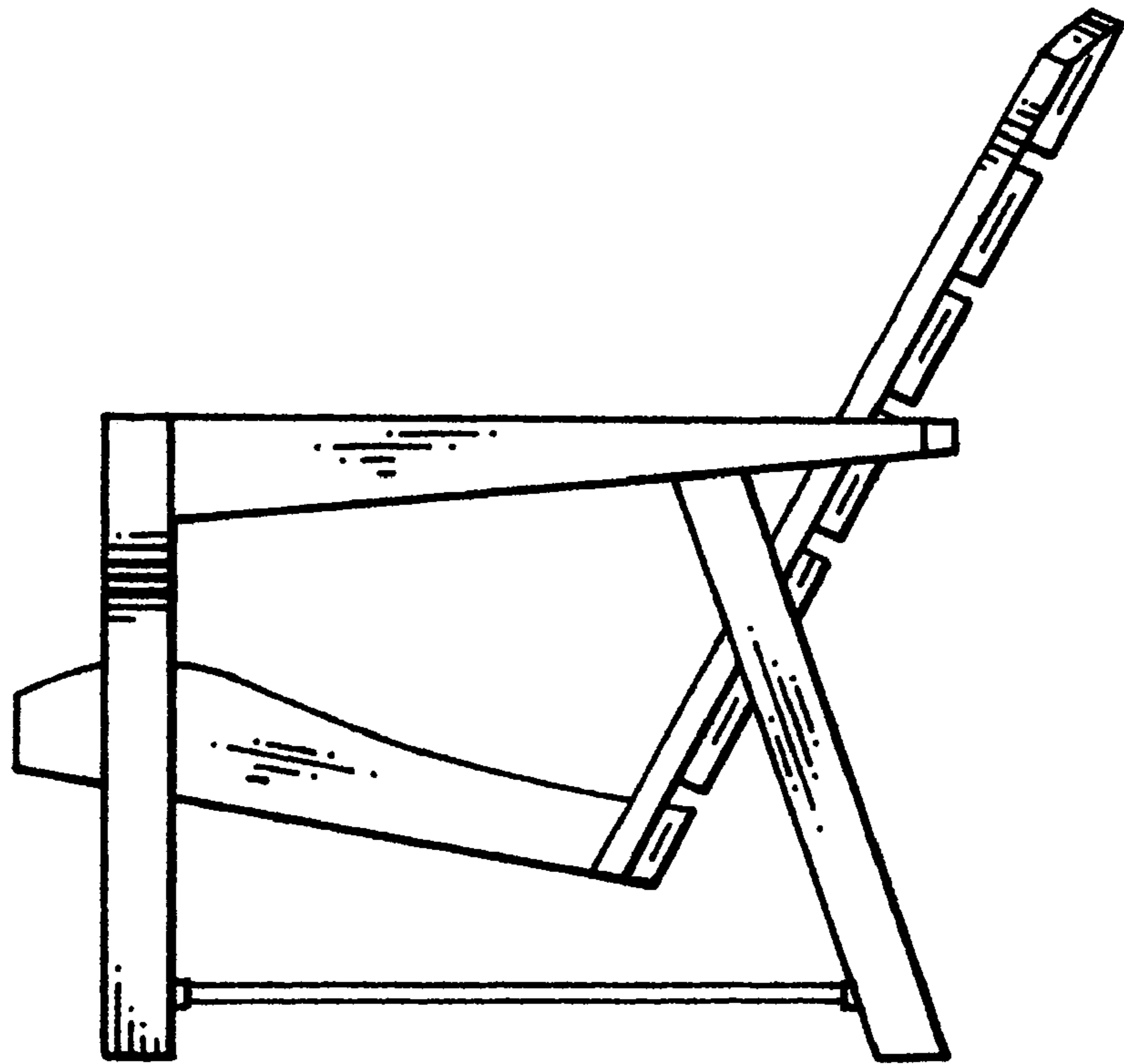


FIG. 13

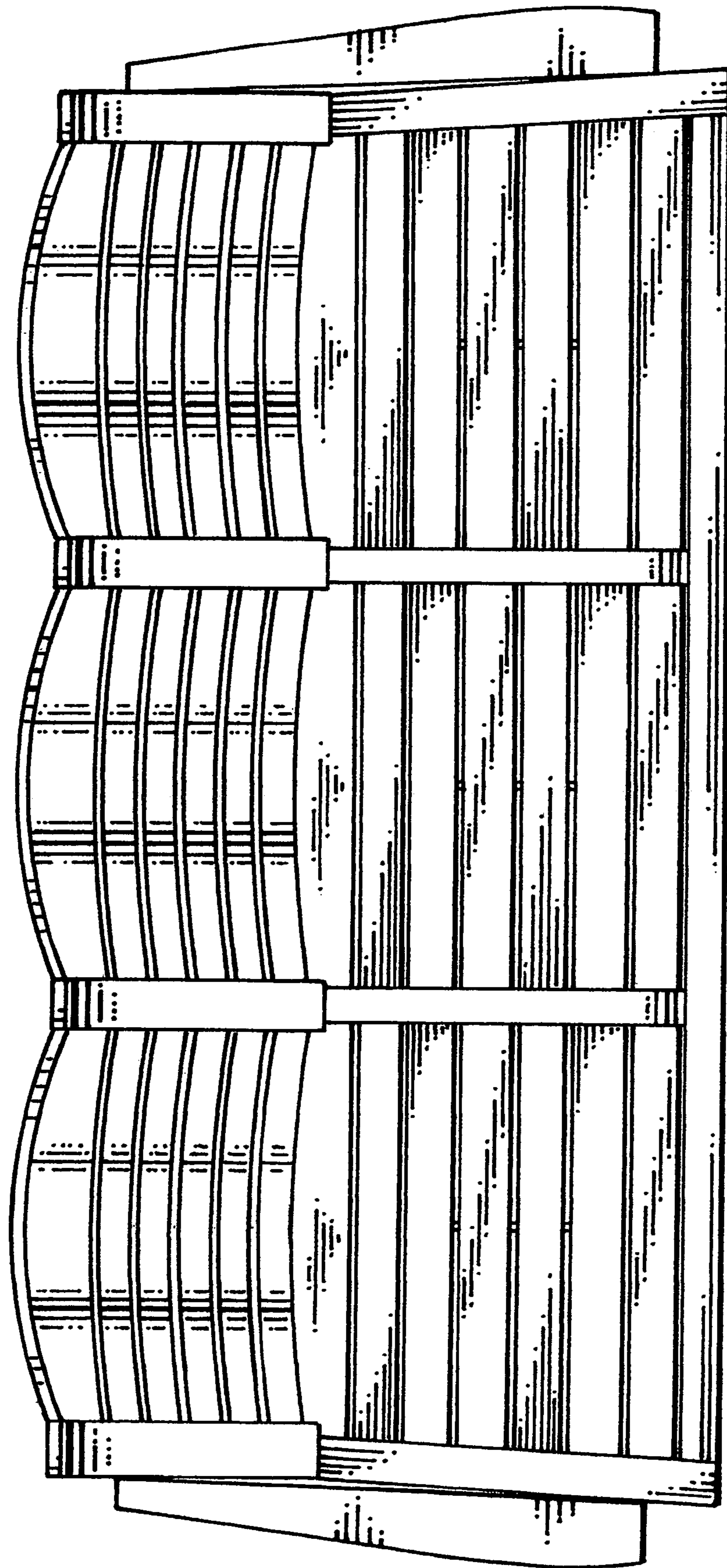


FIG. 14

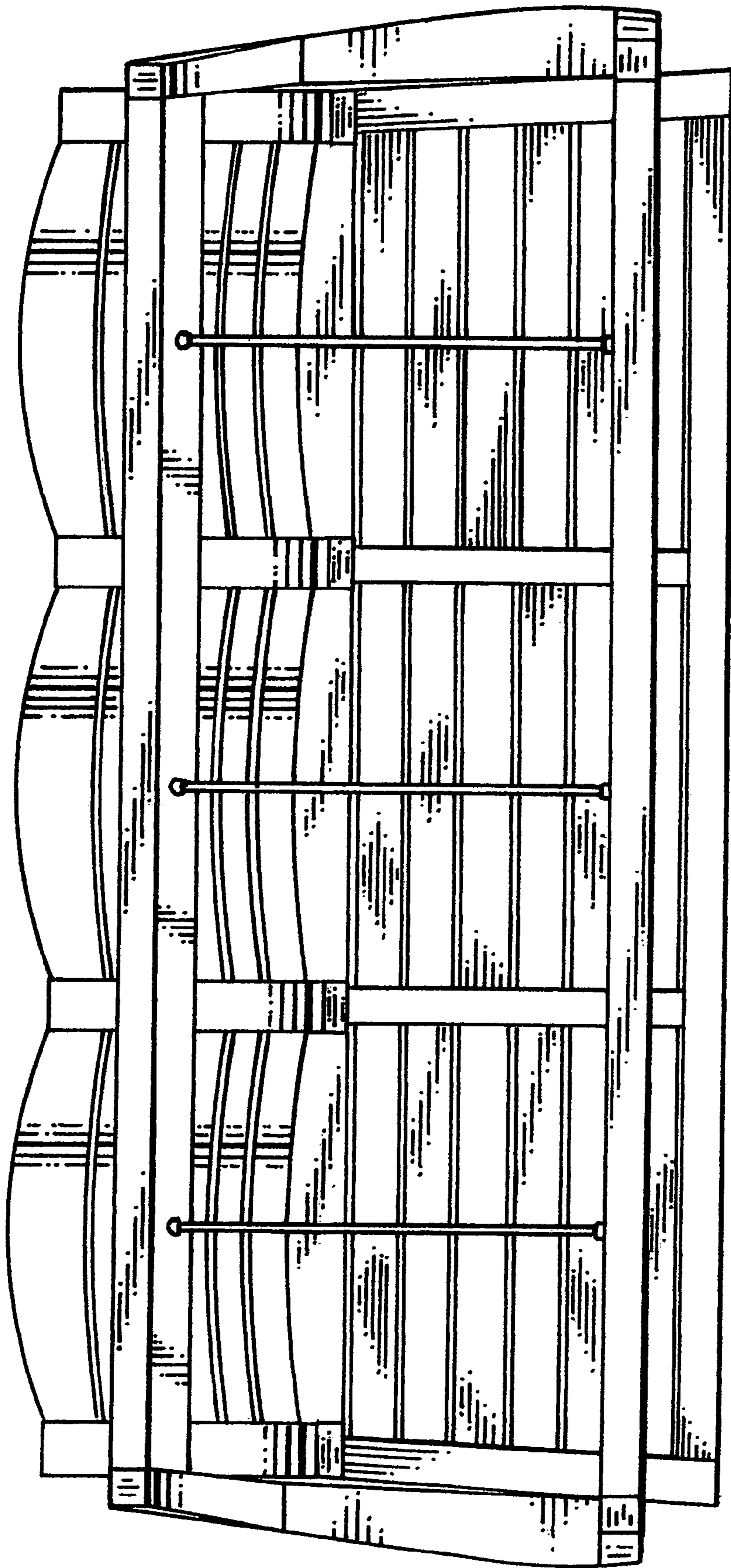


FIG. 15

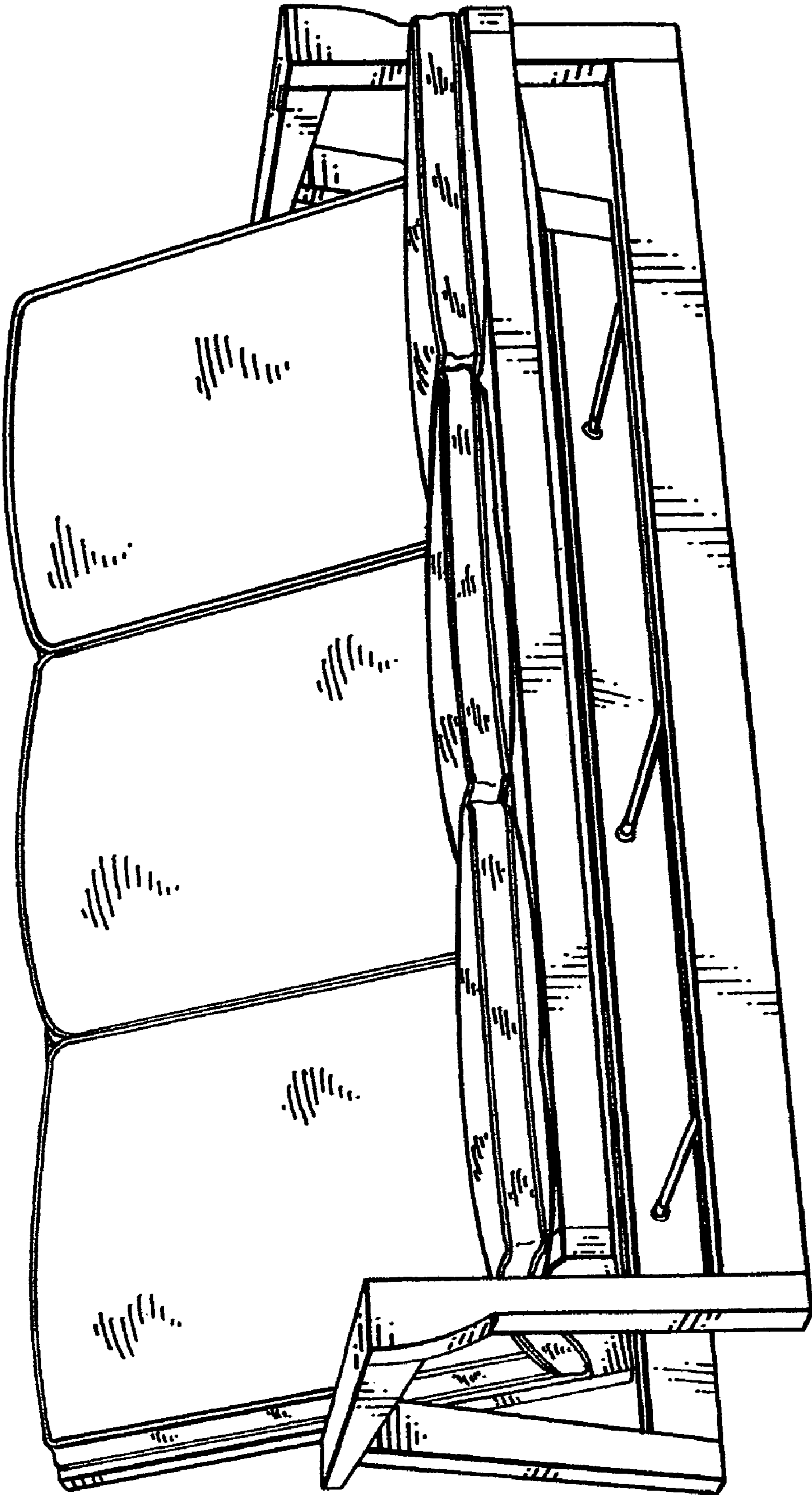


FIG. 16