



US00D549976S

(12) **United States Design Patent**  
**Lin**

(10) **Patent No.:** **US D549,976 S**

(45) **Date of Patent:** **\*\* Sep. 4, 2007**

(54) **CHAIR**

(76) **Inventor:** **Peter Lin**, No. 16, Lane 207, Tsu Tzu Road, Nan Tou City (TW)

(\*\*) **Term:** **14 Years**

(21) **Appl. No.:** **29/250,288**

(22) **Filed:** **Nov. 9, 2006**

(51) **LOC (8) Cl.** ..... **06-01**

(52) **U.S. Cl.** ..... **D6/366**

(58) **Field of Classification Search** ..... D6/334-336,  
D6/364, 365, 366, 367, 369, 379, 380, 500-50;  
297/391, 393, 396, 411.27, 452.29, 452.3,  
297/452.56, 452.64

See application file for complete search history.

(56) **References Cited**

**U.S. PATENT DOCUMENTS**

D436,456 S *	1/2001	Neil	.....	D6/366
D481,879 S *	11/2003	Su	.....	D6/366
D486,656 S *	2/2004	Su	.....	D6/366
D489,542 S *	5/2004	Giugiaro	.....	D6/366
D507,124 S *	7/2005	Yang	.....	D6/366
D510,488 S *	10/2005	Su	.....	D6/366
D512,232 S *	12/2005	Wu	.....	D6/366

D512,574 S *	12/2005	Tsai	.....	D6/366
D516,828 S *	3/2006	Tsai	.....	D6/366
D528,810 S *	9/2006	Giugiaro	.....	D6/366
D534,365 S *	1/2007	Breen	.....	D6/366

\* cited by examiner

*Primary Examiner*—Mimosa De

(74) *Attorney, Agent, or Firm*—Alan Kamrath; Kamrath & Associates PA

(57) **CLAIM**

The ornamental design for chair, as shown and described.

**DESCRIPTION**

FIG. 1 is a perspective view of a chair showing my new design;

FIG. 2 is a front view thereof;

FIG. 3 is a rear view thereof;

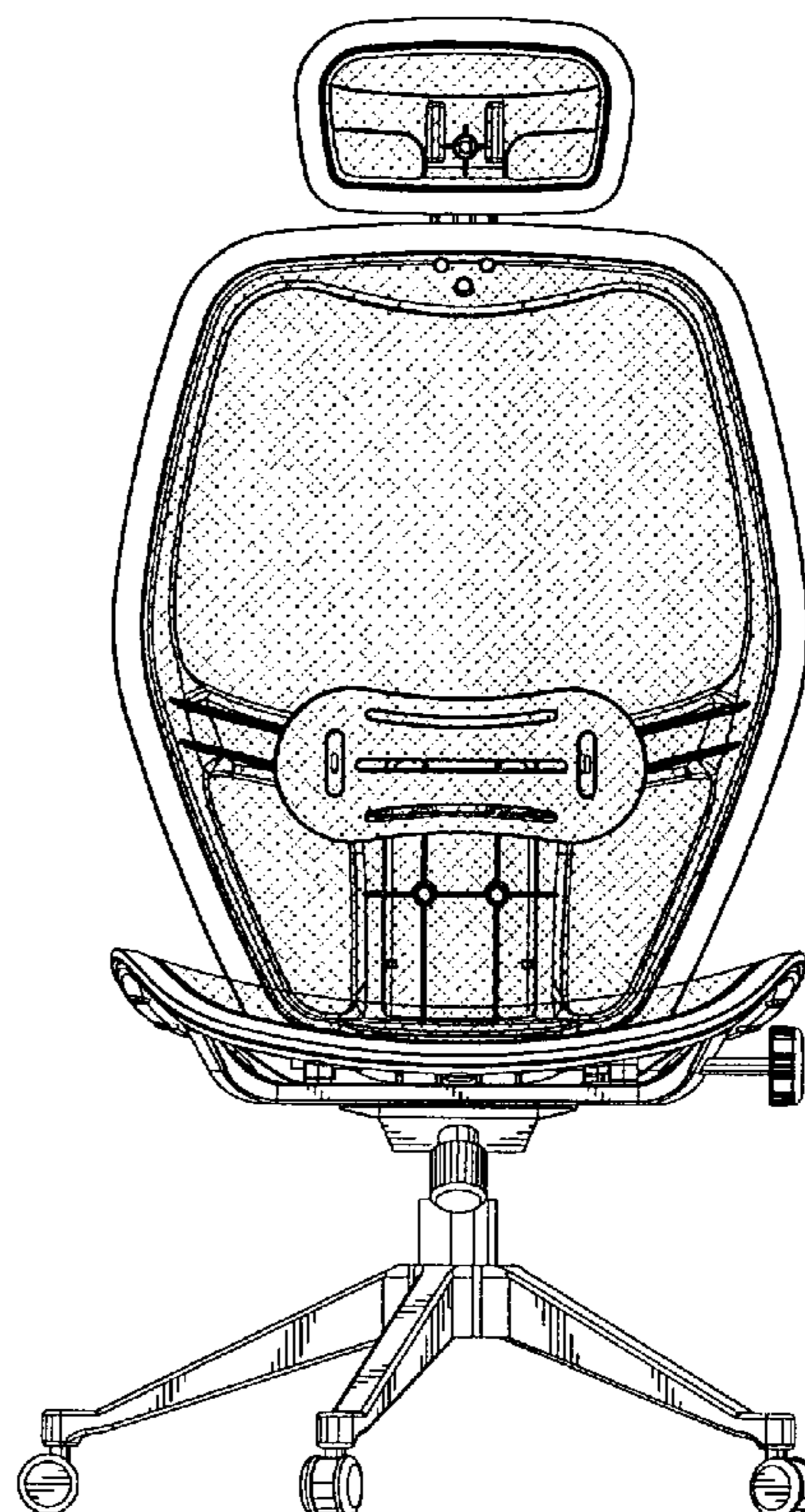
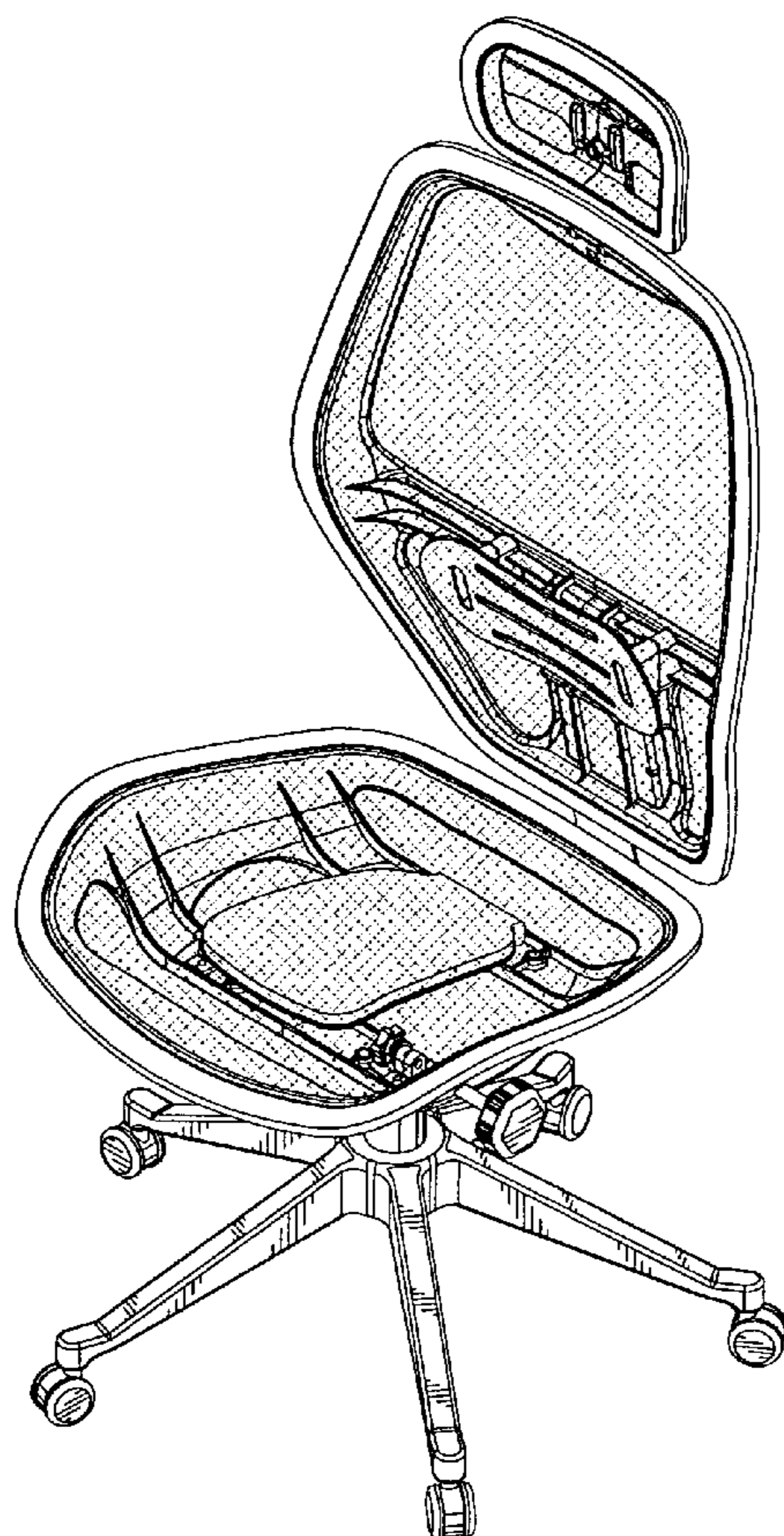
FIG. 4 is a left view thereof;

FIG. 5 is a right view thereof;

FIG. 6 is a top view thereof; and,

FIG. 7 is a bottom view thereof.

**1 Claim, 7 Drawing Sheets**



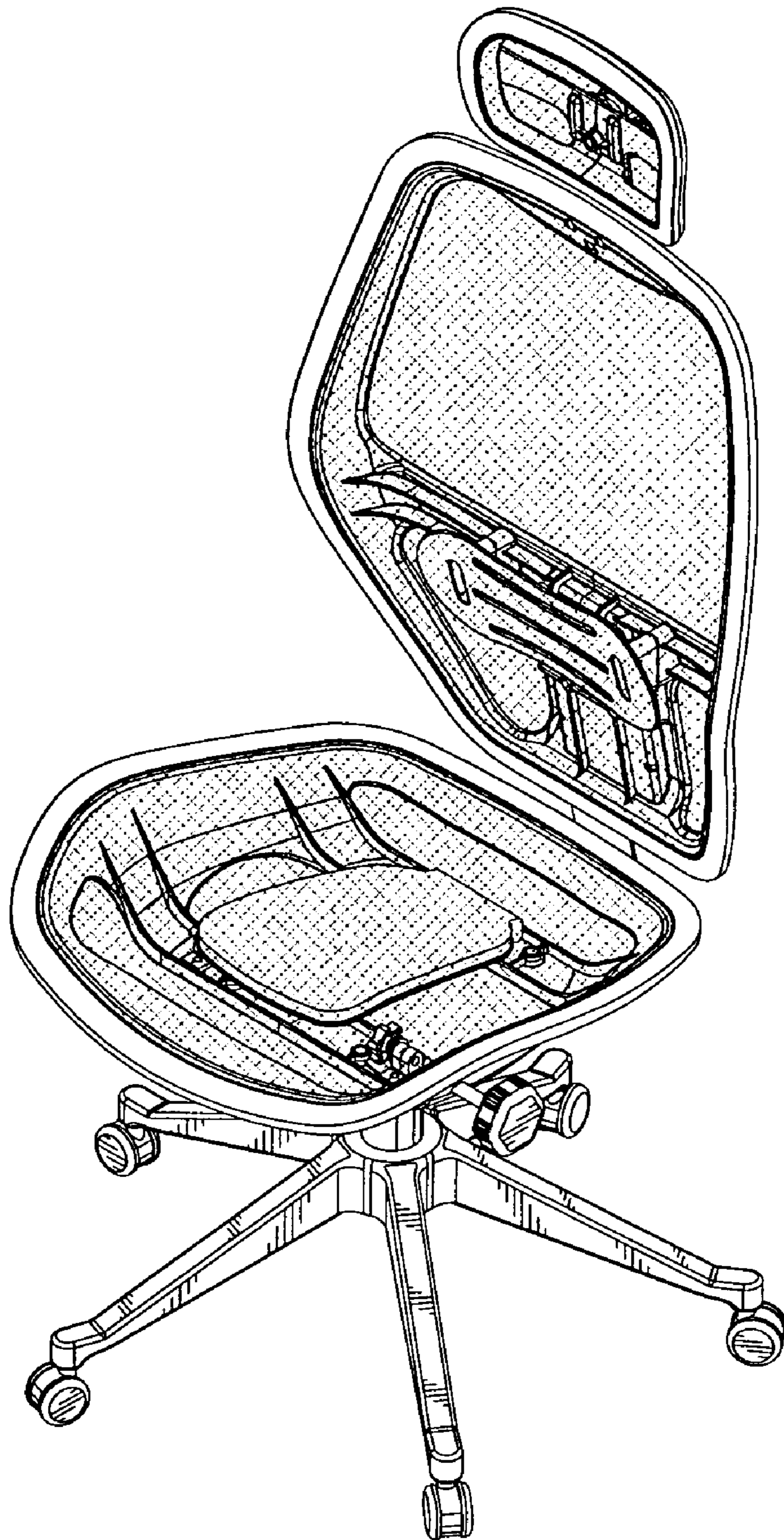


Fig. 1

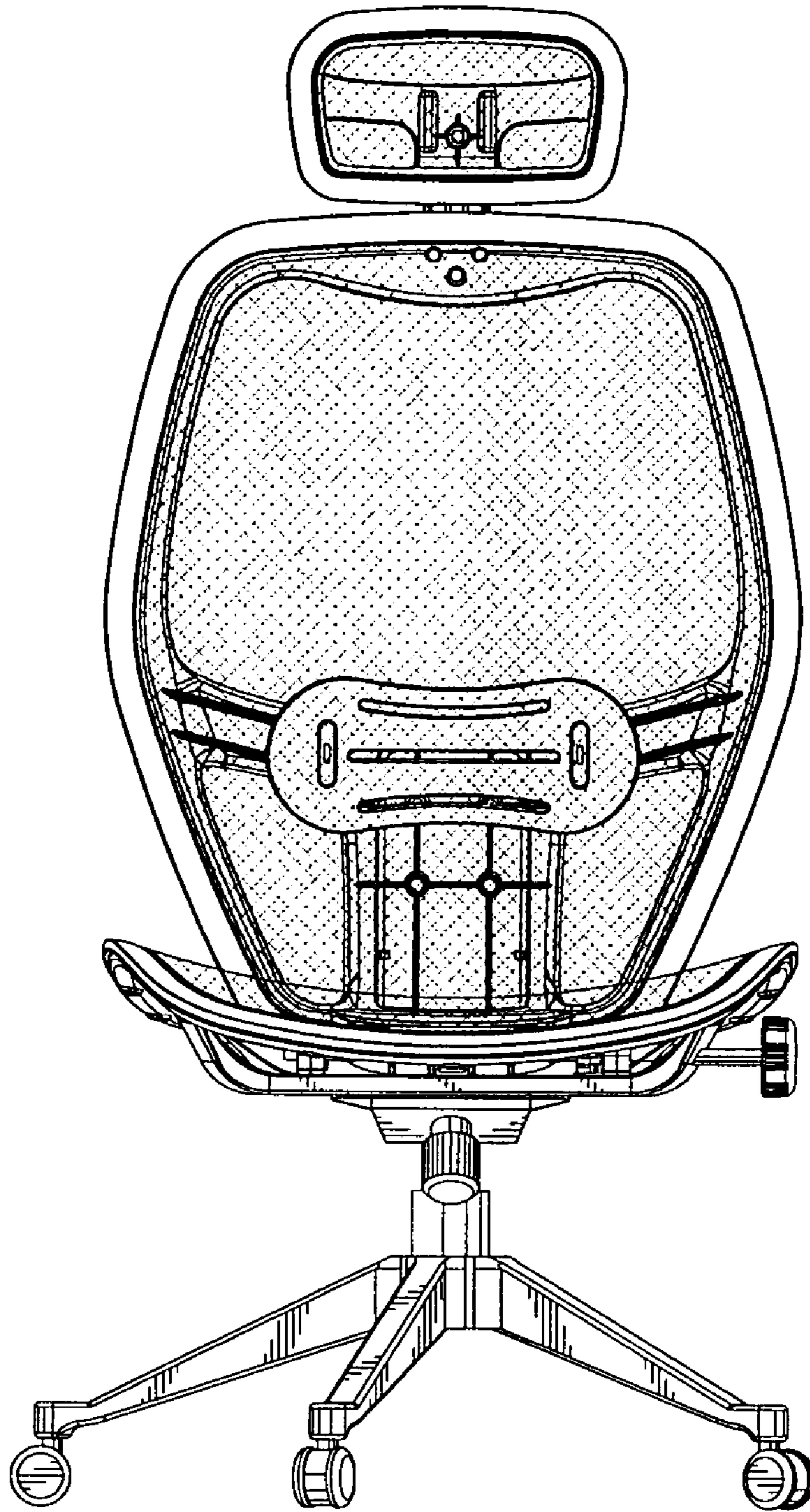


Fig. 2

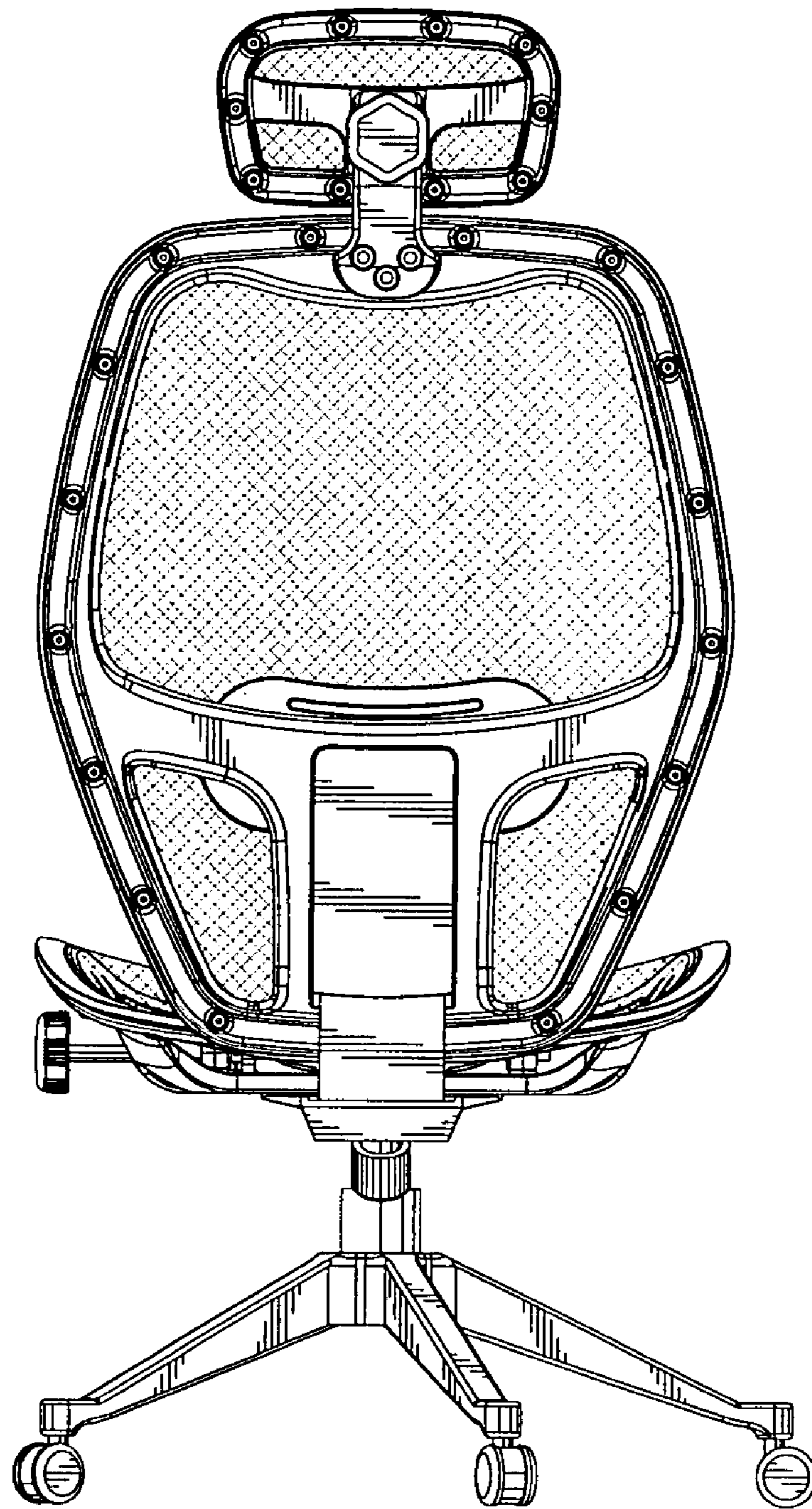


Fig. 3

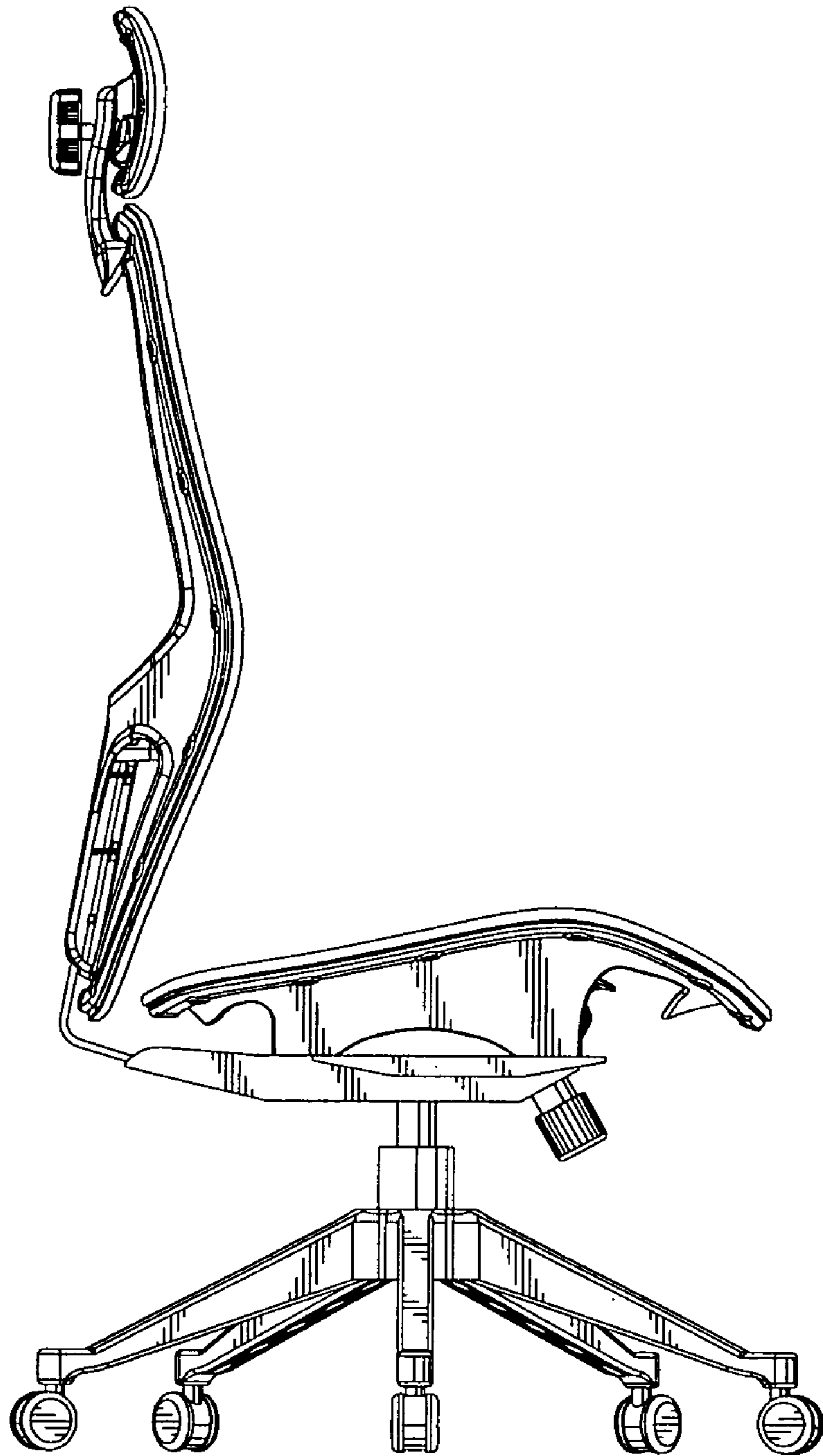
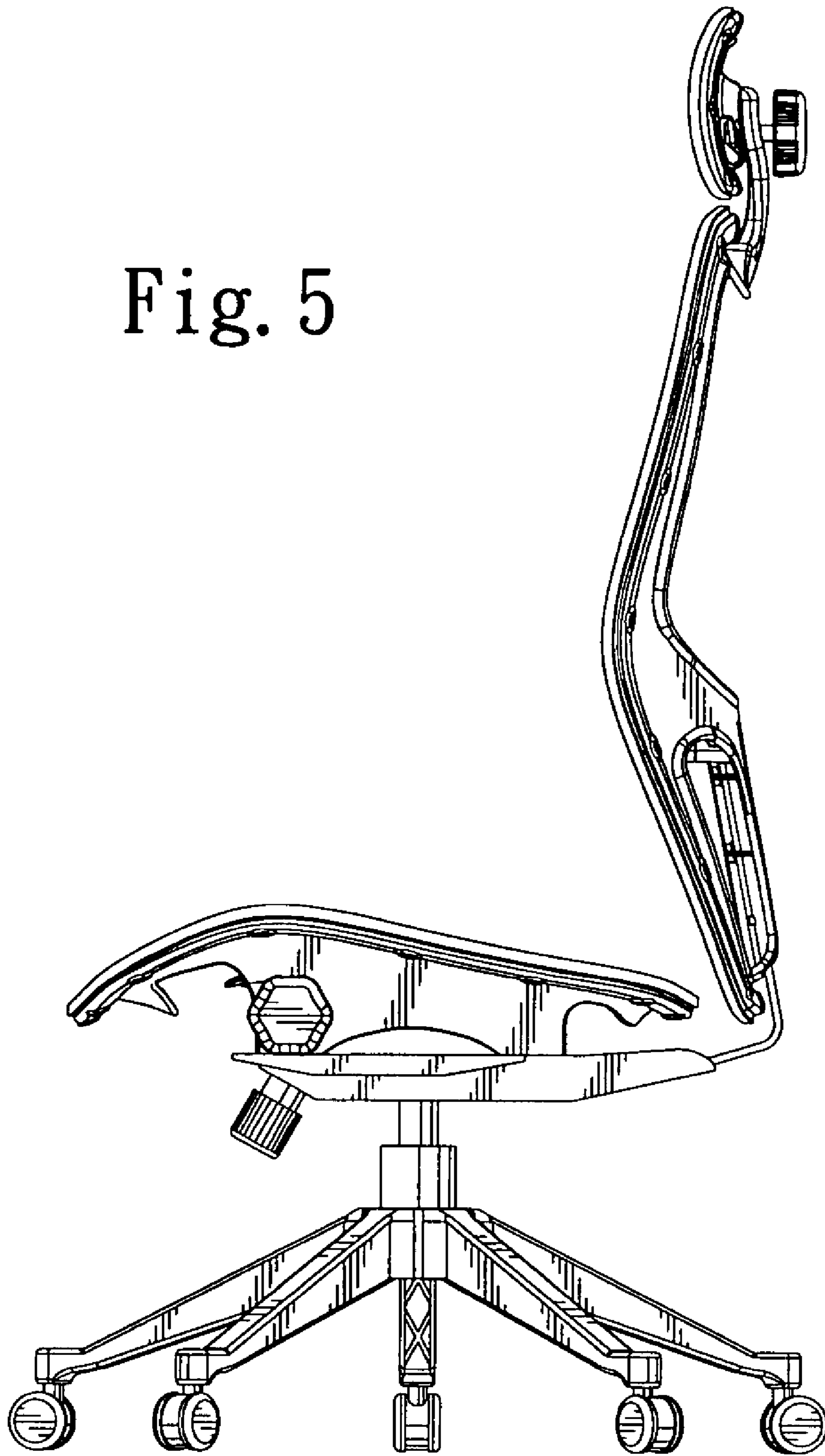


Fig. 4

Fig. 5



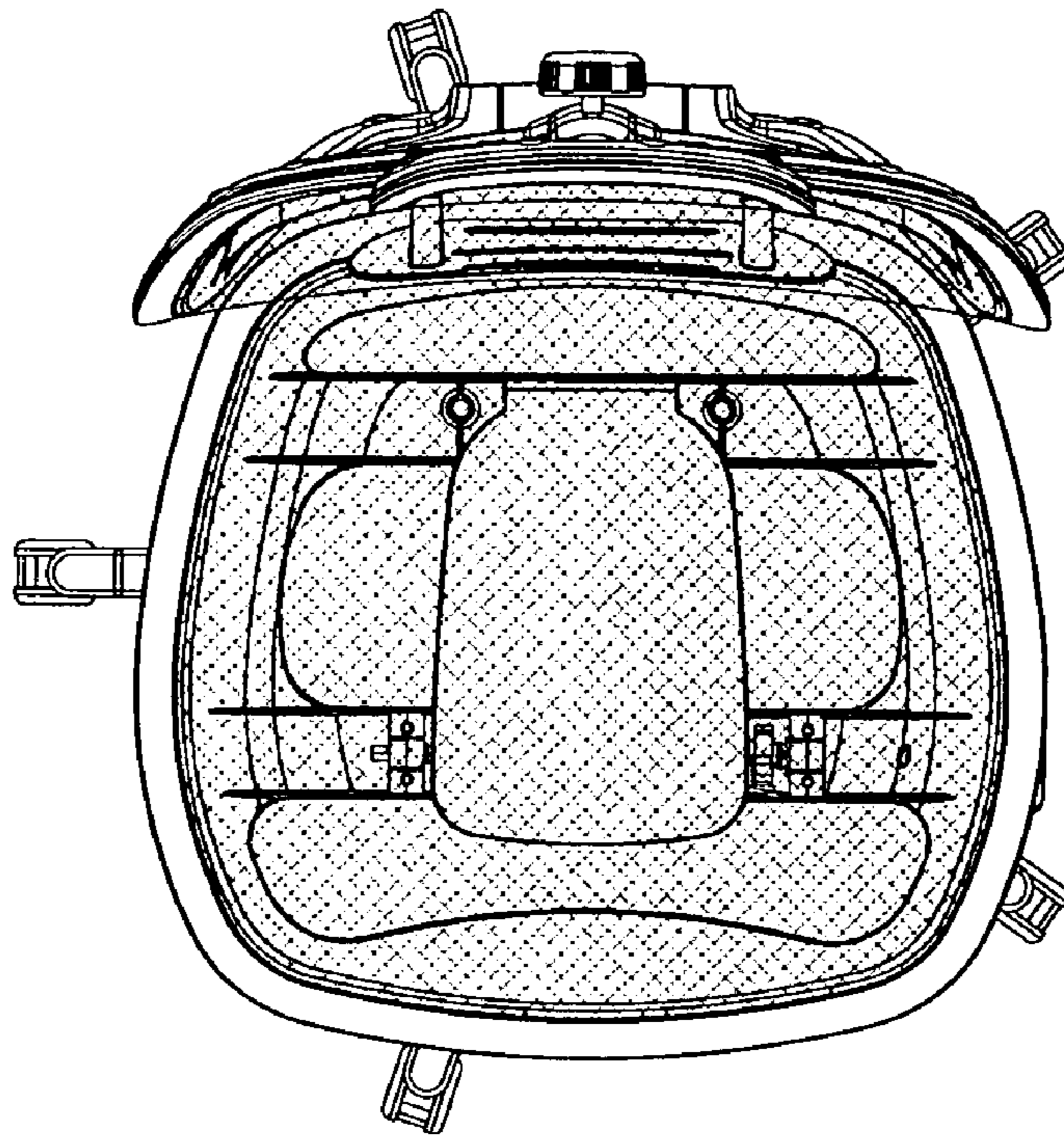


Fig. 6

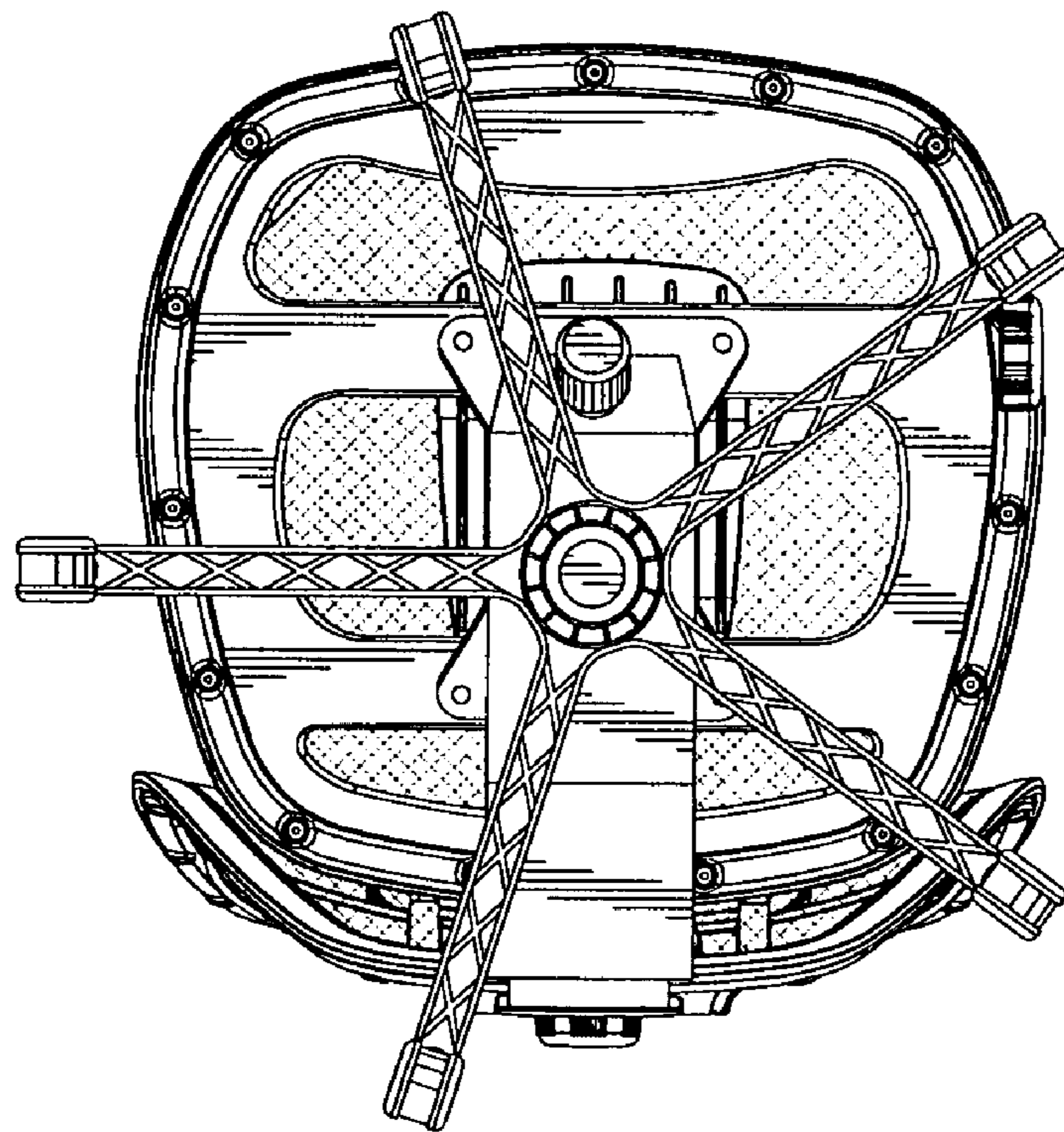


Fig. 7