



US00D549975S

(12) **United States Design Patent**  
**Fancelli**

(10) **Patent No.:** **US D549,975 S**

(45) **Date of Patent:** **\*\* Sep. 4, 2007**

(54) **CHAIR**

D514,338 S \* 2/2006 Bellin ..... D6/366

(75) Inventor: **Paolo Fancelli**, Zurich (CH)

\* cited by examiner

(73) Assignee: **Stoll Giroflex AG**, Koblenz (CH)

*Primary Examiner*—Robert M. Spear

*Assistant Examiner*—Katrina A. Kile

(\*\*) Term: **14 Years**

(74) *Attorney, Agent, or Firm*—Greenblum & Bernstein, P.L.C.

(21) Appl. No.: **29/221,405**

(22) Filed: **Jan. 18, 2005**

(57) **CLAIM**

(30) **Foreign Application Priority Data**

I claim the ornamental design for a chair, as shown and described.

Jul. 19, 2004 (WO) ..... DM/065 622

**DESCRIPTION**

(51) **LOC (8) Cl.** ..... **06-01**

FIG. 1 is a perspective view of a chair my design;

(52) **U.S. Cl.** ..... **D6/366**

FIG. 2 is a front view of the design;

(58) **Field of Classification Search** ..... D6/356,

FIG. 3 is a back view of the design;

D6/334, 335, 364–367, 374, 375, 379, 500–502;

FIG. 4 is a right side view of the design;

297/284.4, 411.36, 452.21, 452.29, 452.3,

FIG. 5 is a left side view of the design;

297/452.35, 452.38

FIG. 6 is a top view of the design; and,

See application file for complete search history.

FIG. 7 is a bottom view of the design.

(56) **References Cited**

Any surfaces of the design not shown, including interior surfaces, form no part of the claimed invention.

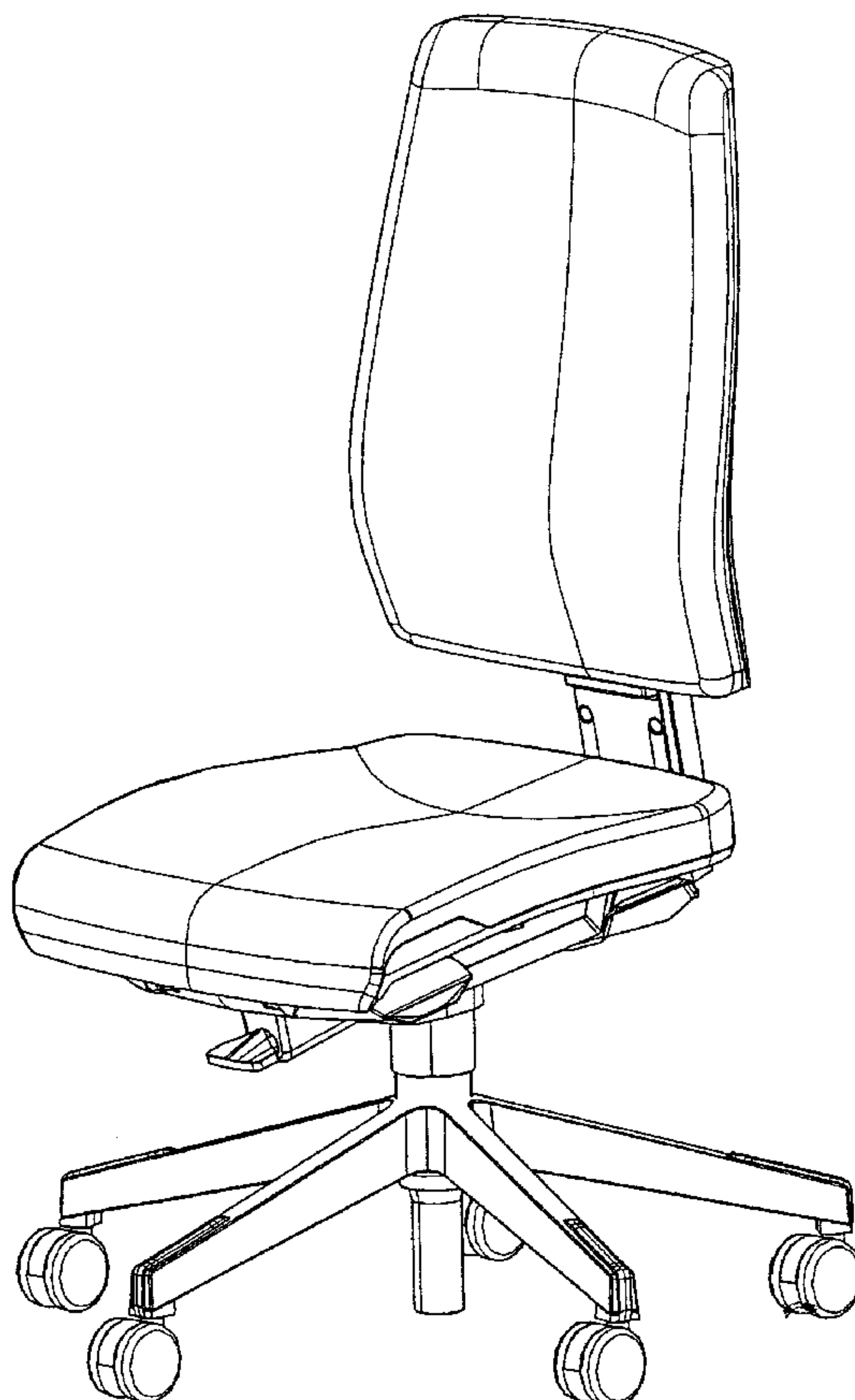
**U.S. PATENT DOCUMENTS**

D247,463 S \* 3/1978 Muller-Deisig ..... D6/366

D437,132 S \* 2/2001 Nagamitsu ..... D6/366

D446,955 S \* 8/2001 Zemp ..... D6/366

**1 Claim, 7 Drawing Sheets**



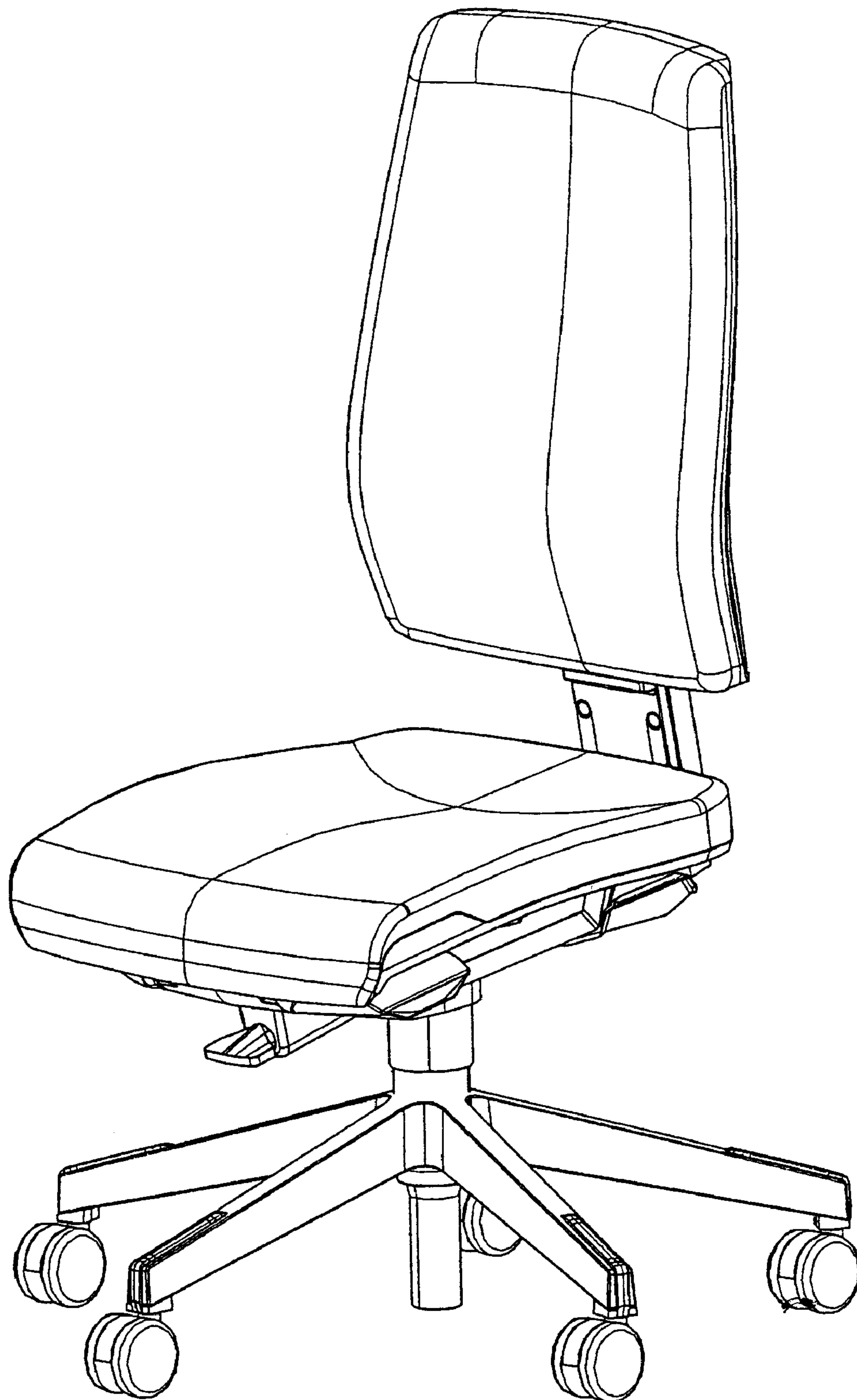


FIG. 1

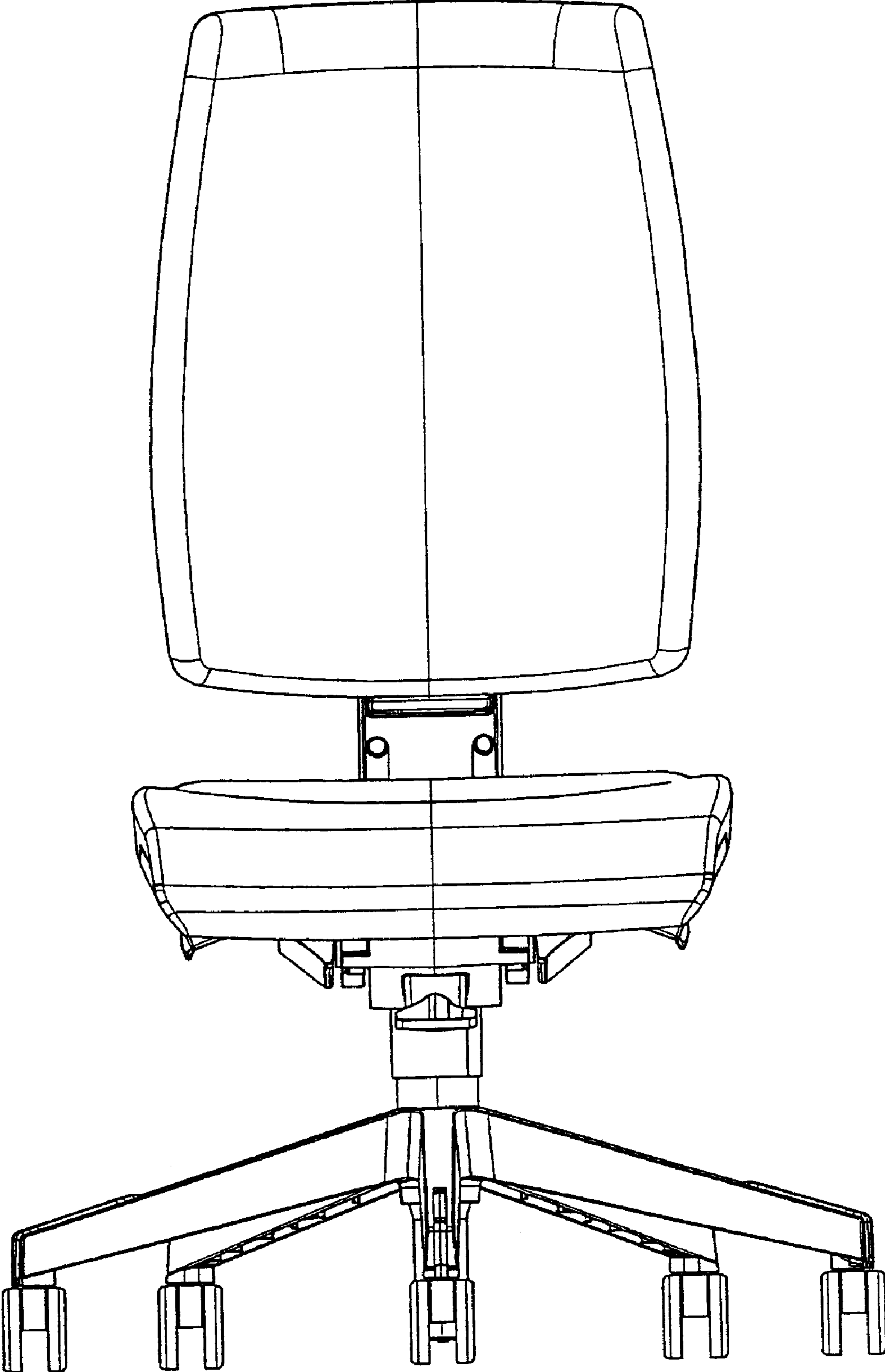


FIG. 2

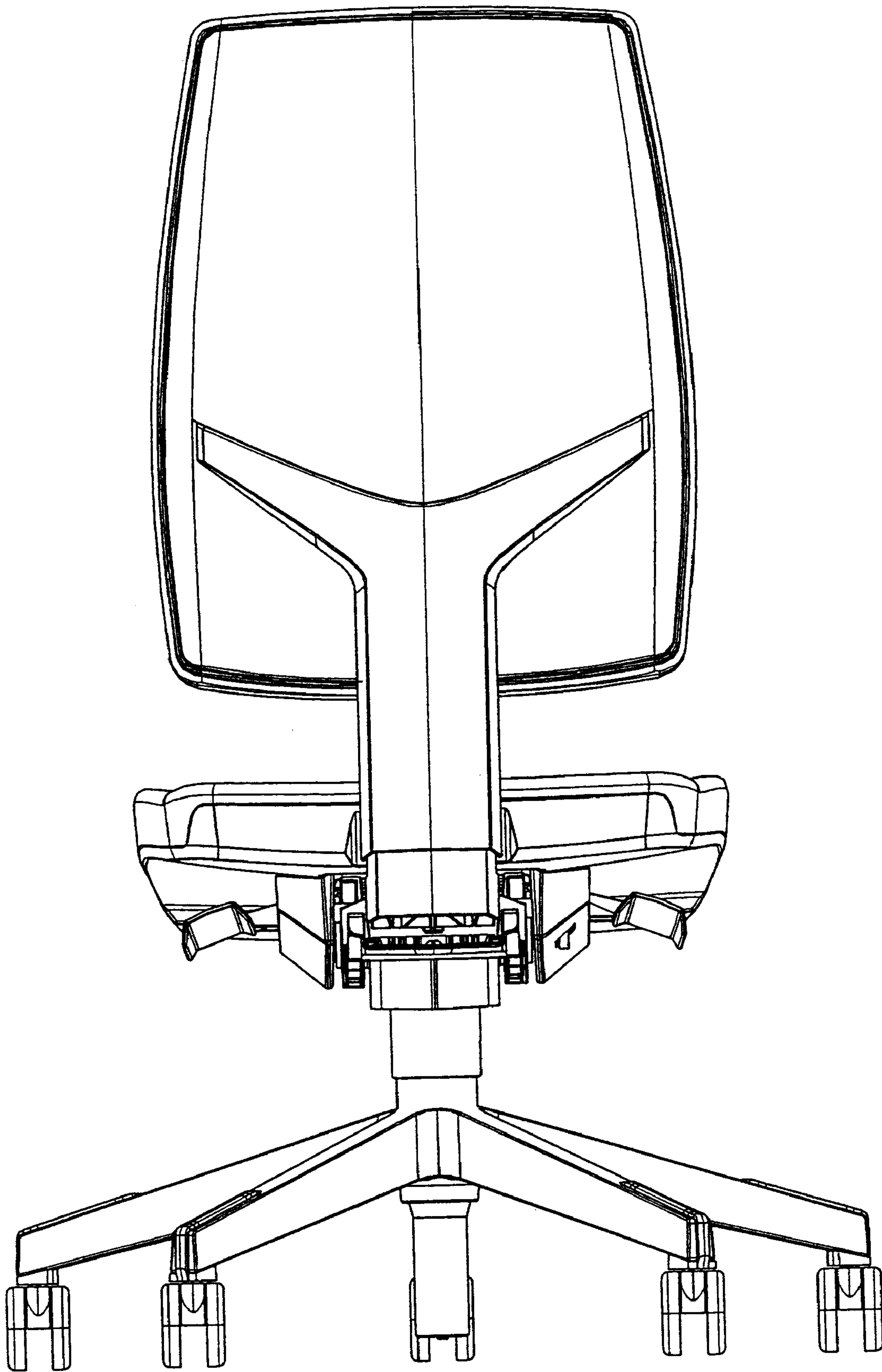


FIG. 3

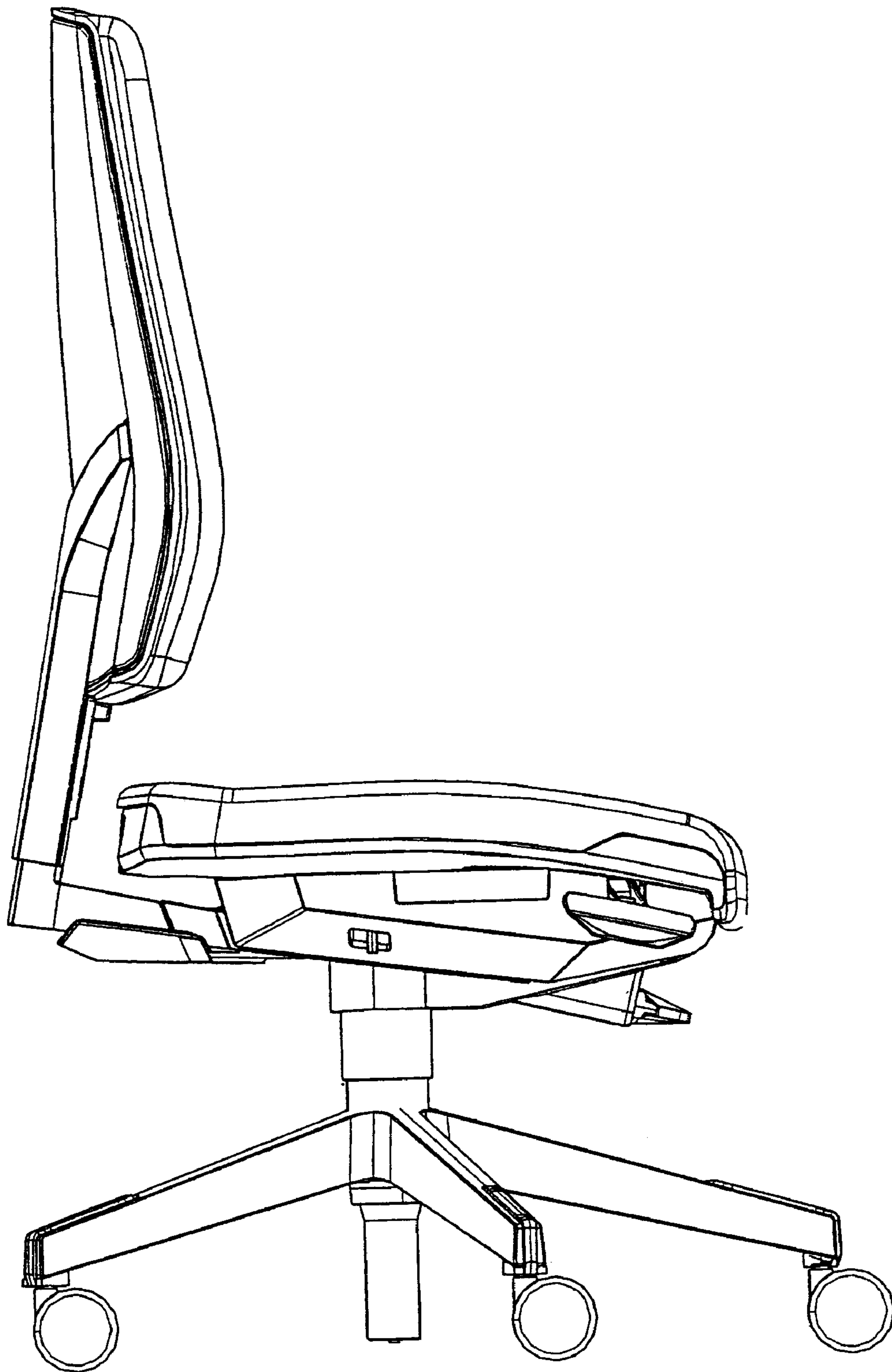


FIG. 4



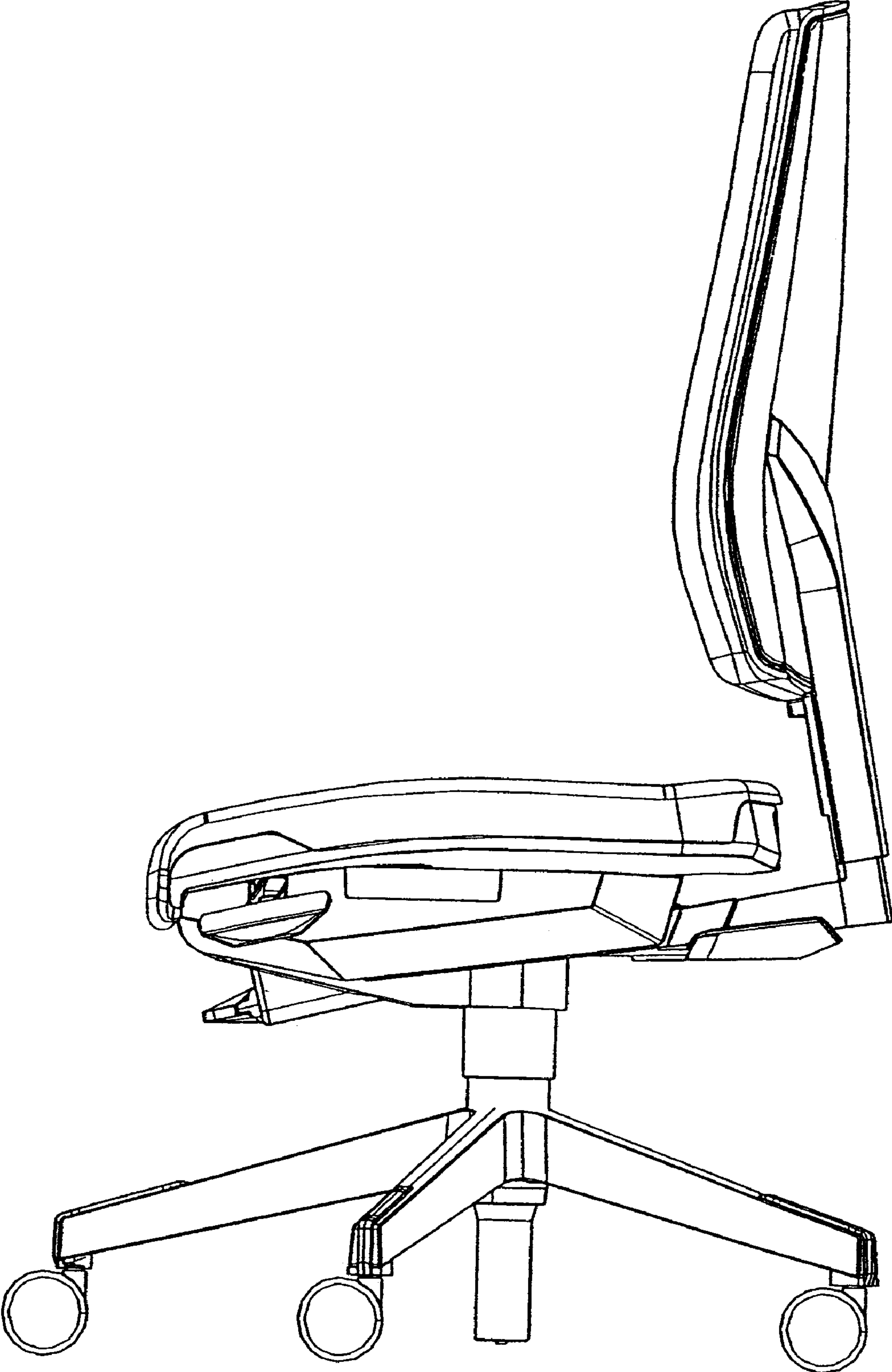


FIG. 5

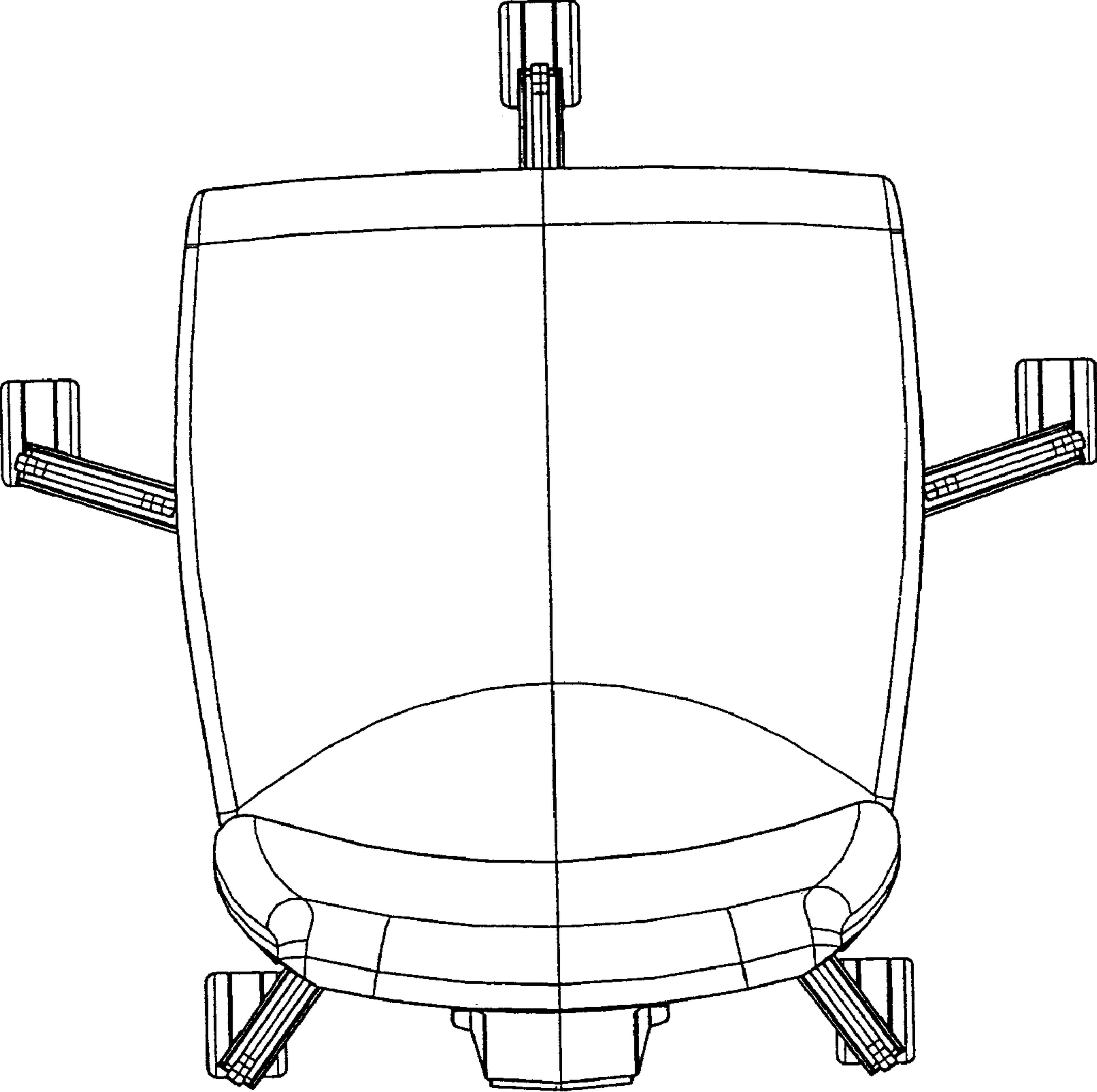


FIG. 6

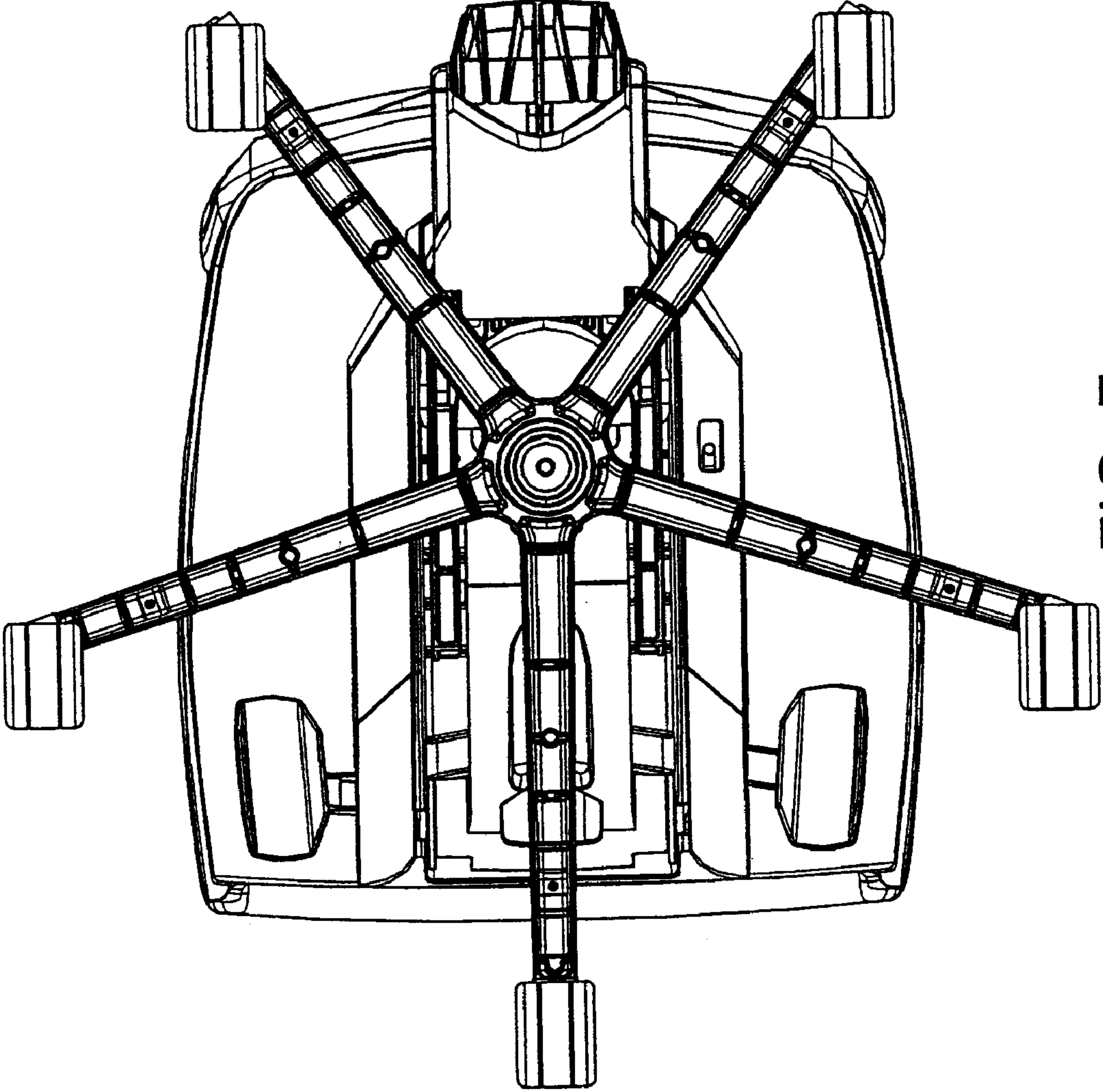


FIG. 7