



US00D549973S

(12) **United States Design Patent**
Petrucelli

(10) **Patent No.:** **US D549,973 S**

(45) **Date of Patent:** **** Sep. 4, 2007**

(54) **SEAT WITH SIDE ARMS FOR BEAUTY SALON CHAIR**

D526,146 S * 8/2006 Kita D6/500
D527,931 S * 9/2006 Kita D6/500

(75) Inventor: **Giulio Petrucelli**, Flushing, NY (US)

* cited by examiner

(73) Assignee: **P.S. Pibbs, Inc.**, Flushing, NY (US)

Primary Examiner—Mimosa De

(**) Term: **14 Years**

(74) *Attorney, Agent, or Firm*—Anthony J. Casella; Gerald E. Hespos

(21) Appl. No.: **29/285,610**

(57) **CLAIM**

(22) Filed: **Apr. 3, 2007**

The ornamental design for a seat with side arms for beauty salon chair, as shown and described.

(51) **LOC (8) Cl.** **06-01**

(52) **U.S. Cl.** **D6/364**

(58) **Field of Classification Search** D6/334–336,
D6/349, 356, 364, 365, 366, 367, 374, 379,
D6/380, 500–502; 297/344.18, 451.1, 451.4,
297/451.5, 451.6, 461, 462

See application file for complete search history.

DESCRIPTION

FIG. 1 is a perspective view of a seat with side arms for beauty salon chair of my new design;

FIG. 2 is an enlarged top plan view of the seat with side arms for beauty salon chair of FIG. 1;

FIG. 3 is an enlarged front elevational view of the seat with side arms for beauty salon chair of FIG. 1;

FIG. 4 is an enlarged side elevational view of the seat with side arms for beauty salon chair of FIG. 1, the opposite side being a mirror image of the side shown;

FIG. 5 is an enlarged rear elevational view of the seat with side arms for beauty salon chair of FIG. 1; and,

FIG. 6 is an enlarged bottom plan view of the seat with side arms for beauty salon chair of FIG. 1.

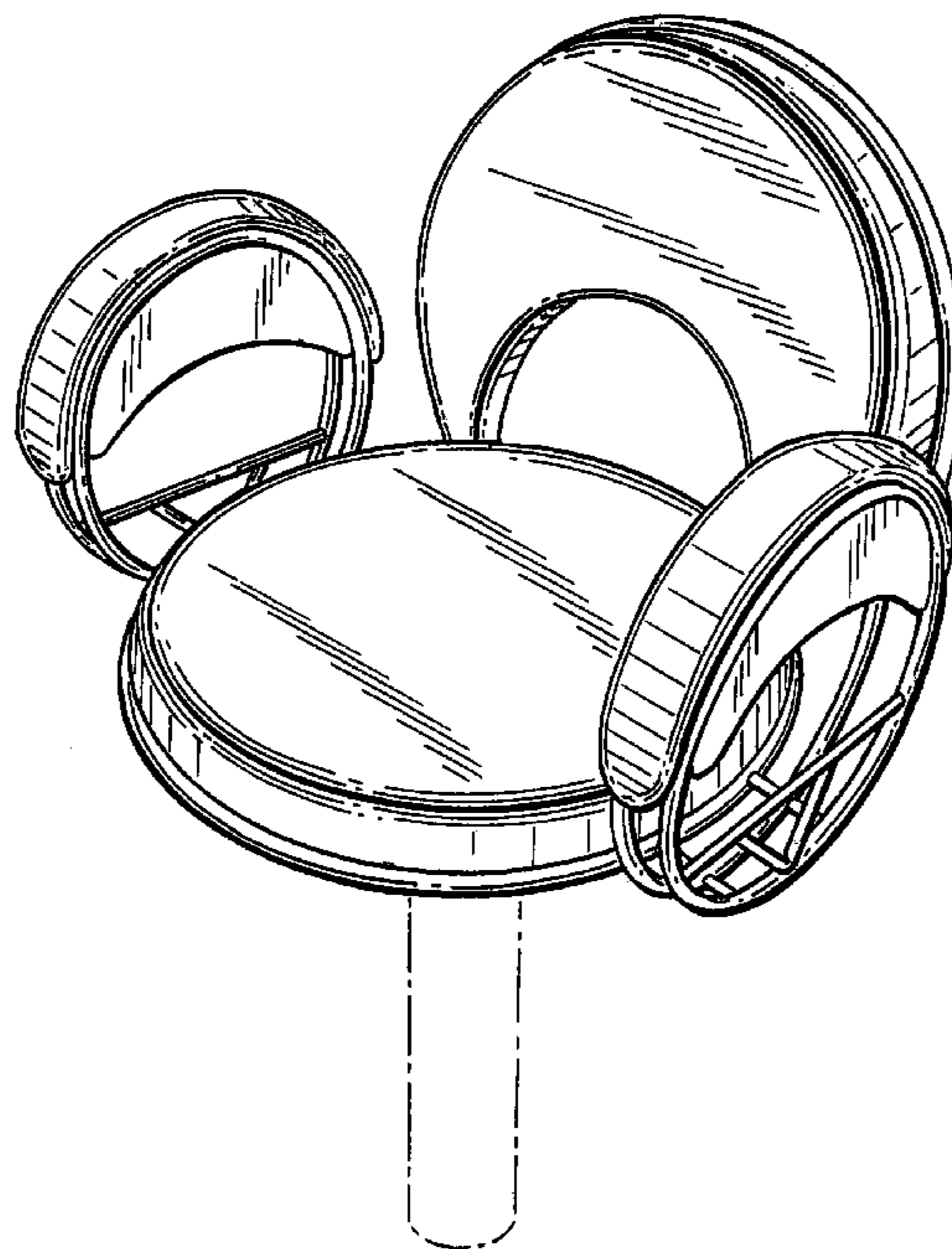
The broken line showing the leg support in FIG. 1 is for illustrative purposes only and forms no part of the claimed design.

(56) **References Cited**

U.S. PATENT DOCUMENTS

D76,729 S	10/1928	Schulse	
D148,922 S	3/1948	Fleischer	
2,693,227 A	11/1954	Holland	
D276,766 S *	12/1984	Truette	D6/366
D289,584 S *	5/1987	Pratt	D6/364
D313,896 S	1/1991	Kaye	
D338,565 S	8/1993	Tihany	
D341,949 S	12/1993	Dugan	
D450,955 S *	11/2001	Minami	D6/500
6,428,105 B1	8/2002	Ellis et al.	
D485,455 S	1/2004	Petrucelli	
D487,986 S *	4/2004	Muller	D6/365
D526,145 S *	8/2006	Kita	D6/500

1 Claim, 6 Drawing Sheets



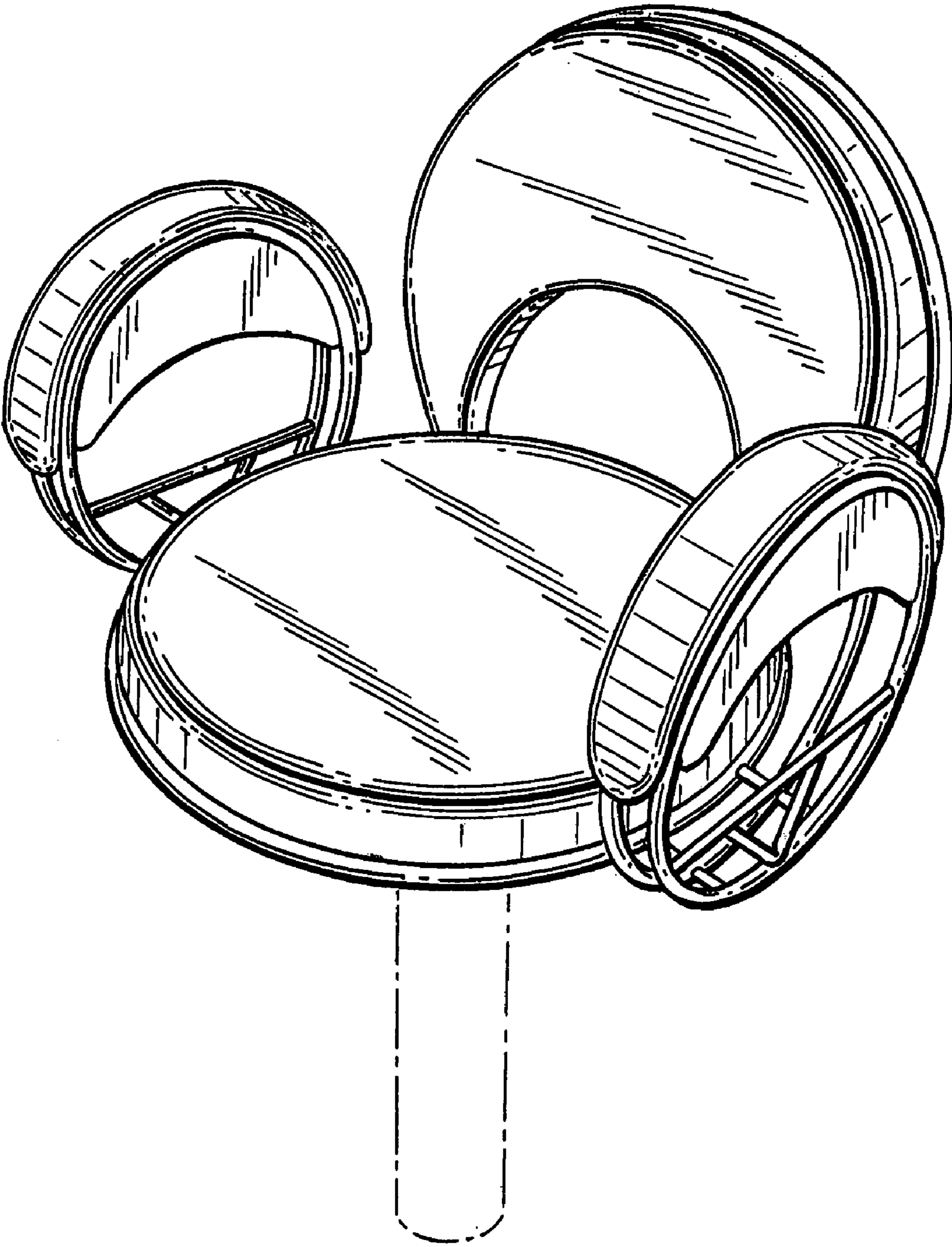


FIG. 1

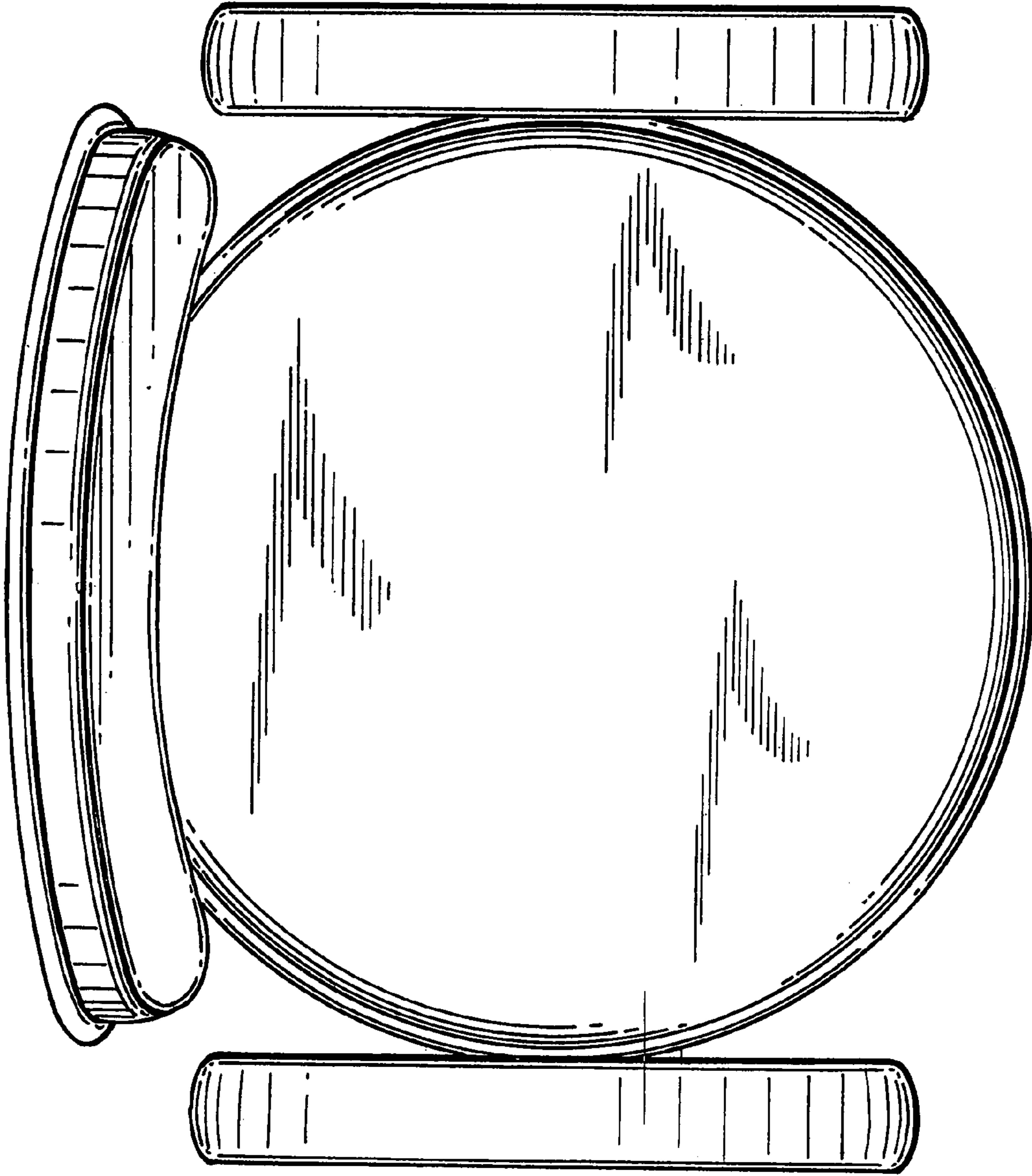


FIG.2

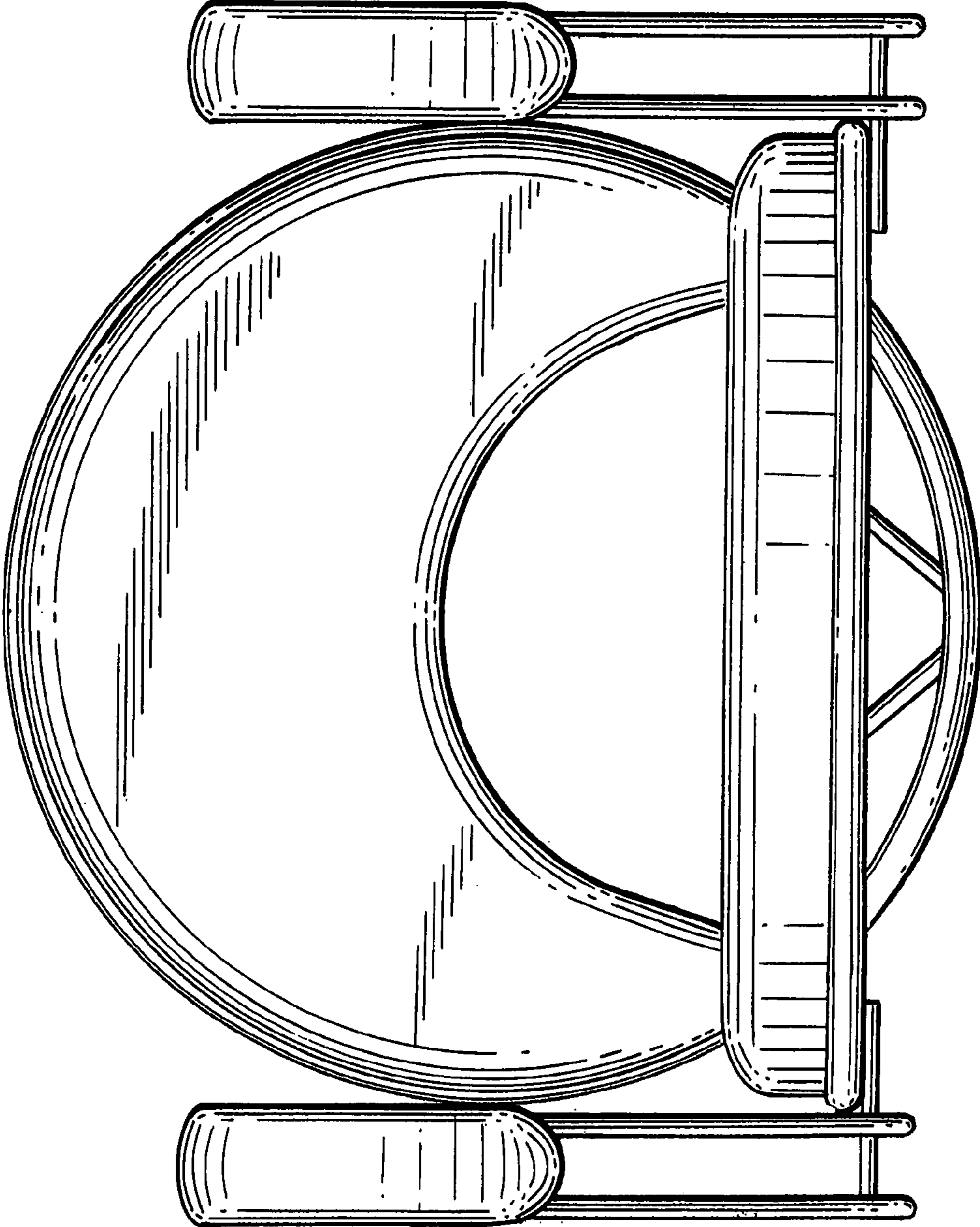


FIG.3

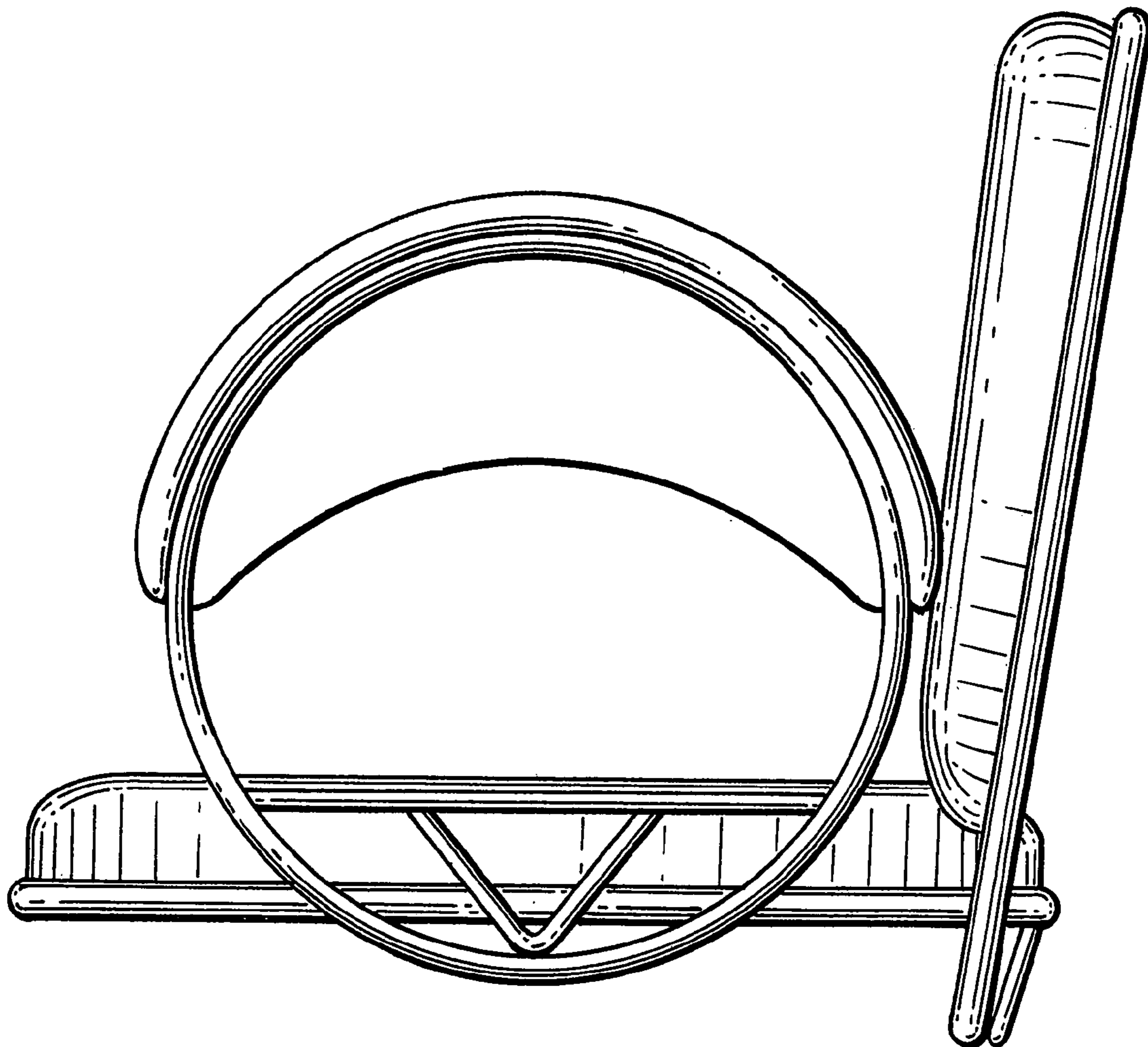


FIG. 4

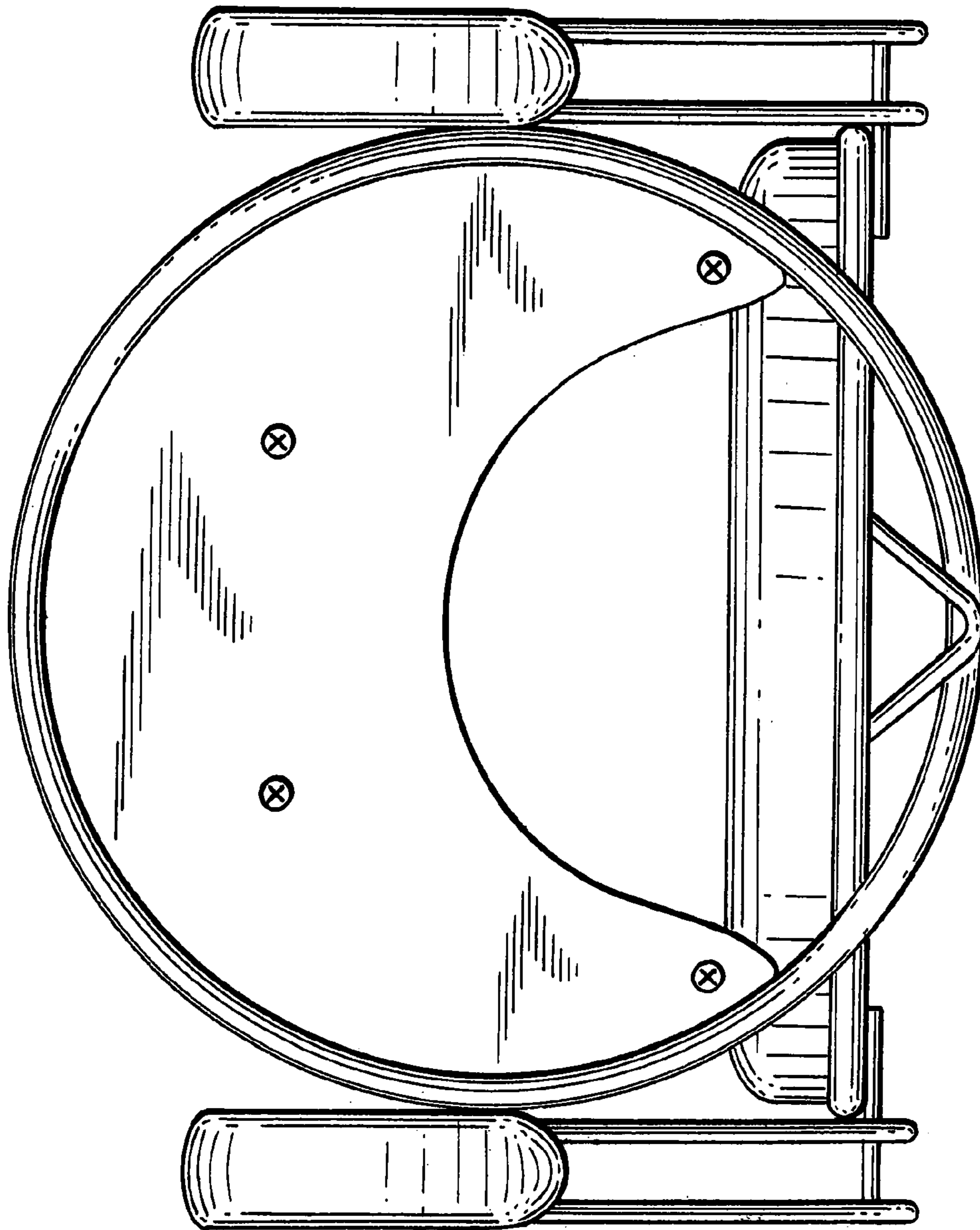


FIG.5

FIG. 6

