

US00D549968S

(12) **United States Design Patent**
Pitot et al.

(10) **Patent No.:** **US D549,968 S**

(45) **Date of Patent:** **** Sep. 4, 2007**

(54) **PORTABLE MIRROR LIGHT**

(76) Inventors: **Bruce Pitot**, 83 Bridle Path La.,
Mahwah, NJ (US) 07430; **Mathew J. Rothman**, 8 Oxford Ct., Nanuet, NY
(US) 10954

(**) Term: **14 Years**

(21) Appl. No.: **29/258,340**

(22) Filed: **Apr. 20, 2006**

(51) **LOC (8) Cl.** **06-07**

(52) **U.S. Cl.** **D6/312**

(58) **Field of Classification Search** D6/300-314,
D6/444; D26/56; D28/78, 64.3; 40/700,
40/711, 720, 714-716, 735, 739, 745, 765,
40/790, 798; 359/838, 871, 879; 248/466,
248/469, 472; D19/65; 362/135

See application file for complete search history.

(56) **References Cited**

U.S. PATENT DOCUMENTS

- 1,774,331 A * 8/1930 Koller 362/135
- D208,233 S * 8/1967 Ely D6/308
- D409,003 S * 5/1999 Scavini D6/312
- D425,313 S * 5/2000 Zadro D6/309
- 6,206,530 B1 * 3/2001 Eberts 359/879
- D442,371 S * 5/2001 Eberts D6/312
- D454,701 S * 3/2002 Eric D6/308

- D463,824 S * 10/2002 Kan D19/65
- D470,665 S * 2/2003 Harris et al. D6/312
- D524,469 S 7/2006 Pitot et al.

* cited by examiner

Primary Examiner—Janice E. Seeger

Assistant Examiner—Sydney R. Buffalow

(74) *Attorney, Agent, or Firm*—Pearne & Gordon LLP

(57) **CLAIM**

The ornamental design for a portable mirror light, as shown and described.

DESCRIPTION

FIG. 1 is a perspective view of the portable mirror light in an open position;

FIG. 2 is a perspective view thereof in a closed position;

FIG. 3 is a front view thereof in an open position;

FIG. 4 is a top view thereof in an open position;

FIG. 5 is a left side view thereof in an open position;

FIG. 6 is a back view thereof in an open position;

FIG. 7 is a right side view thereof in an open position; and,

FIG. 8 is a bottom view thereof in an open position.

The broken lines shown on the drawings are for illustrative purposes only and form no part of the claimed design.

1 Claim, 3 Drawing Sheets

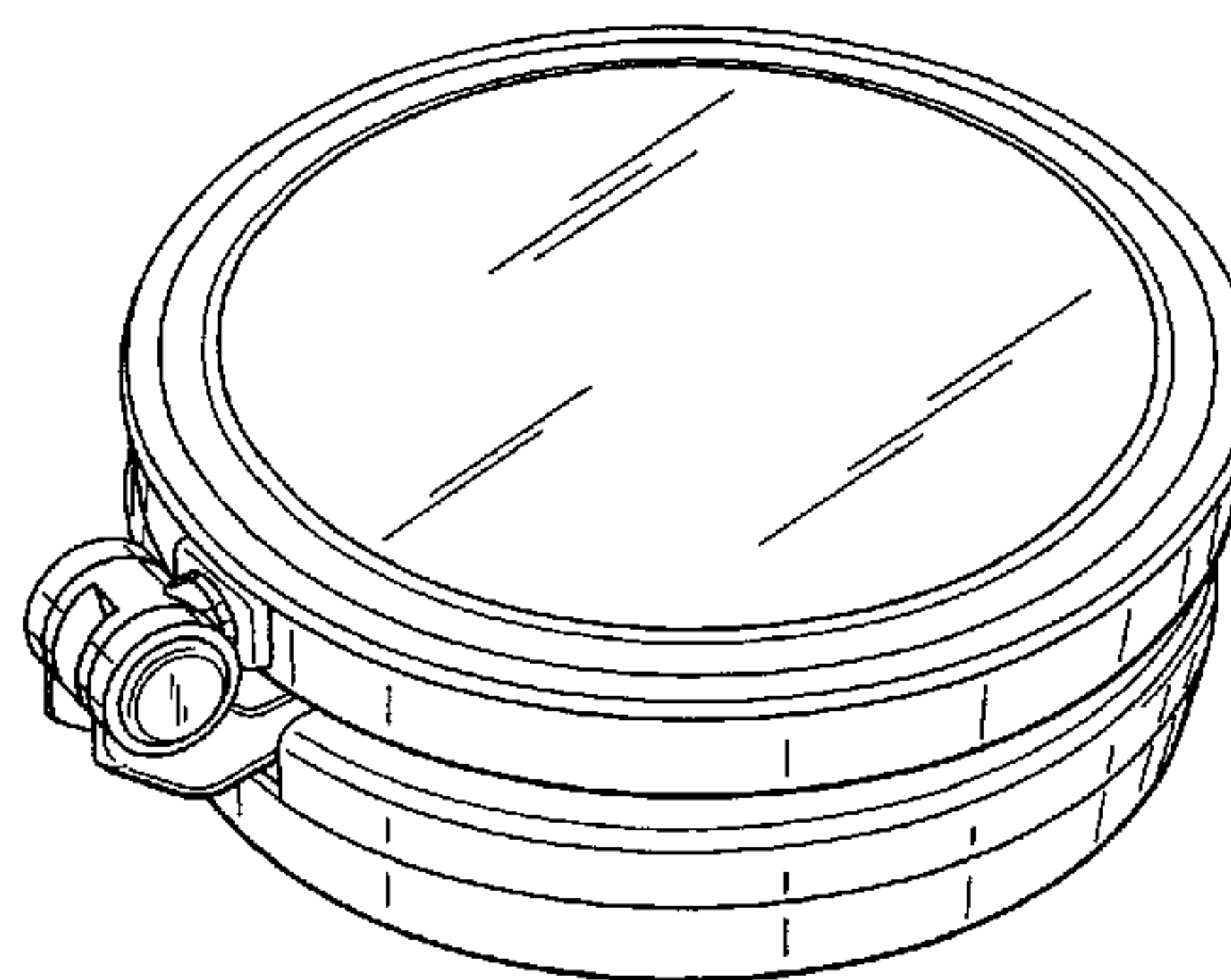
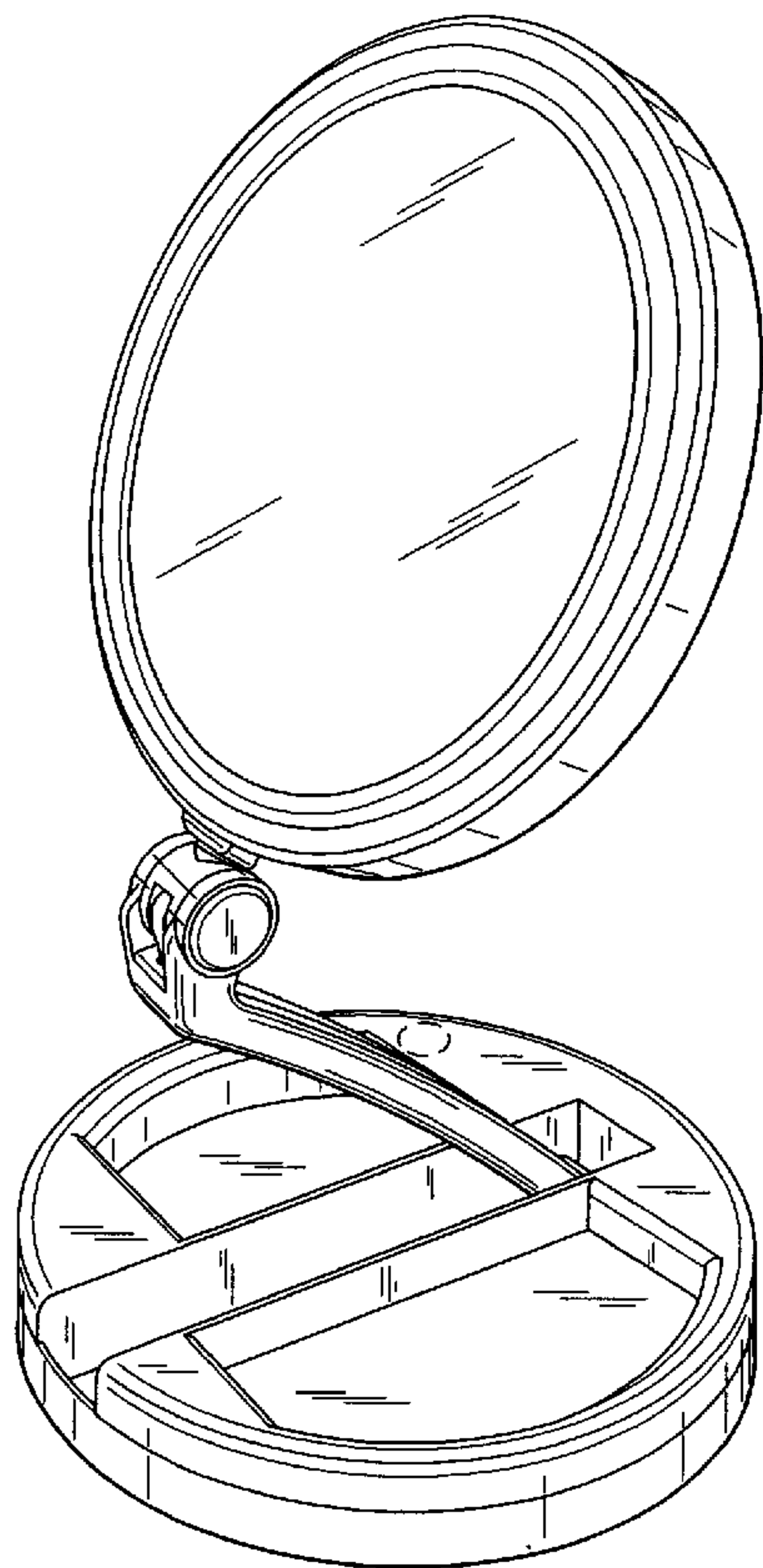


FIG. 1

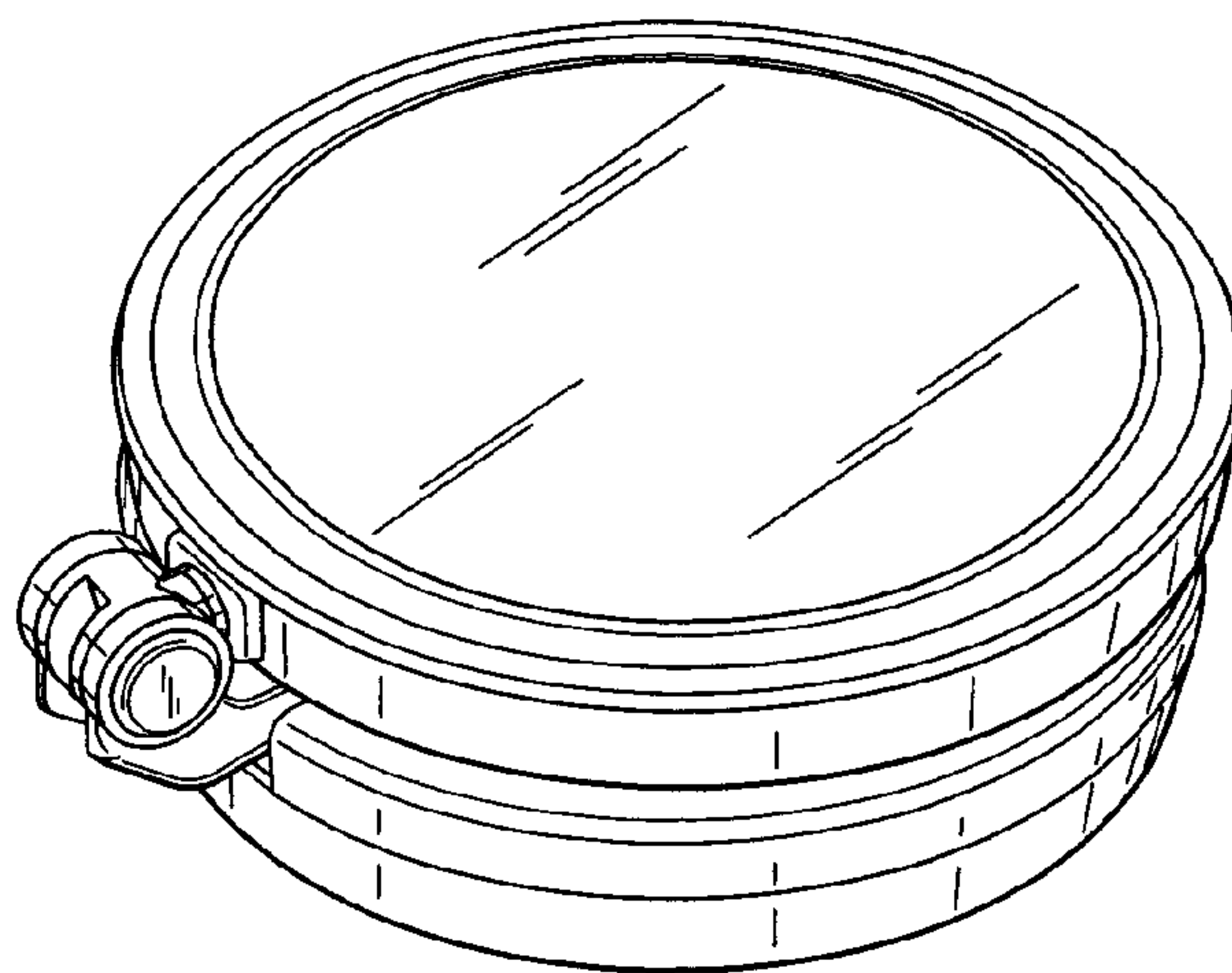
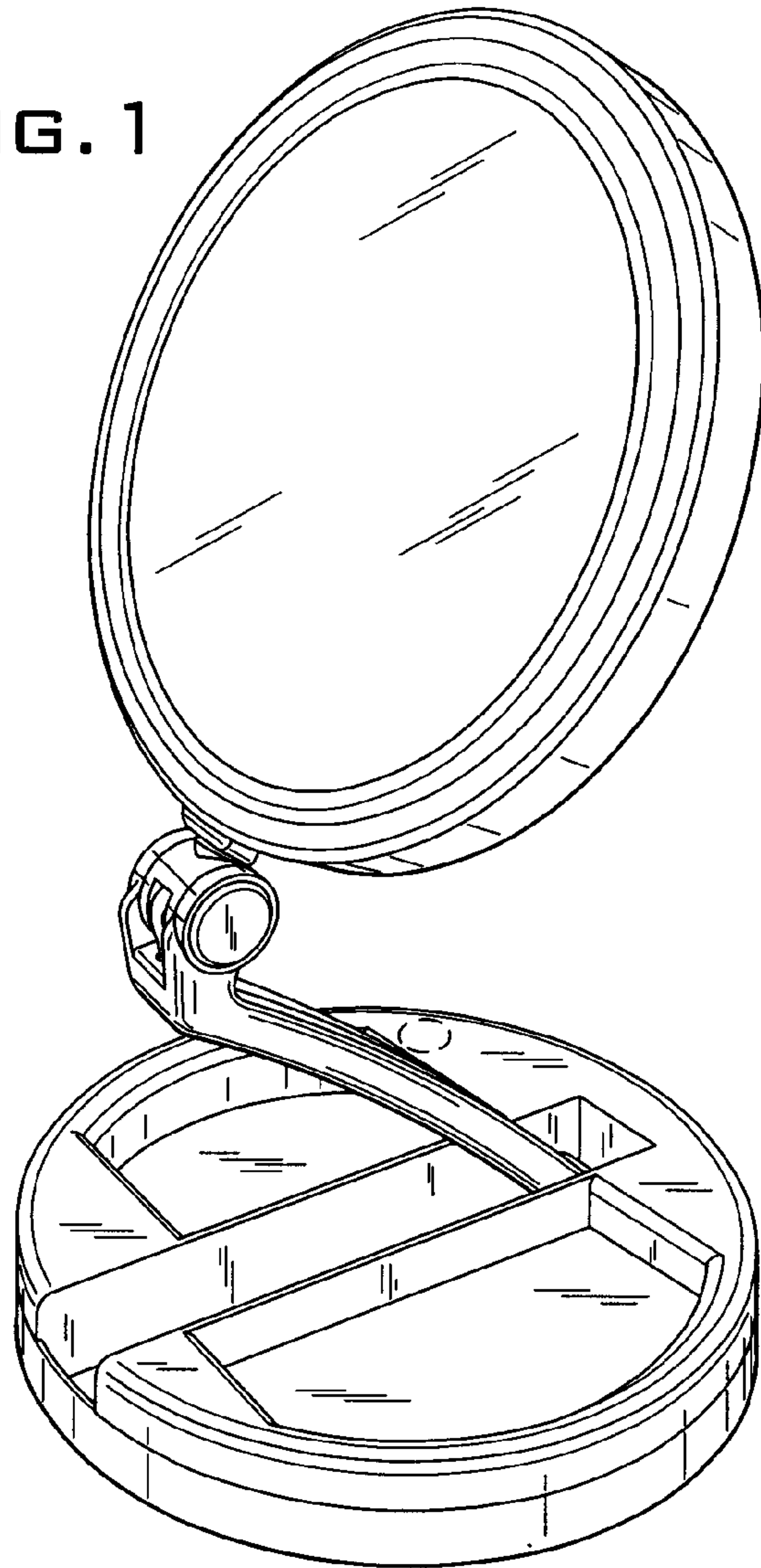


FIG. 2

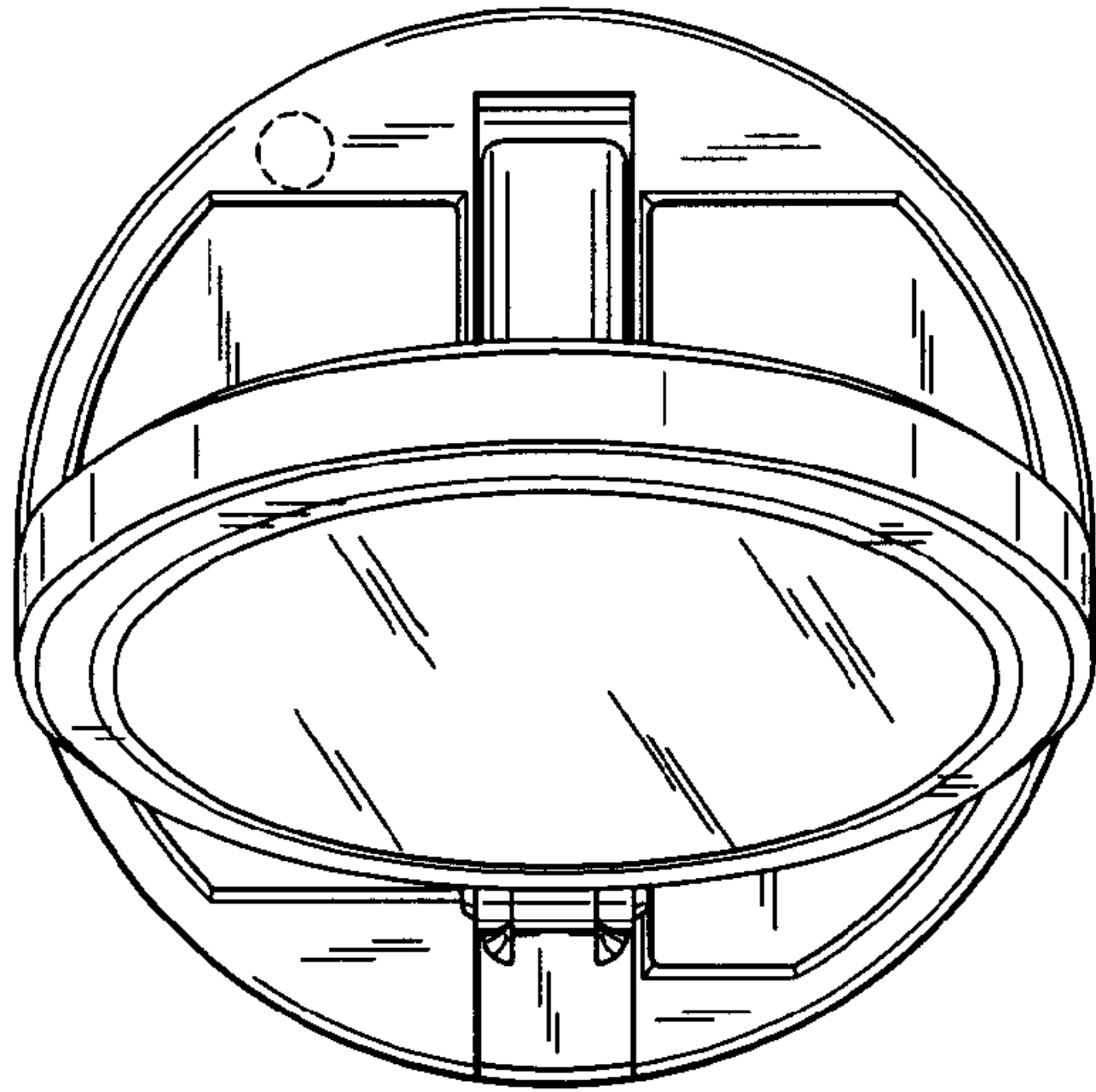


FIG. 4

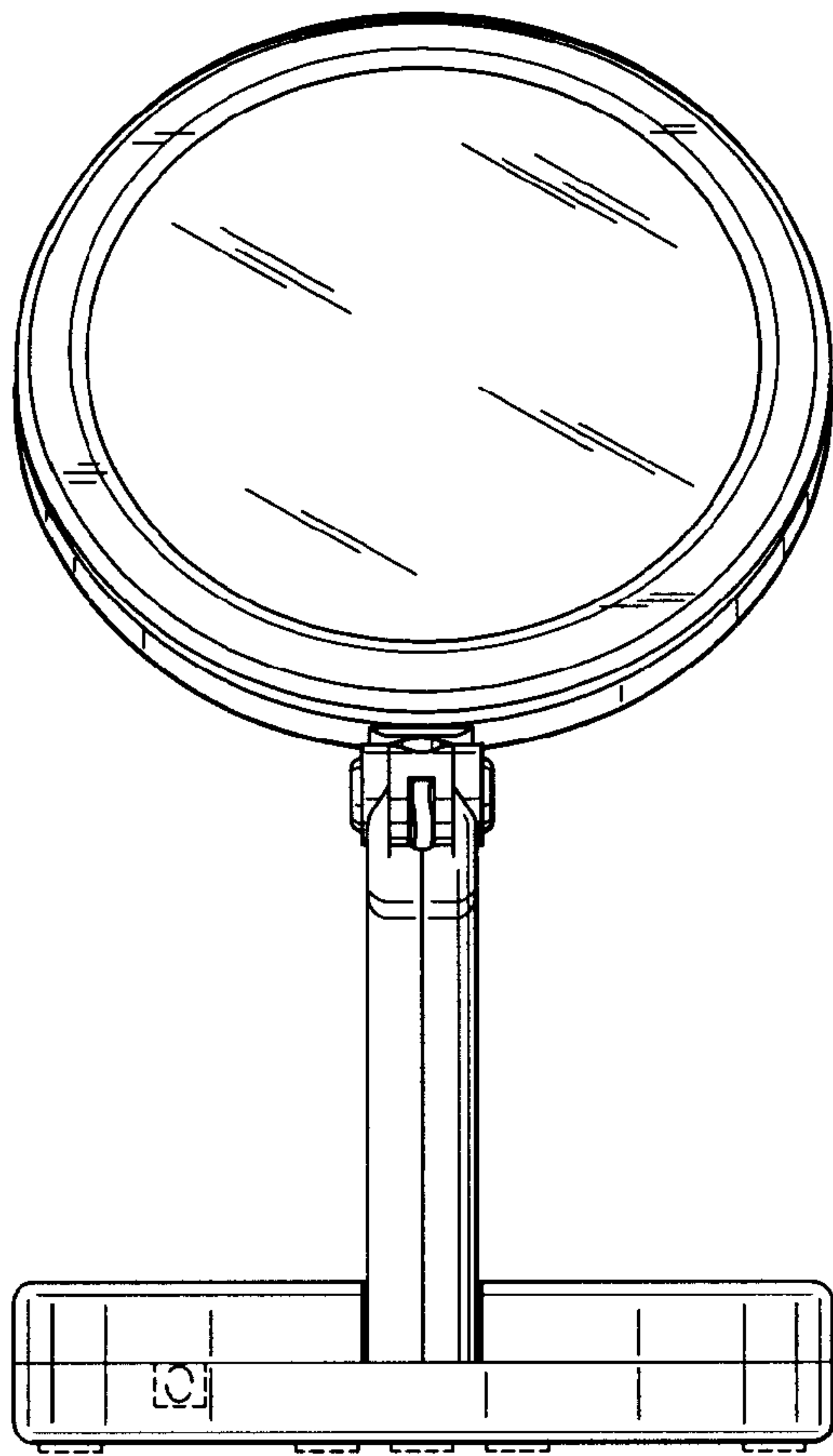


FIG. 3

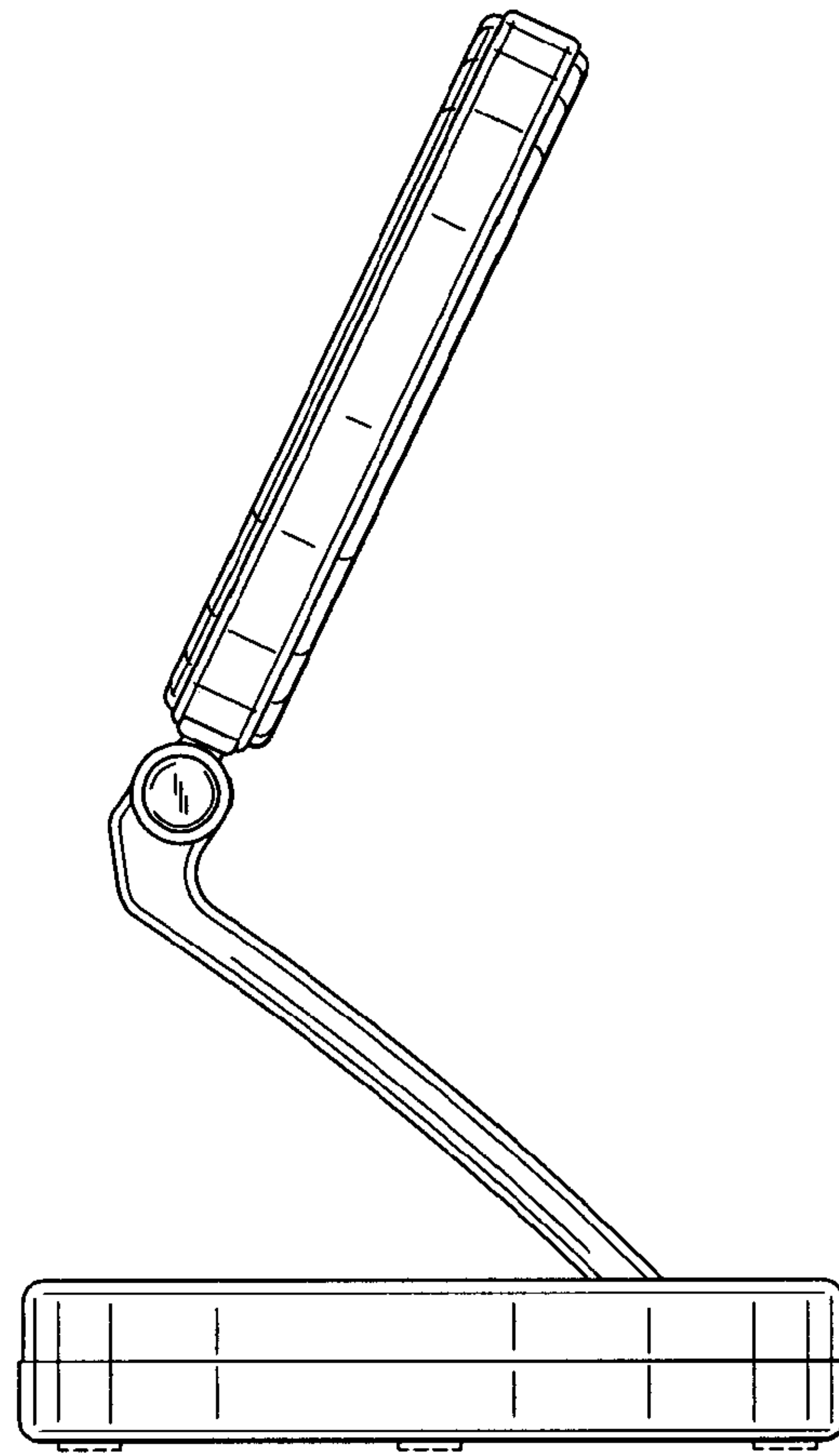


FIG. 5

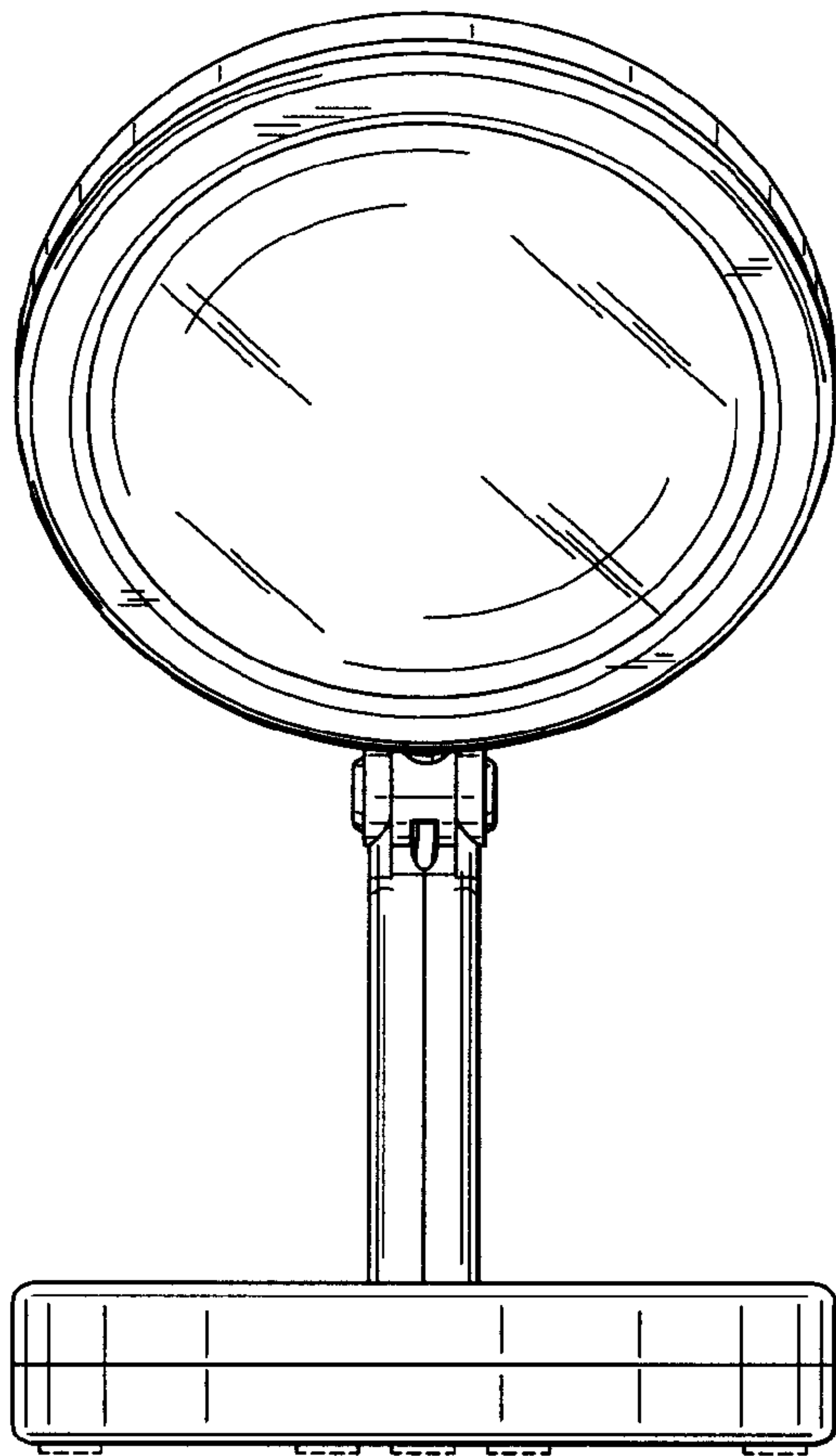


FIG. 6

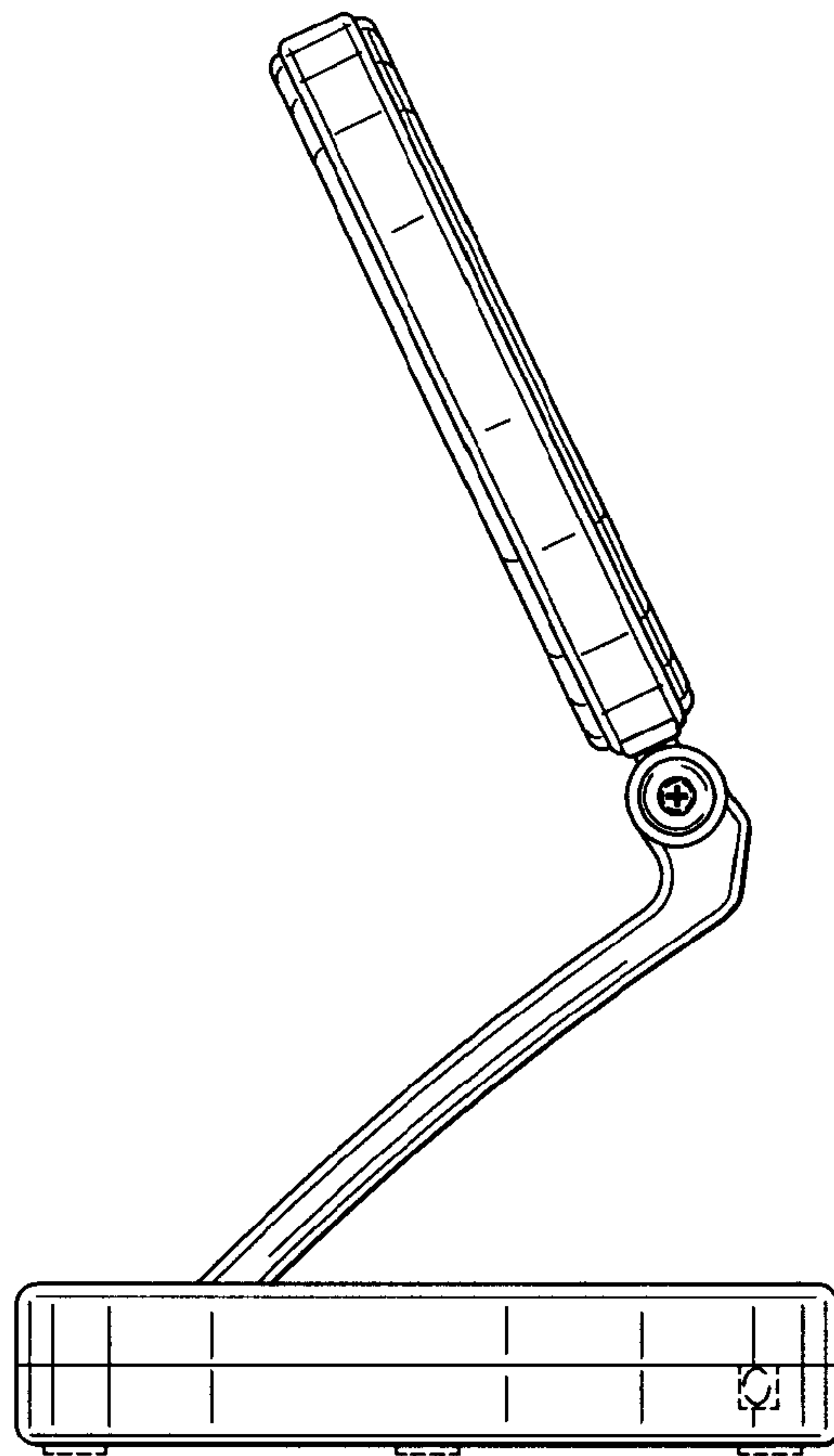


FIG. 7

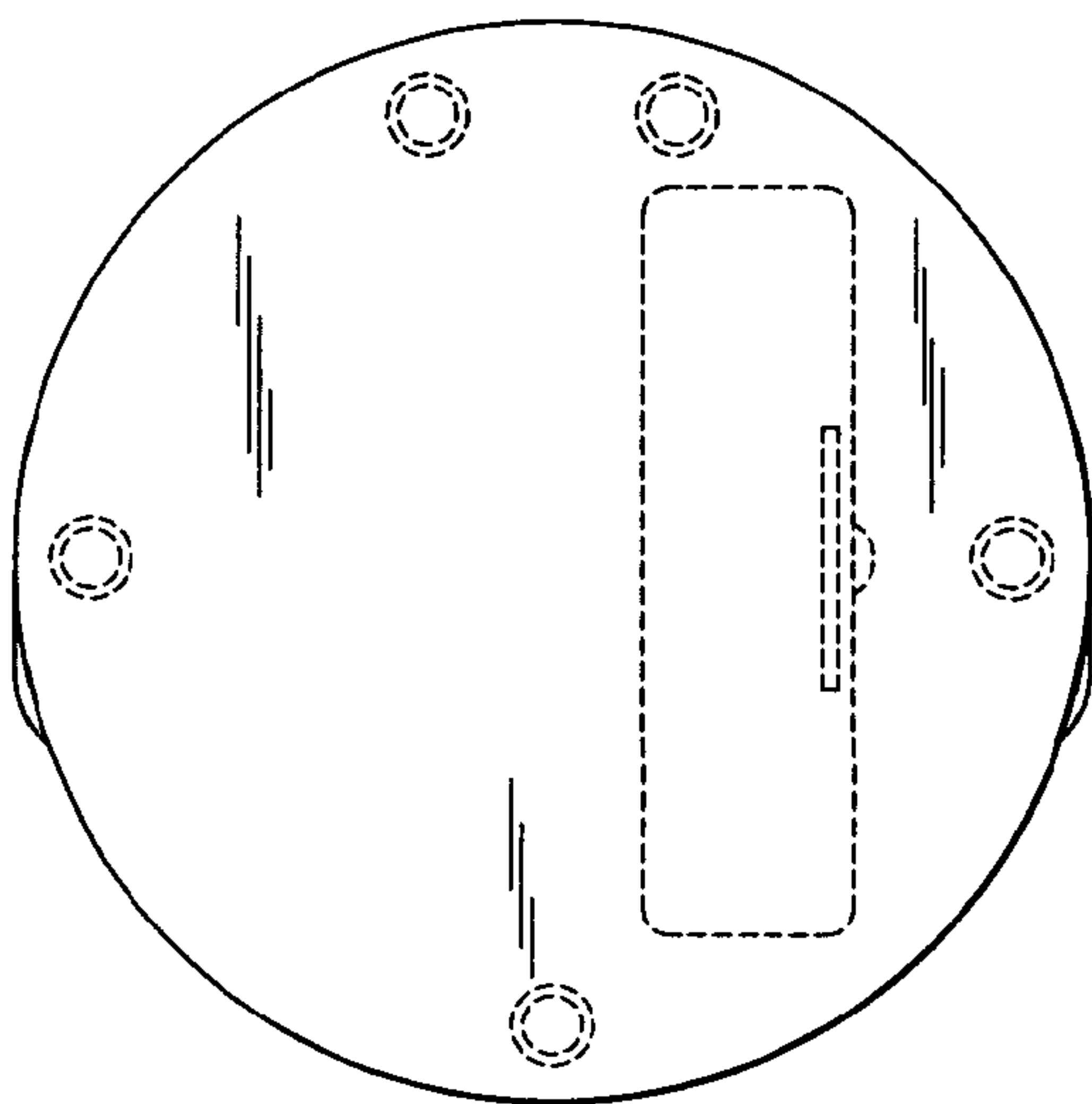


FIG. 8