

US00D549966S

(12) **United States Design Patent**
Caldwell

(10) **Patent No.:** **US D549,966 S**

(45) **Date of Patent:** **** Sep. 4, 2007**

(54) **PAINTING TOOL**

5,386,611 A 2/1995 Kim 15/230.11

(76) Inventor: **Michael Caldwell**, 3905 S. Norton Ave., Los Angeles, CA (US) 90008

FOREIGN PATENT DOCUMENTS

(**) Term: **14 Years**

FR 1390356 * 1/1965
FR 1427399 * 12/1965
FR 2777481 A1 * 10/1999

(21) Appl. No.: **29/214,829**

* cited by examiner

(22) Filed: **Oct. 8, 2004**

Primary Examiner—Alan P. Douglas
Assistant Examiner—Lavone D. Tabor

(51) **LOC (8) Cl.** **08-05**

(52) **U.S. Cl.** **D4/120; D4/122**

(58) **Field of Classification Search** D4/119,
D4/120, 122, 138; D7/401.2, 683, 686, 687;
15/210.1, 213, 214, 220.3, 230.11, 244.1;
492/13, 16, 17; 16/430, 431, 436; 294/11,
294/99.2

(74) *Attorney, Agent, or Firm*—Goldstein Law Offices, P.C.

See application file for complete search history.

(57) **CLAIM**

(56) **References Cited**

The ornamental design for a painting tool, as shown and described.

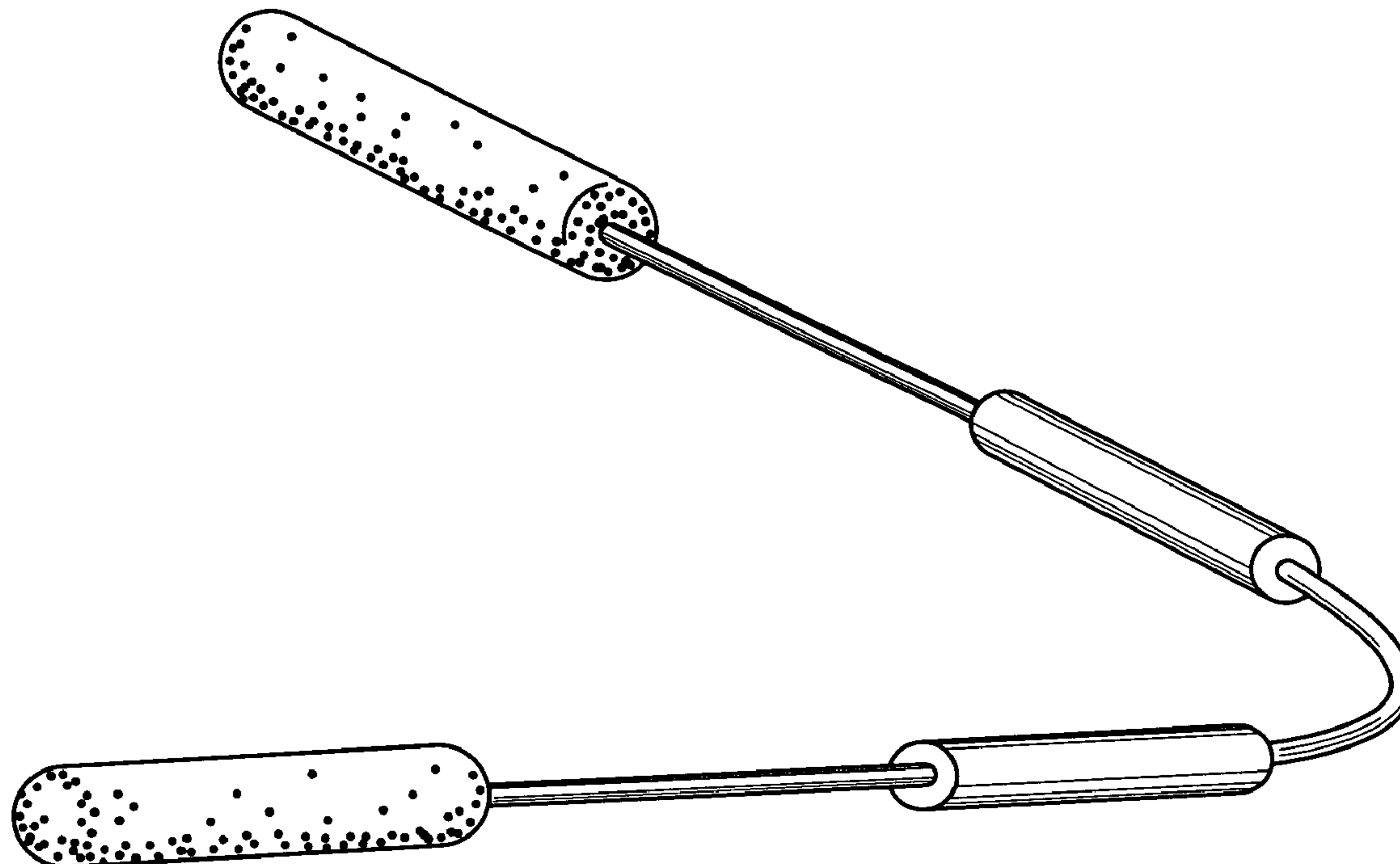
U.S. PATENT DOCUMENTS

745,882 A * 12/1903 Miller 294/11
2,799,884 A 7/1957 Bedford 15/230
2,848,730 A 8/1958 Billings 15/230
3,358,312 A 12/1967 Parr 15/230.11
4,335,484 A 6/1982 Ridge et al. 15/230
4,644,604 A 2/1987 Kierce 15/244
5,035,022 A 7/1991 Iuliano et al. 15/118

DESCRIPTION

FIG. 1 is a perspective view of the painting tool in full lines.
FIG. 2 is a front elevational view of the painting tool.
FIG. 3 is a rear elevational view thereof.
FIG. 4 is a right side elevational view thereof.
FIG. 5 is a left side elevational view thereof.
FIG. 6 is a top plan view thereof; and,
FIG. 7 is a bottom plan view thereof.

1 Claim, 4 Drawing Sheets



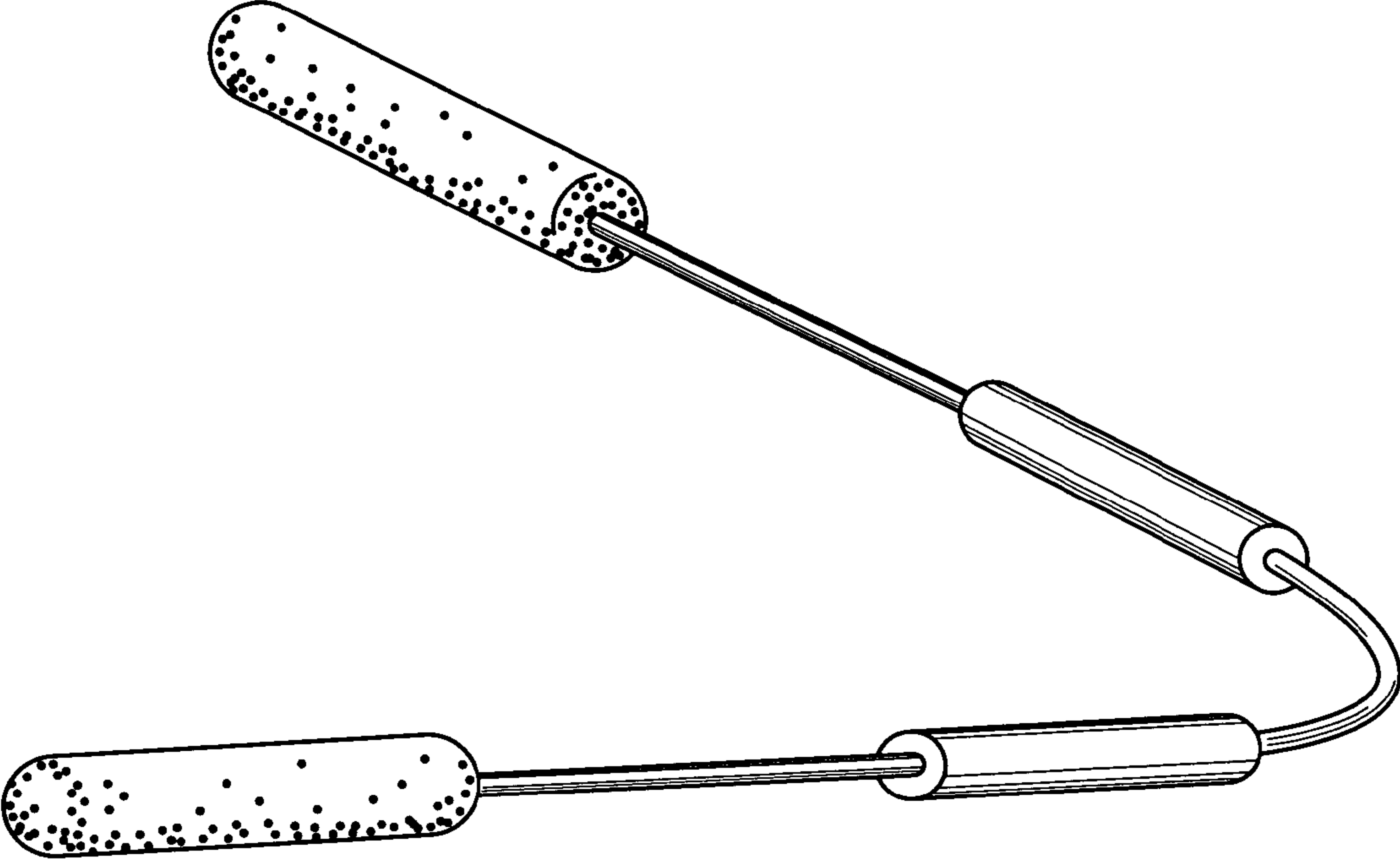


FIG. 1

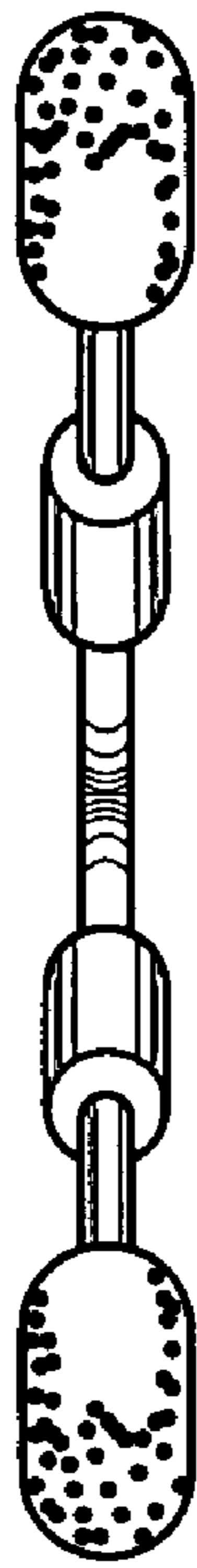


FIG. 2

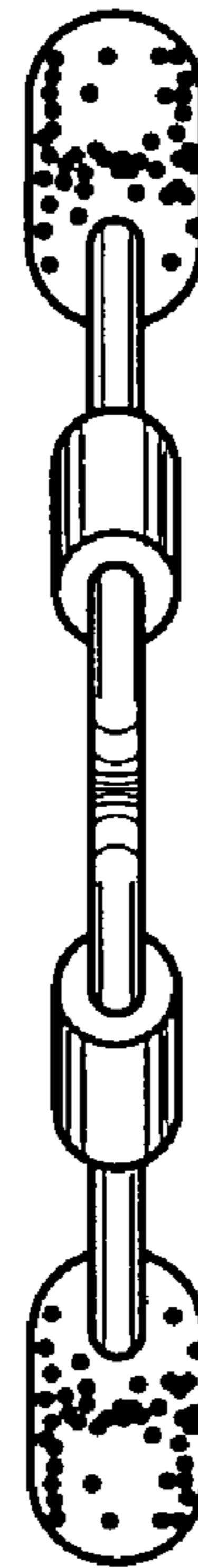


FIG. 3

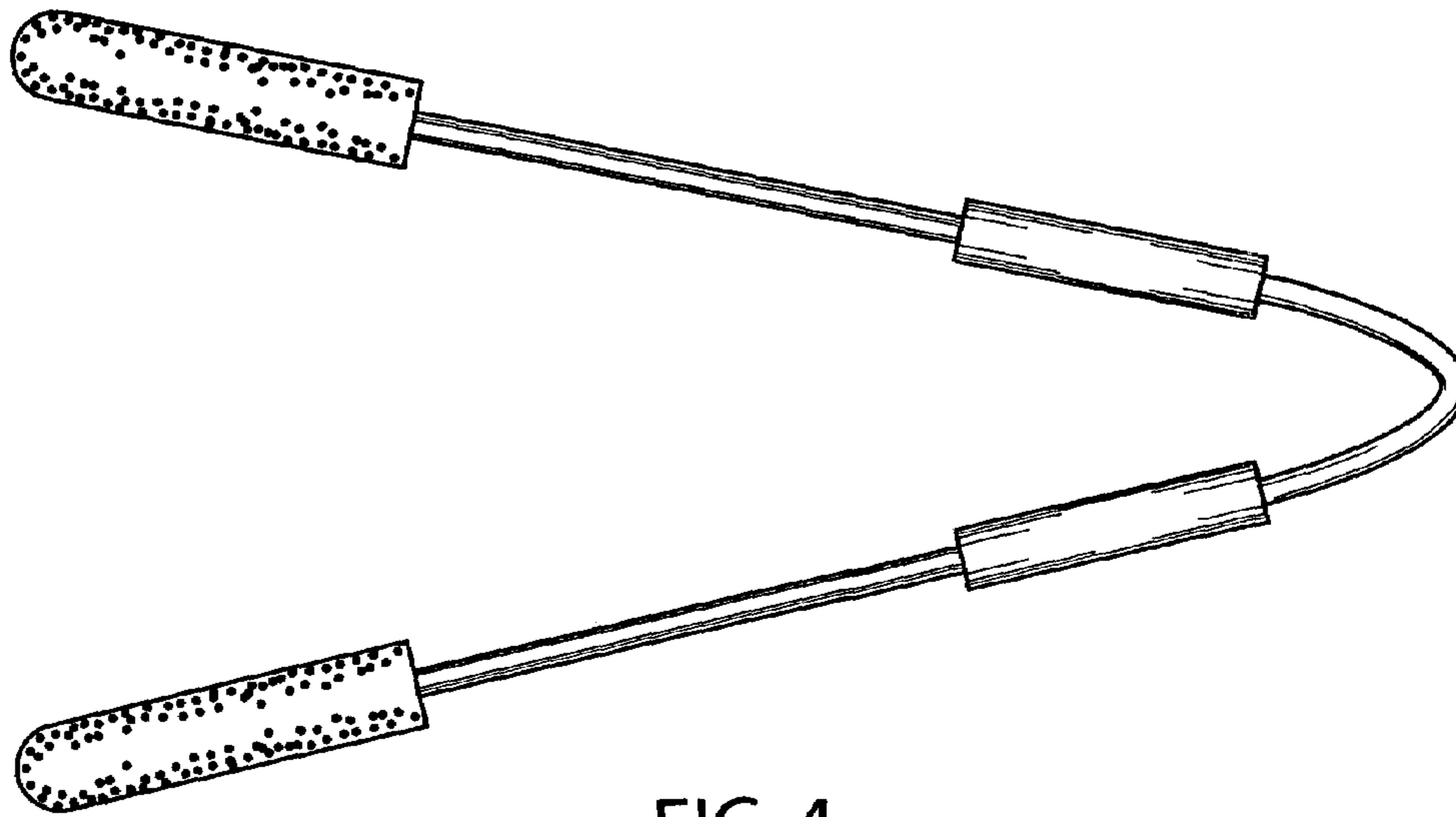


FIG. 4

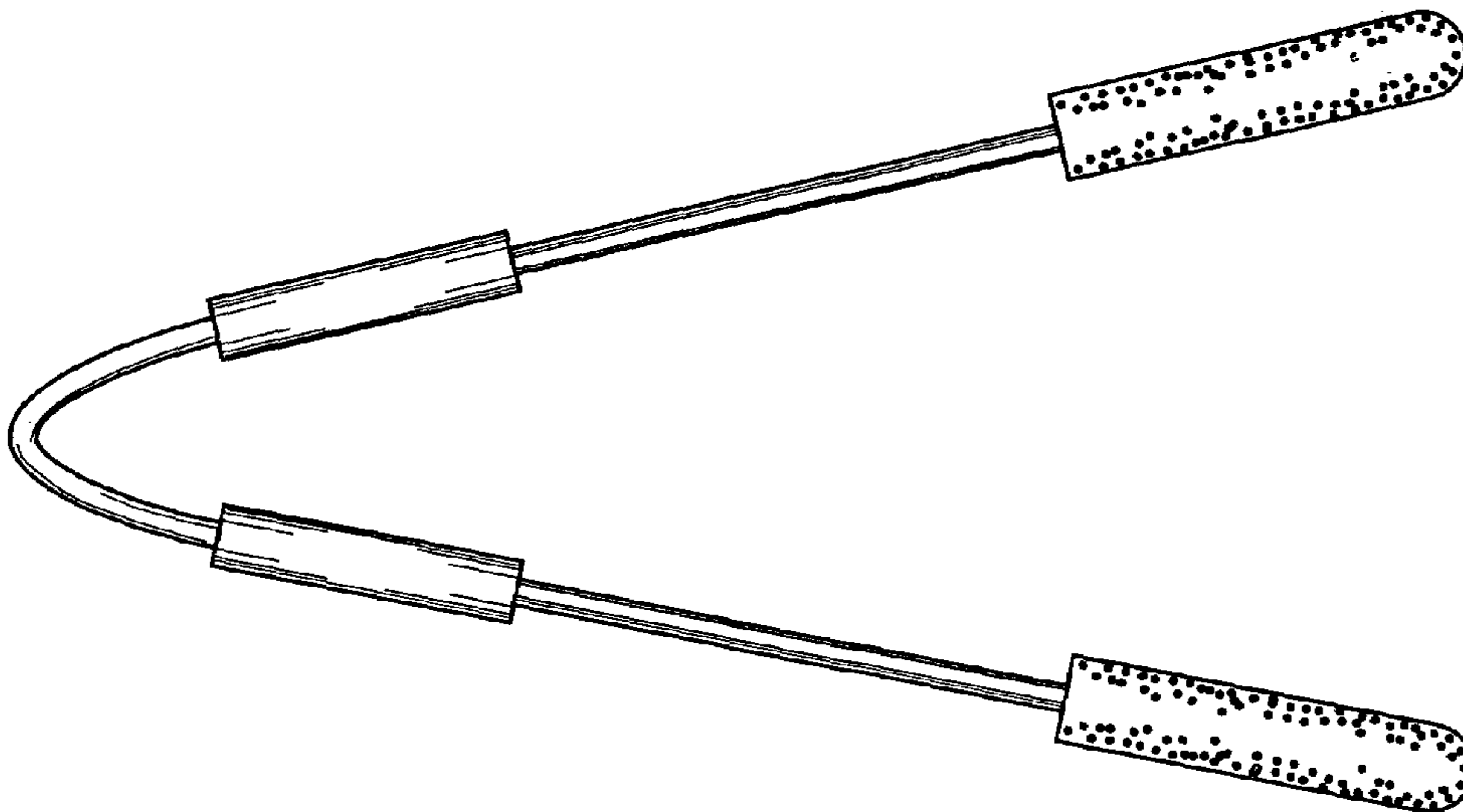


FIG. 5

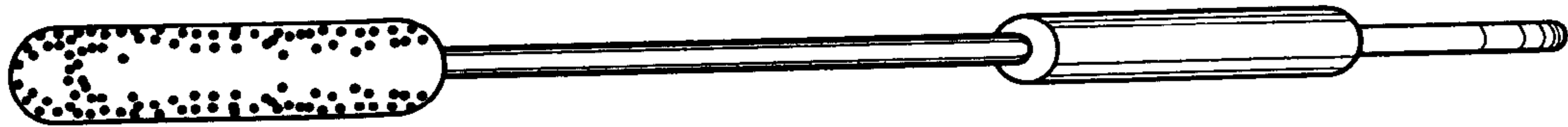


FIG. 6

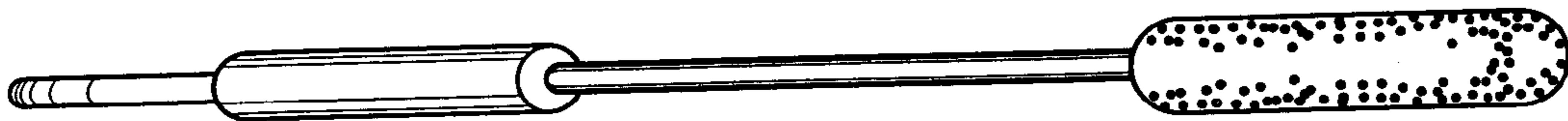


FIG. 7