

US00D549963S

(12) **United States Design Patent**
Gonzalez

(10) **Patent No.:** **US D549,963 S**

(45) **Date of Patent:** **** Sep. 4, 2007**

(54) **HANDBAG**

(75) Inventor: **Alvaro Gonzalez**, Florence (IT)

(73) Assignee: **J. Choo (Jersey) Limited**, St. Helier, Jersey (GB)

(**) Term: **14 Years**

(21) Appl. No.: **29/255,752**

(22) Filed: **Mar. 9, 2006**

(30) **Foreign Application Priority Data**

Sep. 9, 2005 (EM) 000401484-0023

(51) **LOC (8) Cl.** **03-01**

(52) **U.S. Cl.** **D3/324**

(58) **Field of Classification Search** D3/232,
D3/234, 238, 240, 241, 242, 243, 244, 245,
D3/246, 303, 318, 319, 321, 322, 323, 324,
D3/325, 326, 900, 902; 150/100, 107, 108,
150/110, 111, 118, 119, 120; 190/100, 108,
190/109, 112, 115, 900, 902, 903; 383/6,
383/25, 30, 31, 38, 42, 70, 71, 72, 74, 75,
383/76, 78, 84, 117, 907

See application file for complete search history.

(56) **References Cited**

U.S. PATENT DOCUMENTS

D501,998 S * 2/2005 Gonzalez D3/326
D502,805 S 3/2005 Gonzalez
D502,813 S 3/2005 Gonzalez

D507,403 S * 7/2005 Hanley D3/243
D507,882 S * 8/2005 Gonzalez D3/326
D508,769 S * 8/2005 Fendi D3/243
D519,732 S * 5/2006 Gonzalez D3/243
D529,281 S * 10/2006 Gonzalez D3/243

* cited by examiner

Primary Examiner—Louis S. Zarfaz

Assistant Examiner—Kathleen Sims

(74) *Attorney, Agent, or Firm*—Fross Zelnick Lehrman & Zissu, P.C.; Lawrence E. Apolzon, Esq.

(57) **CLAIM**

The ornamental design for a handbag, as shown and described.

DESCRIPTION

FIG. 1 is a front perspective view of a handbag showing my handbag design;

FIG. 2 is a front view of the handbag;

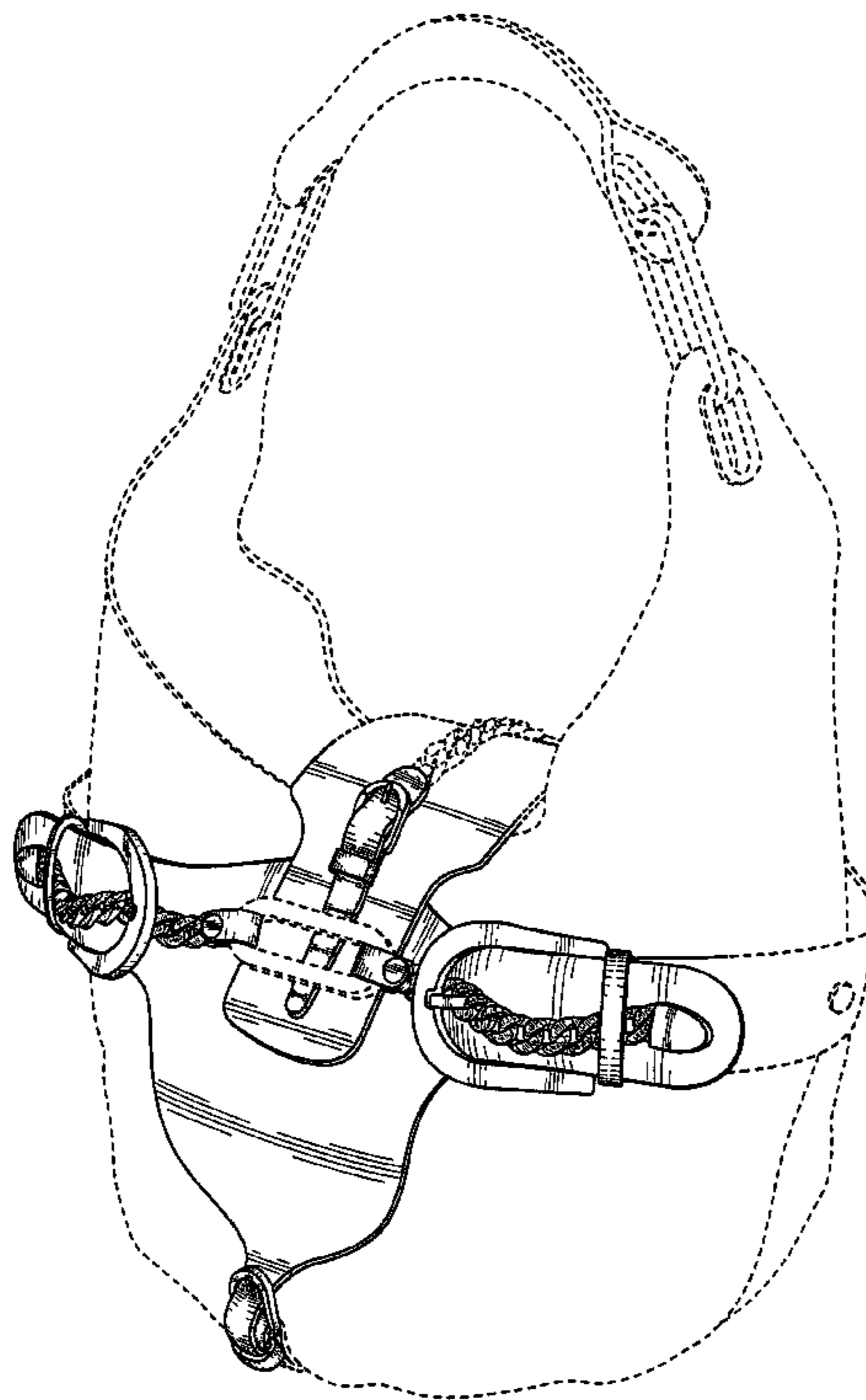
FIG. 3 is a left side view of the handbag with the right side view being a mirror image;

FIG. 4 is a top view of the handbag; and,

FIG. 5 is a bottom view of the handbag.

The broken line showing of the handles, grommets, buckles, portion of the chains, portion of the closure flap, and portions of the bag structure is for illustrative purposes only and forms no part of the claimed design.

1 Claim, 5 Drawing Sheets



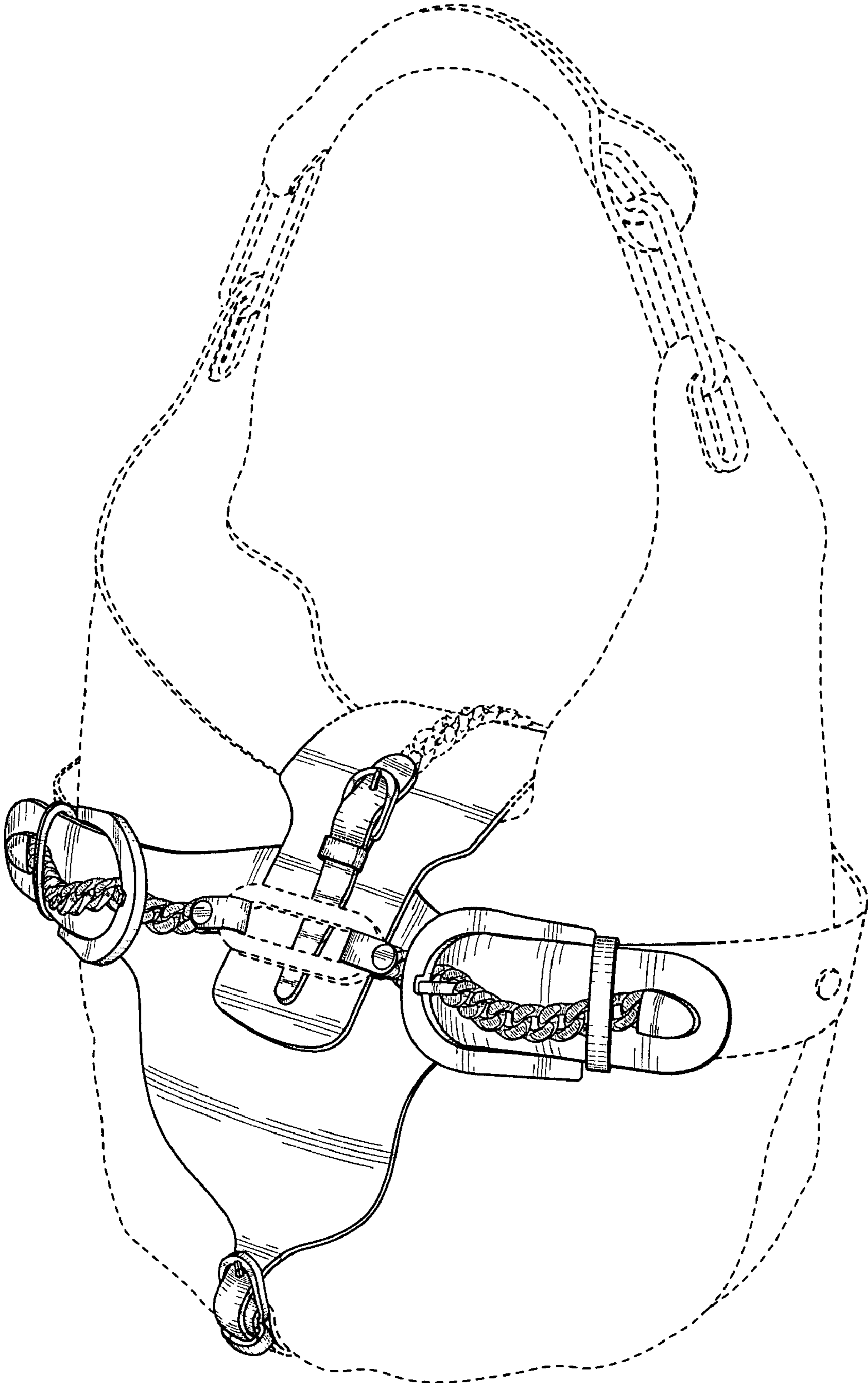


FIG. 1

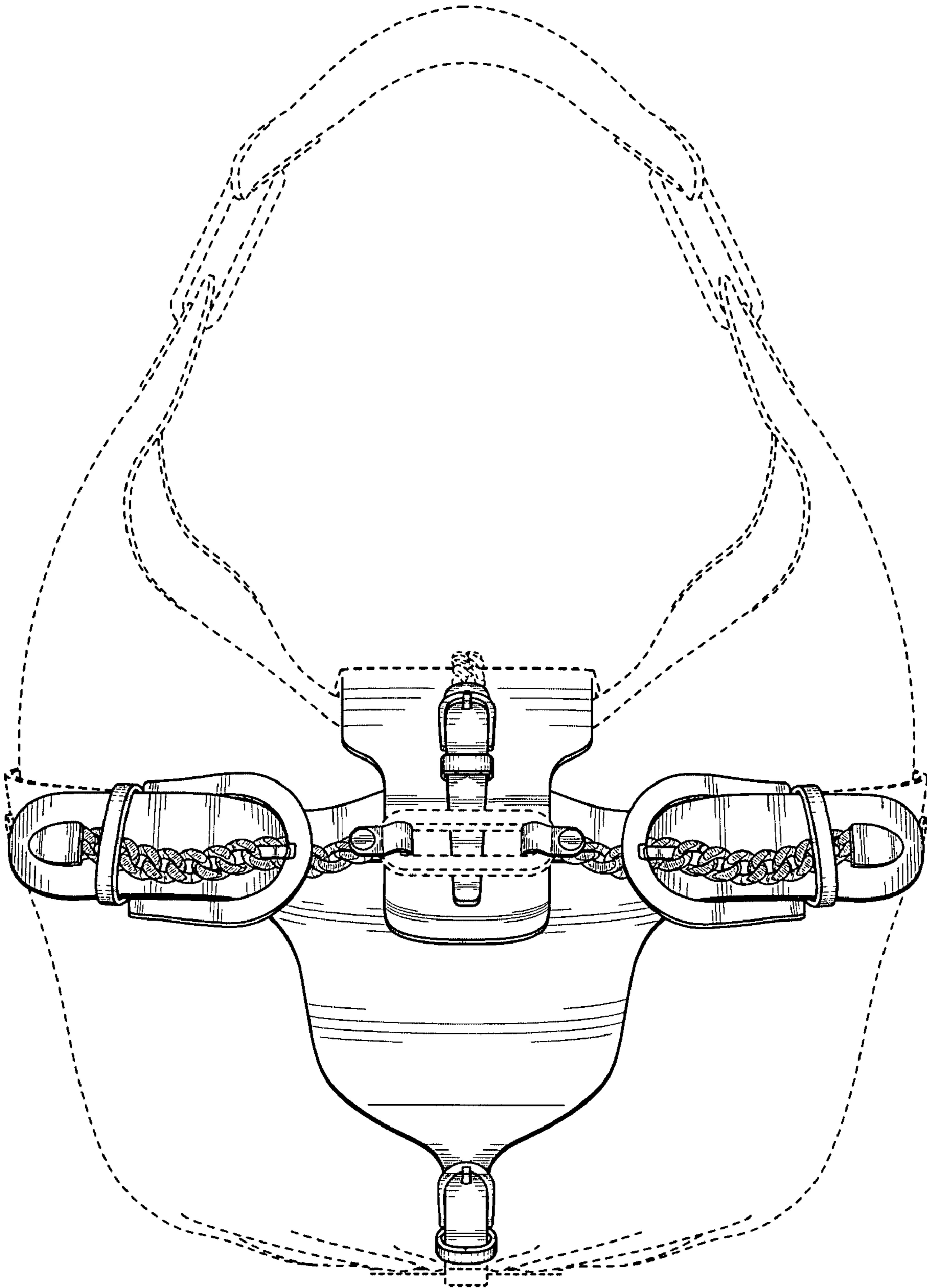


FIG. 2

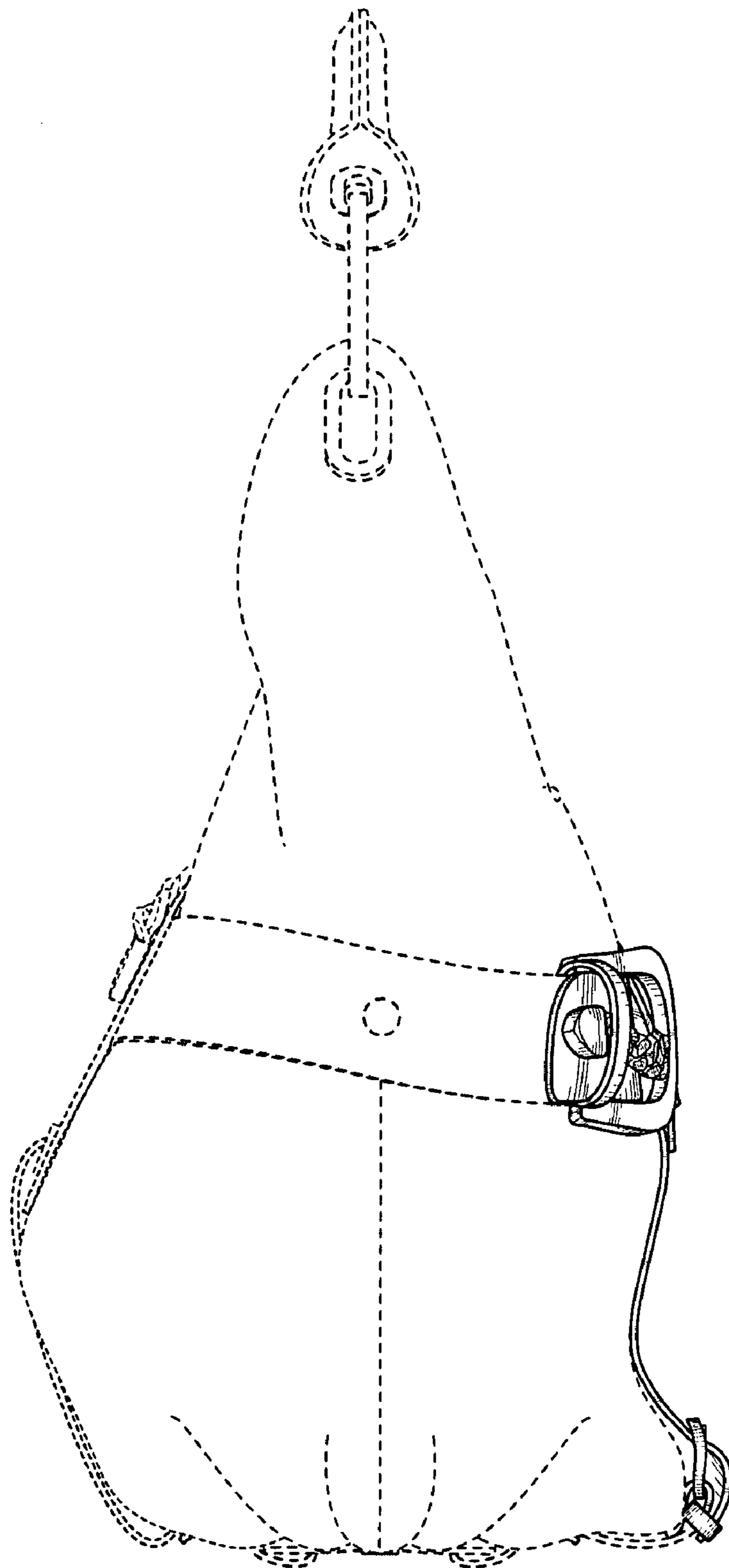


FIG. 3

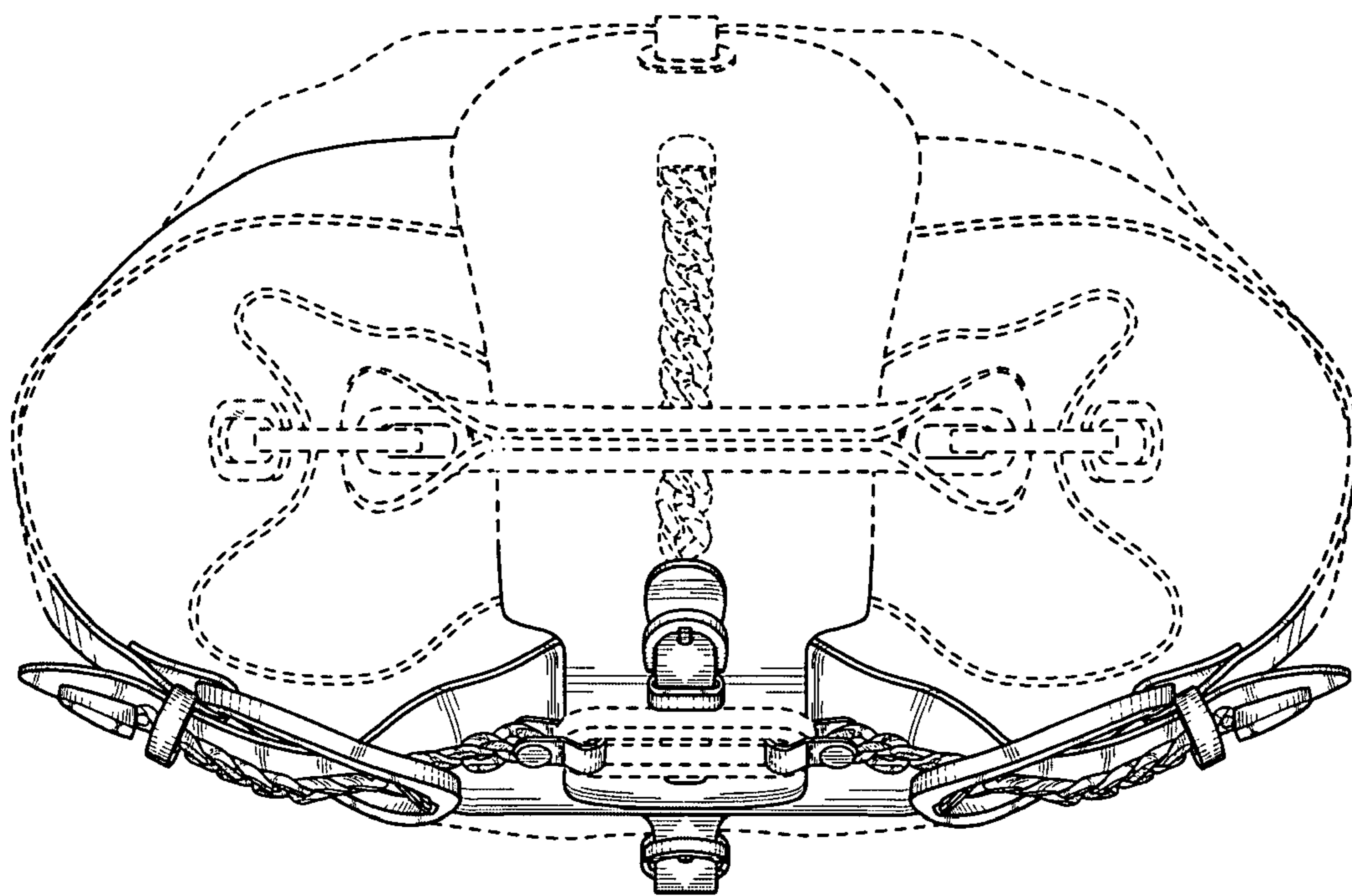


FIG. 4

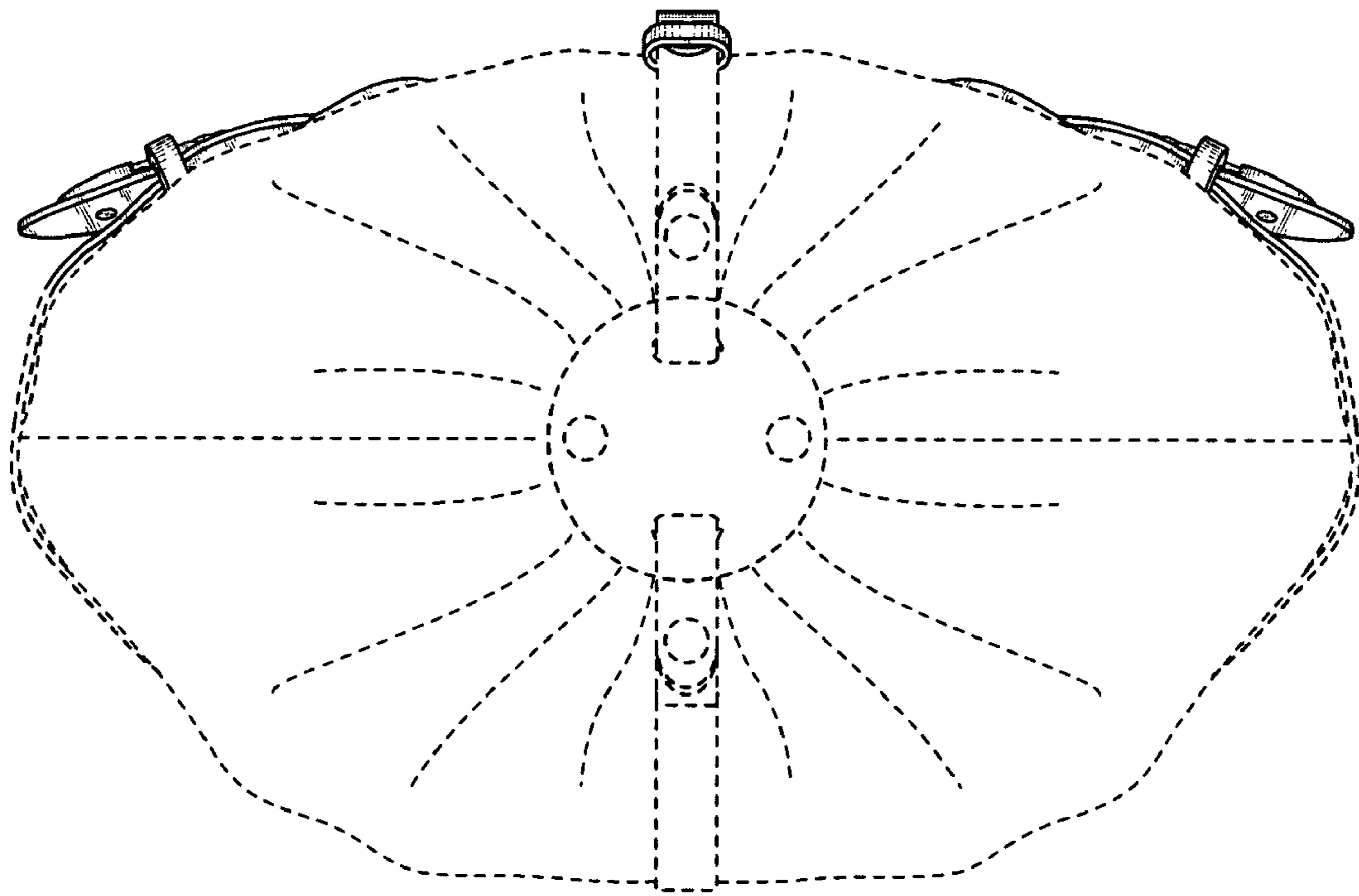


FIG. 5