



US00D549959S

(12) **United States Design Patent**
Wood

(10) **Patent No.:** **US D549,959 S**

(45) **Date of Patent:** **** Sep. 4, 2007**

(54) **SMALL TOOLS POUCH ORGANIZER**

(57) **CLAIM**

(76) **Inventor:** **Johnny Phillip Wood**, 4760 Key Largo Dr., Titusville, FL (US) 32780

I claim; the ornamental design for a small tools pouch organizer, as shown and described.

(**) **Term:** **14 Years**

DESCRIPTION

(21) **Appl. No.:** **29/266,555**

FIG. 1 is a perspective view of a small tools pouch organizer showing my new design;

(22) **Filed:** **Sep. 22, 2006**

FIG. 2 is a front elevation view thereof;

(51) **LOC (8) Cl.** **03-01**

FIG. 3 is a rear elevation view thereof;

(52) **U.S. Cl.** **D3/228**

FIG. 4 is a top view with the sections closed thereof;

(58) **Field of Classification Search** D3/228,
D3/863; D2/860, 861, 864; 2/48, 51-52;
224/255, 583, 682, 904

FIG. 5 is a top view with the sections open thereof; and,

See application file for complete search history.

FIG. 6 is a left end elevation view thereof, the right end being a mirror image.

The bottom of the small tools pouch organizer is flat and unornamented.

(56) **References Cited**

The small tools pouch organizer is shown with broken lines for illustrative purpose only and forms no part of the claimed design.

U.S. PATENT DOCUMENTS

The small tools pouch organizer can be worn in different options as shown in FIG. 3, with the attached tie strap, or on a separate belt, or on a regular belt worn with the normal clothing.

D436,243 S *	1/2001	Hoy	D2/864
D461,945 S *	8/2002	Byrd	D2/864
D480,868 S *	10/2003	Fulbright	D3/228
D528,785 S *	9/2006	Fraga	D3/228

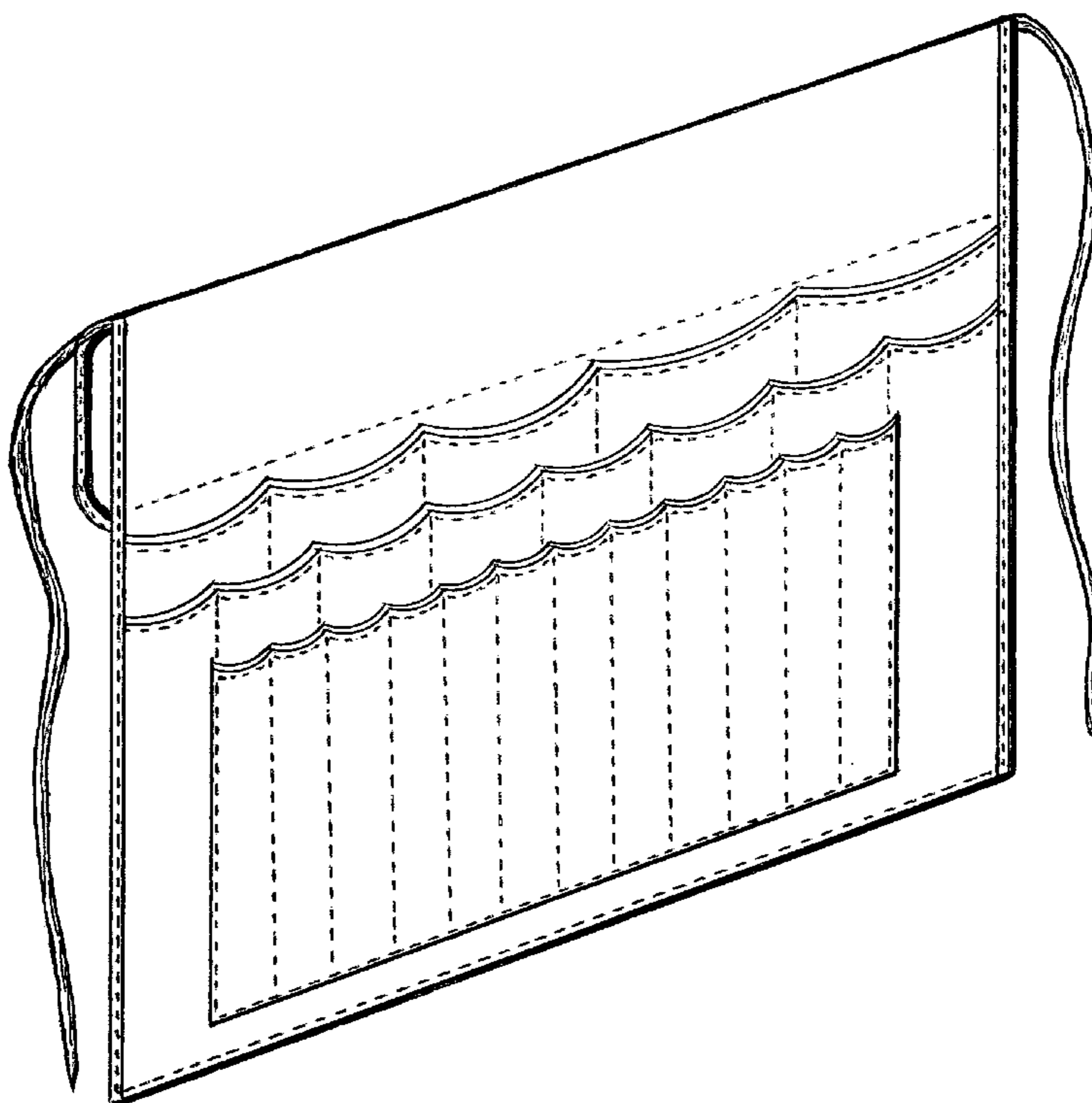
The rectangular area in FIG. 5 with the fabric symbol represents hook and loop tape for closure.

* cited by examiner

The small tools pouch organizer is made from cloth.

Primary Examiner—Catherine R. Oliver

1 Claim, 4 Drawing Sheets



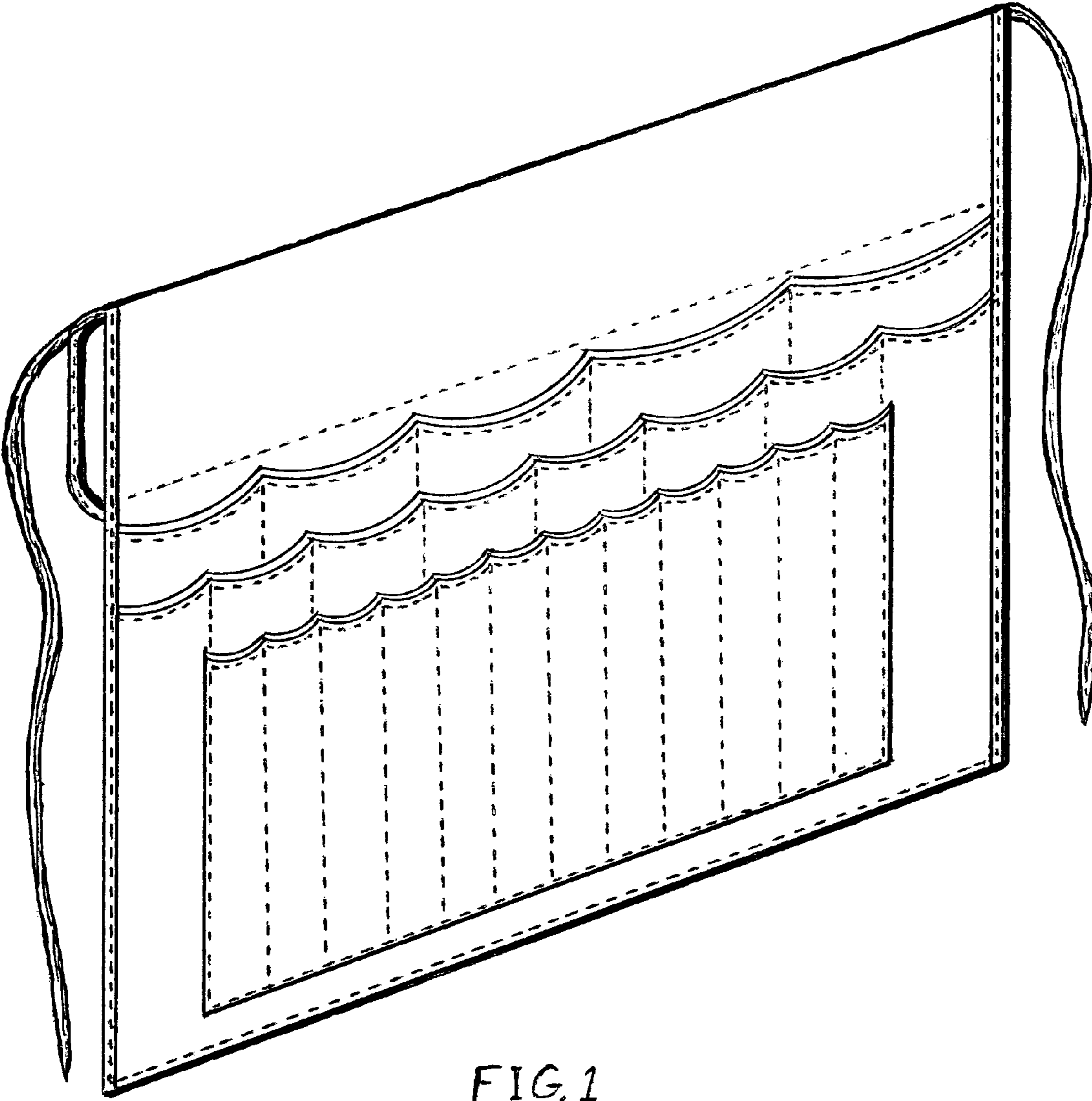


FIG. 1

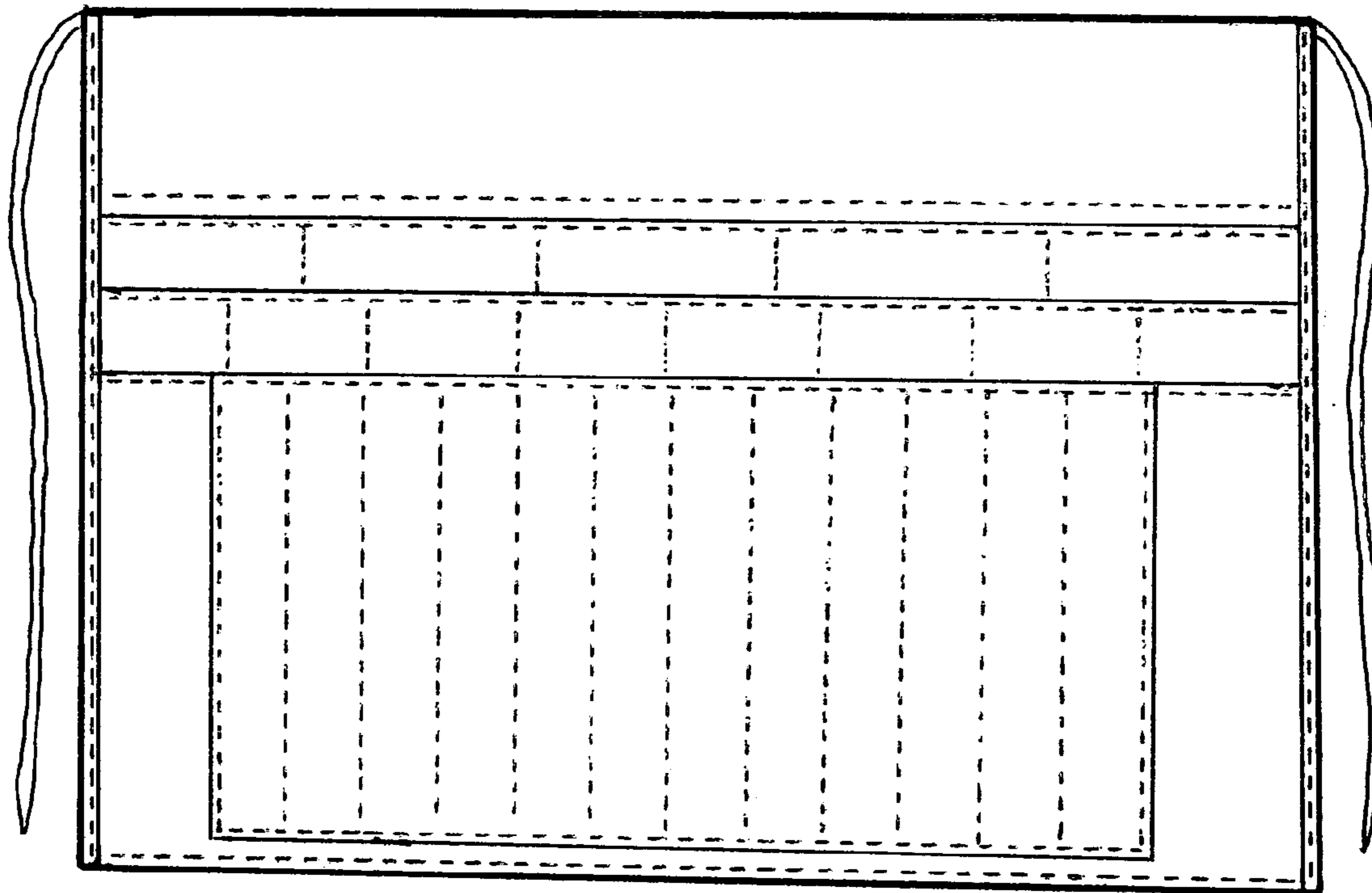


FIG. 2

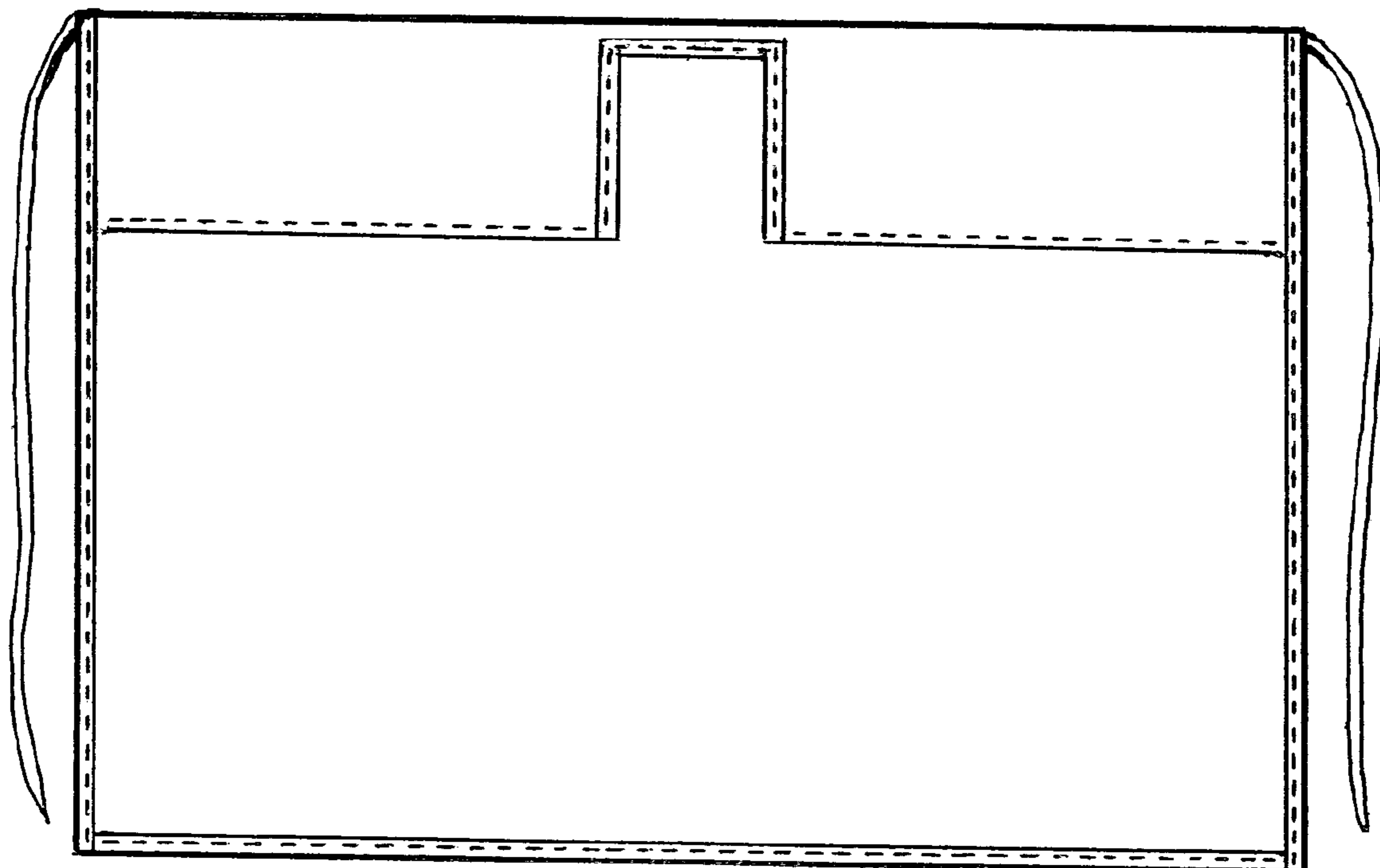


FIG. 3

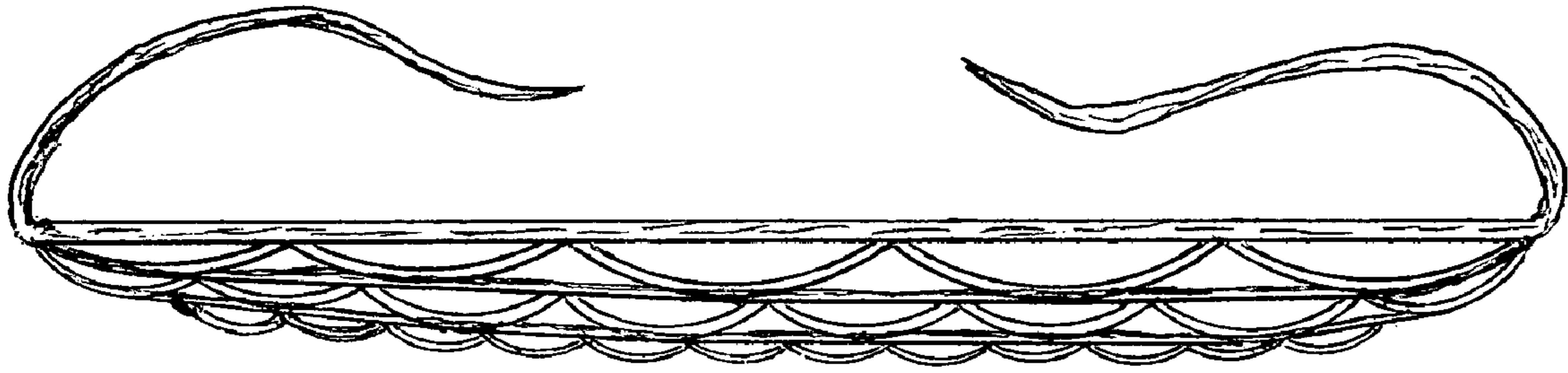


FIG. 4

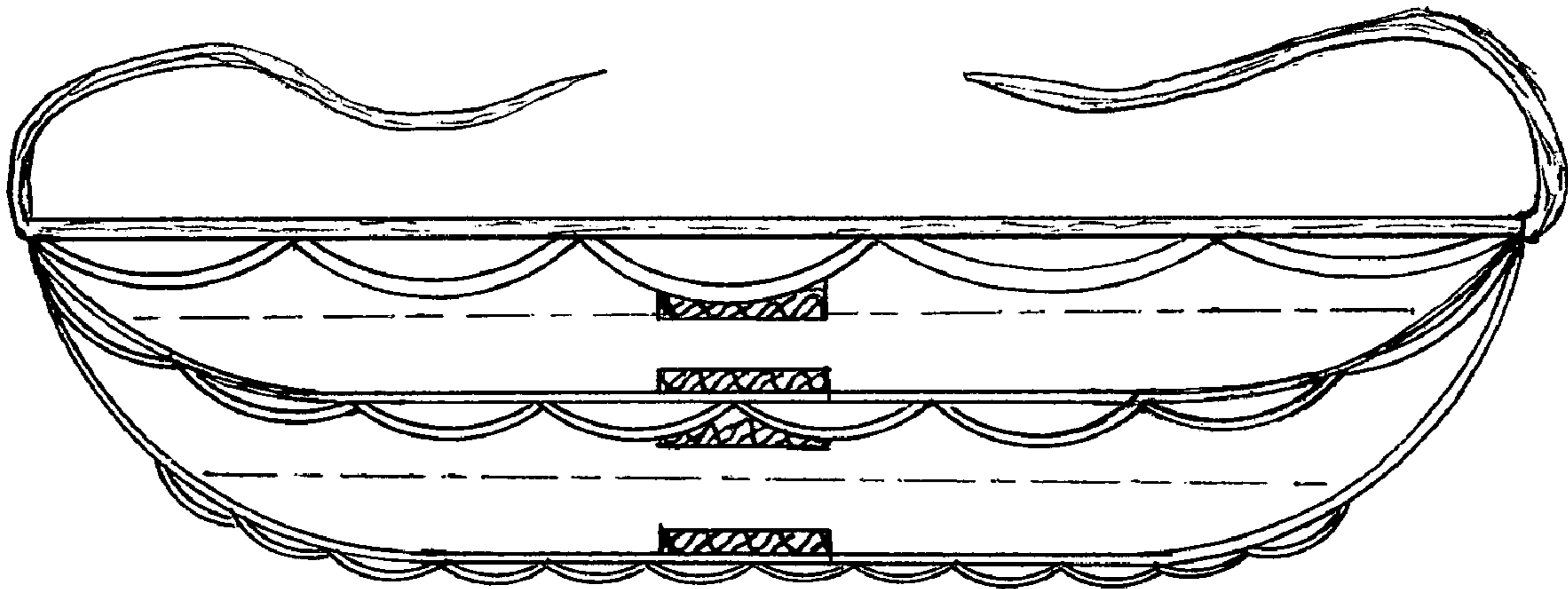


FIG. 5

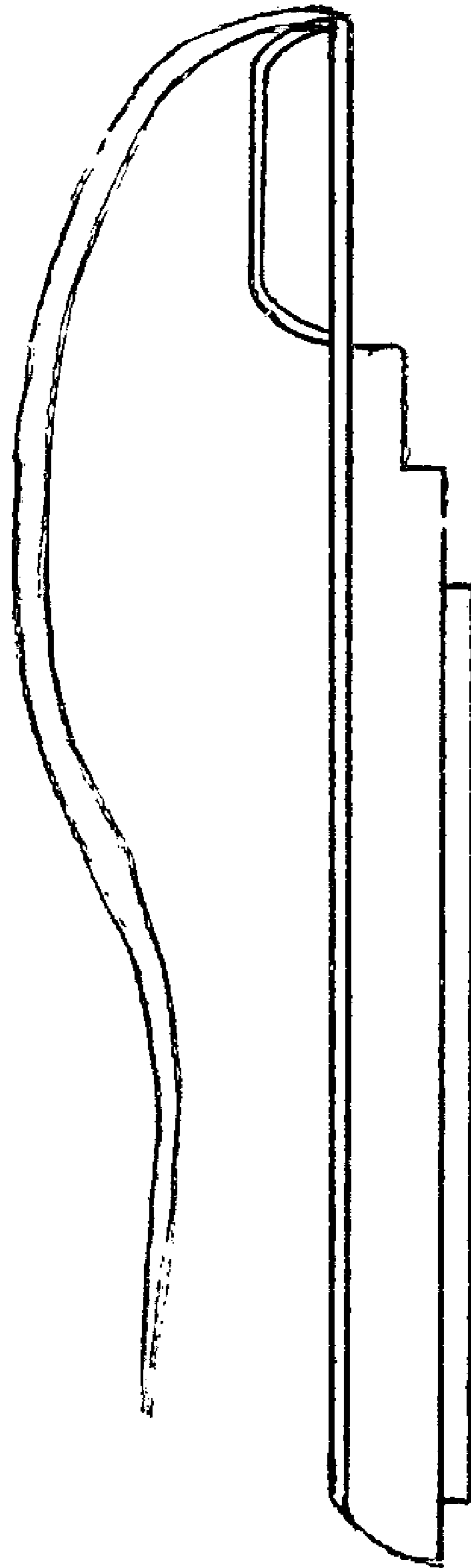


FIG. 6