



US00D549953S

(12) **United States Design Patent**
Sanchez

(10) **Patent No.:** **US D549,953 S**

(45) **Date of Patent:** **** Sep. 4, 2007**

(54) **DOME-SHAPED UMBRELLA**

(75) Inventor: **Javier A. Sanchez**, Miami, FL (US)

(73) Assignee: **Fior Enterprises, LLC**, Miami, FL (US)

(**) Term: **14 Years**

(21) Appl. No.: **29/272,379**

(22) Filed: **Feb. 7, 2007**

(51) **LOC (8) Cl.** **03-03**

(52) **U.S. Cl.** **D3/5**

(58) **Field of Classification Search** D3/5,
D3/6, 10-17; 135/15.1, 20.1, 20.2, 33.2,
135/33.4, 33.41, 33.7, 15, 16, 98, 99
See application file for complete search history.

(56) **References Cited**

U.S. PATENT DOCUMENTS

D47,179 S *	4/1915	Arnold	D3/5
D398,147 S *	9/1998	Vitali et al.	D3/5
D476,475 S *	7/2003	You	D3/5
D497,458 S *	10/2004	Nauert	D30/199

* cited by examiner

Primary Examiner—Louis S. Zarfes

Assistant Examiner—Anhdao Doan

(74) *Attorney, Agent, or Firm*—William P. Oberhardt

(57) **CLAIM**

The ornamental design for a dome-shaped umbrella, as shown and described.

DESCRIPTION

FIG. 1 is a perspective view of the dome-shaped umbrella showing my new design;

FIG. 2 is a front view of the dome-shaped umbrella of FIG. 1;

FIG. 3 is a left side view of the dome-shaped umbrella of FIG. 1;

FIG. 4 is a rear view of the dome-shaped umbrella of FIG. 1;

FIG. 5 is a right side view of the dome-shaped umbrella of FIG. 1;

FIG. 6 is a top view of the dome-shaped umbrella of FIG. 1; and,

FIG. 7 is a bottom view of the dome-shaped umbrella of FIG. 1.

1 Claim, 4 Drawing Sheets

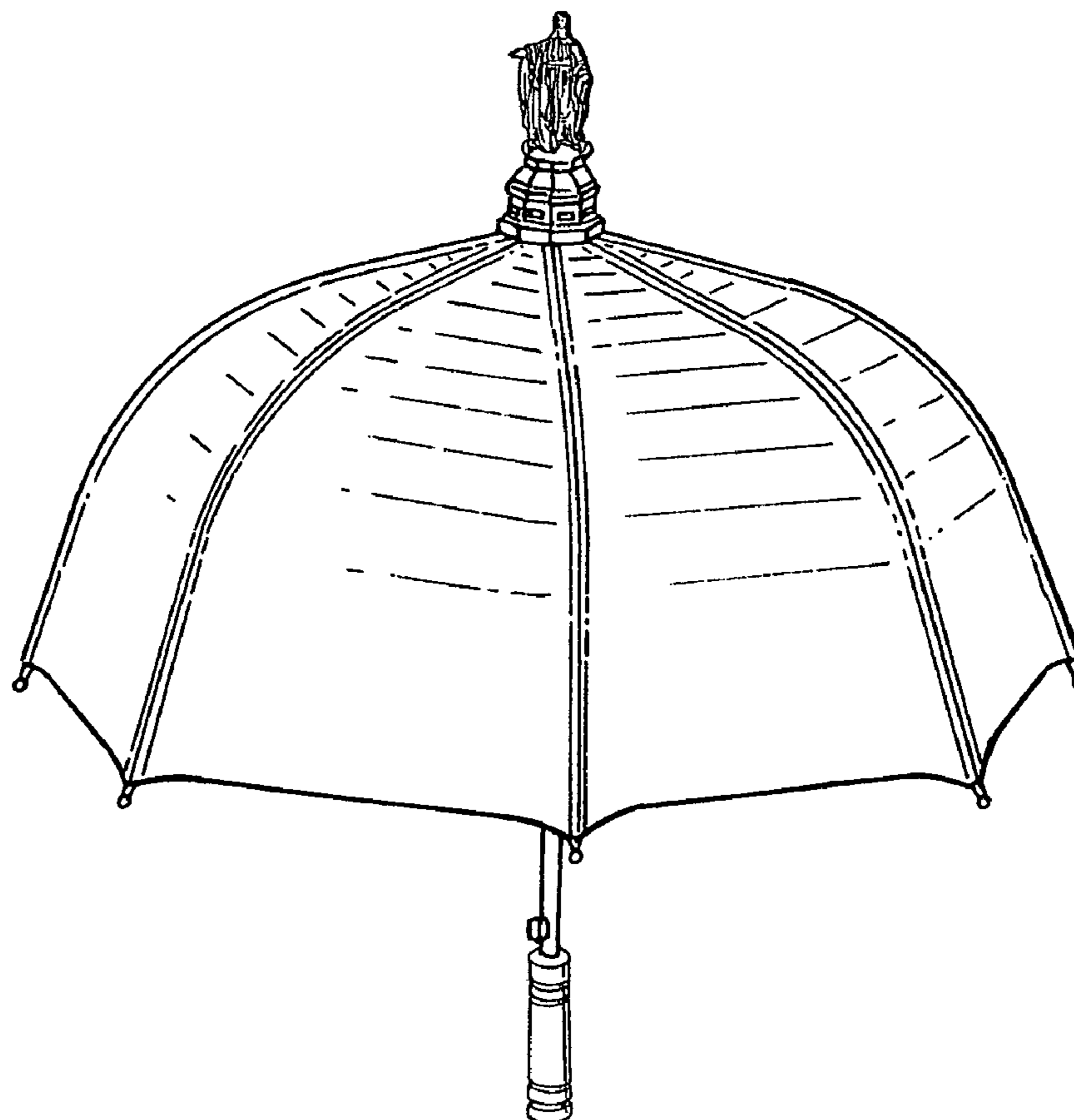


FIG. 1

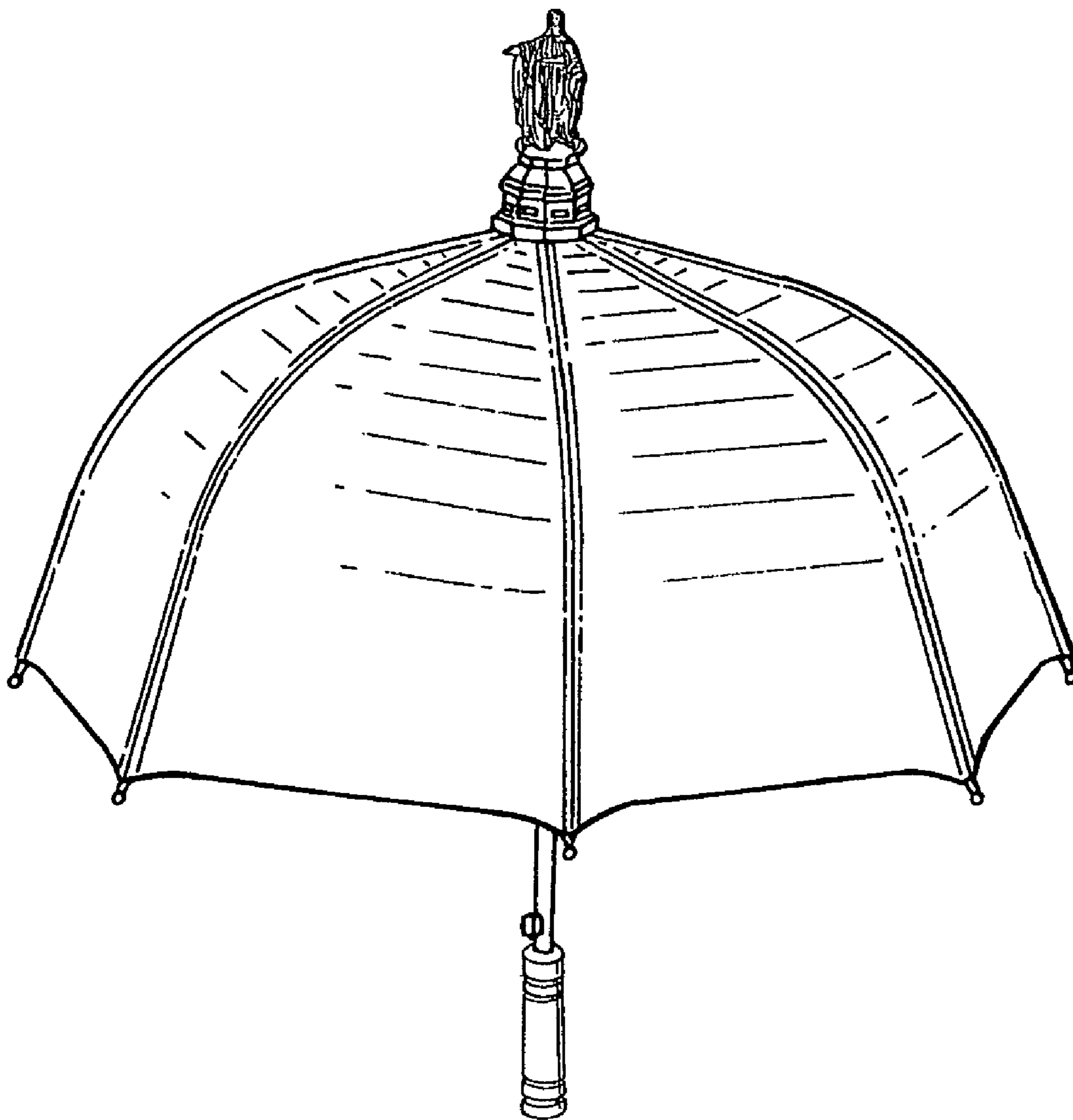


FIG. 3

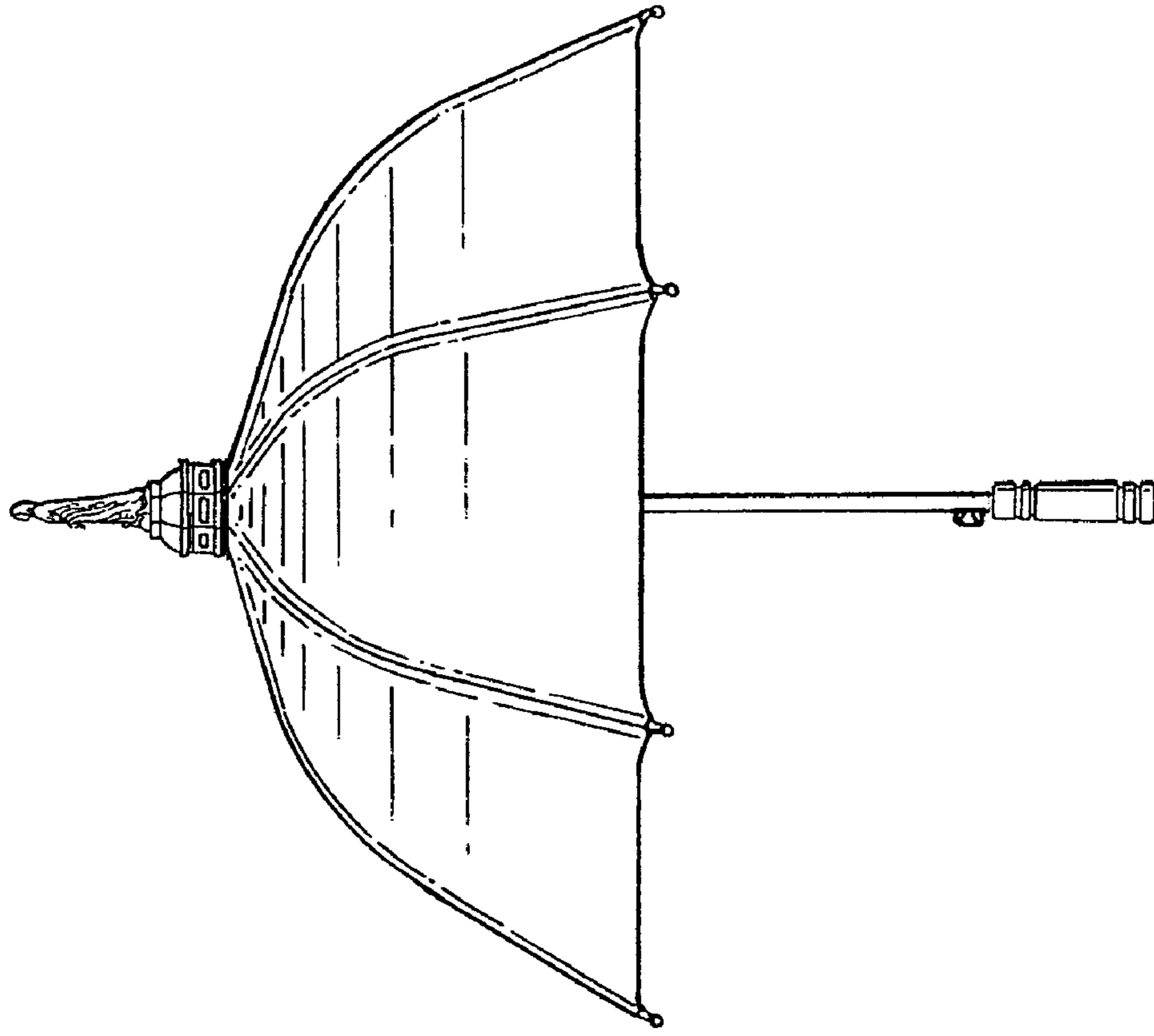


FIG. 2

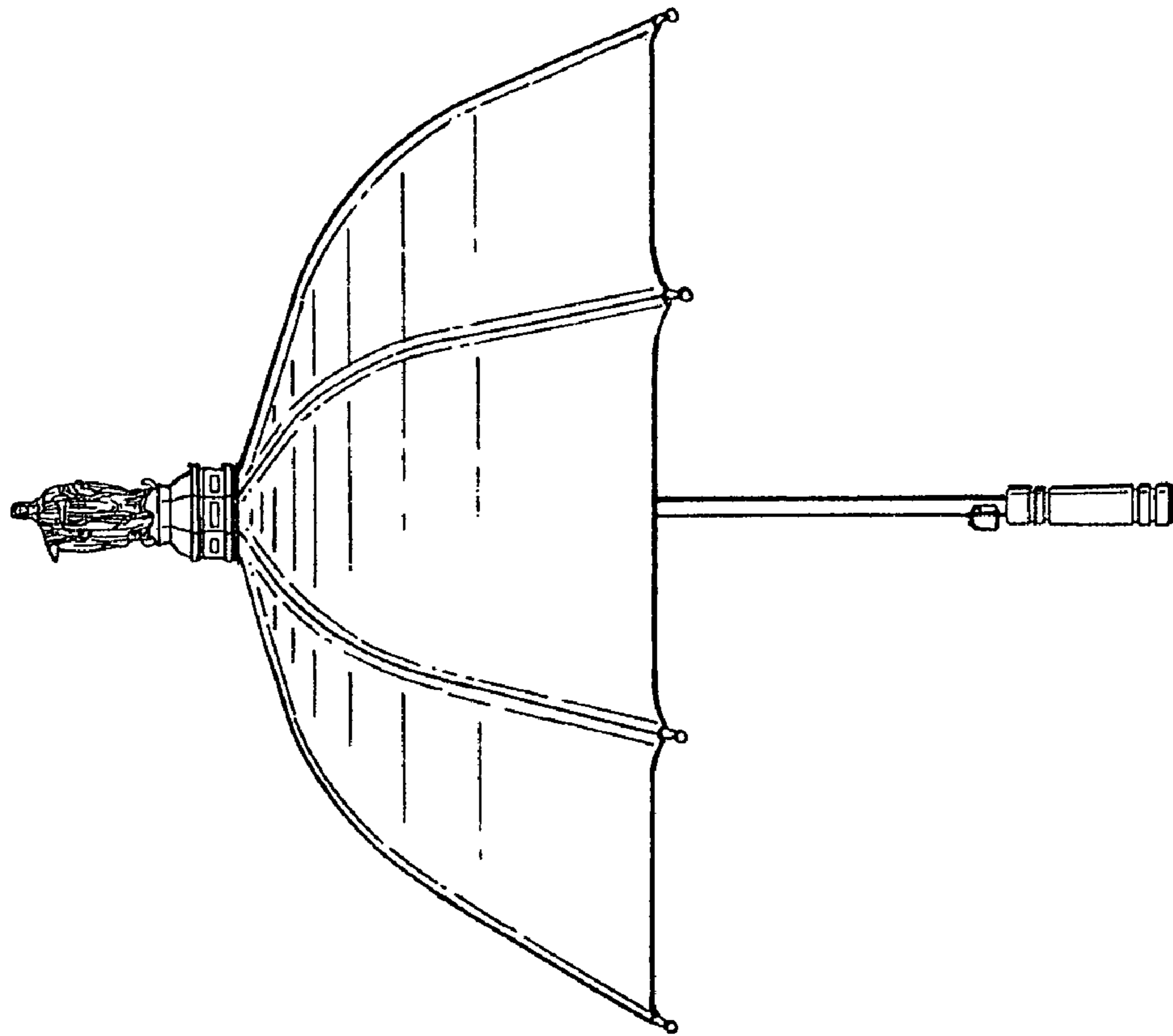


FIG. 5

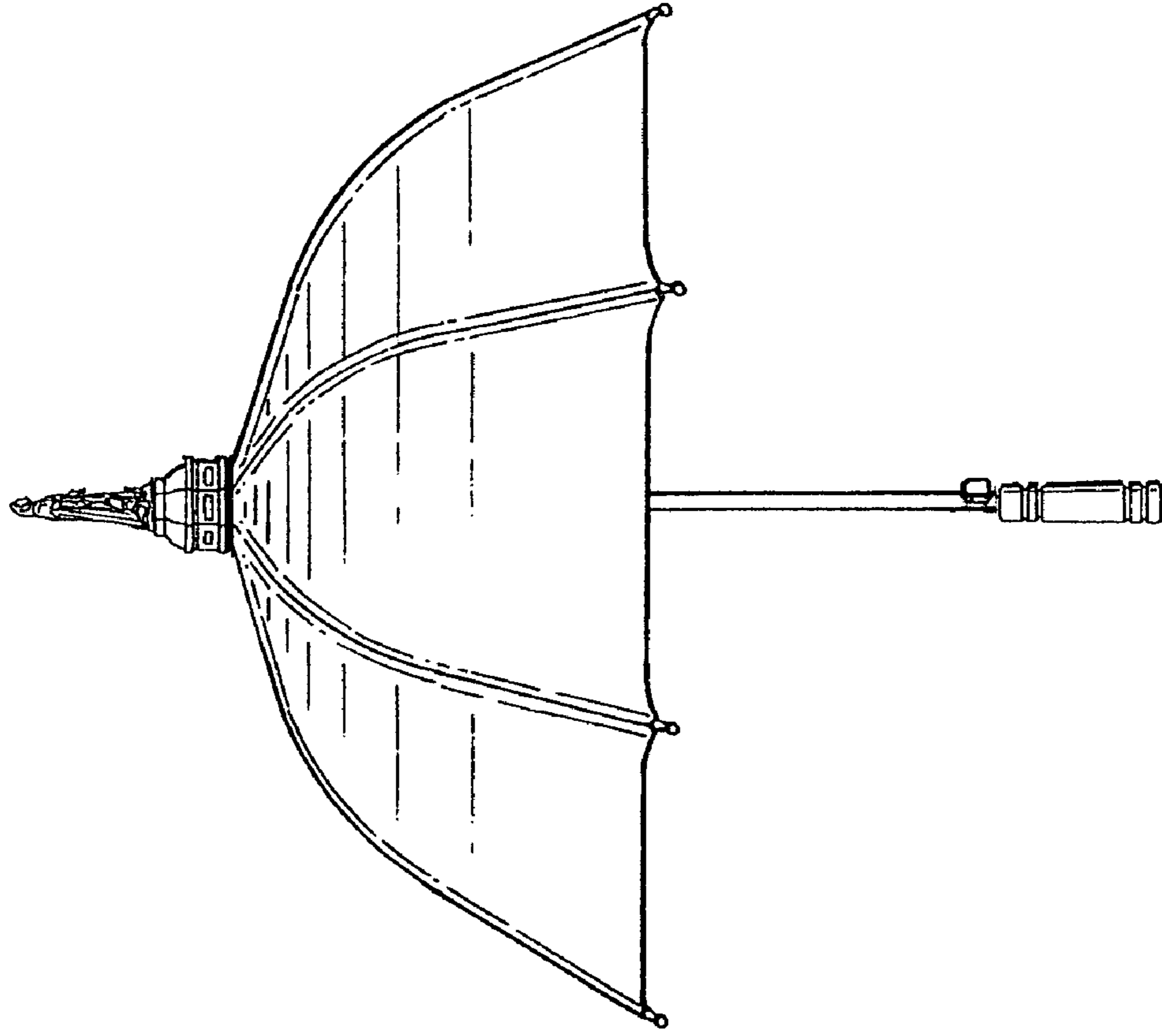


FIG. 4

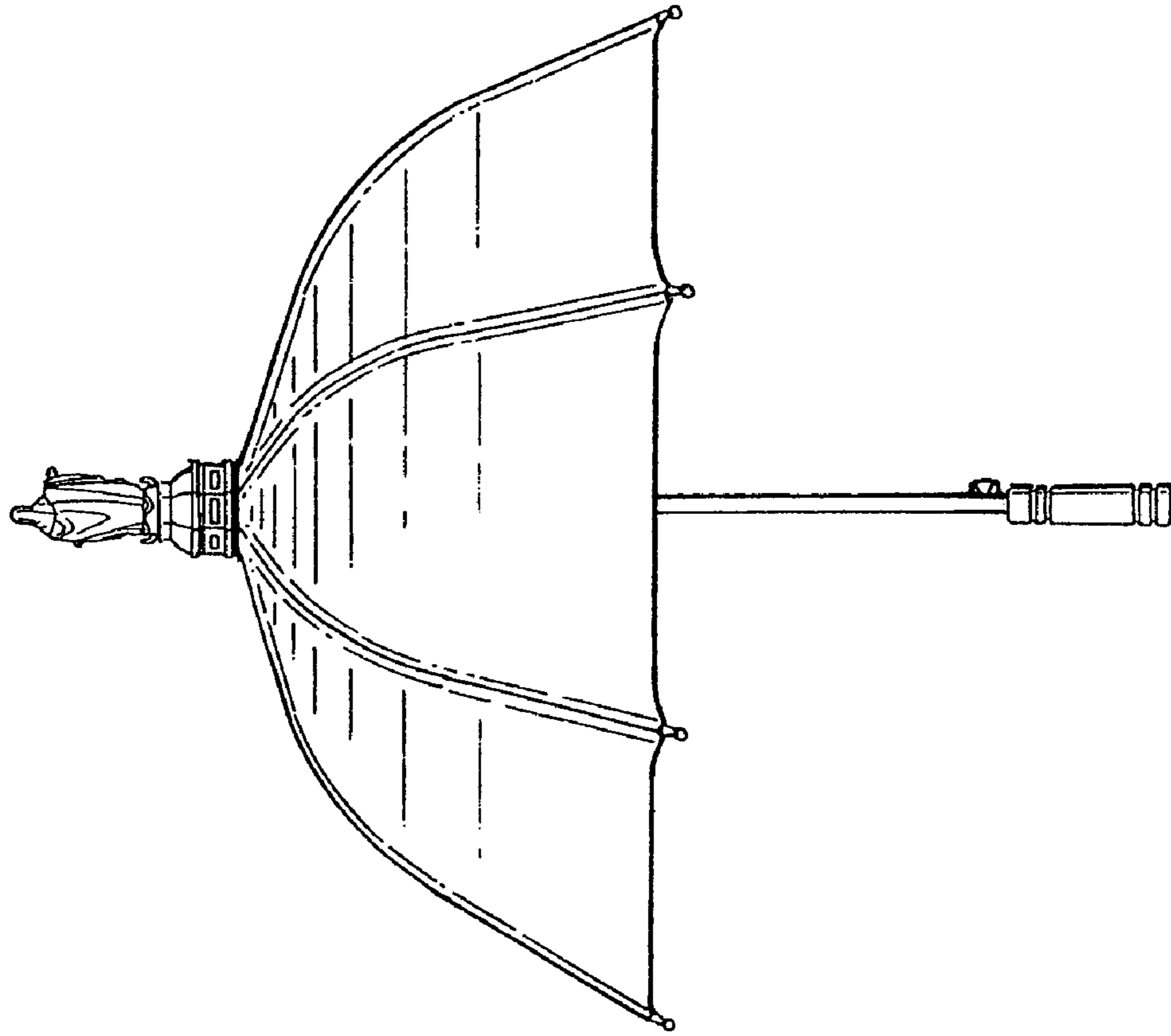


FIG. 6

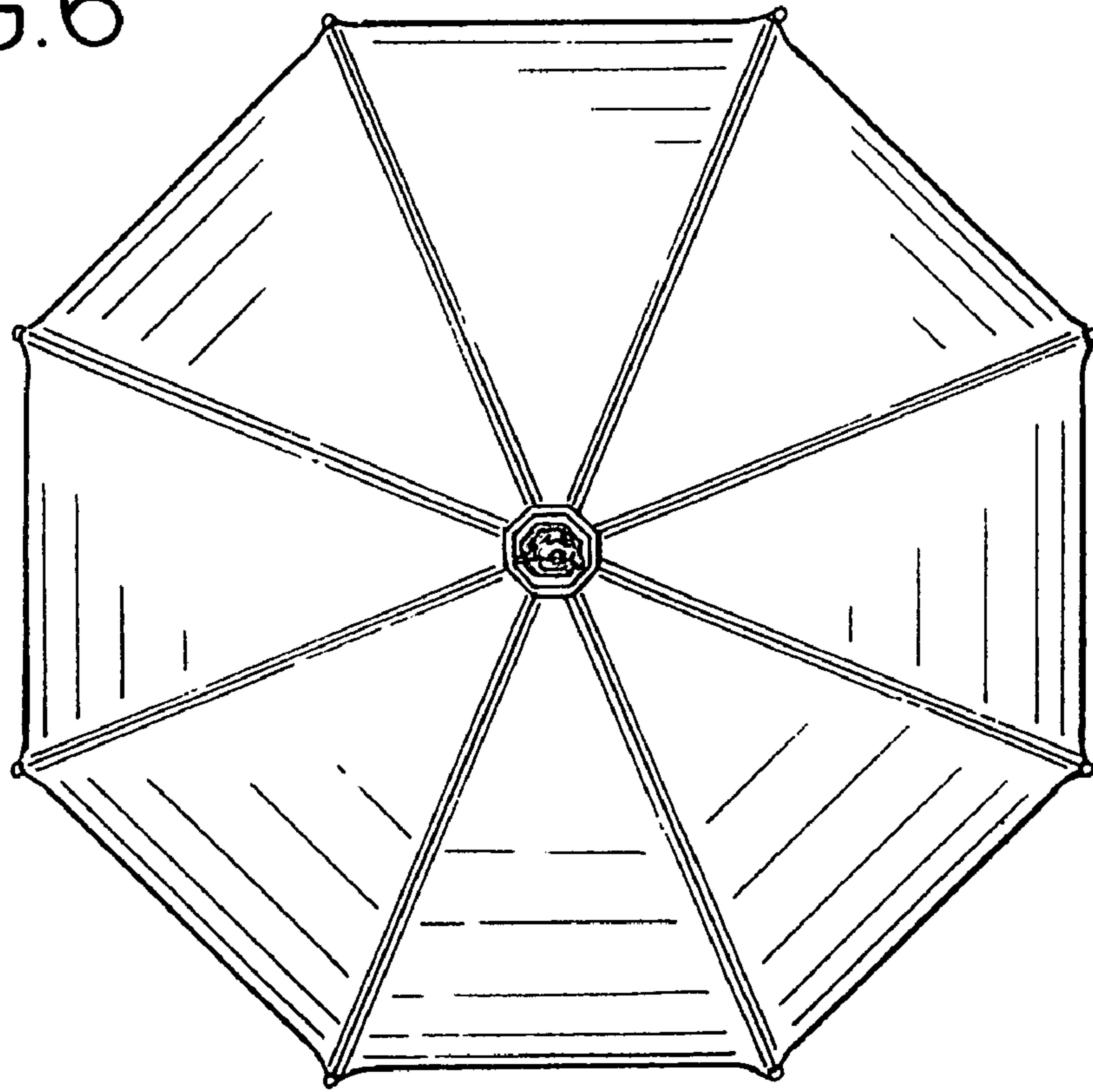


FIG. 7

