



US00D549924S

(12) **United States Design Patent**
Newbill

(10) **Patent No.:** **US D549,924 S**

(45) **Date of Patent:** **** Aug. 28, 2007**

(54) **MAILBOX SUPPORT**

5,307,598 A * 5/1994 West 52/155
D495,110 S * 8/2004 Sarich D99/30

(76) Inventor: **Anthony J. Newbill**, P.O. Box 21360,
Wickenburg, AZ (US) 85358

* cited by examiner

(**) Term: **14 Years**

Primary Examiner—Paula A. Greene
(74) *Attorney, Agent, or Firm*—James D. Givnan, Jr.

(21) Appl. No.: **29/262,018**

(57) **CLAIM**

(22) Filed: **Jun. 26, 2006**

The ornamental design for a mailbox support, as shown and described.

(51) **LOC (8) Cl.** **99-00**

(52) **U.S. Cl.** **D99/32**

(58) **Field of Classification Search** D99/28-33,
D99/43; 232/14, 17, 24, 29, 38, 39; 52/155,
52/165; 248/146, 156; D20/10, 43-44;
40/606.06

DESCRIPTION

See application file for complete search history.

FIG. 1 is a perspective view of the mailbox support;
FIG. 2 is a top plan view;
FIG. 3 is a bottom plan view;
FIG. 4 is a front elevational view;
FIG. 5 is a side elevational view; and,
FIG. 6 is a rear elevational view.

(56) **References Cited**

U.S. PATENT DOCUMENTS

- 1,495,741 A * 5/1924 Higdon, Jr. 40/606.06
- D230,774 S * 3/1974 Stevenson D99/32
- 4,951,904 A * 8/1990 Obenshain 248/156
- 5,022,618 A * 6/1991 Barrett et al. 248/146
- 5,207,402 A * 5/1993 Berry-Tremmel et al. .. 248/156

The broken lines are included for the purpose of illustration and form no part of the claimed design.

1 Claim, 2 Drawing Sheets

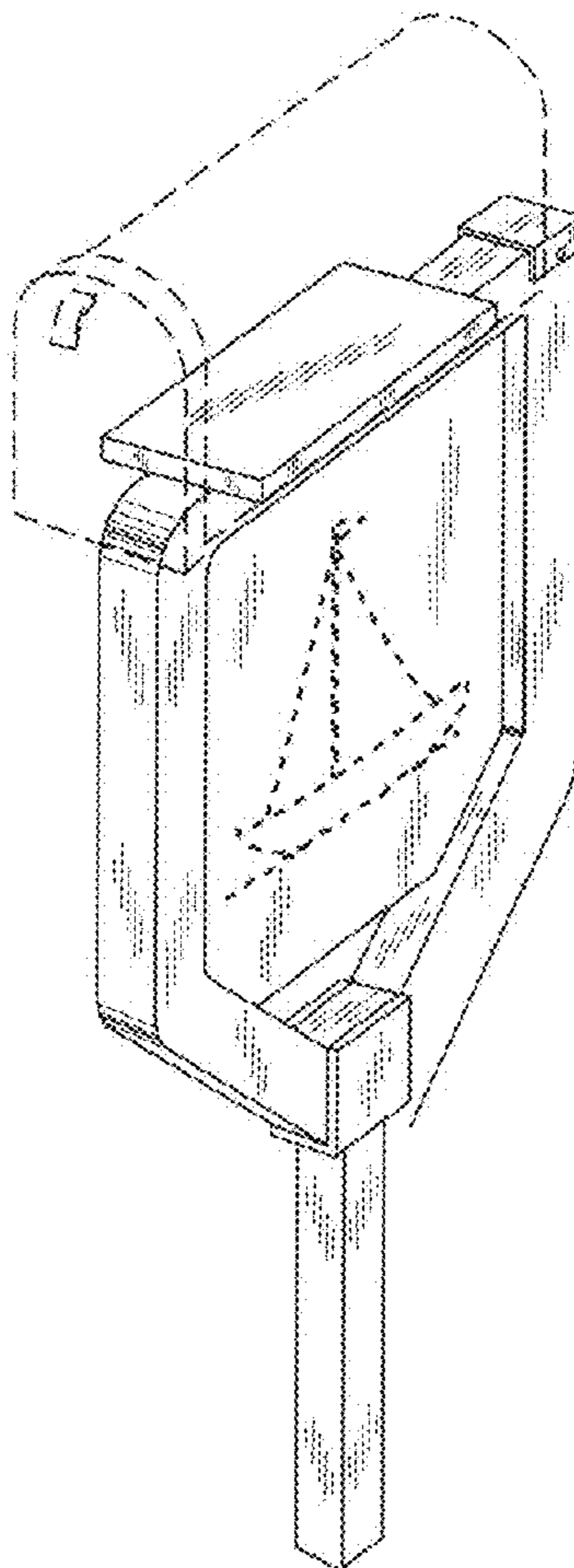


FIG. 1

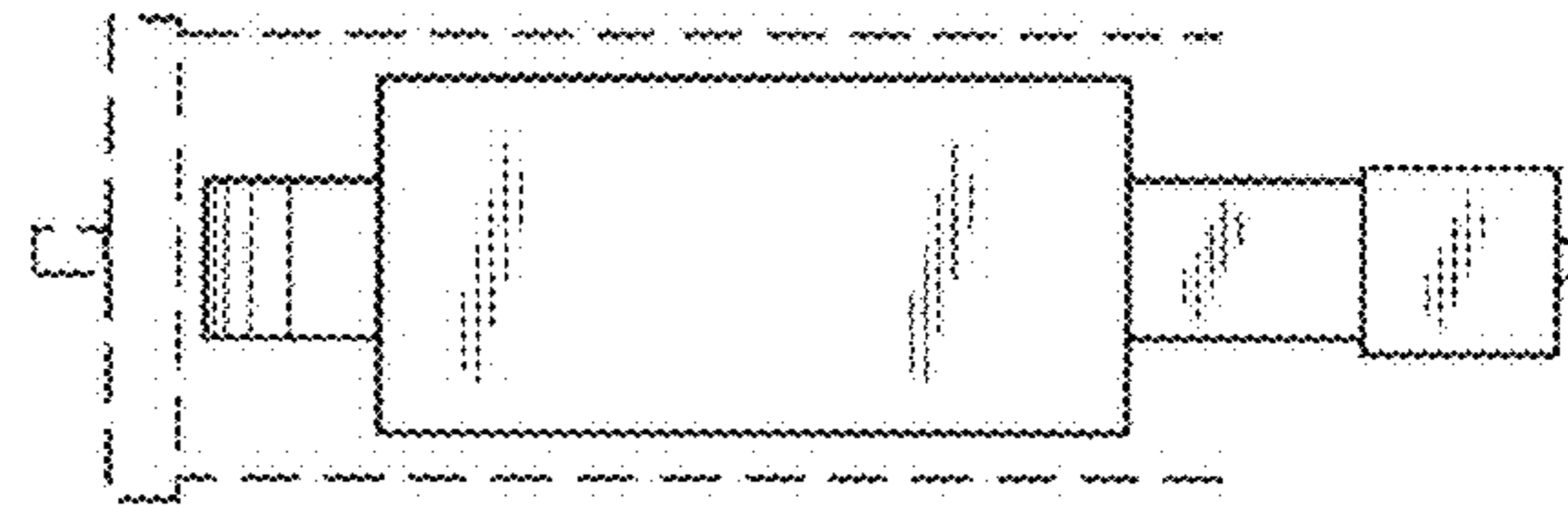
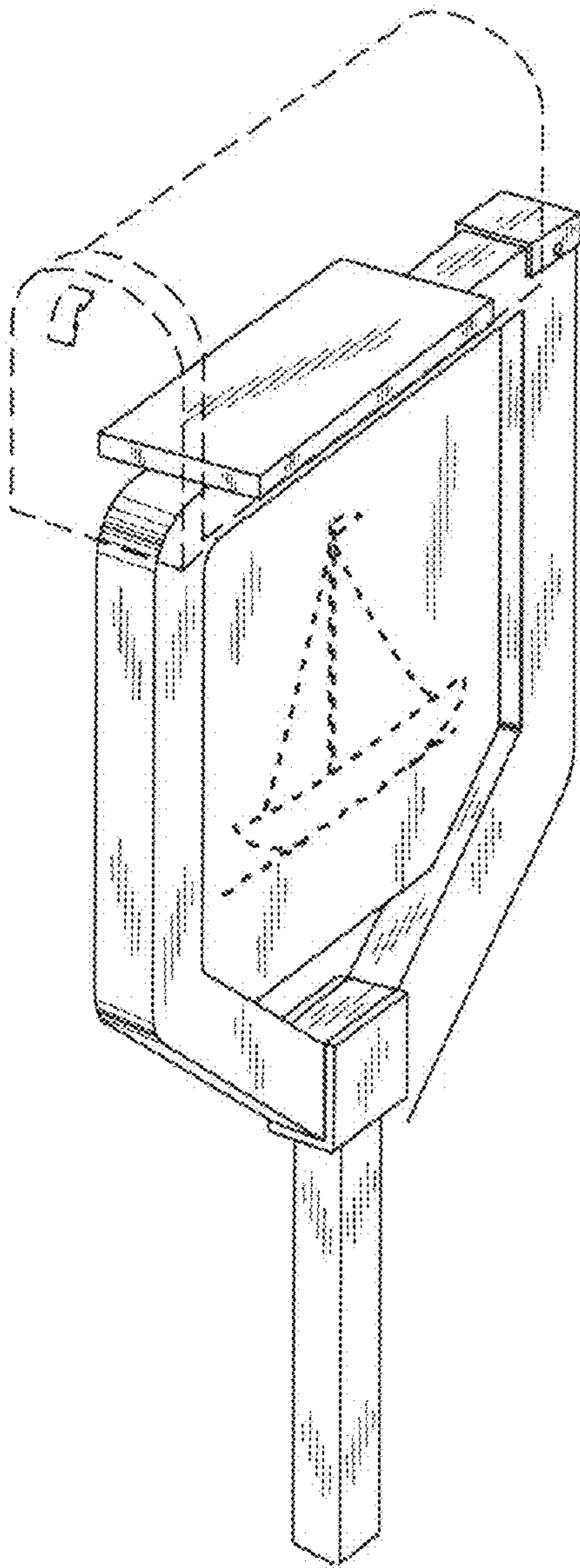


FIG. 2

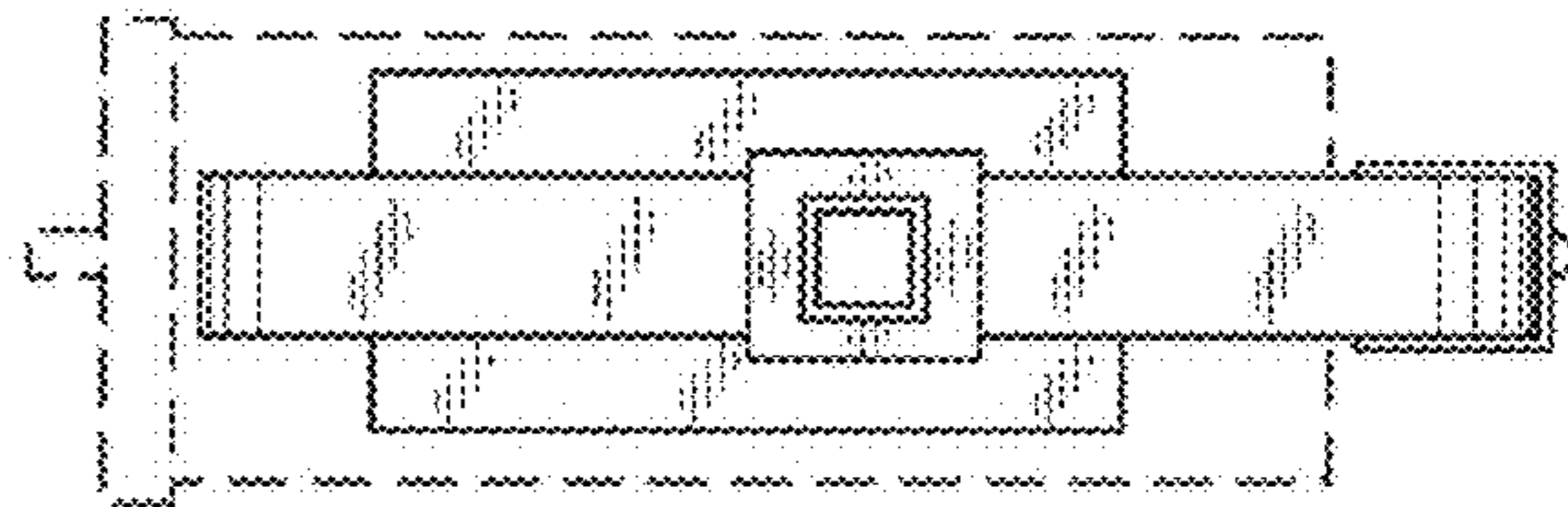


FIG. 3

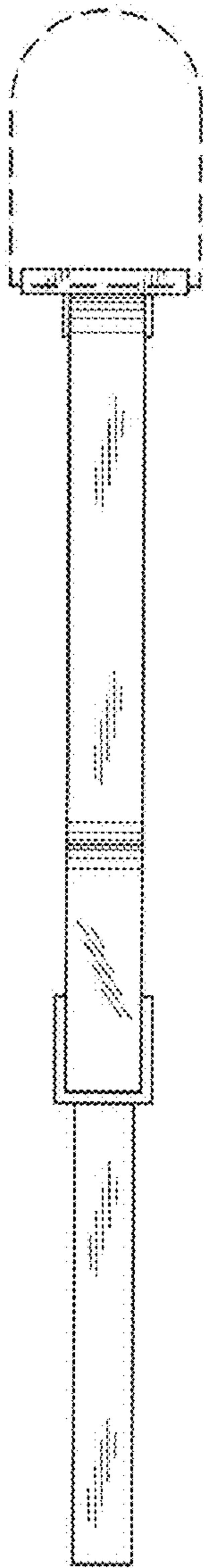


FIG. 4

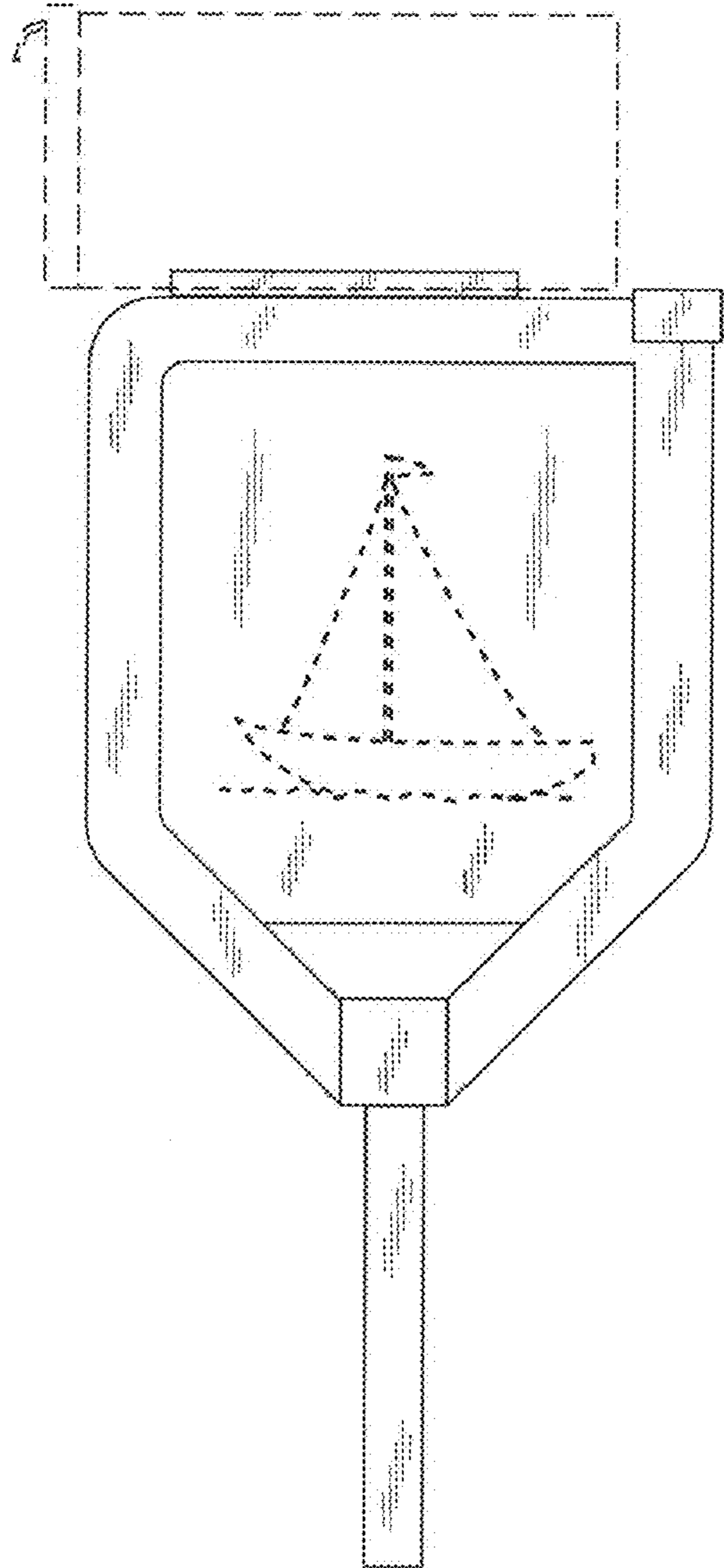


FIG. 5

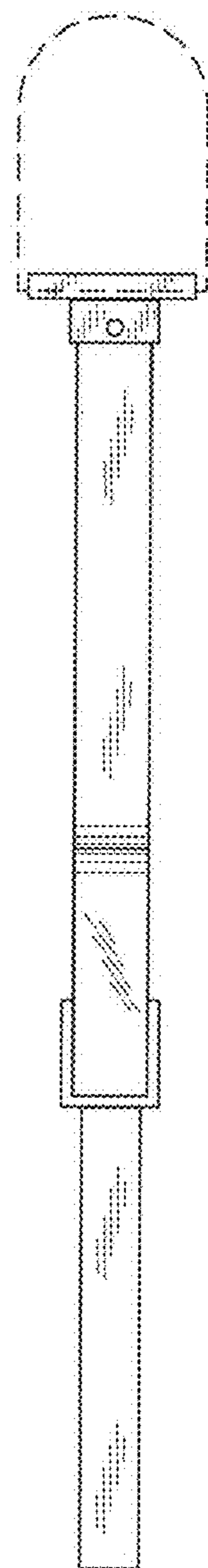


FIG. 6