



US00D549923S

(12) **United States Design Patent**  
**Newbill**

(10) **Patent No.:** **US D549,923 S**

(45) **Date of Patent:** **\*\* Aug. 28, 2007**

(54) **SUPPORT FOR A MAILBOX**

6,513,284 B1 \* 2/2003 Sandlin ..... 47/66.6  
D495,110 S \* 8/2004 Sarich ..... D99/30  
6,789,916 B2 \* 9/2004 Ruggles ..... 362/154

(76) Inventor: **Anthony J Newbill**, P.O. Box 21360,  
Wickenburg, AZ (US) 85358

(\*\*) Term: **14 Years**

\* cited by examiner

*Primary Examiner*—Paula A. Greene  
(74) *Attorney, Agent, or Firm*—James D. Givnan, Jr.

(21) Appl. No.: **29/261,991**

(22) Filed: **Jun. 26, 2006**

(57) **CLAIM**

(51) **LOC (8) Cl.** ..... **99-00**

The ornamental design for a support for a mailbox, as shown and described.

(52) **U.S. Cl.** ..... **D99/32**

(58) **Field of Classification Search** ..... D99/28–33,  
D99/43; 232/14, 17, 24, 29, 38, 39; 52/155,  
52/156; 248/146, 156; D20/10, 43–44;  
40/606.06; 362/154; 47/66.6

**DESCRIPTION**

See application file for complete search history.

FIG. 1 is a perspective view of the support for a mailbox;  
FIG. 2 is a top plan view;  
FIG. 3 is a bottom plan view;  
FIG. 4 is a front elevational view;  
FIG. 5 is a side elevational view; and,  
FIG. 6 is a rear elevational view.

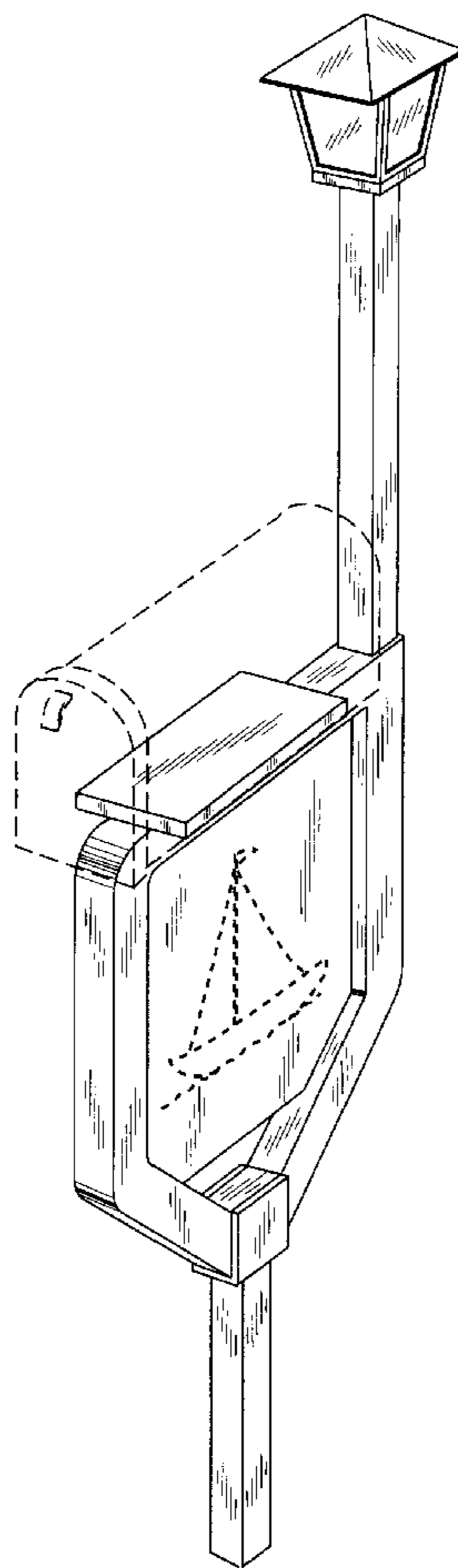
(56) **References Cited**

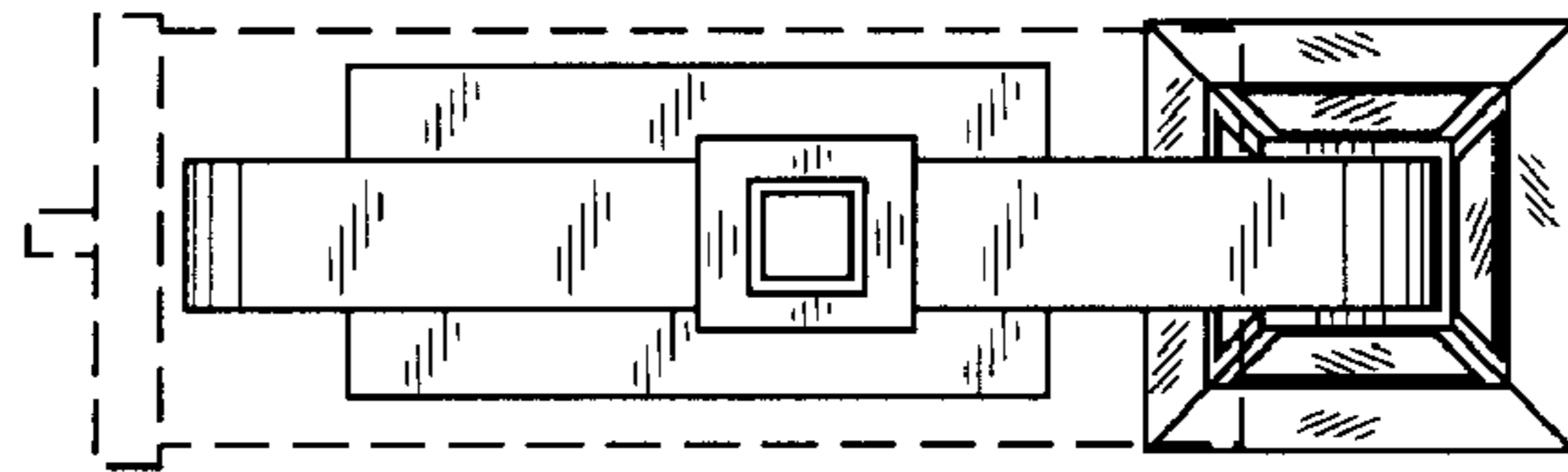
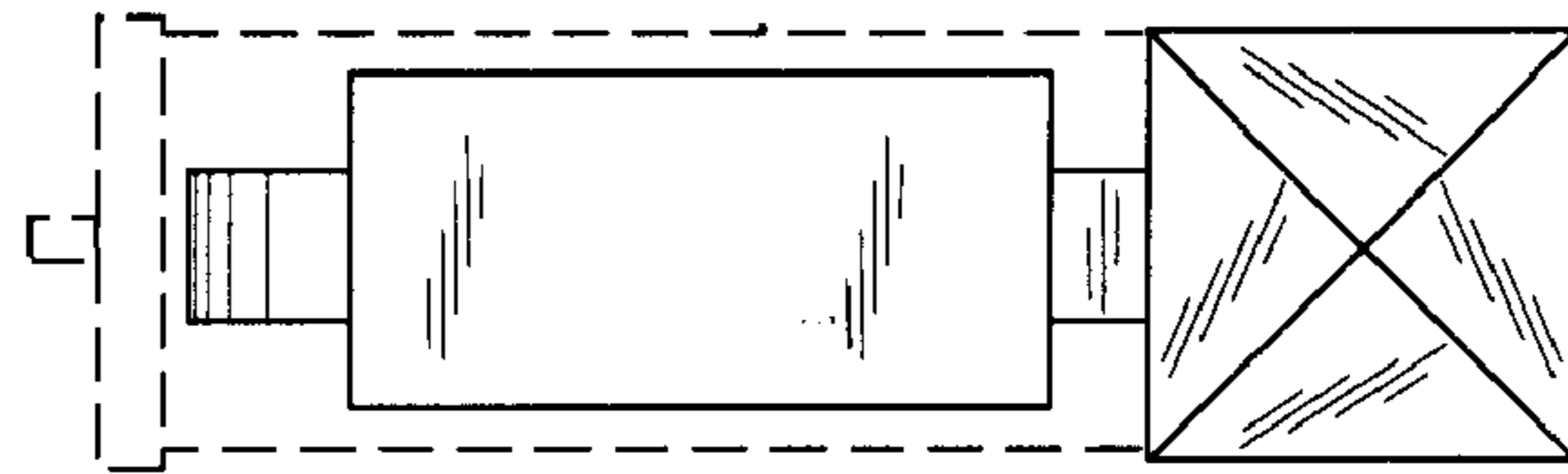
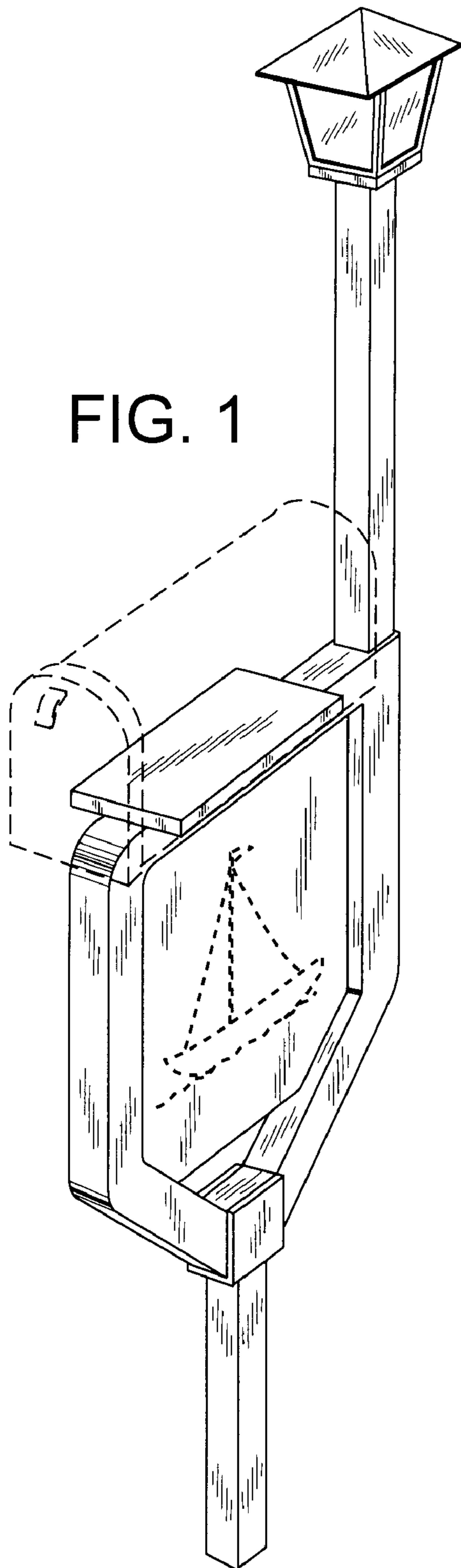
The broken lines are included for the purpose of illustration and form no part of the claimed design.

**U.S. PATENT DOCUMENTS**

- 1,495,741 A \* 5/1924 Higdon, Jr. .... 40/606.06
- D230,774 S \* 3/1974 Stevenson ..... D99/32
- 4,951,904 A \* 8/1990 Obenshain ..... 248/156
- 5,022,618 A \* 6/1991 Barrett et al. .... 248/146
- 5,207,402 A \* 5/1993 Berry-Tremmel et al. .. 248/156
- 5,307,598 A \* 5/1994 West ..... 52/155

**1 Claim, 2 Drawing Sheets**





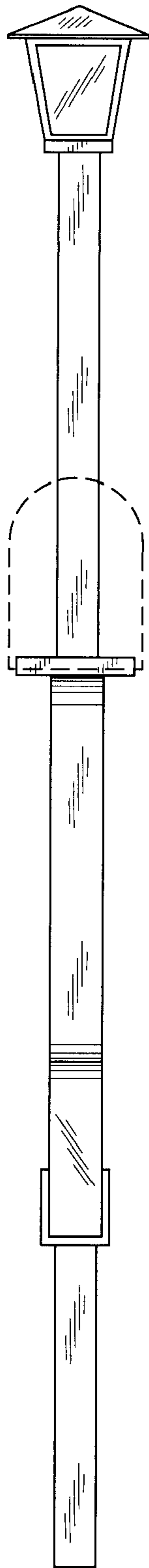


FIG. 4

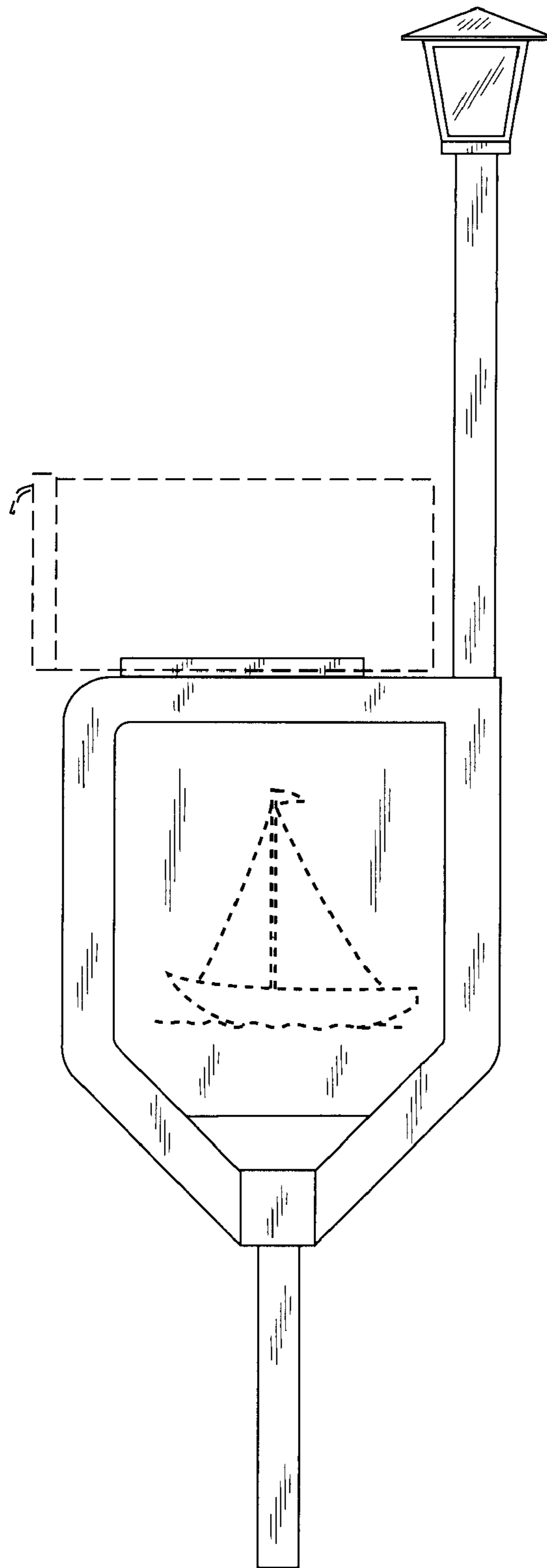


FIG. 5

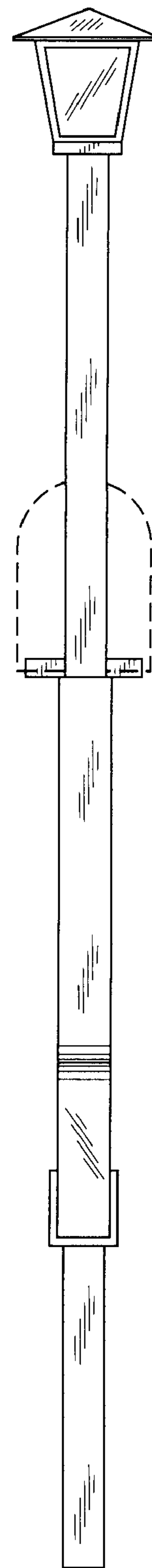


FIG. 6